



产品编号 : 5023511100

系列号 : 502351

Product Category : Connector Housings

Product Description : DuraClik Wire-to-Board Receptacle Housing, Single Row, 11 Circuits, Natural

状态 : Active

文件和资源

图纸

图纸 5023511100_sd.pdf

3D 模型和设计文件

3D模型 5023511100_stp.zip

规格


包装规格 PK-502351-001-001.pdf

产品规格 PS-502351-002-001.pdf

产品规格 PS-502351-001-001.pdf

产物环境合规

合规

GADSL/IMDS	Duty-To-Declare
China RoHS	
EU ELV	Compliant per 2000/53/EC
Low-Halogen Status	Not Low-Halogen per IEC 61249-2-21
REACH SVHC	Not Contained per D(2023)8585-DC (23 Jan 2024)
EU RoHS	Compliant per EU 2015/863

多部分产品合规性声明

- Eu RoHS
- REACH SVHC
- Low-Halogen

- IPC 1752A Class C
- IPC 1752A Class D
- Molex Product Compliance Declaration
- IEC-62474

产品详情

常规

状态	活动
类别	Connector Housings
系列	502351
说明	DuraClik Wire-to-Board Receptacle Housing, Single Row, 11 Circuits, Natural
应用	Automotive, Signal, Wire-to-Board
个评论	Molex part has an inner-locking system versus an outer-locking system. Molex part with tail protection feature.
产品系列	DuraClik Connector System
产品名称	DuraClik
UPC	887191657004

物理

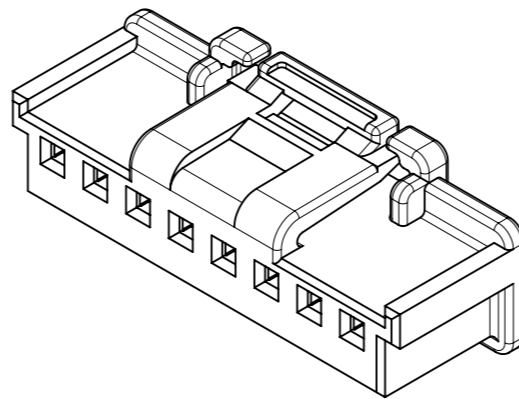
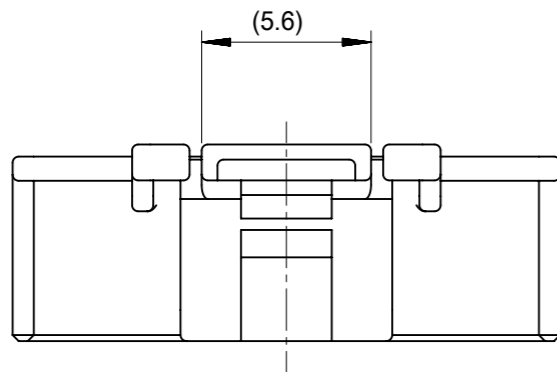
电路数 (最多)	11
颜色-树脂	Natural
性别	Receptacle
符合灼热丝规范	否
插接极性	是
锁定插接部位	是
净重	0.419/g
行数	1
包装形式	Bag
面板安装式	否
间距 - 插配接口	2.00mm
有极性的插配件	是
运行温度范围	-40° to +105° C

可配插部件

描述	产品编号
DuraClik Right-Angle Single Row Headers	<u>502352</u>
DuraClik Vertical Single Row Headers	<u>560020</u>

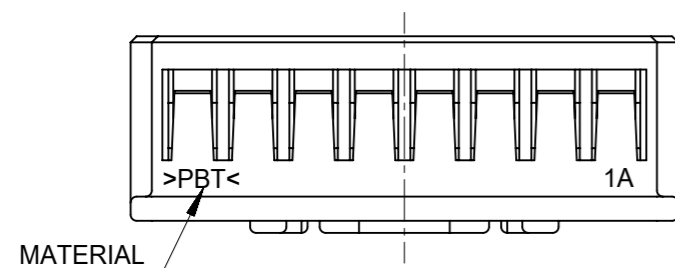
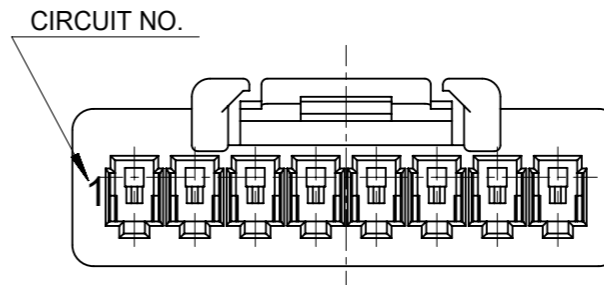
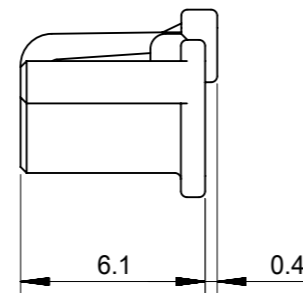
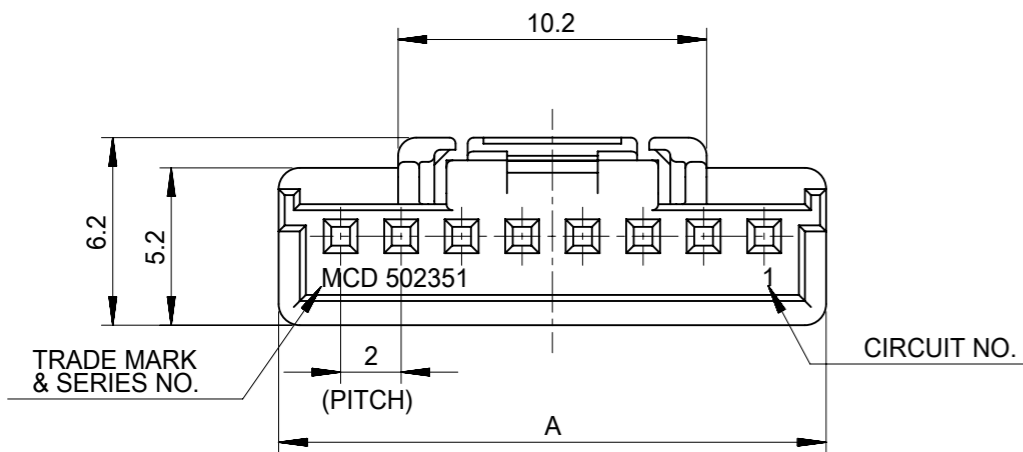
可连接使用部件

描述	产品编号
Pre-Crimped Lead DuraClik Female-to-DuraClik Female, Tin (Sn) Plating, 150.00mm Length, 26 AWG, Black	<u>/content/molex/molex-dot-com/cn/zh/products/product-page.html/797581008.html</u>
Pre-Crimped Lead DuraClik Female-to-DuraClik Female, Tin (Sn) Plating, 300.00mm Length, 26 AWG, Black	<u>/content/molex/molex-dot-com/cn/zh/products/product-page.html/797581009.html</u>
DuraClik Female Crimp Terminals	<u>560085</u>
Micro-Latch Female Crimp Terminals	<u>50212</u>
DuraClik Female Terminals	<u>56161</u>



NOTES

- 1 . 材質 : PBT UL94V-0
MATERIAL: PBT UL94V-0
- 2 . 色 : 白、黒
COLOR: WHITE, BLACK
- 3 . 適合端子 : 50212, 50372, 56161, 560085シリーズ
APPLICABLE TERMINAL: 50212, 50372, 56161, 560085 SERIES
- 4 . 嵌合相手 : 502352, 560020シリーズ
MATES WITH: 502352, 560020 SERIES
- 5 . ELV及びRoHS適合品
ELV AND RoHS COMPLIANT
- 6 . 一般公差
GENERAL TOLERANCES
10 UNDER: ±0.2
10 OVER 30 UNDER: ±0.25
30 OVER: ±0.3
ANGULAR: ±3°



8CKTS

BLACK	32.1	502351-1501	15	NATURAL	32.1	502351-1500	15
	30.1	502351-1401	14		30.1	502351-1400	14
	28.1	502351-1301	13		28.1	502351-1300	13
	26.1	502351-1201	12		26.1	502351-1200	12
	24.1	502351-1101	11		24.1	502351-1100	11
	22.1	502351-1001	10		22.1	502351-1000	10
	20.1	502351-0901	9		20.1	502351-0900	9
	18.1	502351-0801	8		18.1	502351-0800	8
	16.1	502351-0701	7		16.1	502351-0700	7
	14.1	502351-0601	6		14.1	502351-0600	6
	12.1	502351-0501	5		12.1	502351-0500	5
	10.1	502351-0401	4		10.1	502351-0400	4
	8.1	502351-0301	3		8.1	502351-0300	3
8.0	502351-0201	2	8.0	502351-0200	2		
COLOR	A	MATERIAL NO.	CKTS	COLOR	A	MATERIAL NO.	CKTS

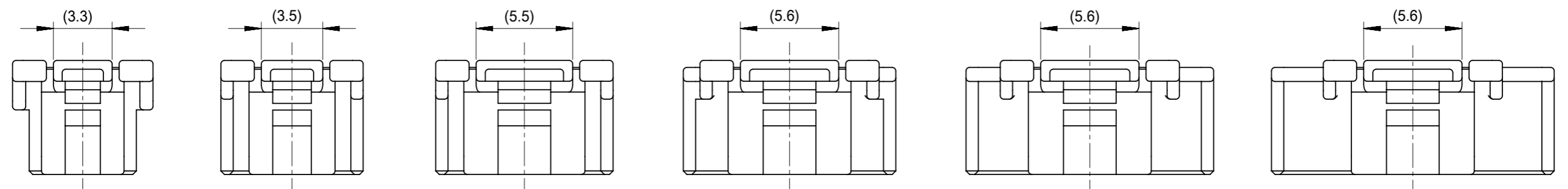
THIS DRAWING CONTAINS INFORMATION THAT IS PROPRIETARY TO MOLEX ELECTRONIC TECHNOLOGIES, LLC AND SHOULD NOT BE USED WITHOUT WRITTEN PERMISSION

DIMENSION UNITS	SCALE	CURRENT REV DESC:		molex			
mm	4:1						
GENERAL TOLERANCES (UNLESS SPECIFIED)		EC NO: 628767		2.0MM PITCH			
ANGULAR TOL ± °		DRWN: MSATO08 2019/12/09		WIRE TO BOARD CONN. RECEPTACLE HOUSING			
4 PLACES ±		CHK'D: HIJIMA 2019/12/10		PRODUCT CUSTOMER DRAWING			
3 PLACES ±		APPR: TOSADA 2019/12/13		DOCUMENT NUMBER			
2 PLACES ±		INITIAL REVISION:		SD-502351-001		DOC TYPE	
1 PLACE ±		DRWN: SHSHIBATA 2008/01/23		PSD		DOC PART	
0 PLACES ±		APPR: AKANESHIGE 2008/04/23		001		REVISION	
DRAFT WHERE APPLICABLE MUST REMAIN WITHIN DIMENSIONS		THIRD ANGLE PROJECTION		SERIES		SHEET NUMBER	
		DRAWING		502351		1 OF 3	
		A3-SIZE		MATERIAL NUMBER		CUSTOMER	
				SEE CHART		GENERAL MARKET	

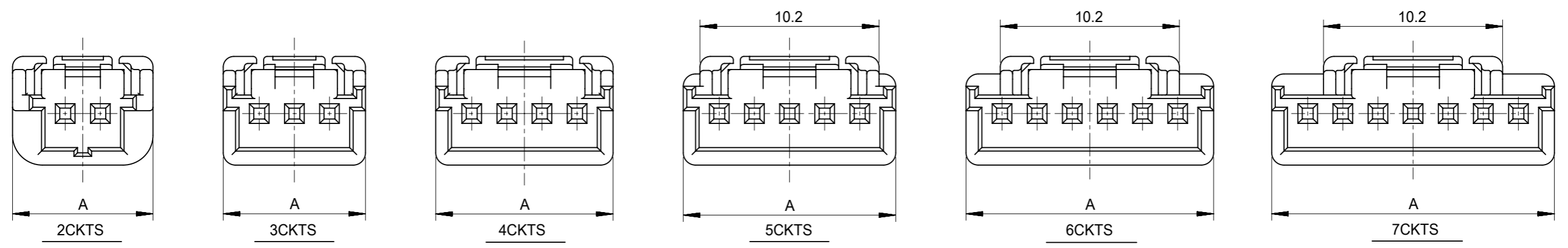
INITIAL REVISION:
 DRWN SHSHIBATA 2007/12/18
 CHECK HKOMATSU 2007/12/18
 APPR MAYAMAMOTO 2010/12/02

9 8 7 6 5 4 3 2 1

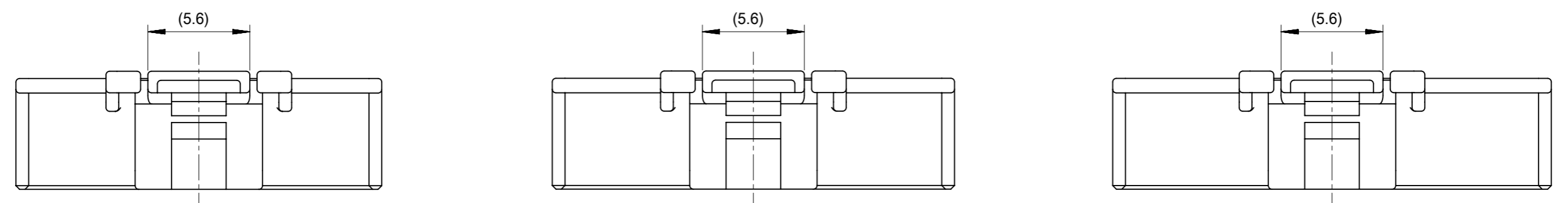
E



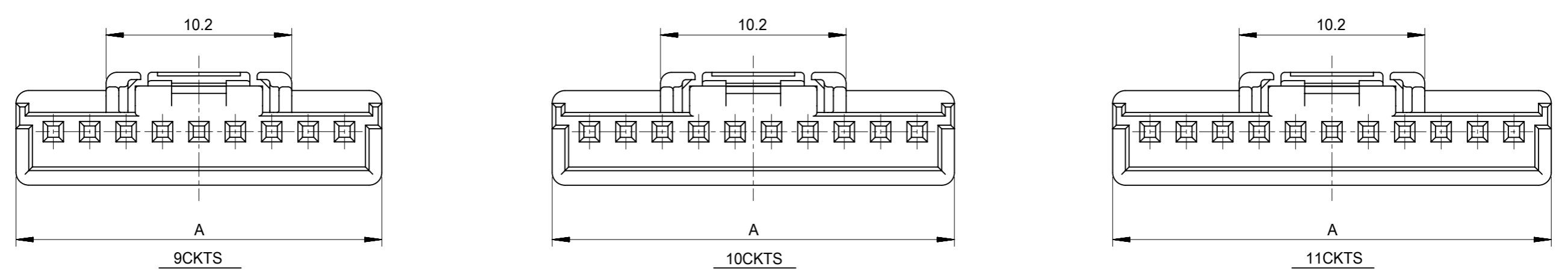
D



C



B



A

THIS DRAWING CONTAINS INFORMATION THAT IS PROPRIETARY TO MOLEX ELECTRONIC TECHNOLOGIES, LLC AND SHOULD NOT BE USED WITHOUT WRITTEN PERMISSION											
DIMENSION UNITS		SCALE		CURRENT REV DESC:						molex	
mm		4:1									
GENERAL TOLERANCES (UNLESS SPECIFIED)				EC NO: 628767		DRWN: MSATO08		2019/12/09		2.0MM PITCH	
ANGULAR TOL ±				DRWN: SHSHIBATA		CHK'D: HIJIMA		2019/12/10		WIRE TO BOARD CONN. RECEPTACLE HOUSING	
4 PLACES ±				APPR: TOSADA		2019/12/13		PRODUCT CUSTOMER DRAWING			
3 PLACES ±				INITIAL REVISION:		DRWN: SHSHIBATA		2008/01/23		DOCUMENT NUMBER	
2 PLACES ±				1 PLACE ±		APPR: AKANESHIGE		2008/04/23		SD-502351-001	
1 PLACE ±				0 PLACES ±		THIRD ANGLE PROJECTION		DRAWING		DOC TYPE	
DRAFT WHERE APPLICABLE				MUST REMAIN WITHIN DIMENSIONS		A3-SIZE		SERIES		DOC PART	
						502351		MATERIAL NUMBER		REVISION	
						SEE CHART		CUSTOMER		J1	
						GENERAL MARKET		SHEET NUMBER		2 OF 3	

INITIAL REVISION:
 DRWN SHSHIBATA 2007/12/18
 CHECK HKOMATSU 2007/12/18
 APPR MAYAMAMOTO 2010/12/02

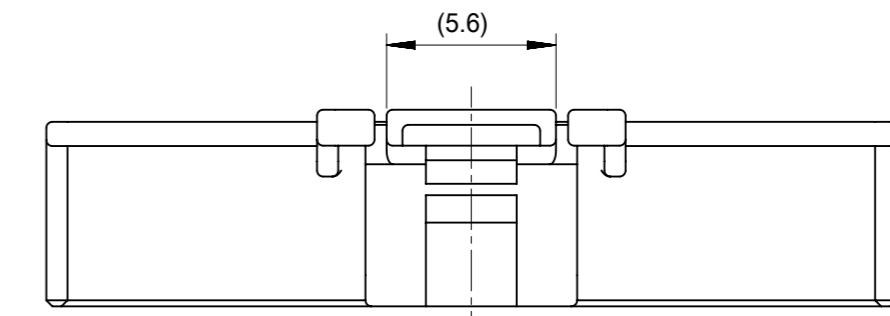
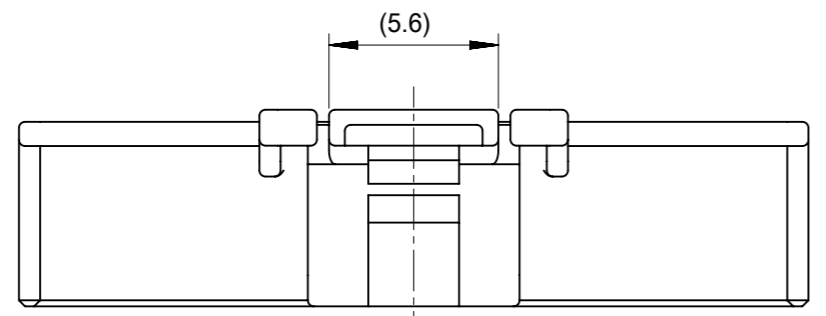
DOCUMENT STATUS P1 RELEASE DATE 2019/12/13 01:19:57

9 8 7 6 5 4 3 2 1

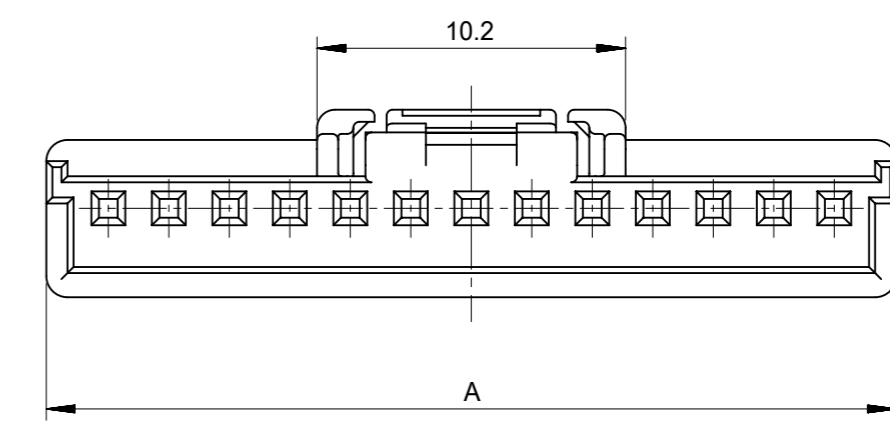
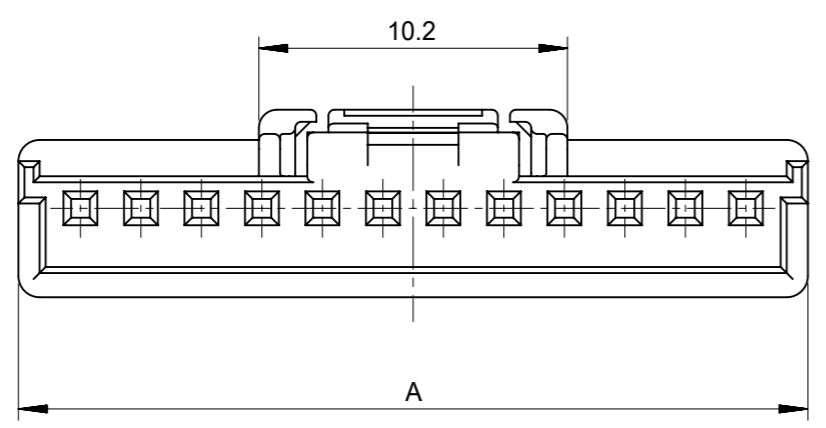
FORMAT: master-ib-prod-A3
 REVISION: 11
 DATE: 2018/01/18

9 8 7 6 5 4 3 2 1

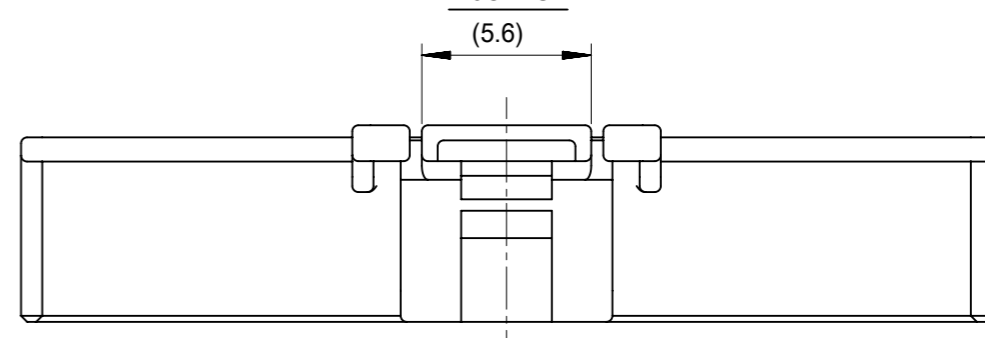
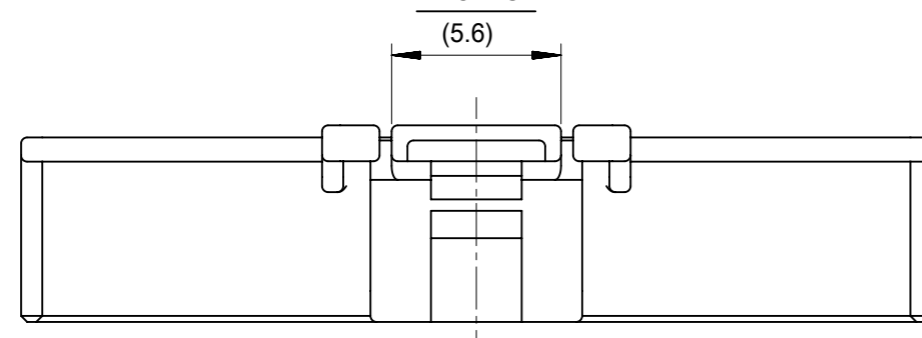
E



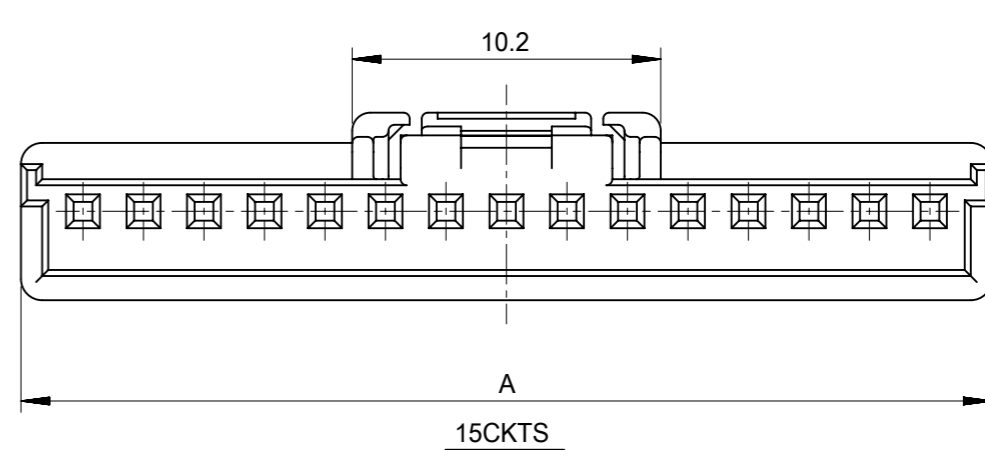
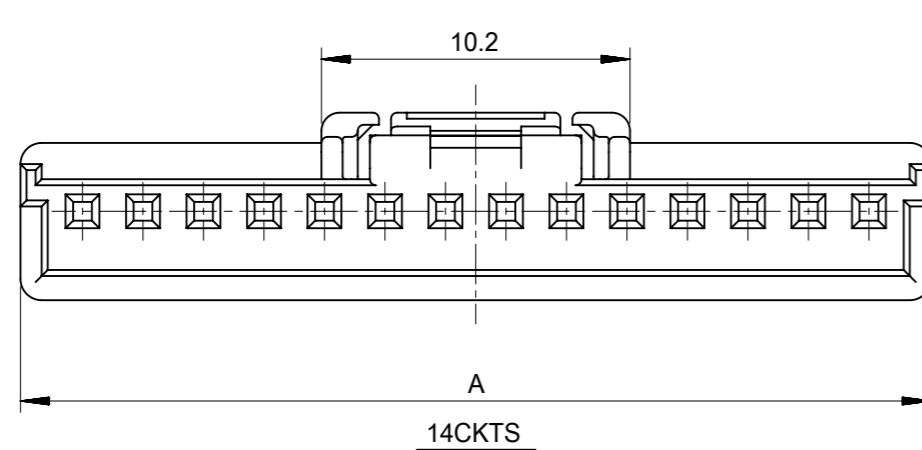
D



C



B



A

THIS DRAWING CONTAINS INFORMATION THAT IS PROPRIETARY TO MOLEX ELECTRONIC TECHNOLOGIES, LLC AND SHOULD NOT BE USED WITHOUT WRITTEN PERMISSION											
DIMENSION UNITS		SCALE		CURRENT REV DESC:						molex	
mm		4:1									
GENERAL TOLERANCES (UNLESS SPECIFIED)				EC NO: 628767		DRWN: MSATO08		2019/12/09		2.0MM PITCH	
ANGULAR TOL ± °				DRWN: SHSHIBATA		CHK'D: HIJIMA		2019/12/10		WIRE TO BOARD CONN. RECEPTACLE HOUSING	
4 PLACES ±				APPR: TOSADA		2019/12/13		PRODUCT CUSTOMER DRAWING			
3 PLACES ±				INITIAL REVISION:		DRWN: SHSHIBATA		2008/01/23		DOCUMENT NUMBER	
2 PLACES ±				APPR: AKANESHIGE		2008/04/23		SD-502351-001		DOC TYPE DOC PART REVISION	
1 PLACE ±				THIRD ANGLE PROJECTION		DRAWING		SERIES		MATERIAL NUMBER	
0 PLACES ±				DRAFT WHERE APPLICABLE MUST REMAIN WITHIN DIMENSIONS		A3-SIZE		502351		CUSTOMER	
								SEE CHART		GENERAL MARKET	
										SHEET NUMBER	
										3 OF 3	

INITIAL REVISION:		
DRWN	SHSHIBATA	2007/12/18
CHECK	HKOMATSU	2007/12/18
APPR	MAYAMAMOTO	2010/12/02

DOCUMENT STATUS	P1	RELEASE DATE	2019/12/13	01:19:57
-----------------	----	--------------	------------	----------

9 8 7 6 5 4 3 2 1