



产品编号 : 5023511200

系列号 : 502351

Product Category : Connector Housings

Product Description : DuraClik Wire-to-Board Receptacle Housing, Single Row, 12 Circuits, Natural

状态 : Active

文件和资源

图纸

图纸 5023511200_sd.pdf

3D 模型和设计文件

3D模型 5023511200_stp.zip

规格


包装规格 PK-502351-001-001.pdf

产品规格 PS-502351-002-001.pdf

产品规格 PS-502351-001-001.pdf

产物环境合规

合规

| | |
|--------------------|---|
| GADSL/IMDS | Compliant |
| China RoHS |  |
| EU ELV | Compliant per 2000/53/EC |
| Low-Halogen Status | Not Low-Halogen per IEC 61249-2-21 |
| REACH SVHC | Not Contained per D(2023)8585-DC (23 Jan 2024) |
| EU RoHS | Compliant per EU 2015/863 |

多部分产品合规性声明

- Eu RoHS
- REACH SVHC
- Low-Halogen

- IPC 1752A Class C
- IPC 1752A Class D
- Molex Product Compliance Declaration
- IEC-62474

产品详情

常规

| | |
|------|---|
| 状态 | 活动 |
| 类别 | Connector Housings |
| 系列 | 502351 |
| 说明 | DuraClik Wire-to-Board Receptacle Housing, Single Row, 12 Circuits, Natural |
| 应用 | Automotive, Signal, Wire-to-Board |
| 个评论 | Molex part has an inner-locking system versus an outer-locking system. Molex part with tail protection feature. |
| 产品系列 | DuraClik Connector System |
| 产品名称 | DuraClik |
| UPC | 887191324050 |

物理

| | |
|-----------|-----------------|
| 电路数（最多） | 12 |
| 颜色-树脂 | Natural |
| 性别 | Receptacle |
| 符合灼热丝规范 | 否 |
| 插接极性 | 是 |
| 锁定插接部位 | 是 |
| 净重 | 450.000/mg |
| 行数 | 1 |
| 包装形式 | Bag |
| 面板安装式 | 否 |
| 间距 - 插配接口 | 2.00mm |
| 有极性的插配件 | 是 |
| 运行温度范围 | -40° to +105° C |

进程

| | |
|----|-----|
| 无铅 | 不适用 |
|----|-----|

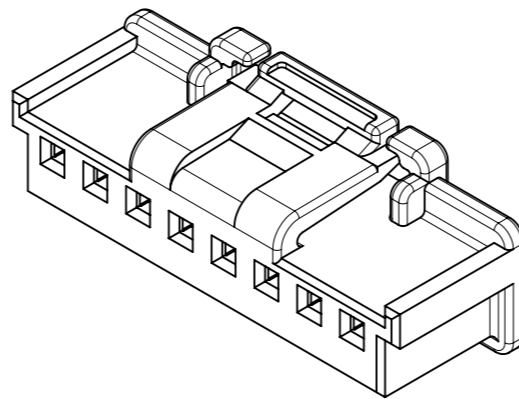
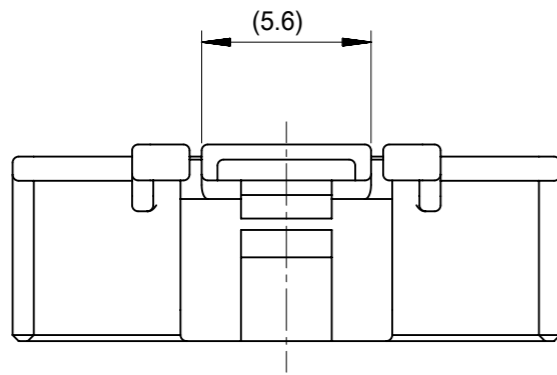
可配插/可连接使用的产品

可配插部件

| 描述 | 产品编号 |
|---|---------------|
| DuraClik Right-Angle Single Row Headers | <u>502352</u> |
| DuraClik Vertical Single Row Headers | <u>560020</u> |

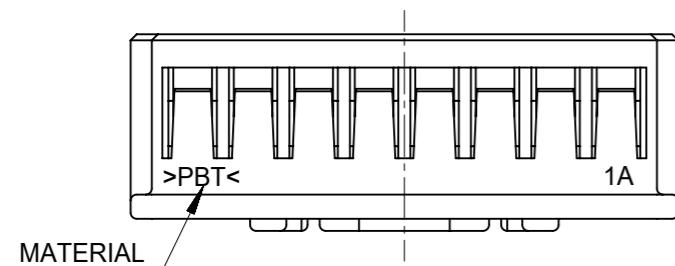
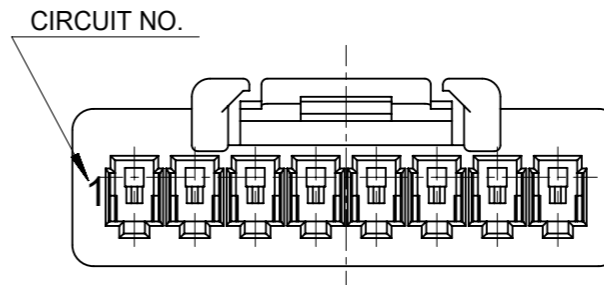
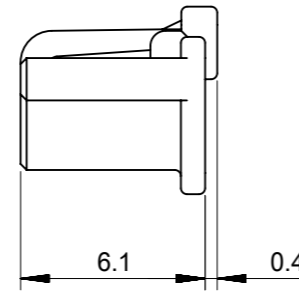
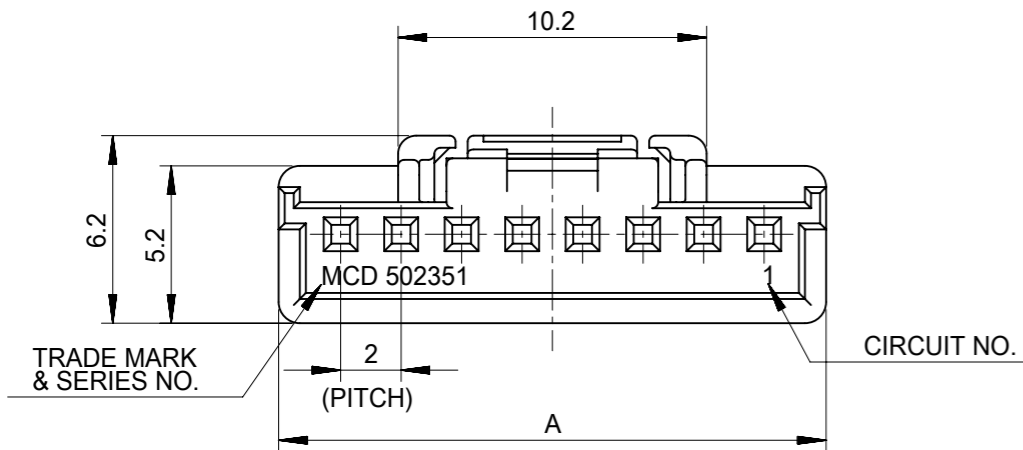
可连接使用部件

| 描述 | 产品编号 |
|---|--|
| Pre-Crimped Lead DuraClik Female-to-DuraClik Female, Tin (Sn) Plating, 150.00mm Length, 26 AWG, Black | <u>/content/molex/molex-dot-com/cn/zh/products/product-page.html/797581008.html</u> |
| Pre-Crimped Lead DuraClik Female-to-DuraClik Female, Tin (Sn) Plating, 300.00mm Length, 26 AWG, Black | <u>/content/molex/molex-dot-com/cn/zh/products/product-page.html/797581009.html</u> |
| DuraClik Female Crimp Terminals | <u>560085</u> |
| Micro-Latch Female Crimp Terminals | <u>50212</u> |
| DuraClik Female Terminals | <u>56161</u> |



NOTES

- 1. 材質 : PBT UL94V-0
MATERIAL: PBT UL94V-0
- 2. 色 : 白、黒
COLOR: WHITE, BLACK
- 3. 適合端子 : 50212, 50372, 56161, 560085シリーズ
APPLICABLE TERMINAL: 50212, 50372, 56161, 560085 SERIES
- 4. 嵌合相手 : 502352, 560020シリーズ
MATES WITH: 502352, 560020 SERIES
- 5. ELV及びRoHS適合品
ELV AND RoHS COMPLIANT
- 6. 一般公差
GENERAL TOLERANCES
10 UNDER: ±0.2
10 OVER 30 UNDER: ±0.25
30 OVER: ±0.3
ANGULAR: ±3°



8CKTS

| | | | | | | | |
|-------|-------------|--------------|------|-------------|------|--------------|------|
| BLACK | 32.1 | 502351-1501 | 15 | NATURAL | 32.1 | 502351-1500 | 15 |
| | 30.1 | 502351-1401 | 14 | | 30.1 | 502351-1400 | 14 |
| | 28.1 | 502351-1301 | 13 | | 28.1 | 502351-1300 | 13 |
| | 26.1 | 502351-1201 | 12 | | 26.1 | 502351-1200 | 12 |
| | 24.1 | 502351-1101 | 11 | | 24.1 | 502351-1100 | 11 |
| | 22.1 | 502351-1001 | 10 | | 22.1 | 502351-1000 | 10 |
| | 20.1 | 502351-0901 | 9 | | 20.1 | 502351-0900 | 9 |
| | 18.1 | 502351-0801 | 8 | | 18.1 | 502351-0800 | 8 |
| | 16.1 | 502351-0701 | 7 | | 16.1 | 502351-0700 | 7 |
| | 14.1 | 502351-0601 | 6 | | 14.1 | 502351-0600 | 6 |
| | 12.1 | 502351-0501 | 5 | | 12.1 | 502351-0500 | 5 |
| | 10.1 | 502351-0401 | 4 | | 10.1 | 502351-0400 | 4 |
| | 8.1 | 502351-0301 | 3 | | 8.1 | 502351-0300 | 3 |
| 8.0 | 502351-0201 | 2 | 8.0 | 502351-0200 | 2 | | |
| COLOR | A | MATERIAL NO. | CKTS | COLOR | A | MATERIAL NO. | CKTS |

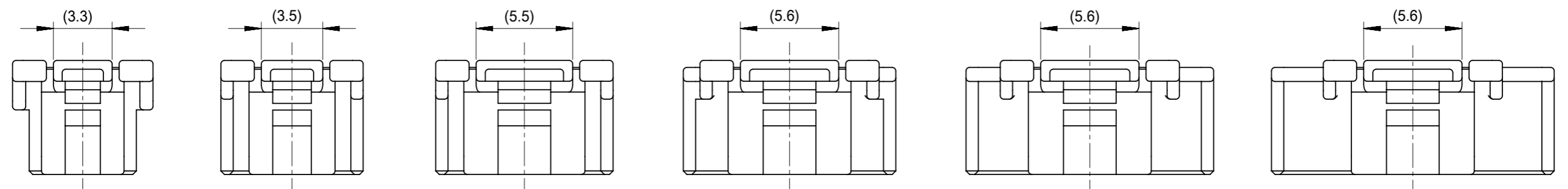
THIS DRAWING CONTAINS INFORMATION THAT IS PROPRIETARY TO MOLEX ELECTRONIC TECHNOLOGIES, LLC AND SHOULD NOT BE USED WITHOUT WRITTEN PERMISSION

| | | | | | | | |
|--|-------|-----------------------------|--|--|--|----------------|--|
| DIMENSION UNITS | SCALE | CURRENT REV DESC: | | molex | | | |
| mm | 4:1 | | | | | | |
| GENERAL TOLERANCES (UNLESS SPECIFIED) | | EC NO: 628767 | | 2.0MM PITCH | | | |
| ANGULAR TOL ± ° | | DRWN: MSATO08 2019/12/09 | | WIRE TO BOARD CONN. RECEPTACLE HOUSING | | | |
| 4 PLACES ± | | CHK'D: HIJIMA 2019/12/10 | | PRODUCT CUSTOMER DRAWING | | | |
| 3 PLACES ± | | APPR: TOSADA 2019/12/13 | | DOCUMENT NUMBER | | | |
| 2 PLACES ± | | INITIAL REVISION: | | SD-502351-001 | | | |
| 1 PLACE ± | | DRWN: SHSHIBATA 2008/01/23 | | DOC TYPE | | DOC PART | |
| 0 PLACES ± | | APPR: AKANESHIGE 2008/04/23 | | PSD | | 001 | |
| DRAFT WHERE APPLICABLE MUST REMAIN WITHIN DIMENSIONS | | THIRD ANGLE PROJECTION | | SERIES | | REVISION | |
| | | DRAWING | | MATERIAL NUMBER | | SHEET NUMBER | |
| | | A3-SIZE | | 502351 | | SEE CHART | |
| | | | | CUSTOMER | | GENERAL MARKET | |
| | | | | | | 1 OF 3 | |

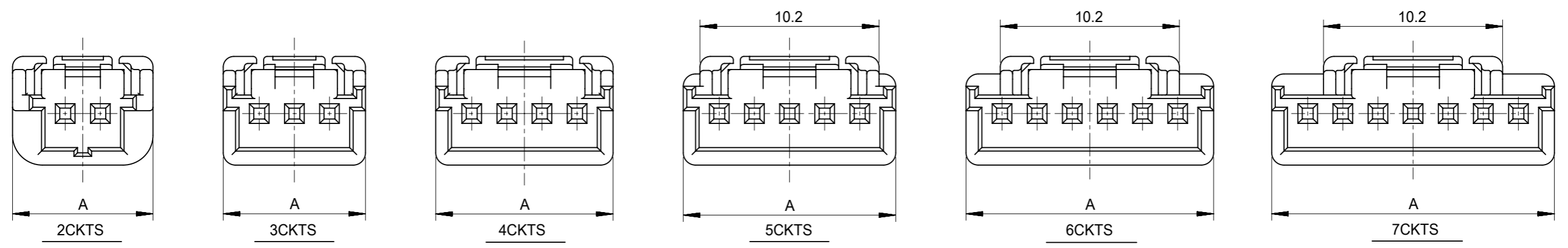
INITIAL REVISION:
 DRWN SHSHIBATA 2007/12/18
 CHECK HKOMATSU 2007/12/18
 APPR MAYAMAMOTO 2010/12/02

9 8 7 6 5 4 3 2 1

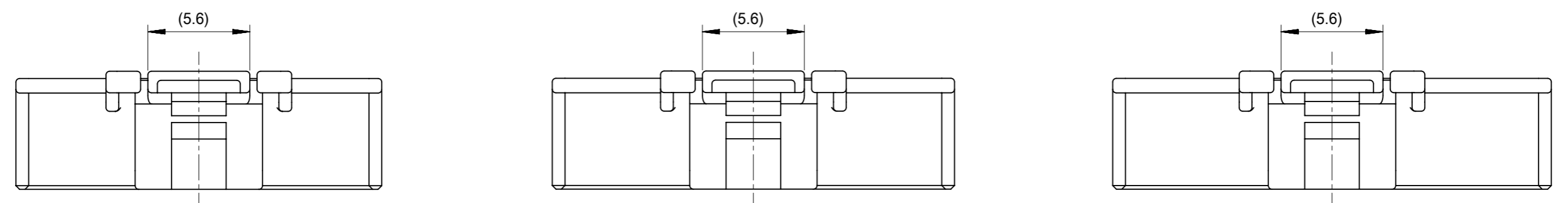
E



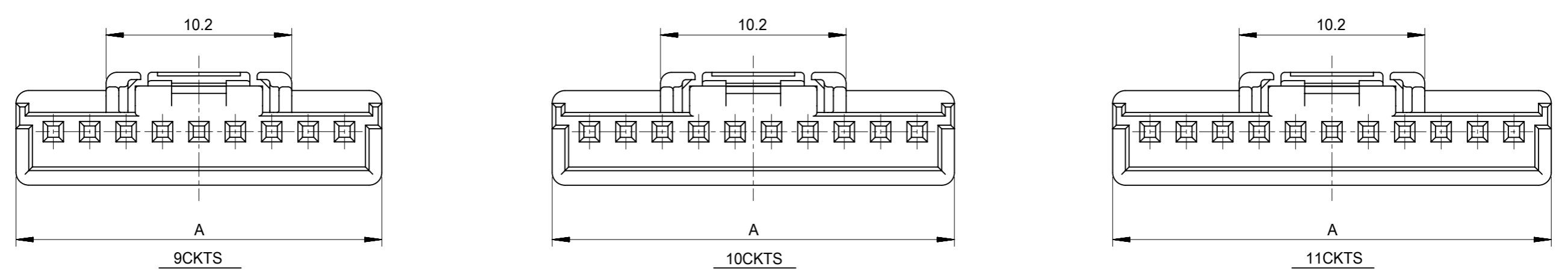
D



C



B



A

THIS DRAWING CONTAINS INFORMATION THAT IS PROPRIETARY TO MOLEX ELECTRONIC TECHNOLOGIES, LLC AND SHOULD NOT BE USED WITHOUT WRITTEN PERMISSION

| | | | |
|--|-------|------------------------|-----------------|
| DIMENSION UNITS | SCALE | CURRENT REV DESC: | |
| mm | 4:1 | | |
| GENERAL TOLERANCES (UNLESS SPECIFIED) | | EC NO: 628767 | |
| ANGULAR TOL | ± | DRWN: MSATO08 | 2019/12/09 |
| 4 PLACES | ± | CHK'D: HIJIMA | 2019/12/10 |
| 3 PLACES | ± | APPR: TOSADA | 2019/12/13 |
| 2 PLACES | ± | INITIAL REVISION: | |
| 1 PLACE | ± | DRWN: SHSHIBATA | 2008/01/23 |
| 0 PLACES | ± | APPR: AKANESHIGE | 2008/04/23 |
| DRAFT WHERE APPLICABLE MUST REMAIN WITHIN DIMENSIONS | | THIRD ANGLE PROJECTION | DRAWING |
| | | | A3-SIZE |
| | | SERIES | MATERIAL NUMBER |
| | | 502351 | SEE CHART |
| | | CUSTOMER | SHEET NUMBER |
| | | GENERAL MARKET | 2 OF 3 |

DOCUMENT NUMBER: SD-502351-001
DOC TYPE: PSD
DOC PART: 001
REVISION: J1

INITIAL REVISION:
 DRWN SHSHIBATA 2007/12/18
 CHECK HKOMATSU 2007/12/18
 APPR MAYAMAMOTO 2010/12/02

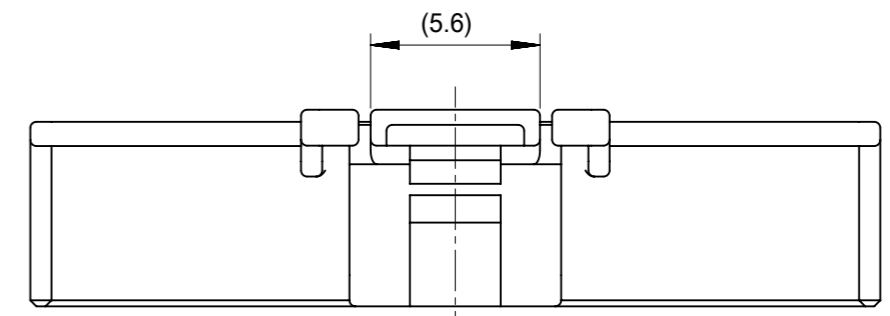
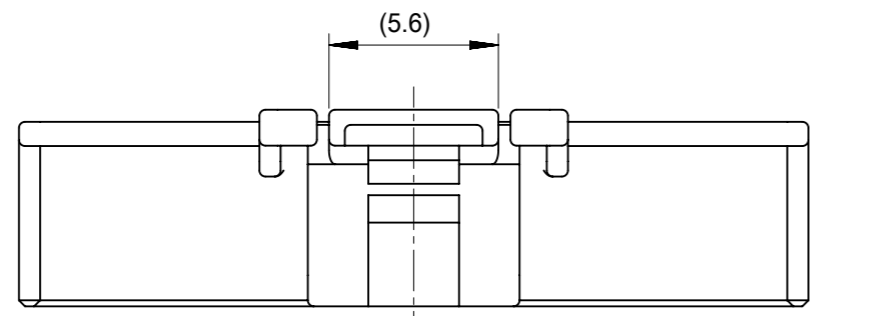
DOCUMENT STATUS: P1 | RELEASE DATE: 2019/12/13 01:19:57

9 8 7 6 5 4 3 2 1

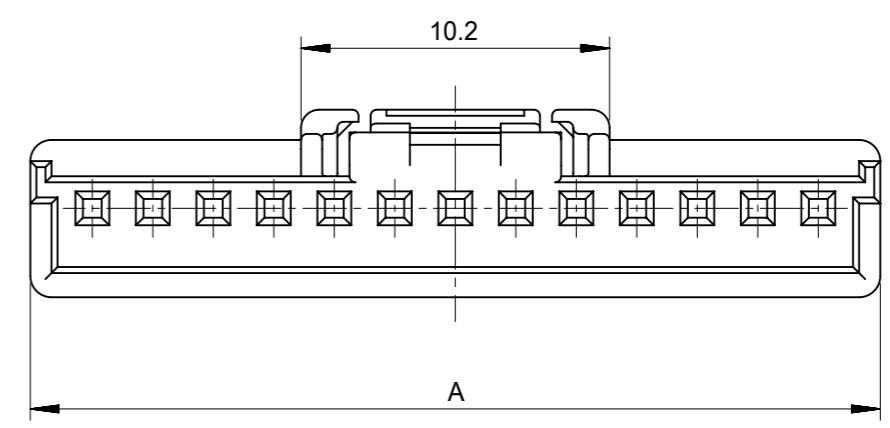
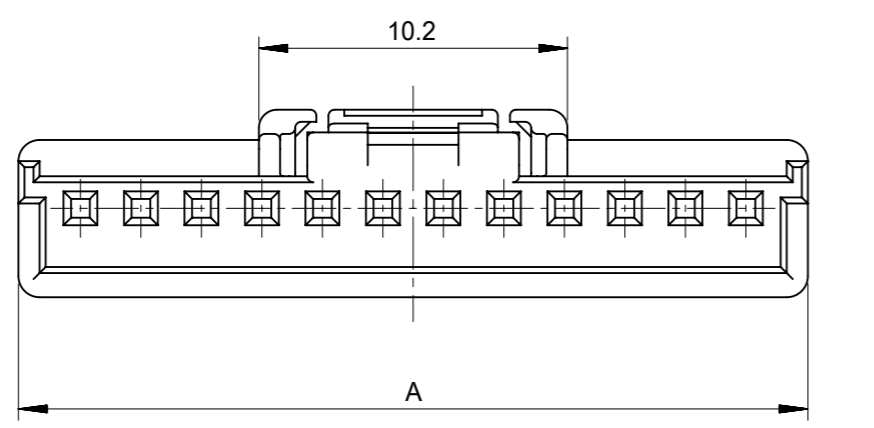
FORMAT: master-ib-prod-A3
 REVISION: 11
 DATE: 2018/01/18

9 8 7 6 5 4 3 2 1

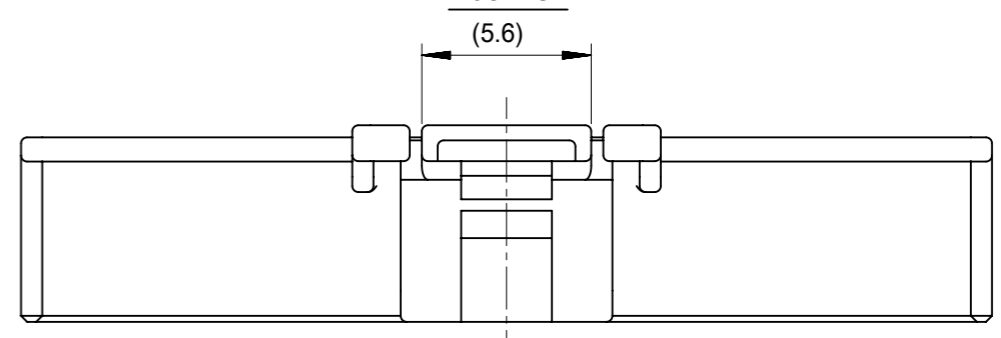
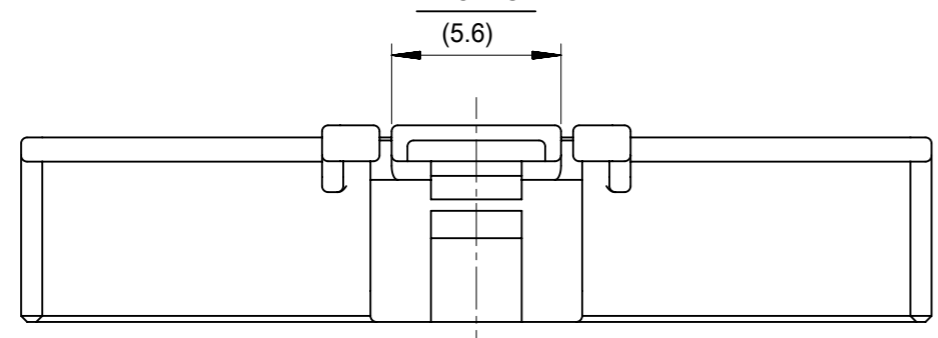
E



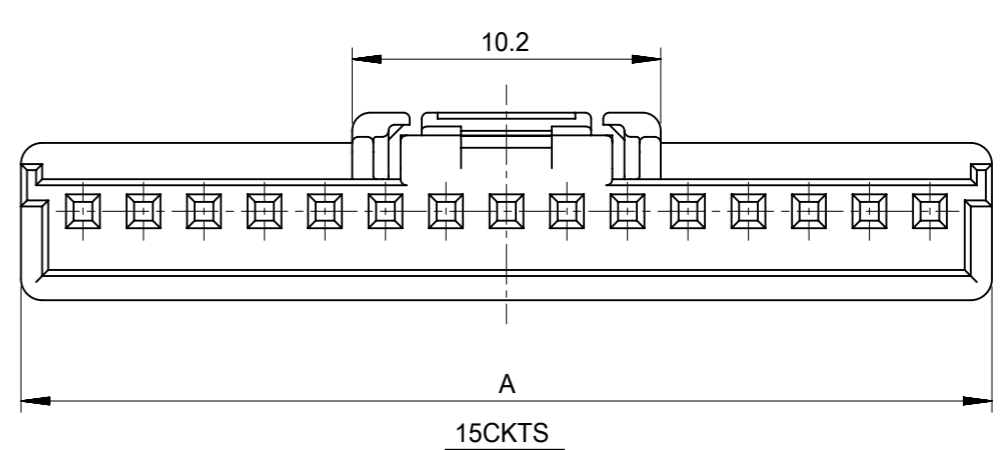
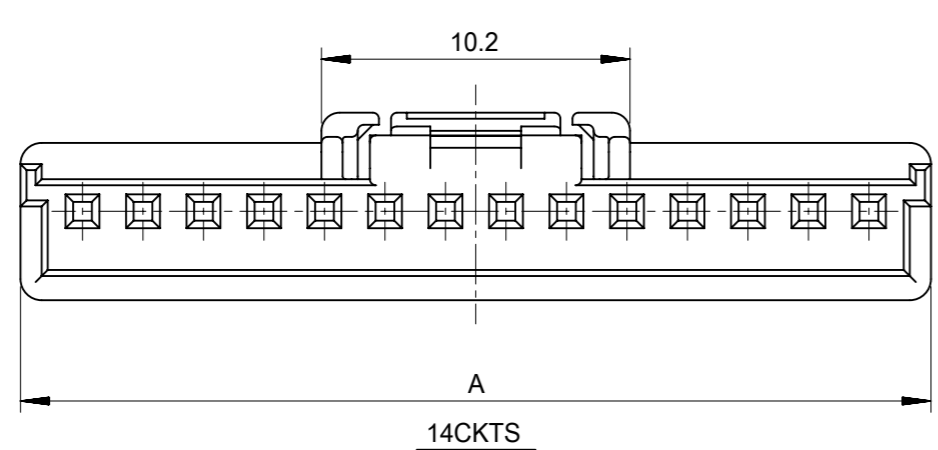
D



C



B



A

| | | | | | |
|---|-------|-----------------------------|-----------------|--|----------|
| THIS DRAWING CONTAINS INFORMATION THAT IS PROPRIETARY TO MOLEX ELECTRONIC TECHNOLOGIES, LLC AND SHOULD NOT BE USED WITHOUT WRITTEN PERMISSION | | CURRENT REV DESC: | | molex | |
| DIMENSION UNITS | SCALE | EC NO: 628767 | | | |
| mm | 4:1 | DRWN: MSATO08 2019/12/09 | | WIRE TO BOARD CONN. RECEPTACLE HOUSING | |
| GENERAL TOLERANCES (UNLESS SPECIFIED) | | CHK'D: HIJIMA 2019/12/10 | | PRODUCT CUSTOMER DRAWING | |
| ANGULAR TOL | ± | APPR: TOSADA 2019/12/13 | | DOCUMENT NUMBER | |
| 4 PLACES | ± | INITIAL REVISION: | | SD-502351-001 | DOC TYPE |
| 3 PLACES | ± | DRWN: SHSHIBATA 2008/01/23 | | PSD | DOC PART |
| 2 PLACES | ± | APPR: AKANESHIGE 2008/04/23 | | 001 | REVISION |
| 1 PLACE | ± | THIRD ANGLE PROJECTION | | J1 | |
| 0 PLACES | ± | DRAWING | | SHEET NUMBER | |
| DRAFT WHERE APPLICABLE MUST REMAIN WITHIN DIMENSIONS | | ⊕ | A3-SIZE | 502351 | 3 OF 3 |
| | | SERIES | MATERIAL NUMBER | CUSTOMER | |
| | | | SEE CHART | GENERAL MARKET | |

INITIAL REVISION:
 DRWN SHSHIBATA 2007/12/18
 CHECK HKOMATSU 2007/12/18
 APPR MAYAMAMOTO 2010/12/02

9 8 7 6 5 4 3 2 1

FORMAT: master-b-prod-A3
 REVISION: 11
 DATE: 2018/01/18