



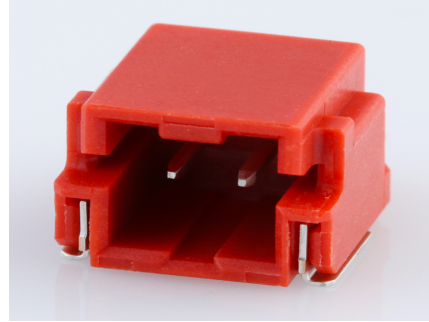
产品编号 : [5023520202](#)

Product Description : DuraClik Wire-to-Board Header, Single Row, Right-Angle, 2 Circuits, Tin (Sn) Plating, Red

系列号 : 502352

状态 : Active

Product Category : PCB Headers and Receptacles



---

## 文件和资源

### 图纸

[图纸 5023520202\\_sd.pdf](#)

### 3D 模型和设计文件

[3D模型 5023520202\\_stp.zip](#)

---

## 产物环境合规

### 合规

GADSL/IMDS	Compliant with Exemption 44; 33
China RoHS	
EU ELV	Compliant per 2000/53/EC
Low-Halogen Status	Not Low-Halogen per IEC 61249-2-21
REACH SVHC	Not Contained per D(2023)8585-DC (23 Jan 2024)
EU RoHS	Compliant per EU 2015/863

### 多部分产品合规性声明

- Eu RoHS
- REACH SVHC
- Low-Halogen

### 多部分行业合规性文件

- IPC 1752A Class C
- IPC 1752A Class D
- Molex Product Compliance Declaration
- IEC-62474

## 产品详情

### 常规

状态	活动
类别	PCB Headers and Receptacles
系列	502352
说明	DuraClik Wire-to-Board Header, Single Row, Right-Angle, 2 Circuits, Tin (Sn) Plating, Red
应用	Automotive, Signal, Wire-to-Board
个评论	The Operating Temperature Range when used with DuraClik series 502351 is -40° C to +105° C. It is -40° C to 125° C when used with DuraClik ISL series 560123 or TPA series 505151.
元件类型	PCB Header
产品系列	DuraClik Connector System
产品名称	DuraClik
UPC	889056680042

### 机构

UL	E29179
----	--------

### 电气

每触点最大电流	3.0A
电压 - 最大	125V

### 物理

断开	否
回路数 (已载入)	2
电路数 (最多)	2
颜色-树脂	红色
耐用性(插拔次数) - 最多次数	30
先接后断	否

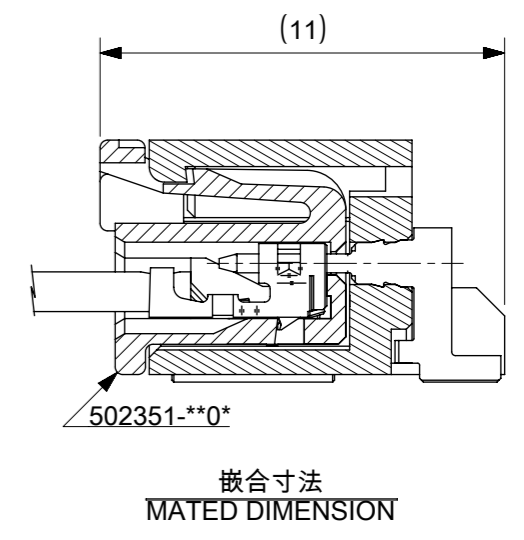
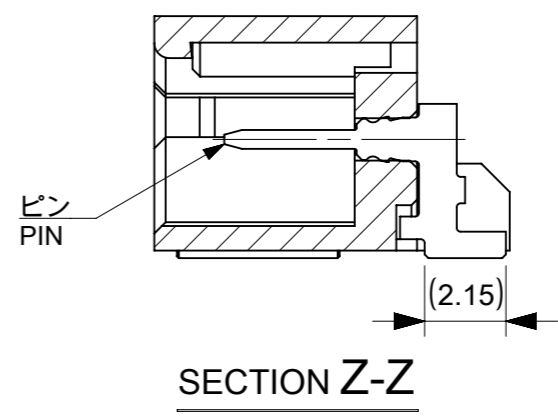
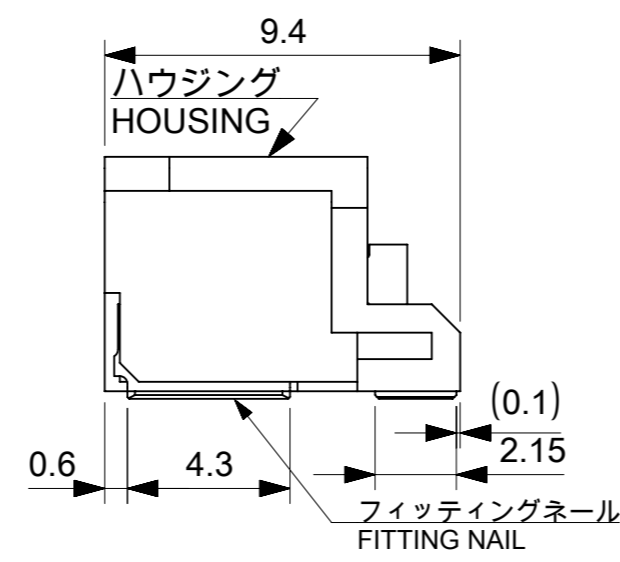
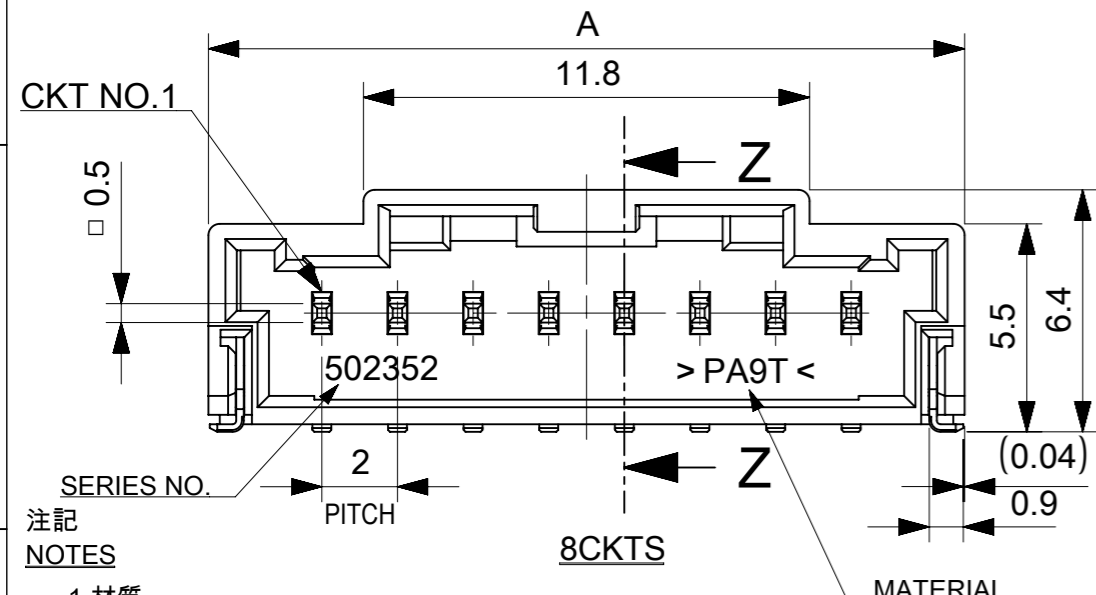
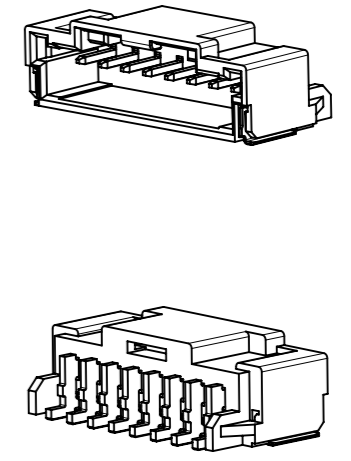
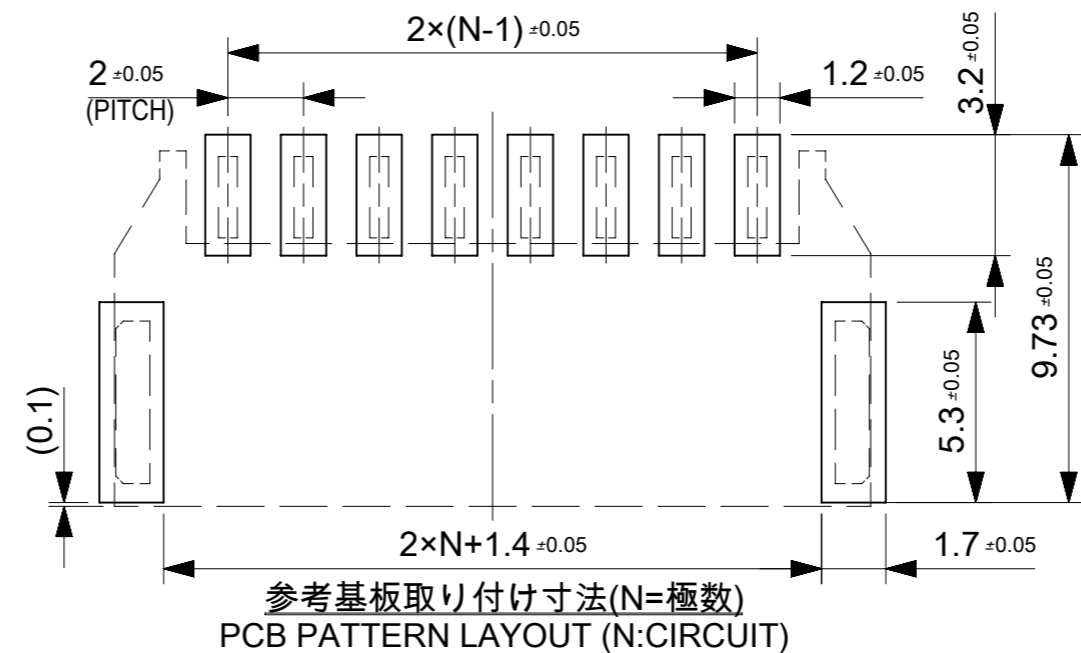
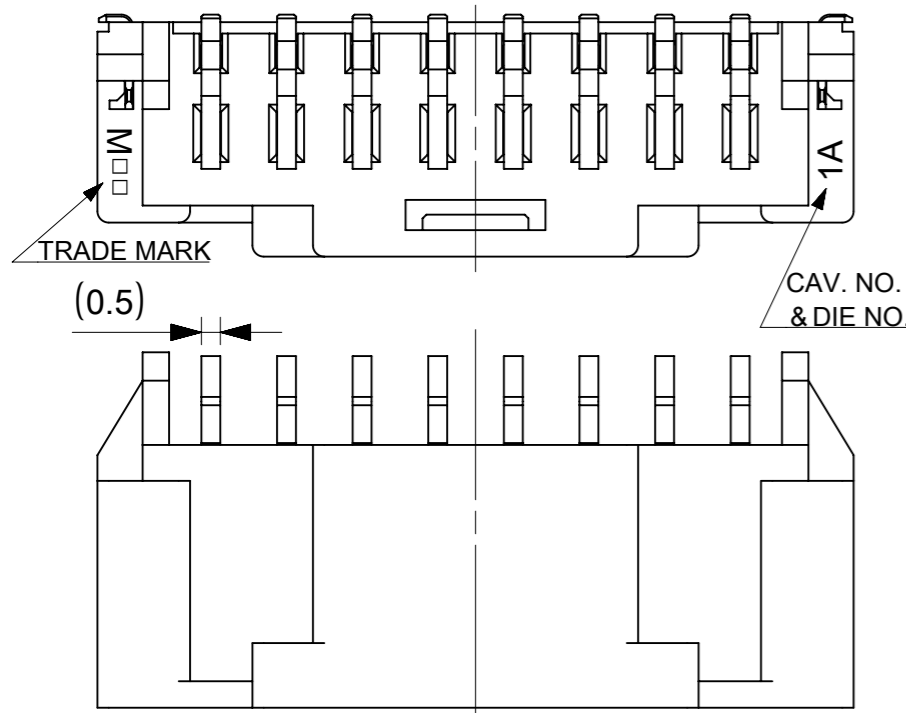
阻燃性	SC-0
符合灼热丝规范	否
插接极性	是
锁定插接部位	是
插配长度	6.40mm
材料 - 金属	Copper Alloy
材料 - 接合部位电镀	Tin
材料 - 树脂	Polyamide
净重	0.402/g
行数	1
方向	Right Angle
包装形式	Embossed Tape on Reel
PCB 定位器	否
PCB 保持力	是
间距 - 插配接口	2.00mm
有极性的插配件	是
PCB 极性	是
可堆叠的	否
运行温度范围	-40° to +105° C
终端界面类型	Surface Mount

---

## 可配插/可连接使用的产品

### 可配插部件

描述	产品编号
DuraClik Single Row Receptacle Housings	<u>502351</u>
DuraClik TPA Single Row Receptacle Housings	<u>505151</u>
DuraClik ISL Single Row Receptacle Housings	<u>560123</u>



- 注記  
NOTES
- 材質  
ハウジング：耐熱性ナイロンUL94V-0  
ピン：銅合金、ニッケル下地、錫メッキ、金メッキ  
フィッティングネール：銅合金、ニッケル下地、錫メッキ  
MATERIAL  
HOUSING:POLYAMIDE UL94V-0  
PIN: COPPER ALLOY, GOLD OR TIN OVER NICKEL PLATE.  
FITTING NAIL: COPPER ALLOY, TIN OVER NICKEL PLATE.
  - 色：ナチュラル、黒、赤、青  
COLOR:NATURAL, BLACK, RED, BLUE
  - 嵌合相手  
ハウジング：502351-\*\*0\*  
錫メッキ端子：50212-8\*00,50372-8\*00,560085-0101  
金メッキ端子：56161-8\*81  
MATES WITH  
HOUSING:502351-\*\*0\*  
SN PLATING TERMINAL:50212-8\*00,50372-8\*00,560085-0101  
AU PLATING TERMINAL:56161-8\*81
  - エンボス梱包品の詳細はSD-502352-002参照  
DETAILED TAPING PACKAGE, SEE SD-502352-002.
  - ELV及びRoHS適合  
ELV AND RoHS COMPLIANT
  - 半田付け面のコプラナリティ：0.1mm MAX.  
CO-PLANARITY OF SOLDERING TAILS TO BE 0.1mm MAX.

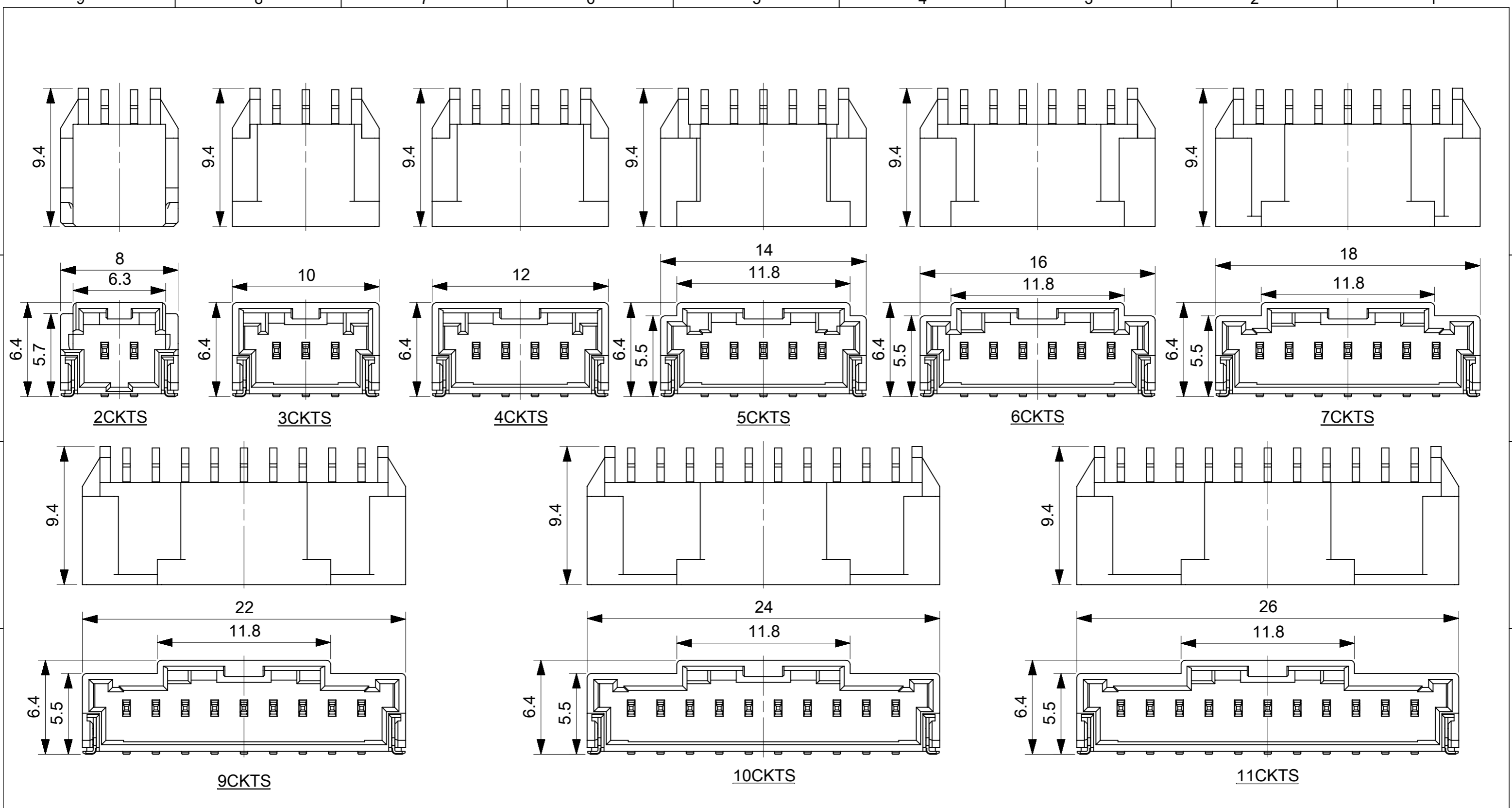
- 7.一般公差  
GENERAL TOLERANCES  
10 UNDER: ±0.2  
10 OVER 30 UNDER: ±0.25  
30 OVER: ±0.3  
ANGULAR: ±3°

DOCUMENT STATUS	P1	RELEASE DATE	2019/12/13	01:20:00
-----------------	----	--------------	------------	----------

INITIAL REVISION:

DRWN	SHSHIBATA	2007/12/18
CHECK	HKOMATSU	2007/12/18
APPR	AKANESHIGE	2007/12/18

THIS DRAWING CONTAINS INFORMATION THAT IS PROPRIETARY TO MOLEX ELECTRONIC TECHNOLOGIES, LLC AND SHOULD NOT BE USED WITHOUT WRITTEN PERMISSION		CURRENT REV DESC:		<b>molex</b>			
DIMENSION UNITS	SCALE						
mm	5:1			2.0MM PITCH W/B CONN. WAFFER ASSY R/A SMT			
GENERAL TOLERANCES (UNLESS SPECIFIED)		EC NO: 628767		PRODUCT CUSTOMER DRAWING			
ANGULAR TOL	±	DRWN: MSATO08 2019/12/09		DOCUMENT NUMBER			
4 PLACES	±	CHK'D: HIJIMA 2019/12/10		SD-502352-001			
3 PLACES	±	APPR: TOSADA 2019/12/13		DOC TYPE			
2 PLACES	±	INITIAL REVISION:		DOC PART			
1 PLACE	±	DRWN: SHSHIBATA 2008/01/23		REVISION			
0 PLACES	±	APPR: AKANESHIGE 2008/04/23		L3			
DRAFT WHERE APPLICABLE MUST REMAIN WITHIN DIMENSIONS		THIRD ANGLE PROJECTION	DRAWING	SERIES	MATERIAL NUMBER	CUSTOMER	SHEET NUMBER
			A3-SIZE	502352	SEE CHART	GENERAL MARKET	1 OF 4



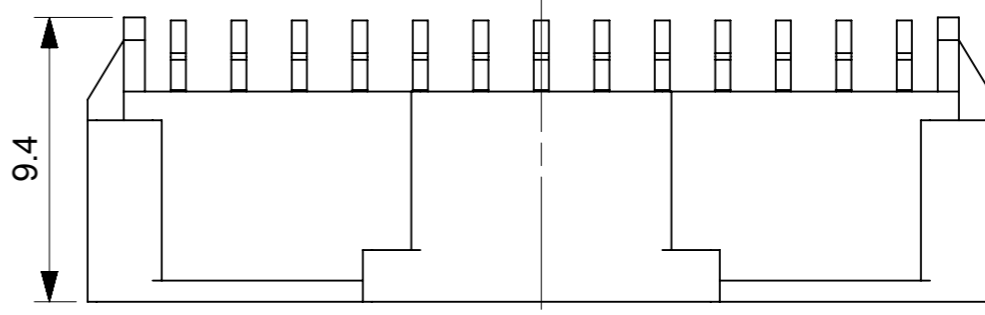
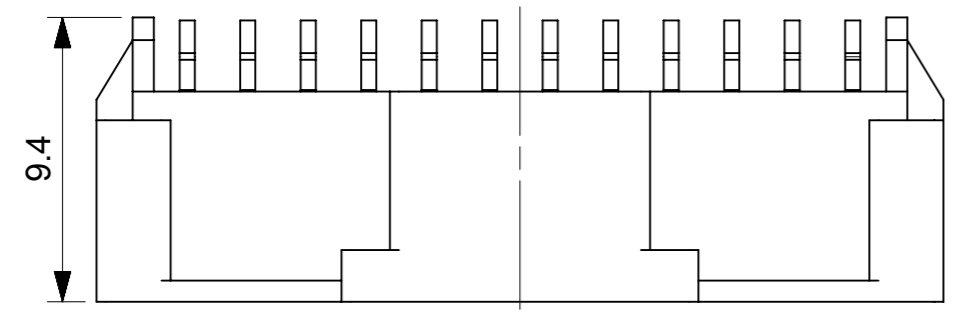
THIS DRAWING CONTAINS INFORMATION THAT IS PROPRIETARY TO MOLEX ELECTRONIC TECHNOLOGIES, LLC AND SHOULD NOT BE USED WITHOUT WRITTEN PERMISSION											
DIMENSION UNITS		SCALE		CURRENT REV DESC:						<b>molex</b>	
mm		4:1									
GENERAL TOLERANCES (UNLESS SPECIFIED)				EC NO: 628767							
ANGULAR TOL				DRWN: MSATO08				2019/12/09			
4 PLACES				CHK'D: HIJIMA				2019/12/10			
3 PLACES				APPR: TOSADA				2019/12/13			
2 PLACES				INITIAL REVISION:							
1 PLACE				DRWN: SHSHIBATA				2008/01/23			
0 PLACES				APPR: AKANESHIGE				2008/04/23			
DRAFT WHERE APPLICABLE				THIRD ANGLE PROJECTION		DRAWING		SERIES		MATERIAL NUMBER	
MUST REMAIN WITHIN DIMENSIONS						A3-SIZE		502352		SEE CHART	
PRODUCT CUSTOMER DRAWING								DOCUMENT NUMBER		DOC TYPE	
								SD-502352-001		PSD	
								DOC PART		REVISION	
								001		L3	
								CUSTOMER		SHEET NUMBER	
								GENERAL MARKET		2 OF 4	

INITIAL REVISION:		
DRWN	SHSHIBATA	2007/12/18
CHECK	HKOMATSU	2007/12/18
APPR	AKANESHIGE	2007/12/18

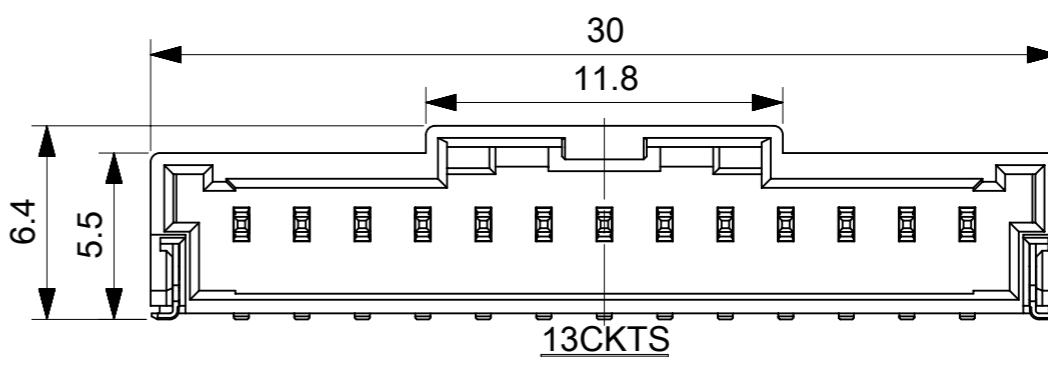
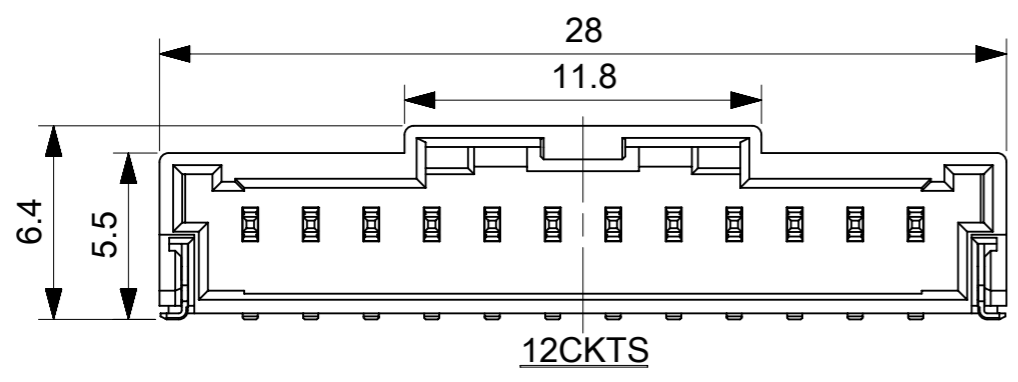
DOCUMENT STATUS	P1	RELEASE DATE	2019/12/13	01:20:00
-----------------	----	--------------	------------	----------

9 8 7 6 5 4 3 2 1

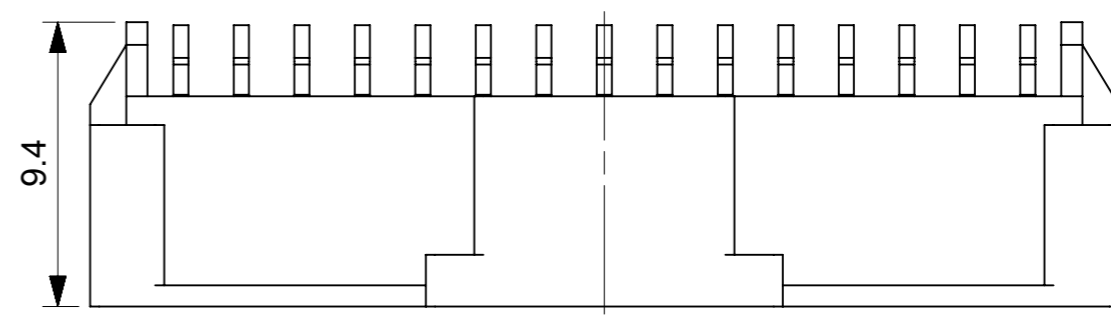
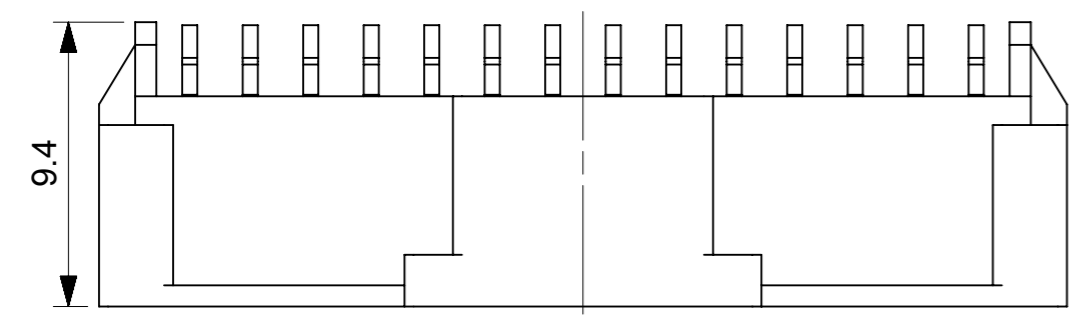
E



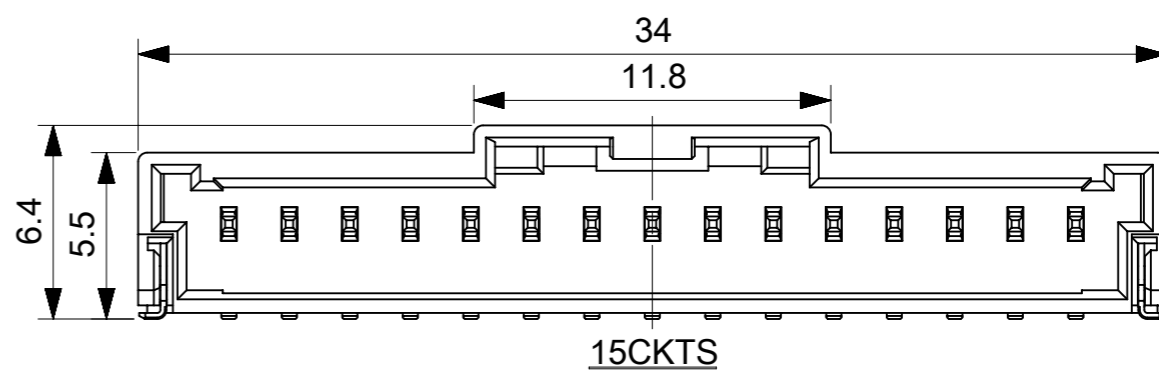
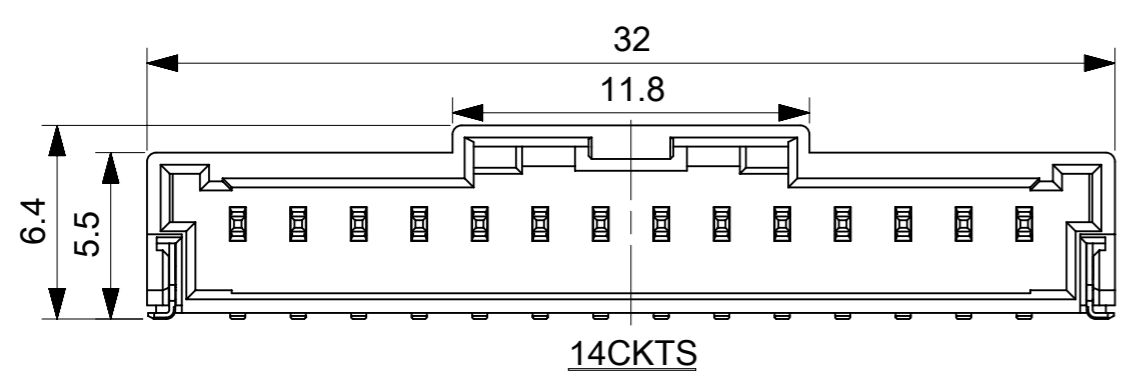
D



C



B



A

THIS DRAWING CONTAINS INFORMATION THAT IS PROPRIETARY TO MOLEX ELECTRONIC TECHNOLOGIES, LLC AND SHOULD NOT BE USED WITHOUT WRITTEN PERMISSION												
DIMENSION UNITS		SCALE		CURRENT REV DESC:				<b>molex</b>				
mm		4:1										
GENERAL TOLERANCES (UNLESS SPECIFIED)												
ANGULAR TOL ± °												
4 PLACES ±												
3 PLACES ±												
2 PLACES ±												
1 PLACE ±												
0 PLACES ±												
INITIAL REVISION:				INITIAL REVISION:				DOCUMENT NUMBER		DOC TYPE	DOC PART	REVISION
DRWN SHSHIBATA 2007/12/18				DRWN: SHSHIBATA 2008/01/23				SD-502352-001		PSD	001	L3
CHECK HKOMATSU 2007/12/18				APPR: AKANESHIGE 2008/04/23				MATERIAL NUMBER		CUSTOMER		SHEET NUMBER
APPR AKANESHIGE 2007/12/18				THIRD ANGLE PROJECTION		DRAWING		SERIES		SEE CHART		
DRAFT WHERE APPLICABLE MUST REMAIN WITHIN DIMENSIONS						A3-SIZE		502352		GENERAL MARKET		

DOCUMENT STATUS	P1	RELEASE DATE	2019/12/13	01:20:00
-----------------	----	--------------	------------	----------

9 8 7 6 5 4 3 2 1

Sn NATURAL	34.0	502352-1500	15
	32.0	502352-1400	14
	30.0	502352-1300	13
	28.0	502352-1200	12
	26.0	502352-1100	11
	24.0	502352-1000	10
	22.0	502352-0900	9
	20.0	502352-0800	8
	18.0	502352-0700	7
	16.0	502352-0600	6
	14.0	502352-0500	5
	12.0	502352-0400	4
10.0	502352-0300	3	
8.0	502352-0200	2	

PLATING COLOR	A	EMBOSSSED PACKAGE ORDER NO.	CKTS
CONNECTOR SERIES NO. 502352-**08			

Sn BLACK	34.0	502352-1501	15
	32.0	502352-1401	14
	30.0	502352-1301	13
	28.0	502352-1201	12
	26.0	502352-1101	11
	24.0	502352-1001	10
	22.0	502352-0901	9
	20.0	502352-0801	8
	18.0	502352-0701	7
	16.0	502352-0601	6
	14.0	502352-0501	5
	12.0	502352-0401	4
10.0	502352-0301	3	
8.0	502352-0201	2	

PLATING COLOR	A	EMBOSSSED PACKAGE ORDER NO.	CKTS
CONNECTOR SERIES NO. 502352-**28			

Au NATURAL	34.0	502352-1510	15
	32.0	502352-1410	14
	30.0	502352-1310	13
	28.0	502352-1210	12
	26.0	502352-1110	11
	24.0	502352-1010	10
	22.0	502352-0910	9
	20.0	502352-0810	8
	18.0	502352-0710	7
	16.0	502352-0610	6
	14.0	502352-0510	5
	12.0	502352-0410	4
10.0	502352-0310	3	
8.0	502352-0210	2	

PLATING COLOR	A	EMBOSSSED PACKAGE ORDER NO.	CKTS
CONNECTOR SERIES NO. 502352-**18			

Sn RED	-	-	15
	-	-	14
	-	-	13
	-	-	12
	-	-	11
	-	-	10
	-	-	9
	20.0	502352-0802	8
	-	-	7
	16.0	502352-0602	6
	-	-	5
	12.0	502352-0402	4
10.0	502352-0302	3	
8.0	502352-0202	2	

PLATING COLOR	A	EMBOSSSED PACKAGE ORDER NO.	CKTS
CONNECTOR SERIES NO. 502352-**48			


Sn BLUE	-	-	15
	-	-	14
	-	-	13
	-	-	12
	-	-	11
	-	-	10
	-	-	9
	20.0	502352-0803	8
	-	-	7
	16.0	502352-0603	6
	-	-	5
	12.0	502352-0403	4
10.0	502352-0303	3	
8.0	502352-0203	2	

PLATING COLOR	A	EMBOSSSED PACKAGE ORDER NO.	CKTS
CONNECTOR SERIES NO. 502352-**68			

Sn BLUE	-	-	15
	-	-	14
	-	-	13
	-	-	12
	-	-	11
	-	-	10
	-	-	9
	20.0	502352-0803	8
	-	-	7
	16.0	502352-0603	6
	-	-	5
	12.0	502352-0403	4
10.0	502352-0303	3	
8.0	502352-0203	2	

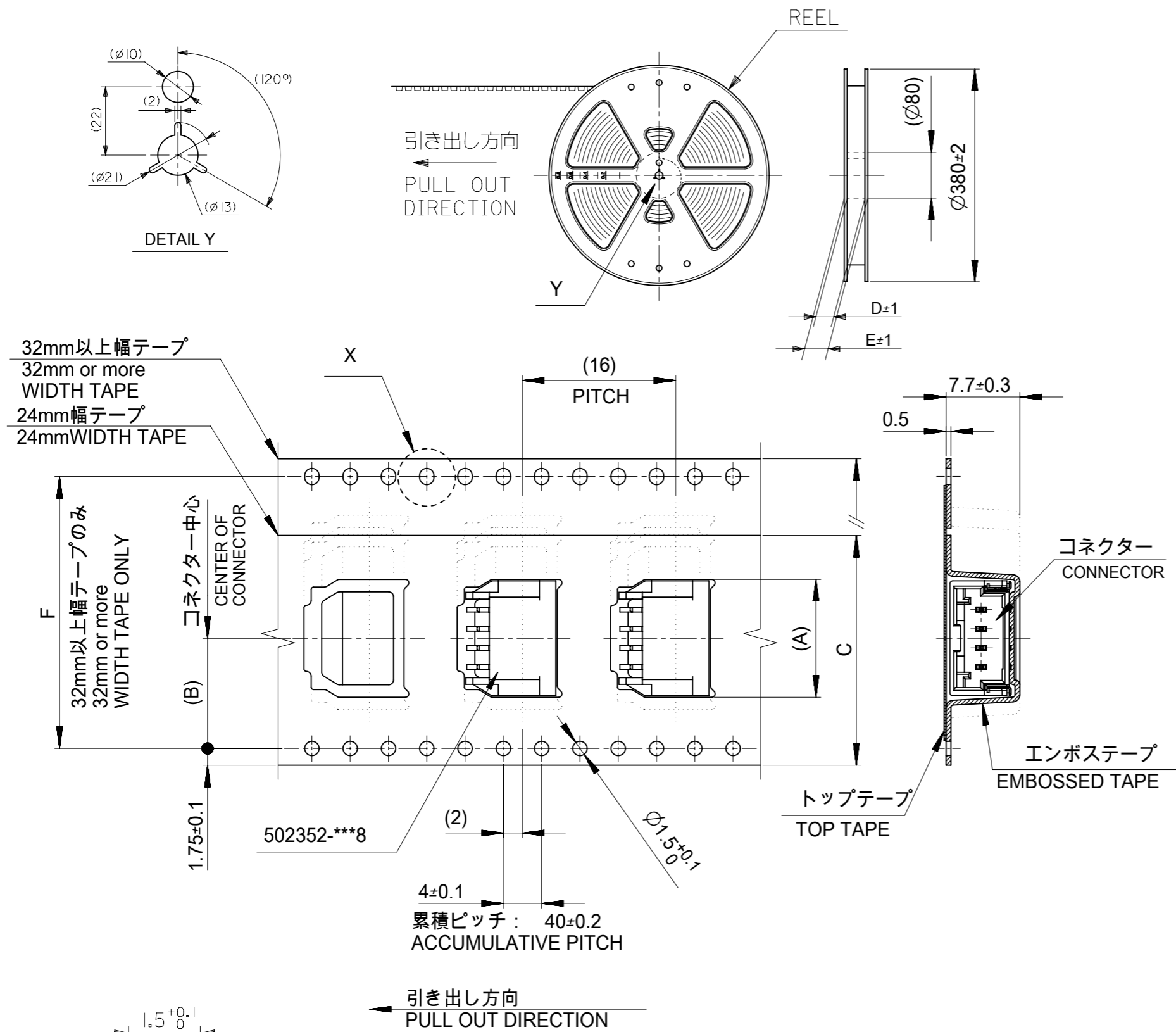
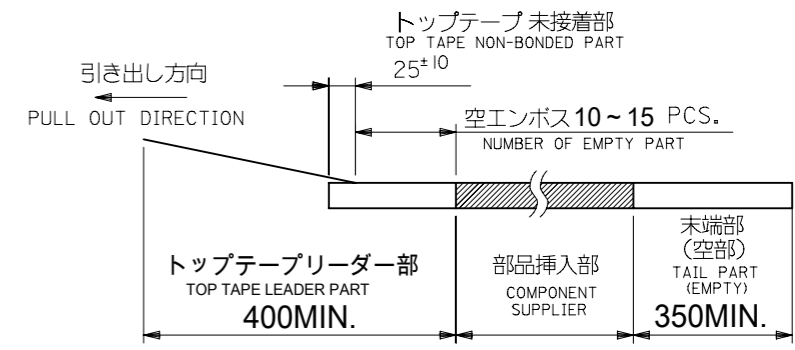
PLATING COLOR	A	EMBOSSSED PACKAGE ORDER NO.	CKTS
CONNECTOR SERIES NO. 502352-**68			

INITIAL REVISION:  
 DRWN SHSHIBATA 2007/12/18  
 CHECK HKOMATSU 2007/12/18  
 APPR AKANESHIGE 2007/12/18

THIS DRAWING CONTAINS INFORMATION THAT IS PROPRIETARY TO MOLEX ELECTRONIC TECHNOLOGIES, LLC AND SHOULD NOT BE USED WITHOUT WRITTEN PERMISSION	
DIMENSION UNITS: mm	SCALE: 1:1
GENERAL TOLERANCES (UNLESS SPECIFIED)	CURRENT REV DESC:
ANGULAR TOL ± °	EC NO: 628767
4 PLACES ±	DRWN: MSATO08 2019/12/09
3 PLACES ±	CHK'D: HIJIMA 2019/12/10
2 PLACES ±	APPR: TOSADA 2019/12/13
1 PLACE ±	INITIAL REVISION:
0 PLACES ±	DRWN: SHSHIBATA 2008/01/23
DRAFT WHERE APPLICABLE MUST REMAIN WITHIN DIMENSIONS	APPR: AKANESHIGE 2008/04/23
THIRD ANGLE PROJECTION	DRAWING: A3-SIZE
SERIES: 502352	MATERIAL NUMBER: SEE CHART
CUSTOMER: GENERAL MARKET	SHEET NUMBER: 4 OF 4
	
2.0MM PITCH W/B CONN. WAFER ASSY R/A SMT	
PRODUCT CUSTOMER DRAWING	
DOCUMENT NUMBER: SD-502352-001	DOC TYPE: PSD
DOC PART: 001	REVISION: L3

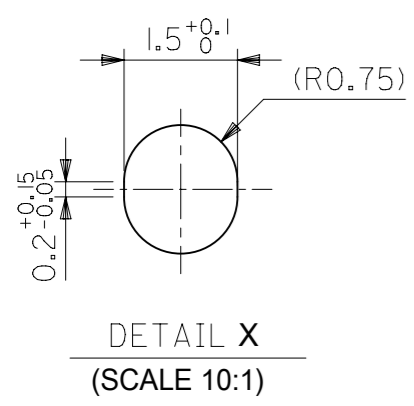
注記  
NOTES

- 製品番号  
 ナチュラル・錫めっき: 502352-\*\*00  
 ナチュラル・金めっき: 502352-\*\*10  
 黒・錫めっき: 502352-\*\*01  
 赤・錫めっき: 502352-\*\*02  
 青・錫めっき: 502352-\*\*03  
 詳細寸法については、製品単体図面を参照下さい。  
 PART NO.  
 NATURAL Sn Plating: 502352-\*\*00  
 NATURAL Au Plating: 502352-\*\*10  
 BLACK Sn Plating: 502352-\*\*01  
 RED Sn Plating: 502352-\*\*02  
 BLUE Sn Plating: 502352-\*\*03  
 SEE SALES DRAWING FOR CONNECTOR
- 梱包数量: 700個/リール  
 NUMBER OF CONNECTORS 700PCS/REEL
- リードテープ長さ  
 LEAD TAPE LENGHT
- 材料  
 MATERIAL  
 キャリアテープ: ポリスチレン  
 CARRIER TAPE: POLYSTYRENE  
 トップテープ: PET, PE, PEF  
 TOP TAPE: PET, PE, PEF  
 リール: ポリスチレン  
 REEL: POLYSTYRENE
- 一般公差  
 GENERAL TOLERANCES  
 10 UNDER: ±0.2  
 10 OVER 30 UNDER: ±0.25  
 30 OVER: ±0.3  
 ANGULAR: ±1°



引き出し方向  
PULL OUT DIRECTION

エンボステープ内の製品の向き  
DIRECTION OF CONNECTOR  
IN EMBOSSSED TAPE




THIS DRAWING CONTAINS INFORMATION THAT IS PROPRIETARY TO MOLEX ELECTRONIC TECHNOLOGIES, LLC AND SHOULD NOT BE USED WITHOUT WRITTEN PERMISSION		CURRENT REV DESC:		<b>molex</b>	
DIMENSION UNITS	SCALE				
mm	NTS			2.0MM PITCH W/B CONN. WAFER ASSY EMBOSSSED TAPE PACKAGE	
GENERAL TOLERANCES (UNLESS SPECIFIED)		EC NO: 629663		PRODUCT CUSTOMER DRAWING	
ANGULAR TOL	± °	DRWN: MSATO08	2019/12/26	DOCUMENT NUMBER	
4 PLACES	±	CHK'D: HIJIMA	2019/12/27	SD-502352-002	
3 PLACES	±	APPR: TOSADA	2019/12/27	DOC TYPE	DOC PART
2 PLACES	±	INITIAL REVISION:		PSD	001
1 PLACE	±	DRWN: SHSHIBATA	2007/06/19	REVISION	
0 PLACES	±	APPR: AKANESHIGE	2007/06/19	K2	
DRAFT WHERE APPLICABLE MUST REMAIN WITHIN DIMENSIONS		THIRD ANGLE PROJECTION	DRAWING	SERIES	MATERIAL NUMBER
			A3-SIZE	502352	CUSTOMER
					GENERAL MARKET
					SHEET NUMBER
					1 OF 2

INITIAL REVISION:		
DRWN	SHSHIBATA	2007/06/06
CHECK	TAITO	2007/06/06
APPR	MAYAMAMOTO	2012/03/14



E	Sn NATURAL	52.4	61.4	57.4	56	26.2	34.3	502352-1500	15	Au NATURAL	52.4	61.4	57.4	56	26.2	34.3	502352-1510	15	D	PLATING COLOR	F	E	D	C	(B)	(A)	エンボス梱包品 製品番号 EMBOSSED PACKAGE MATERIAL NO.	極数 CKT.
							32.3	502352-1400	14							32.3	502352-1410	14										
		40.4	49.4	45.4	44	20.2	30.3	502352-1300	13		40.4	49.4	45.4	44	20.2	30.3	502352-1310	13										
							28.3	502352-1200	12							28.3	502352-1210	12										
							26.3	502352-1100	11							26.3	502352-1110	11										
							24.3	502352-1000	10							24.3	502352-1010	10										
							22.3	502352-0900	9							22.3	502352-0910	9										
		28.4	37.4	33.4	32	14.2	20.3	502352-0800	8		28.4	37.4	33.4	32	14.2	20.3	502352-0810	8										
							18.3	502352-0700	7							18.3	502352-0710	7										
							16.3	502352-0600	6							16.3	502352-0610	6										
							14.3	502352-0500	5							14.3	502352-0510	5										
							12.3	502352-0400	4							12.3	502352-0410	4										
		/	29.4	25.4	24	11.5	10.3	502352-0300	3		/	29.4	25.4	24	11.5	10.3	502352-0310	3										
							8.3	502352-0200	2							8.3	502352-0210	2										

C	Sn BLACK	52.4	61.4	57.4	56	26.2	34.3	502352-1501	15	Sn RED	/	/	/	/	/	/	/	15	Sn BLUE	/	/	/	/	/	/	/	15
							32.3	502352-1401	14									14									14
		40.4	49.4	45.4	44	20.2	30.3	502352-1301	13		40.4	49.4	45.4	44	20.2	30.3	502352-1301	13									
							28.3	502352-1201	12							28.3	502352-1201	12									
							26.3	502352-1101	11							26.3	502352-1101	11									
							24.3	502352-1001	10							24.3	502352-1001	10									
							22.3	502352-0901	9							22.3	502352-0901	9									
		28.4	37.4	33.4	32	14.2	20.3	502352-0801	8		28.4	37.4	33.4	32	14.2	20.3	502352-0802	8									
							18.3	502352-0701	7							18.3	502352-0701	7									
							16.3	502352-0601	6							16.3	502352-0602	6									
							14.3	502352-0501	5							14.3	502352-0501	5									
							12.3	502352-0401	4							12.3	502352-0402	4									
		/	29.4	25.4	24	11.5	10.3	502352-0301	3		/	29.4	25.4	24	11.5	10.3	502352-0302	3									
							8.3	502352-0201	2							8.3	502352-0202	2									

THIS DRAWING CONTAINS INFORMATION THAT IS PROPRIETARY TO MOLEX ELECTRONIC TECHNOLOGIES, LLC AND SHOULD NOT BE USED WITHOUT WRITTEN PERMISSION																			
DIMENSION UNITS: mm SCALE: NTS		CURRENT REV DESC:																	
GENERAL TOLERANCES (UNLESS SPECIFIED): ANGULAR TOL ± ° 4 PLACES ± 3 PLACES ± 2 PLACES ± 1 PLACE ± 0 PLACES ±		EC NO: 629663 DRWN: MSATO08 2019/12/26 CHK'D: HIJIMA 2019/12/27 APPR: TOSADA 2019/12/27																	
INITIAL REVISION: DRWN SHSHIBATA 2007/06/06 CHECK TAITO 2007/06/06 APPR MAYAMAMOTO 2012/03/14		INITIAL REVISION: DRWN: SHSHIBATA 2007/06/19 APPR: AKANESHIGE 2007/06/19				PRODUCT CUSTOMER DRAWING DOCUMENT NUMBER: SD-502352-002 DOC TYPE: PSD DOC PART: 001 REVISION: K2													
DRAFT WHERE APPLICABLE MUST REMAIN WITHIN DIMENSIONS		THIRD ANGLE PROJECTION		DRAWING: A3-SIZE		SERIES: 502352		MATERIAL NUMBER: SEE CHART		CUSTOMER: GENERAL MARKET		SHEET NUMBER: 2 OF 2							
DOCUMENT STATUS: P1 RELEASE DATE: 2019/12/27 08:05:27		9		8		7		6		5		4		3		2		1	