



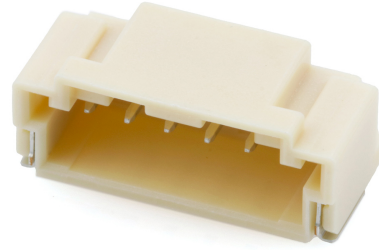
产品编号 : [5023520600](#)

Product Description : DuraClik Wire-to-Board Header, Single Row, Right-Angle, 6 Circuits, Tin (Sn) Plating, Natural

系列号 : 502352

状态 : Active

Product Category : PCB Headers and Receptacles



文件和资源

图纸

[图纸 5023520600_sd.pdf](#)

3D 模型和设计文件


[3D模型 5023520600_stp.zip](#)

规格

[产品规格 PS-502351-001-001.pdf](#)

产物环境合规

合规

GADSL/IMDS	Compliant with Exemption 44; 33
China RoHS	
EU ELV	Compliant per 2000/53/EC
Low-Halogen Status	Not Low-Halogen per IEC 61249-2-21
REACH SVHC	Not Contained per D(2023)3788-DC (14 Jun 2023)
EU RoHS	Compliant per EU 2015/863

多部分产品合规性声明

- Eu RoHS
- REACH SVHC
- Low-Halogen

多部分行业合规性文件

- IPC 1752A Class C
- IPC 1752A Class D

- Molex Product Compliance Declaration

- IEC-62474

- chemSHERPA (xml)

欧盟 RoHS 合格证书

产品详情

常规

状态	活动
类别	PCB Headers and Receptacles
系列	502352
说明	DuraClik Wire-to-Board Header, Single Row, Right-Angle, 6 Circuits, Tin (Sn) Plating, Natural
应用	Automotive, Signal, Wire-to-Board
个评论	The Operating Temperature Range when used with DuraClik series 502351 is -40° C to +105° C. It is -40° C to 125° C when used with DuraClik ISL series 560123 or TPA series 505151.
元件类型	PCB Header
产品系列	DuraClik Connector System
产品名称	DuraClik
UPC	800756731735

机构

UL	E29179
----	--------

电气

每触点最大电流	3.0A
电压 - 最大	125V

物理

断开	否
回路数 (已载入)	6
电路数 (最多)	6
颜色-树脂	Natural

耐用性(插拔次数) - 最多次数	30
先接后断	否
阻燃性	SC-0
符合灼热丝规范	否
插接极性	是
锁定插接部位	是
插配长度	6.40mm
材料 - 金属	Copper Alloy
材料 - 接合部位电镀	Tin
材料 - 树脂	Polyamide
净重	0.800/g
行数	1
方向	Right Angle
包装形式	Embossed Tape on Reel
PCB 定位器	否
PCB 保持力	是
间距 - 插配接口	2.00mm
有极性的插配件	是
PCB 极性	是
可堆叠的	否
运行温度范围	-40° to +105° C
终端界面类型	Surface Mount

进程

最长持续时间	40
无铅	REFLOW
最大周期	1
最高温度	255

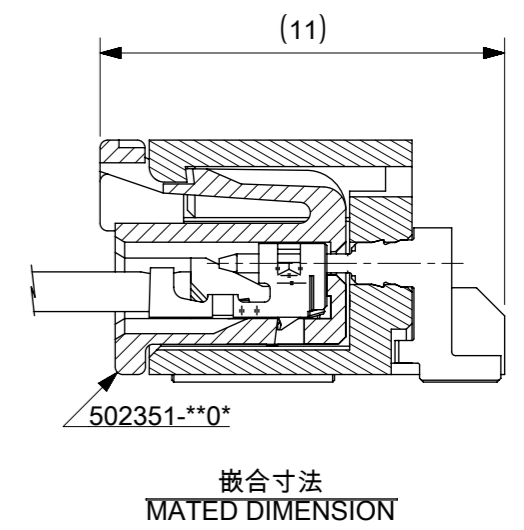
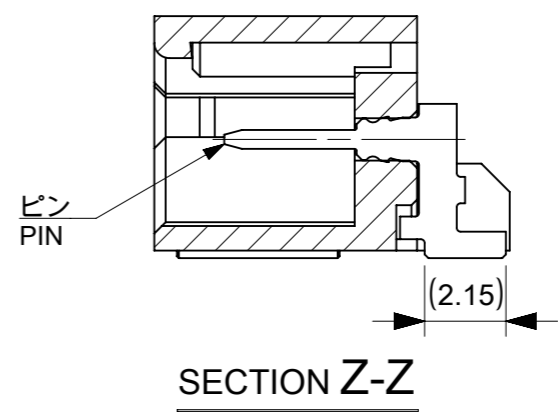
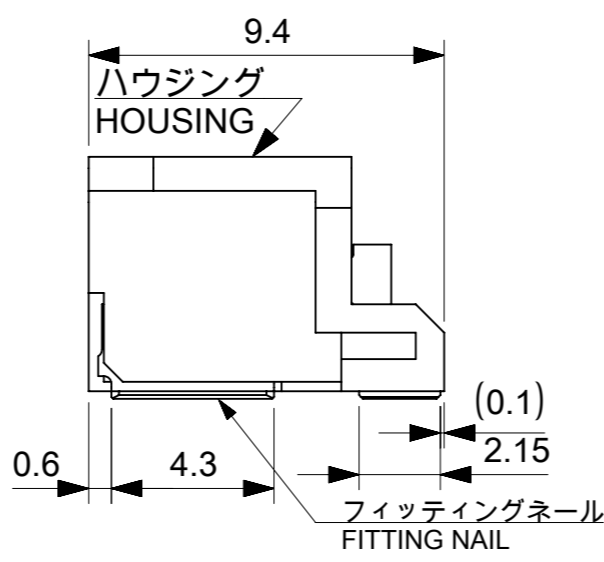
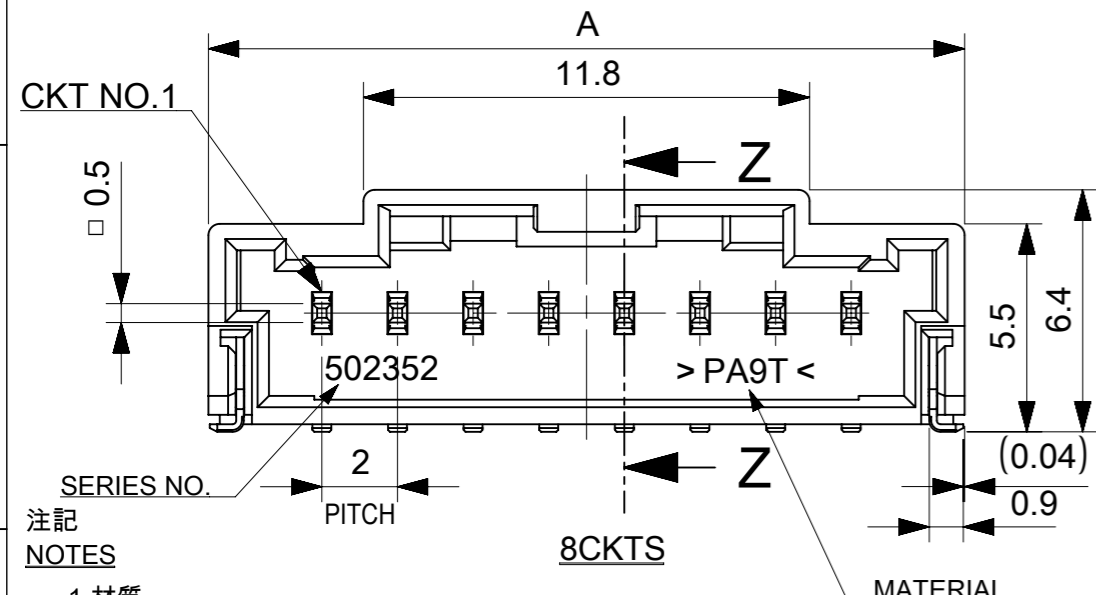
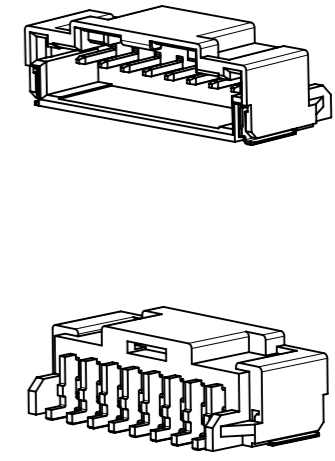
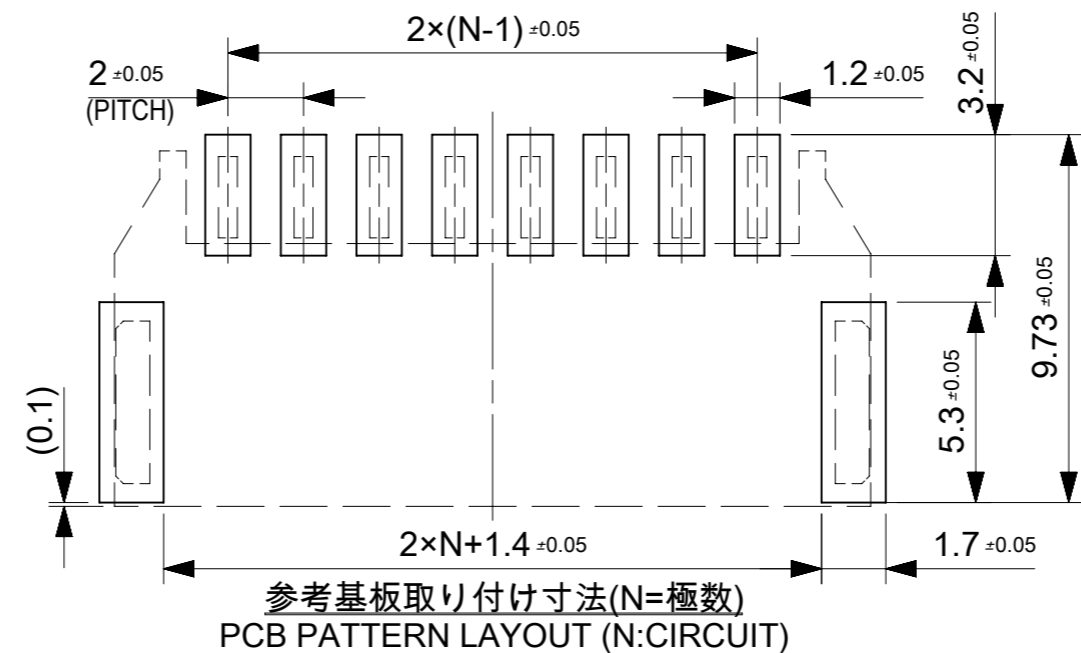
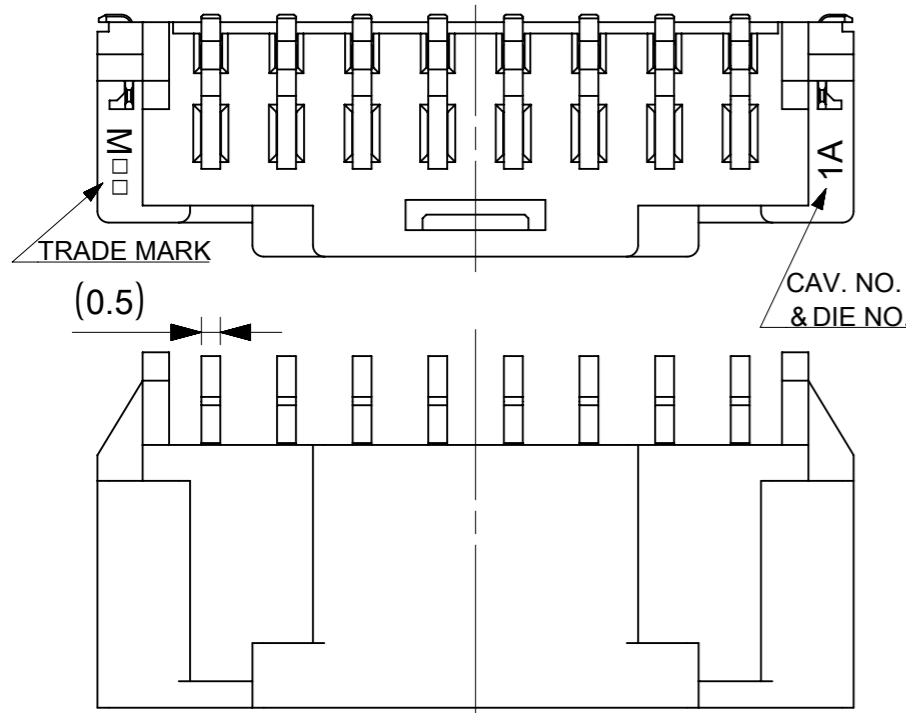
可配插/可连接使用的产品

可配插部件

描述	产品编号
DuraClik Single Row Receptacle Housings	<u>502351</u>

DuraClik TPA Single Row Receptacle Housings	<u>505151</u>
DuraClik ISL Single Row Receptacle Housings	<u>560123</u>

This document was generated on Feb 28, 2024

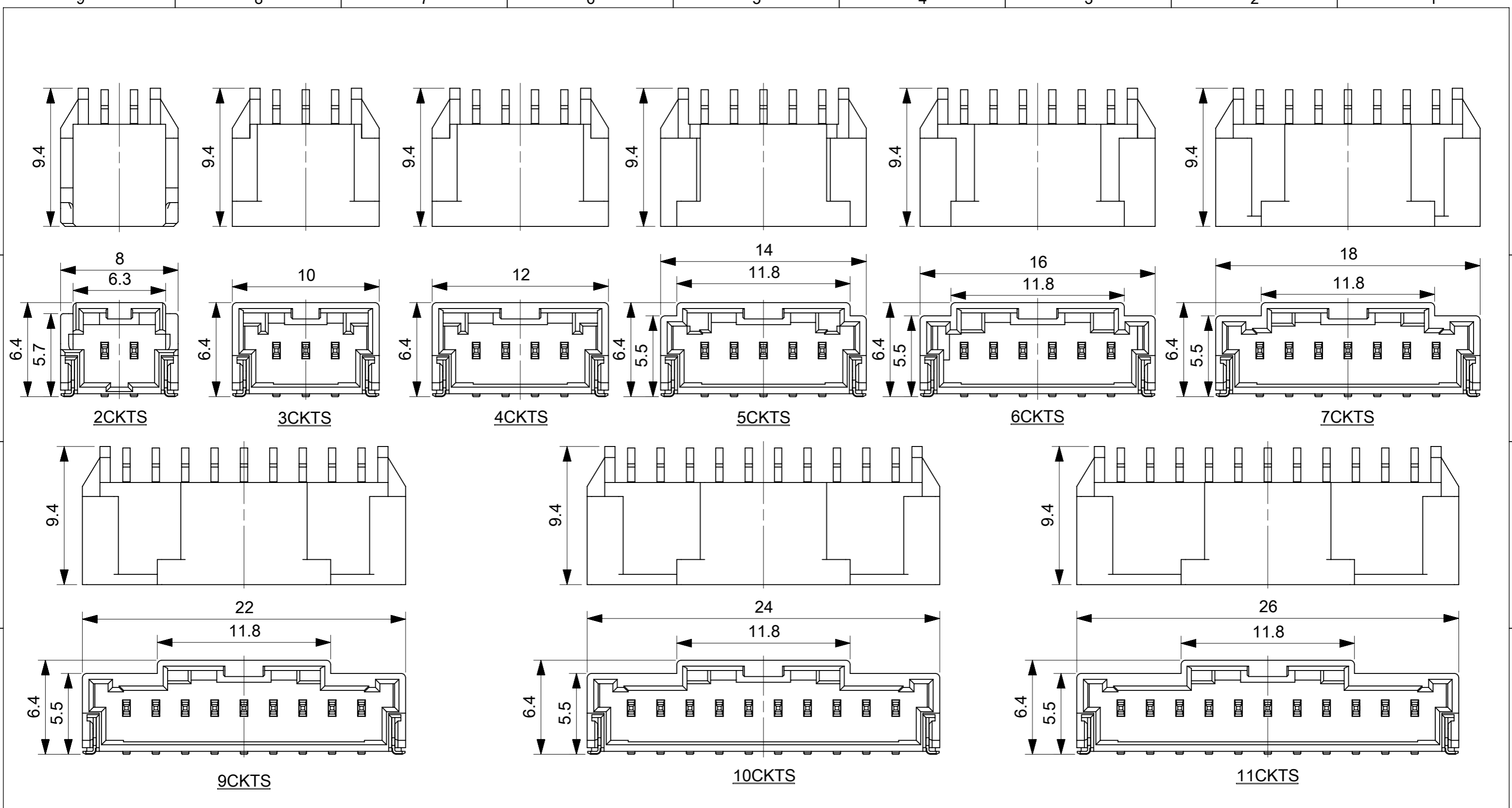


- 注記
NOTES
- 材質
ハウジング：耐熱性ナイロンUL94V-0
ピン：銅合金、ニッケル下地、錫メッキ、金メッキ
フィッティングネール：銅合金、ニッケル下地、錫メッキ
MATERIAL
HOUSING:POLYAMIDE UL94V-0
PIN: COPPER ALLOY, GOLD OR TIN OVER NICKEL PLATE.
FITTING NAIL: COPPER ALLOY, TIN OVER NICKEL PLATE.
 - 色：ナチュラル、黒、赤、青
COLOR:NATURAL, BLACK, RED, BLUE
 - 嵌合相手
ハウジング：502351-**0*
錫メッキ端子：50212-8*00,50372-8*00,560085-0101
金メッキ端子：56161-8*81
MATES WITH
HOUSING:502351-**0*
SN PLATING TERMINAL:50212-8*00,50372-8*00,560085-0101
AU PLATING TERMINAL:56161-8*81
 - エンボス梱包品の詳細はSD-502352-002参照
DETAILED TAPING PACKAGE, SEE SD-502352-002.
 - ELV及びRoHS適合
ELV AND RoHS COMPLIANT
 - 半田付け面のコプラナリティ：0.1mm MAX.
CO-PLANARITY OF SOLDERING TAILS TO BE 0.1mm MAX.

- 7.一般公差
GENERAL TOLERANCES
10 UNDER: ±0.2
10 OVER 30 UNDER: ±0.25
30 OVER: ±0.3
ANGULAR: ±3°

THIS DRAWING CONTAINS INFORMATION THAT IS PROPRIETARY TO MOLEX ELECTRONIC TECHNOLOGIES, LLC AND SHOULD NOT BE USED WITHOUT WRITTEN PERMISSION		CURRENT REV DESC:		molex	
DIMENSION UNITS	SCALE				
mm	5:1			2.0MM PITCH W/B CONN. WAFER ASSY R/A SMT	
GENERAL TOLERANCES (UNLESS SPECIFIED)		EC NO: 628767		PRODUCT CUSTOMER DRAWING	
ANGULAR TOL	±	DRWN: MSATO08	2019/12/09	DOCUMENT NUMBER	
4 PLACES	±	CHK'D: HIJIMA	2019/12/10	SD-502352-001	
3 PLACES	±	APPR: TOSADA	2019/12/13	DOC TYPE	DOC PART
2 PLACES	±	INITIAL REVISION:		PSD	001
1 PLACE	±	DRWN: SHSHIBATA	2008/01/23	REVISION	
0 PLACES	±	APPR: AKANESHIGE	2008/04/23	L3	
DRAFT WHERE APPLICABLE MUST REMAIN WITHIN DIMENSIONS		THIRD ANGLE PROJECTION	DRAWING	SERIES	MATERIAL NUMBER
			A3-SIZE	502352	SEE CHART
				CUSTOMER	SHEET NUMBER
				GENERAL MARKET	1 OF 4

DOCUMENT STATUS	P1	RELEASE DATE	2019/12/13	01:20:00
-----------------	----	--------------	------------	----------

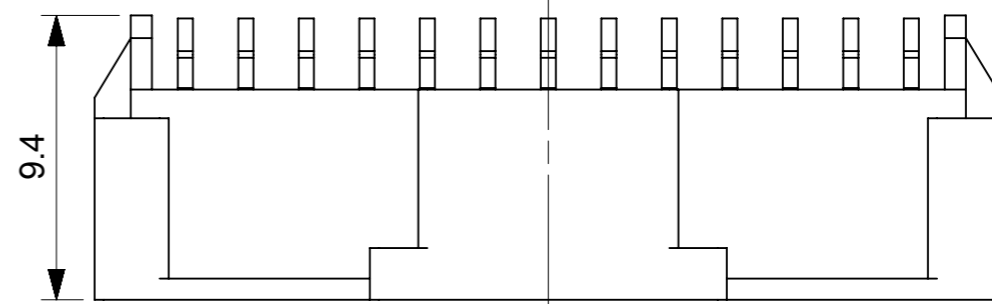
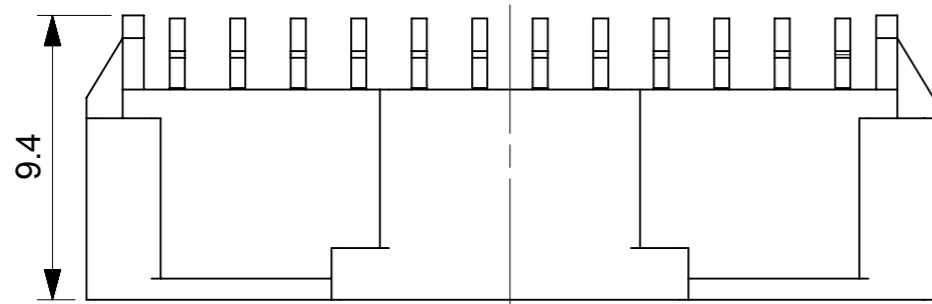


THIS DRAWING CONTAINS INFORMATION THAT IS PROPRIETARY TO MOLEX ELECTRONIC TECHNOLOGIES, LLC AND SHOULD NOT BE USED WITHOUT WRITTEN PERMISSION		CURRENT REV DESC:		molex	
DIMENSION UNITS	SCALE	EC NO: 628767			
mm	4:1	DRWN: MSATO08 2019/12/09		2.0MM PITCH W/B CONN. WAFER ASSY R/A SMT	
GENERAL TOLERANCES (UNLESS SPECIFIED)		CHK'D: HIJIMA 2019/12/10		PRODUCT CUSTOMER DRAWING	
ANGULAR TOL	±	APPR: TOSADA 2019/12/13		DOCUMENT NUMBER	
4 PLACES	±	INITIAL REVISION:		SD-502352-001	
3 PLACES	±	DRWN: SHSHIBATA 2008/01/23		DOC TYPE	
2 PLACES	±	APPR: AKANESHIGE 2008/04/23		PSD	
1 PLACE	±	DRAFT WHERE APPLICABLE		DOC PART	
0 PLACES	±	MUST REMAIN WITHIN DIMENSIONS		001	
THIRD ANGLE PROJECTION		DRAWING		REVISION	
A3-SIZE		SERIES		L3	
502352		MATERIAL NUMBER		SHEET NUMBER	
SEE CHART		CUSTOMER		2 OF 4	
GENERAL MARKET					

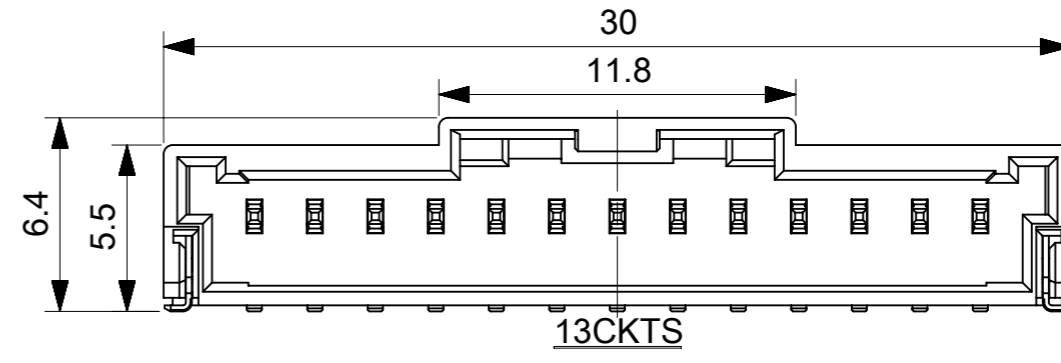
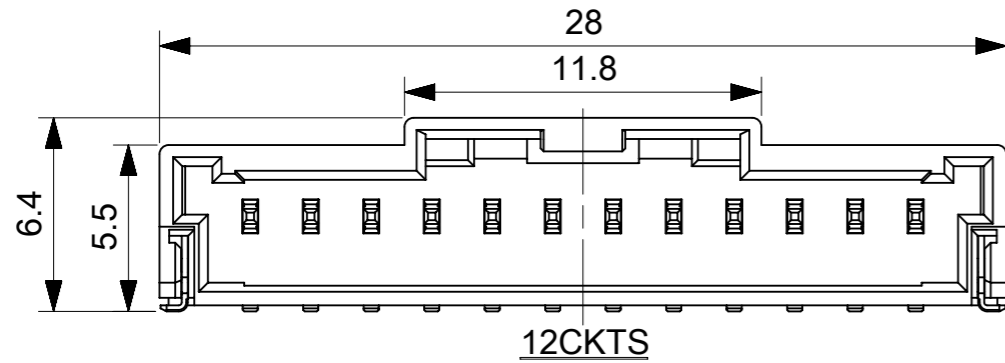
INITIAL REVISION:
 DRWN SHSHIBATA 2007/12/18
 CHECK HKOMATSU 2007/12/18
 APPR AKANESHIGE 2007/12/18

9 8 7 6 5 4 3 2 1

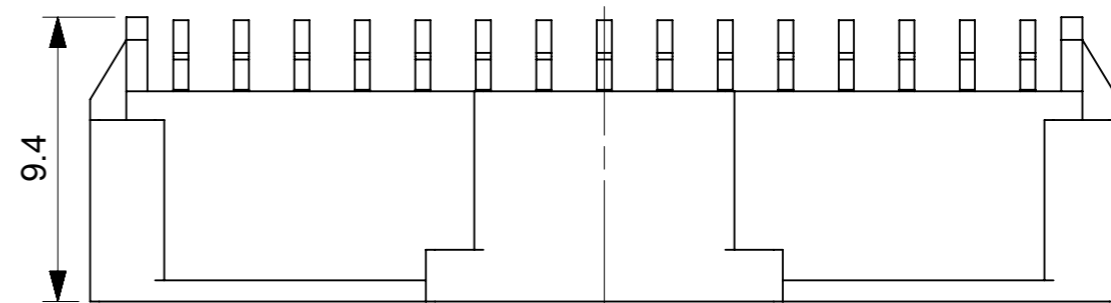
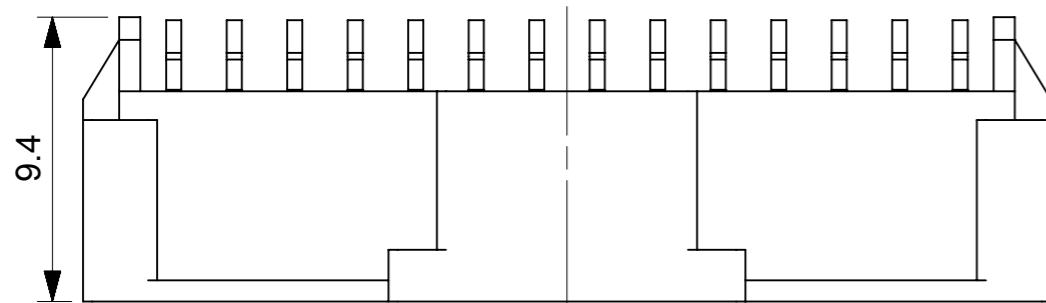
E



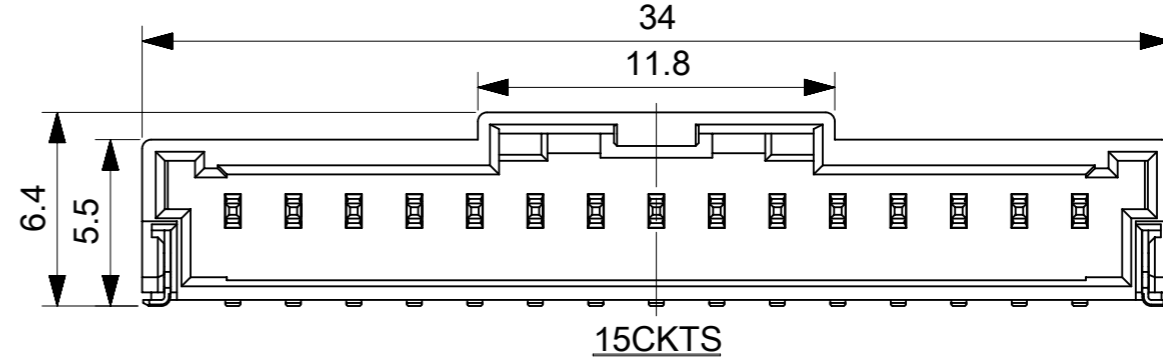
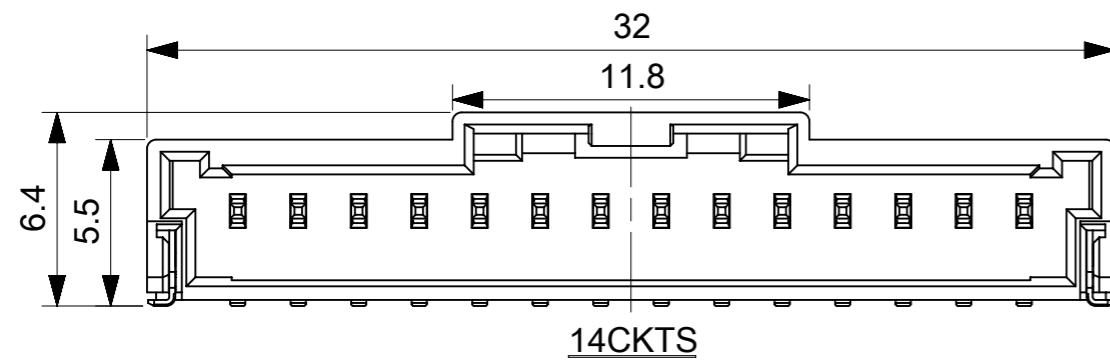
E



D



C



B

A

THIS DRAWING CONTAINS INFORMATION THAT IS PROPRIETARY TO MOLEX ELECTRONIC TECHNOLOGIES, LLC AND SHOULD NOT BE USED WITHOUT WRITTEN PERMISSION									
DIMENSION UNITS		SCALE		CURRENT REV DESC:				molex	
mm		4:1							
GENERAL TOLERANCES (UNLESS SPECIFIED)									
ANGULAR TOL ± °									
4 PLACES ±									
3 PLACES ±									
2 PLACES ±									
1 PLACE ±									
0 PLACES ±									
INITIAL REVISION:				THIRD ANGLE PROJECTION		DRAWING		SERIES	
DRWN SHSHIBATA 2007/12/18				MUST REMAIN WITHIN DIMENSIONS		A3-SIZE		502352	
CHECK HKOMATSU 2007/12/18									
APPR AKANESHIGE 2007/12/18									
				EC NO: 628767		2019/12/09		DOCUMENT NUMBER	
				DRWN: MSATO08		2019/12/10		SD-502352-001	
				CHK'D: HIJIMA		2019/12/10		DOC TYPE	
				APPR: TOSADA		2019/12/13		PSD	
				INITIAL REVISION:				DOC PART	
				DRWN: SHSHIBATA		2008/01/23		001	
				APPR: AKANESHIGE		2008/04/23		REVISION	
								L3	
				DRAFT WHERE APPLICABLE		MATERIAL NUMBER		CUSTOMER	
						SEE CHART		GENERAL MARKET	
								SHEET NUMBER	
								3 OF 4	

A

DOCUMENT STATUS	P1	RELEASE DATE	2019/12/13	01:20:00
-----------------	----	--------------	------------	----------

9 8 7 6 5 4 3 2 1

FORMAT: master-b-prod-A3
REVISION: 11
DATE: 2018/01/18

Sn NATURAL	34.0	502352-1500	15
	32.0	502352-1400	14
	30.0	502352-1300	13
	28.0	502352-1200	12
	26.0	502352-1100	11
	24.0	502352-1000	10
	22.0	502352-0900	9
	20.0	502352-0800	8
	18.0	502352-0700	7
	16.0	502352-0600	6
	14.0	502352-0500	5
	12.0	502352-0400	4
	10.0	502352-0300	3
8.0	502352-0200	2	

PLATING COLOR	A	EMBOSSED PACKAGE ORDER NO.	CKTS
CONNECTOR SERIES NO. 502352-**08			

Sn BLACK	34.0	502352-1501	15
	32.0	502352-1401	14
	30.0	502352-1301	13
	28.0	502352-1201	12
	26.0	502352-1101	11
	24.0	502352-1001	10
	22.0	502352-0901	9
	20.0	502352-0801	8
	18.0	502352-0701	7
	16.0	502352-0601	6
	14.0	502352-0501	5
	12.0	502352-0401	4
	10.0	502352-0301	3
8.0	502352-0201	2	

PLATING COLOR	A	EMBOSSED PACKAGE ORDER NO.	CKTS
CONNECTOR SERIES NO. 502352-**28			

Au NATURAL	34.0	502352-1510	15
	32.0	502352-1410	14
	30.0	502352-1310	13
	28.0	502352-1210	12
	26.0	502352-1110	11
	24.0	502352-1010	10
	22.0	502352-0910	9
	20.0	502352-0810	8
	18.0	502352-0710	7
	16.0	502352-0610	6
	14.0	502352-0510	5
	12.0	502352-0410	4
	10.0	502352-0310	3
8.0	502352-0210	2	

PLATING COLOR	A	EMBOSSED PACKAGE ORDER NO.	CKTS
CONNECTOR SERIES NO. 502352-**18			

Sn RED	-	-	15
	-	-	14
	-	-	13
	-	-	12
	-	-	11
	-	-	10
	-	-	9
	20.0	502352-0802	8
	-	-	7
	16.0	502352-0602	6
	-	-	5
	12.0	502352-0402	4
	10.0	502352-0302	3
8.0	502352-0202	2	

PLATING COLOR	A	EMBOSSED PACKAGE ORDER NO.	CKTS
CONNECTOR SERIES NO. 502352-**48			

Sn BLUE	-	-	15
	-	-	14
	-	-	13
	-	-	12
	-	-	11
	-	-	10
	-	-	9
	20.0	502352-0803	8
	-	-	7
	16.0	502352-0603	6
	-	-	5
	12.0	502352-0403	4
	10.0	502352-0303	3
8.0	502352-0203	2	

PLATING COLOR	A	EMBOSSED PACKAGE ORDER NO.	CKTS
CONNECTOR SERIES NO. 502352-**68			

Sn BLUE	-	-	15
	-	-	14
	-	-	13
	-	-	12
	-	-	11
	-	-	10
	-	-	9
	20.0	502352-0803	8
	-	-	7
	16.0	502352-0603	6
	-	-	5
	12.0	502352-0403	4
	10.0	502352-0303	3
8.0	502352-0203	2	

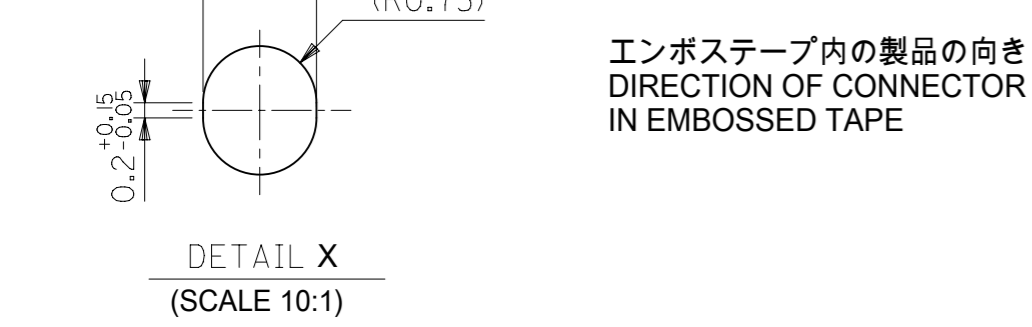
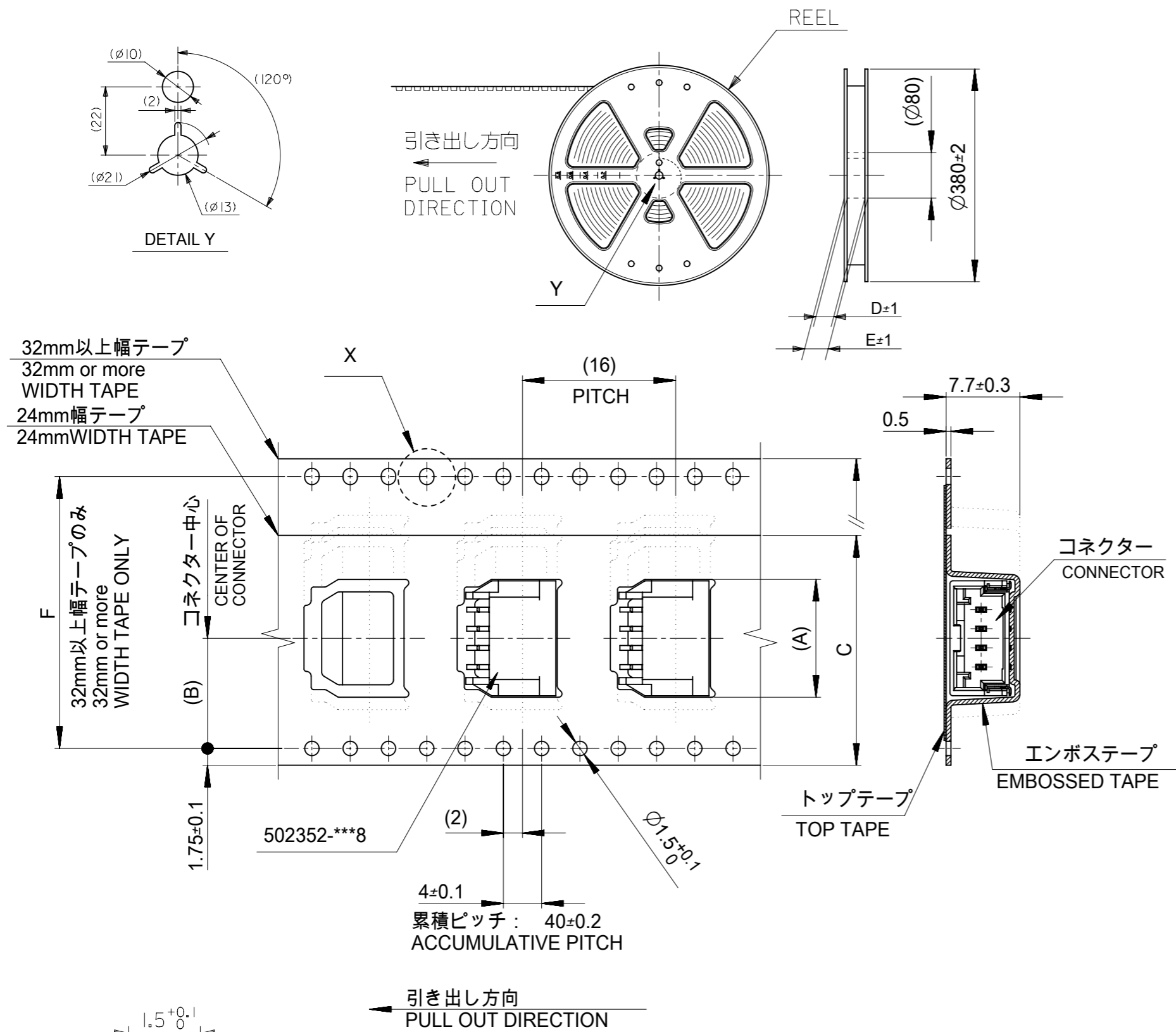
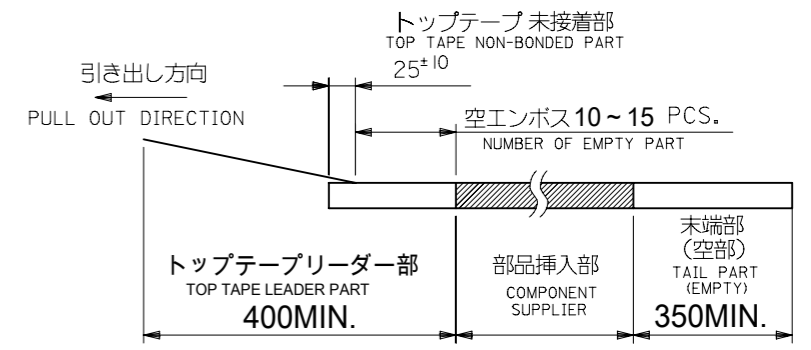
PLATING COLOR	A	EMBOSSED PACKAGE ORDER NO.	CKTS
CONNECTOR SERIES NO. 502352-**68			

INITIAL REVISION:
 DRWN SHSHIBATA 2007/12/18
 CHECK HKOMATSU 2007/12/18
 APPR AKANESHIGE 2007/12/18

THIS DRAWING CONTAINS INFORMATION THAT IS PROPRIETARY TO MOLEX ELECTRONIC TECHNOLOGIES, LLC AND SHOULD NOT BE USED WITHOUT WRITTEN PERMISSION		CURRENT REV DESC:		molex	
DIMENSION UNITS	SCALE	EC NO: 628767			
mm	1:1	DRWN: MSATO08 2019/12/09		2.0MM PITCH W/B CONN. WAFER ASSY R/A SMT	
GENERAL TOLERANCES (UNLESS SPECIFIED)		CHK'D: HIJIMA 2019/12/10		PRODUCT CUSTOMER DRAWING	
ANGULAR TOL	± °	APPR: TOSADA 2019/12/13		DOCUMENT NUMBER	
4 PLACES	±	INITIAL REVISION:		SD-502352-001	
3 PLACES	±	DRWN: SHSHIBATA 2008/01/23		DOC TYPE	DOC PART
2 PLACES	±	APPR: AKANESHIGE 2008/04/23		001	L3
1 PLACE	±	DRAFT WHERE APPLICABLE MUST REMAIN WITHIN DIMENSIONS		SHEET NUMBER	
0 PLACES	±	THIRD ANGLE PROJECTION	DRAWING	SERIES	MATERIAL NUMBER
			A3-SIZE	502352	SEE CHART
		CUSTOMER	GENERAL MARKET		
		4 OF 4			

注記
NOTES

- 製品番号
 ナチュラル・錫めっき: 502352-**00
 ナチュラル・金めっき: 502352-**10
 黒・錫めっき: 502352-**01
 赤・錫めっき: 502352-**02
 青・錫めっき: 502352-**03
 詳細寸法については、製品単体図面を参照下さい。
 PART NO.
 NATURAL Sn Plating: 502352-**00
 NATURAL Au Plating: 502352-**10
 BLACK Sn Plating: 502352-**01
 RED Sn Plating: 502352-**02
 BLUE Sn Plating: 502352-**03
 SEE SALES DRAWING FOR CONNECTOR
- 梱包数量: 700個/リール
 NUMBER OF CONNECTORS 700PCS/REEL
- リードテープ長さ
 LEAD TAPE LENGHT
- 材料
 MATERIAL
 キャリアテープ: ポリスチレン
 CARRIER TAPE: POLYSTYRENE
 トップテープ: PET, PE, PEF
 TOP TAPE: PET, PE, PEF
 リール: ポリスチレン
 REEL: POLYSTYRENE
- 一般公差
 GENERAL TOLERANCES
 10 UNDER: ±0.2
 10 OVER 30 UNDER: ±0.25
 30 OVER: ±0.3
 ANGULAR: ±1°




THIS DRAWING CONTAINS INFORMATION THAT IS PROPRIETARY TO MOLEX ELECTRONIC TECHNOLOGIES, LLC AND SHOULD NOT BE USED WITHOUT WRITTEN PERMISSION		CURRENT REV DESC:		molex	
DIMENSION UNITS	SCALE				
mm	NTS			2.0MM PITCH W/B CONN. WAFFER ASSY EMBOSSED TAPE PACKAGE	
GENERAL TOLERANCES (UNLESS SPECIFIED)		EC NO: 629663		PRODUCT CUSTOMER DRAWING	
ANGULAR TOL	±	DRWN: MSATO08	2019/12/26	DOCUMENT NUMBER	
4 PLACES	±	CHK'D: HIJIMA	2019/12/27	SD-502352-002	
3 PLACES	±	APPR: TOSADA	2019/12/27	DOC TYPE	DOC PART
2 PLACES	±	INITIAL REVISION:		PSD	001
1 PLACE	±	DRWN: SHSHIBATA	2007/06/19	REVISION	
0 PLACES	±	APPR: AKANESHIGE	2007/06/19	K2	
DRAFT WHERE APPLICABLE MUST REMAIN WITHIN DIMENSIONS		THIRD ANGLE PROJECTION	DRAWING	SERIES	MATERIAL NUMBER
			A3-SIZE	502352	CUSTOMER
					GENERAL MARKET
					SHEET NUMBER
					1 OF 2

INITIAL REVISION:		
DRWN	SHSHIBATA	2007/06/06
CHECK	TAITO	2007/06/06
APPR	MAYAMAMOTO	2012/03/14

E	Sn NATURAL	52.4	61.4	57.4	56	26.2	34.3	502352-1500	15	Au NATURAL	52.4	61.4	57.4	56	26.2	34.3	502352-1510	15
							32.3	502352-1400	14							32.3	502352-1410	14
		40.4	49.4	45.4	44	20.2	30.3	502352-1300	13		40.4	49.4	45.4	44	20.2	30.3	502352-1310	13
							28.3	502352-1200	12							28.3	502352-1210	12
							26.3	502352-1100	11							26.3	502352-1110	11
							24.3	502352-1000	10							24.3	502352-1010	10
							22.3	502352-0900	9							22.3	502352-0910	9
		28.4	37.4	33.4	32	14.2	20.3	502352-0800	8		28.4	37.4	33.4	32	14.2	20.3	502352-0810	8
							18.3	502352-0700	7							18.3	502352-0710	7
							16.3	502352-0600	6							16.3	502352-0610	6
							14.3	502352-0500	5							14.3	502352-0510	5
							12.3	502352-0400	4							12.3	502352-0410	4
		/	29.4	25.4	24	11.5	10.3	502352-0300	3		/	29.4	25.4	24	11.5	10.3	502352-0310	3
							8.3	502352-0200	2							8.3	502352-0210	2
							PLATING COLOR									F	E	D

C	Sn BLACK	52.4	61.4	57.4	56	26.2	34.3	502352-1501	15	Sn RED	/	/	/	/	/	15		
							32.3	502352-1401	14							14		
		40.4	49.4	45.4	44	20.2	30.3	502352-1301	13		40.4	49.4	45.4	44	20.2	30.3	502352-1301	13
							28.3	502352-1201	12							28.3	502352-1201	12
							26.3	502352-1101	11							26.3	502352-1101	11
							24.3	502352-1001	10							24.3	502352-1001	10
							22.3	502352-0901	9							22.3	502352-0901	9
		28.4	37.4	33.4	32	14.2	20.3	502352-0801	8		28.4	37.4	33.4	32	14.2	20.3	502352-0802	8
							18.3	502352-0701	7							18.3	502352-0701	7
							16.3	502352-0601	6							16.3	502352-0602	6
							14.3	502352-0501	5							14.3	502352-0501	5
							12.3	502352-0401	4							12.3	502352-0402	4
		/	29.4	25.4	24	11.5	10.3	502352-0301	3		/	29.4	25.4	24	11.5	10.3	502352-0302	3
							8.3	502352-0201	2							8.3	502352-0202	2
							PLATING COLOR									F	E	D

THIS DRAWING CONTAINS INFORMATION THAT IS PROPRIETARY TO MOLEX ELECTRONIC TECHNOLOGIES, LLC AND SHOULD NOT BE USED WITHOUT WRITTEN PERMISSION									
DIMENSION UNITS: mm		SCALE: NTS		CURRENT REV DESC:					
GENERAL TOLERANCES (UNLESS SPECIFIED)		ANGULAR TOL ± °		EC NO: 629663					
4 PLACES ±		3 PLACES ±		DRWN: MSATO08 2019/12/26				2.0MM PITCH W/B CONN. WAFER ASSY EMBOSSED TAPE PACKAGE	
2 PLACES ±		1 PLACE ±		CHK'D: HIJIMA 2019/12/27				PRODUCT CUSTOMER DRAWING	
0 PLACES ±		DRAFT WHERE APPLICABLE MUST REMAIN WITHIN DIMENSIONS		APPR: TOSADA 2019/12/27				DOCUMENT NUMBER: SD-502352-002	
THIRD ANGLE PROJECTION		DRAWING: A3-SIZE		SERIES: 502352				DOC TYPE: PSD	
MATERIAL NUMBER: SEE CHART		CUSTOMER: GENERAL MARKET		SHEET NUMBER: 2 OF 2				DOC PART: 001	
REVISION: K2		DATE: 2018/01/18		DATE: 2019/12/27				DATE: 08:05:27	