



产品编号 : 5024430560

系列号 : 502443

Product Category : PCB Headers and Receptacles

Product Description : 2.00mm Pitch CLIK-Mate Wire-to-Board PCB Receptacle, Single Row, Vertical, with Cover Tape, 5 Circuits

状态 : Active

文件和资源

图纸

图纸 5024430560_sd.pdf

3D 模型和设计文件


3D模型 5024430560_stp.zip

规格

产品规格 5024431570-000.pdf

产物环境合规

合规

GADSL/IMDS	Compliant with Exemption 44; 33
China RoHS	
EU ELV	Not Relevant
Low-Halogen Status	Not Low-Halogen per IEC 61249-2-21
REACH SVHC	Not Contained per D(2023)8585-DC (23 Jan 2024)
EU RoHS	Compliant per EU 2015/863

多部分产品合规性声明

- Eu RoHS
- REACH SVHC
- Low-Halogen

- IPC 1752A Class C
- IPC 1752A Class D
- Molex Product Compliance Declaration
- IEC-62474
- chemSHERPA (xml)

产品详情

常规

状态	活动
类别	PCB Headers and Receptacles
系列	502443
说明	2.00mm Pitch CLIK-Mate Wire-to-Board PCB Receptacle, Single Row, Vertical, with Cover Tape, 5 Circuits
应用	Signal, Wire-to-Board
个评论	See Product Specification for maximum current rating by circuit size and wire AWG
元件类型	PCB Receptacle
产品系列	CLIK-Mate Wire-to-Board Connectors
产品名称	CLIK-Mate
UPC	191128132855

电气

每触点最大电流	3.0A
电压 - 最大	250V AC (RMS)/DC

物理

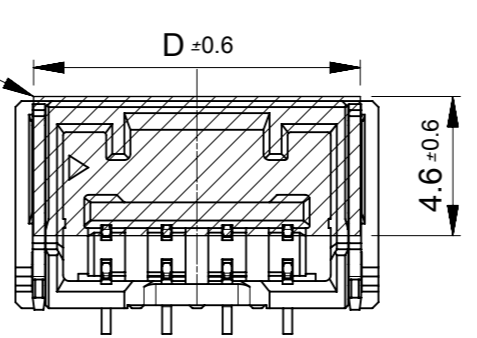
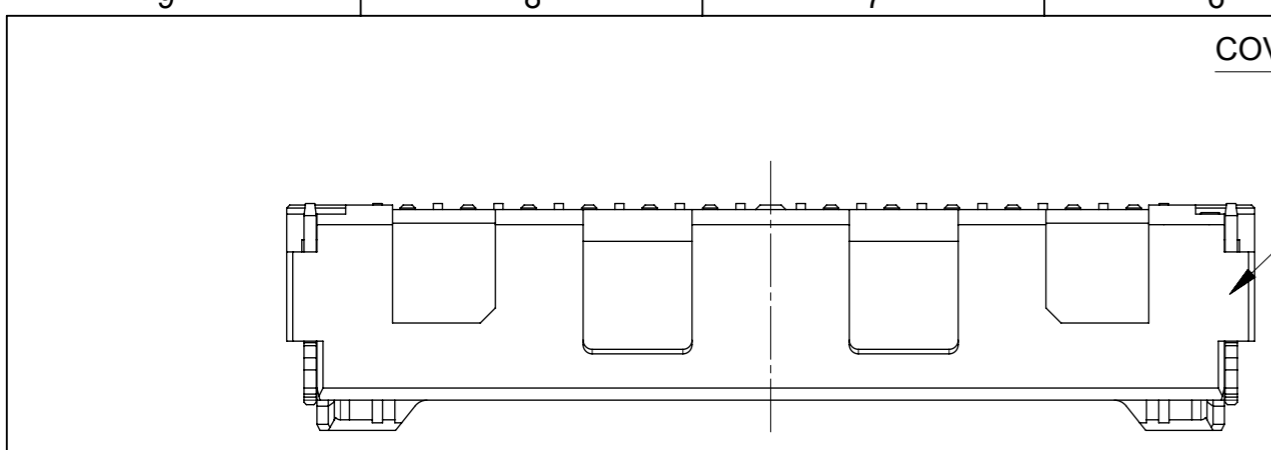
回路数 (已载入)	5
电路数 (最多)	5
颜色-树脂	Natural
耐用性(插拔次数) - 最多次数	30
符合灼热丝规范	否
可配插产品指南	是
插接极性	是
锁定插接部位	是
插配长度	10.90mm
材料 - 接合部位电镀	Tin
材料 - 终端电镀	Tin

净重	711.000/mg
行数	1
方向	垂直
包装形式	Embossed Tape on Reel
PCB 定位器	否
PCB 保持力	是
间距 - 插配接口	2.00mm
有极性的插配件	是
PCB 极性	是
自动布局	Vacuum Pick-Up Tape
可堆叠的	否
运行温度范围	-40° to +105° C
终端界面类型	Surface Mount

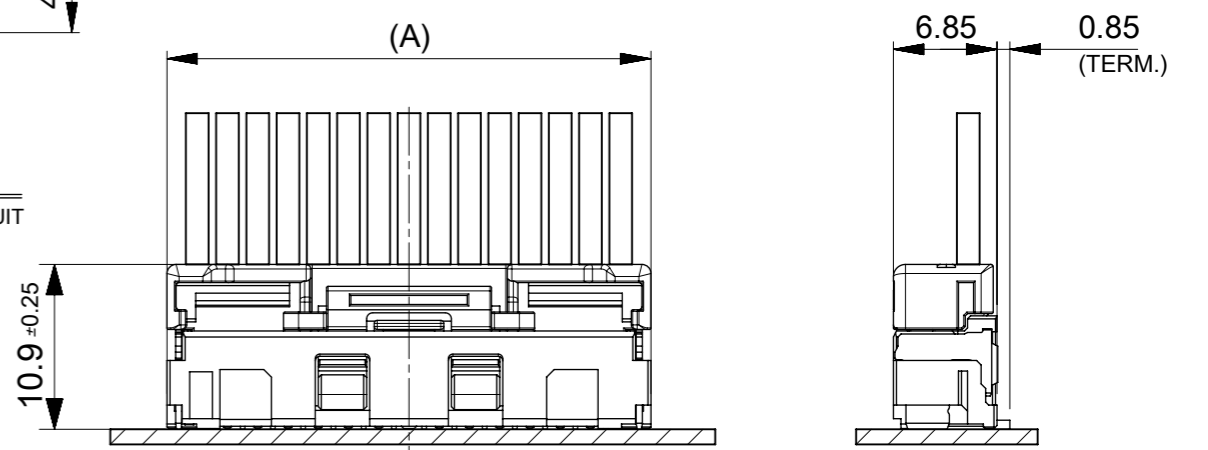
可配插/可连接使用的产品

可配插部件

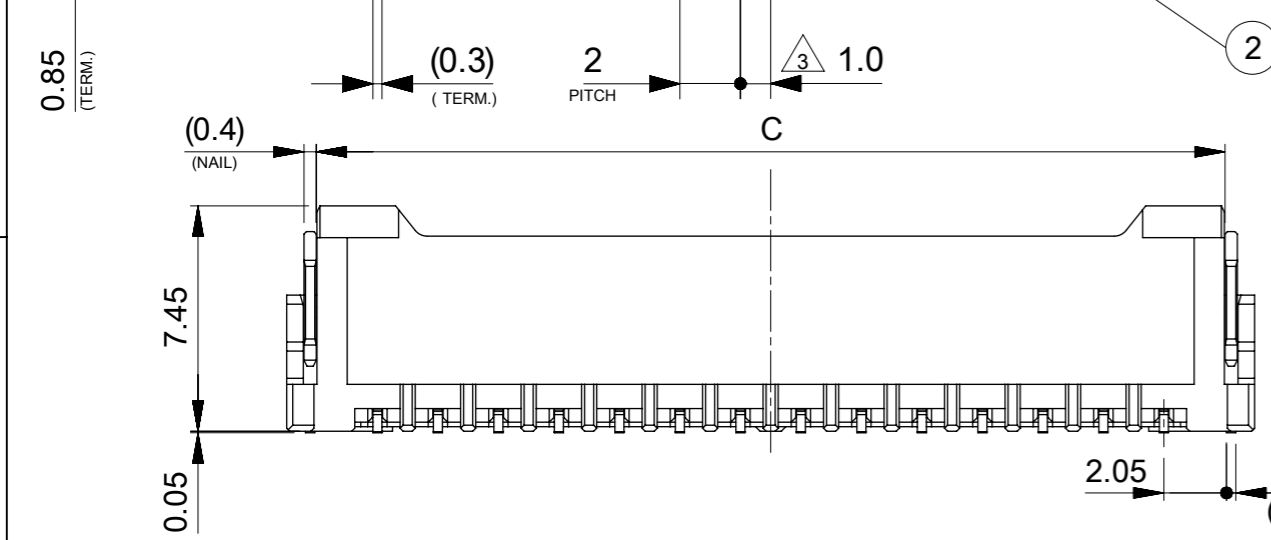
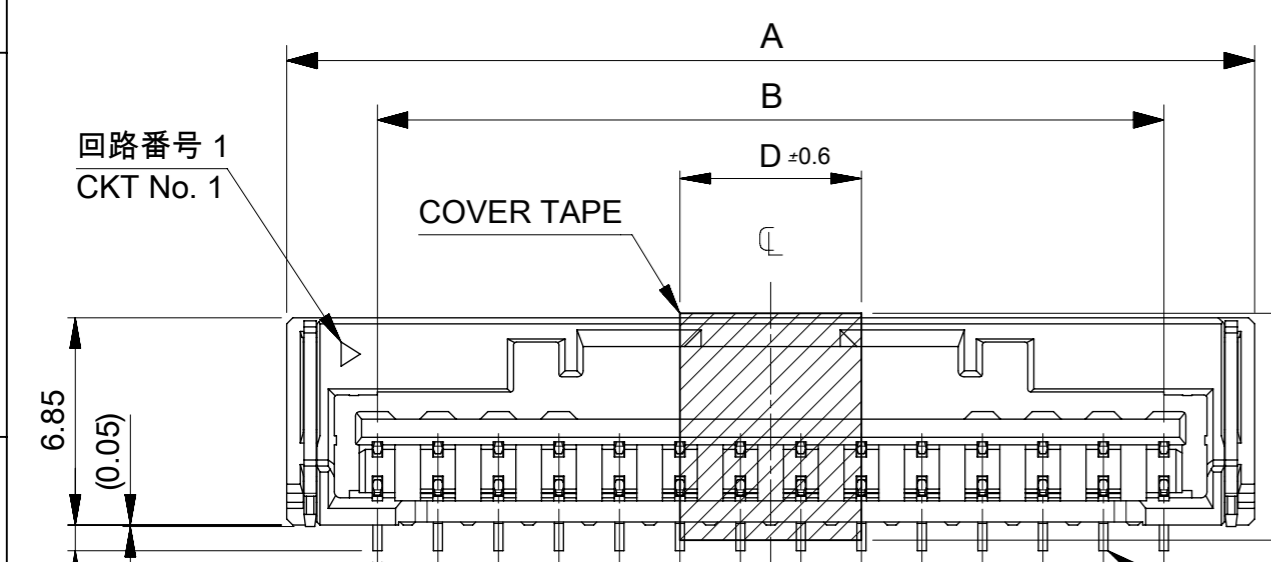
描述	产品编号
2.00mm Pitch CLIK-Mate Single Row Plug Housings	<u>502439</u>



2~5極カバーテープ形状
COVER TAPE FIGURE OF 2-5 CIRCUIT



嵌合図 MATED CONNECTOR
(SCALE : 2-1)



NOTES

1. 嵌合相手 : 502439-**00
MATE WITH : 502439-**00
2. 端子テール部 及び ネイルの平坦度: 0.1MAX
TAIL AND NAIL COPLANARITY TO BE 0.1 MAX.
3. 極数/2 = 偶数に適用
APPLY FOR CKT. SIZE /2 = EVEN.
4. 端子テール部 及び ネイルに錫めつきを使用しているため、
外観に摺動痕が付く場合がございます。
THE WOUND OF FRICTION MIGHT ADHERE TO EXTERNALS
BECAUSE THE TIN PLATING IS USED FOR THE NAIL AND NAIL.
5. 本製品のプラスチック部に黒点等が確認される場合や
色合いが異なる場合がありますが、製品性能に影響はありません。
THE BLACK SPOT ETC. MIGHT BE CONFIRMED TO THE PLASTIC PART
OF THIS PRODUCT AND THE SHADE MIGHT BE DIFFERENT.
6. 梱包形状詳細については、5024431570PSD000を参照下さい。
PLEASE REFER TO 5024431570PSD000 FOR THE DETAILED FORM OF THE PACKAGE.

6.0	32	28	34	502443-1560	15
6.0	30	26	32	502443-1460	14
6.0	28	24	30	502443-1360	13
6.0	26	22	28	502443-1260	12
					11
					10
6.0	20	16	22	502443-0960	9
6.0	18	14	20	502443-0860	8
6.0	16	12	18	502443-0760	7
6.0	14	10	16	502443-0660	6
12.8	12	8	14	502443-0560	5
10.8	10	6	12	502443-0460	4
8.8	8	4	10	502443-0360	3
6.8	6	2	8	502443-0260	2
D	C	B	A	EMBOSSED TAPE PACKAGE 注文番号 ORDER NO.	極数 CKT.NO.

番号 NO.	部品 PART	材質 MATERIAL
①	ハウジング HOUSING	ポリアミド UL94V-0 色 : ナチュラル POLYAMIDE UL94V-0 COLOR:NATURAL
②	ターミナル TERMINAL	銅合金 COPPER ALLOY
		錫めつき : 1.0 micro-meter MIN. MATTE TIN PLATING(TAIL AREA) ニッケルめつき(下地) : 1.0 micro-meter MIN. NICKEL (UNDER PLATING)
③	ネイル NAIL	銅合金 COPPER ALLOY
		錫めつき : 1.0 micro-meter MIN. MATTE TIN PLATING ニッケルめつき(下地) : 1.0 micro-meter MIN. NICKEL (UNDER PLATING)

RELEASE STATUS P1 RELEASE DATE 07.03.2017 11:17:21

THIS DRAWING CONTAINS INFORMATION THAT IS PROPRIETARY TO MOLEX ELECTRONIC TECHNOLOGIES, LLC AND SHOULD NOT BE USED WITHOUT WRITTEN PERMISSION

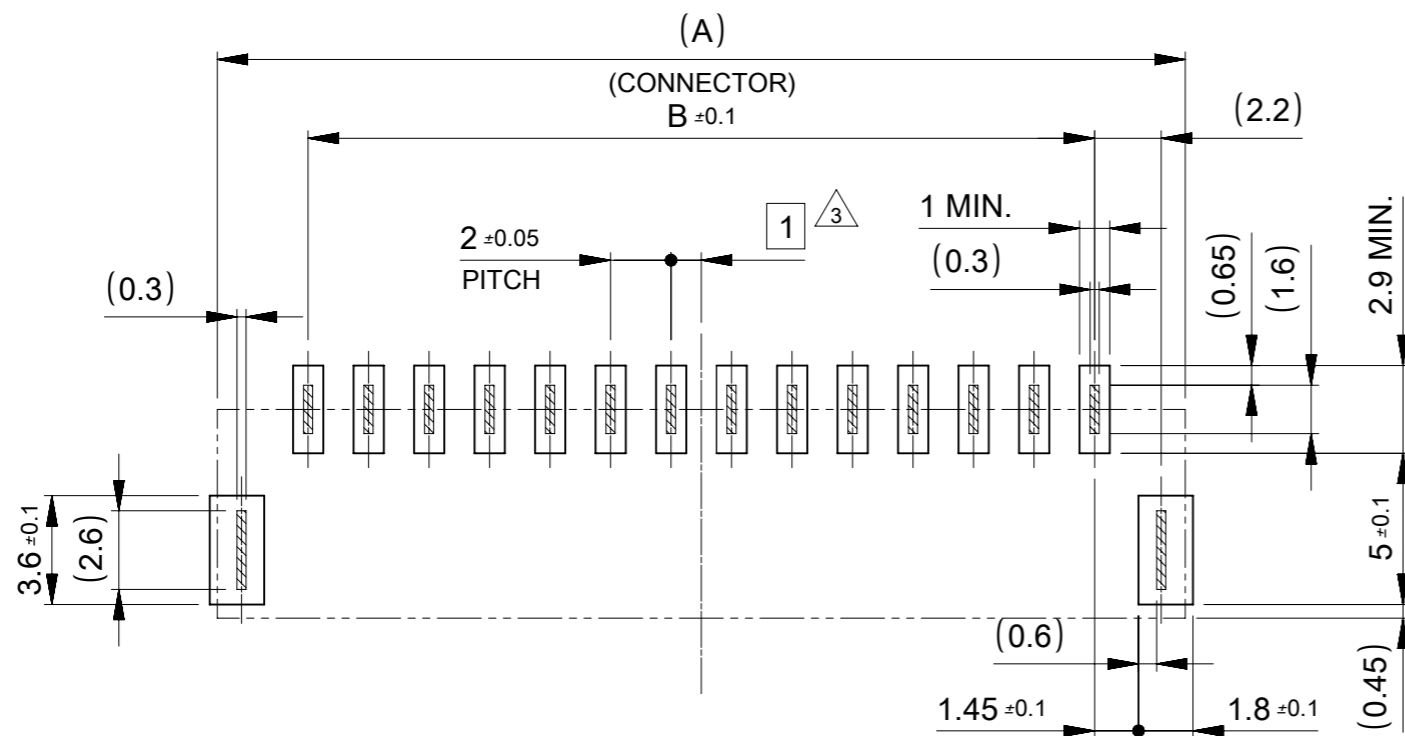
EC NO: 113635 DRWN: RWATANABE01 CHK'D: AIDA APPR: TKANEKO	2016/09/20	2017/03/07	GENERAL TOLERANCES (UNLESS SPECIFIED)		DIMENSION UNITS	SCALE	
	RELEASED RWATANABE01 AIDA TKANEKO	ANGULAR TOL ± 3.0 °		MM	4:1	DRWN BY	DATE
		4 PLACES ± 0.2	RWATANABE01		2016/09/20		
		3 PLACES ± 0.2	CHK'D BY		DATE		
		2 PLACES ± 0.2	AIDA		2017/03/07		
1 PLACE ± 0.2	APPR BY		DATE				
0 PLACES ± 0.2	TKANEKO		2017/03/07				
DRAFT WHERE APPLICABLE MUST REMAIN WITHIN DIMENSIONS			DRAWING SIZE	THIRD ANGLE PROJECTION			
A	REV		A3				

molex[®]

CLIK-MATE 2.0
SINGLE ROW ST TYPE REC. ASSY
WITH COVER TAPE

PRODUCT CUSTOMER DRAWING

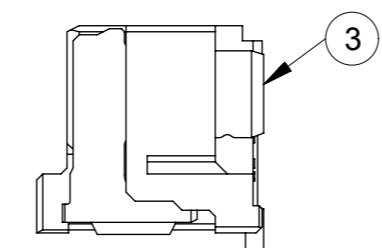
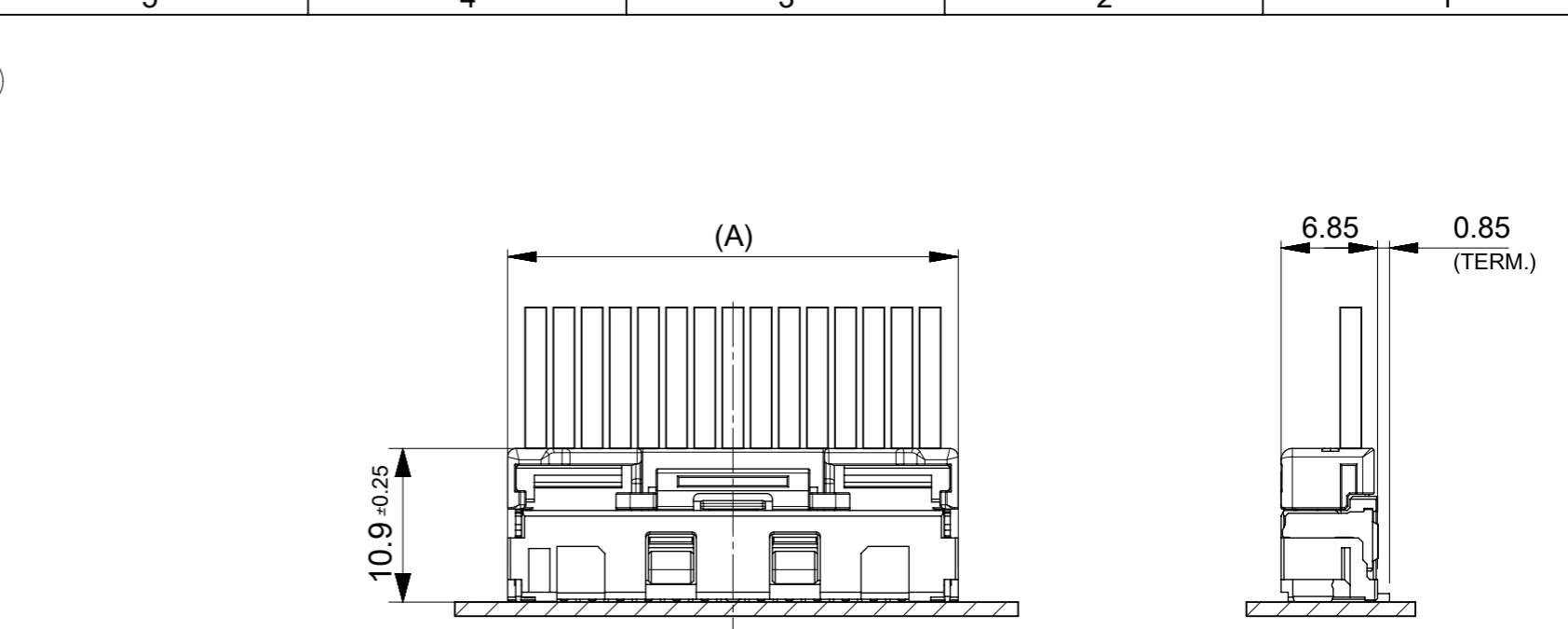
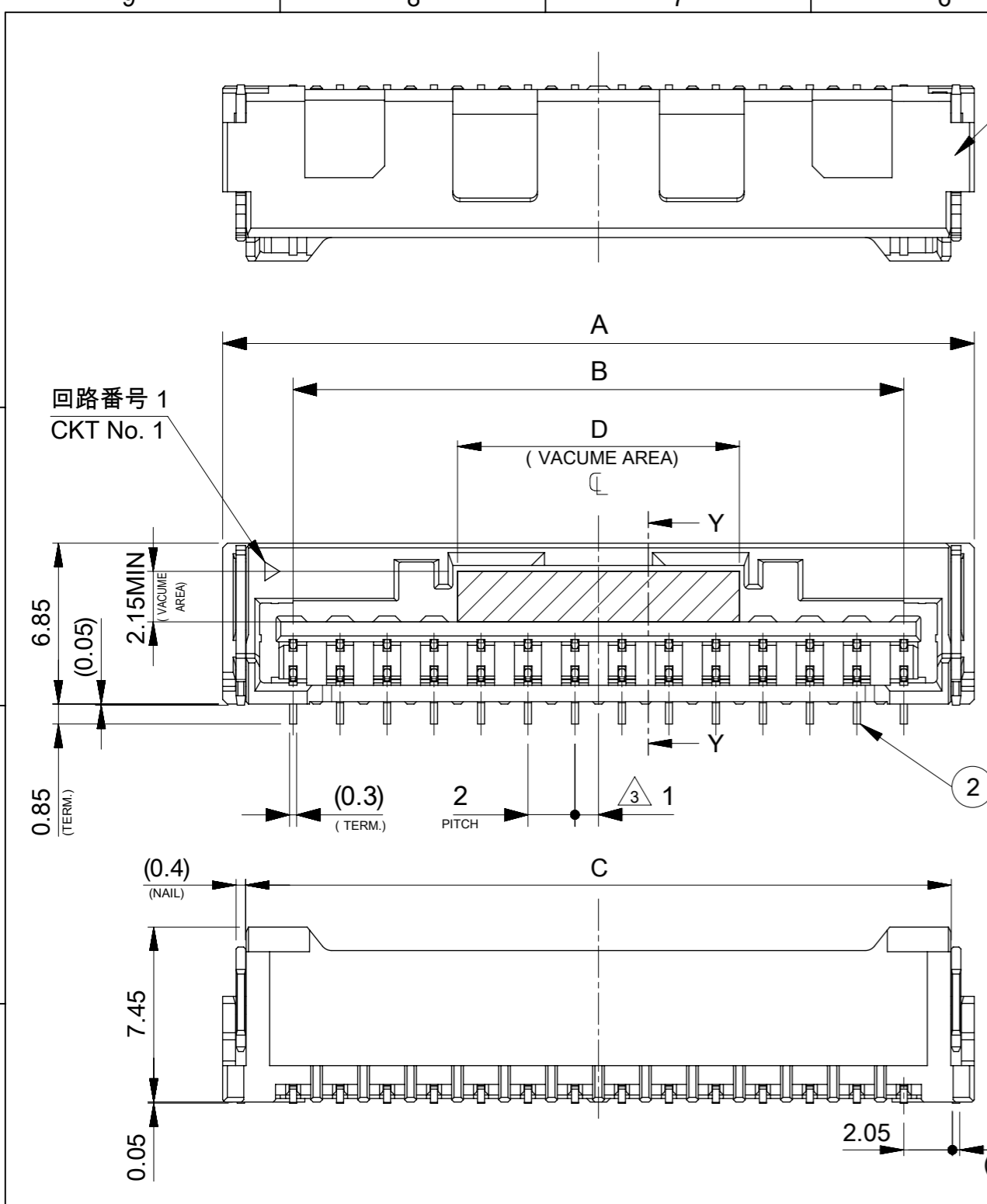
SERIES	MATERIAL NUMBER	CUSTOMER
502443	SEE TABLE	GENERAL
DOCUMENT NUMBER	DOC TYPE	DOC PART
5024431508	PSD	000
SHEET NUMBER		1 OF 2



基板パターンレイアウト(参考)
RECCOMENDED P.C.B PATTERN LAYOUT (REF.)

THIS DRAWING CONTAINS INFORMATION THAT IS PROPRIETARY TO MOLEX ELECTRONIC TECHNOLOGIES, LLC AND SHOULD NOT BE USED WITHOUT WRITTEN PERMISSION

EC NO: 113635 DRWN: RWATANABE01 CHK'D: AIDA APPR: TKANEKO	2016/09/20 2017/03/07	2017/03/07 2017/03/07	GENERAL TOLERANCES (UNLESS SPECIFIED) ANGULAR TOL ± 3.0 °	DIMENSION UNITS: MM SCALE: 4:1	
	4 PLACES ± 0.2 3 PLACES ± 0.2 2 PLACES ± 0.2 1 PLACE ± 0.2 0 PLACES ± 0.2	DRWN BY: RWATANABE01 DATE: 2016/09/20	CHK'D BY: AIDA DATE: 2017/03/07	PRODUCT CUSTOMER DRAWING	
	DRAFT WHERE APPLICABLE MUST REMAIN WITHIN DIMENSIONS	APPR BY: TKANEKO DATE: 2017/03/07	DRAWING SIZE: A3 THIRD ANGLE PROJECTION	SERIES: 502443 MATERIAL NUMBER: SEE TABLE CUSTOMER: GENERAL	
	A	REV:	DIMENSION UNITS: MM SCALE: 4:1	DOCUMENT NUMBER: 5024431508 DOC TYPE: PSD DOC PART: 000 SHEET NUMBER: 2 OF 2	
	RELEASED	EC NO: 113635 DRWN: RWATANABE01 CHK'D: AIDA APPR: TKANEKO	2016/09/20 2017/03/07	GENERAL TOLERANCES (UNLESS SPECIFIED) ANGULAR TOL ± 3.0 °	



嵌合図 MATED CONNECTOR
(SCALE : 2-1)

NOTES

1. 嵌合相手 : 502439-**00
MATE WITH : 502439-**00
2. 端子テール部 及び ネイルの平坦度: 0.1MAX
TAIL AND NAIL COPLANARITY TO BE 0.1 MAX.
3. 極数/2 = 偶数に適用
APPLY FOR CKT. SIZE /2 = EVEN.
4. 端子テール部 及び ネイルに錫めっきを使用しているため、
外観に摺動痕が付く場合がございます。
BECAUSE THE TIN PLATING IS USED FOR THE NAIL AND NAIL.
THE WOUND OF FRICTION MIGHT ADHERE TO EXTERNALS.
5. 本製品のプラスチック部に黒点等が確認される場合や
色合いが異なる場合がありますが、製品性能に影響はありません。
THERE IS NO INFLUENCE IN THE PRODUCT PERFORMANCE THOUGH
THE BLACK SPOT ETC. MIGHT BE CONFIRMED TO THE PLASTIC PART
OF THIS PRODUCT AND THE SHADE MIGHT BE DIFFERENT.
6. ELV 及び RoHS 適合品
ELV AND RoHS COMPLIANT
7. 梱包形状詳細については、5024431570PSD000を参照下さい。
PLEASE REFER TO 5024431570PSD000 FOR THE DETAILED FORM OF THE PACKAGE.

16	32	28	34	502443-1570	15
12	30	26	32	502443-1470	14
12	28	24	30	502443-1370	13
12	26	22	28	502443-1270	12
					11
					10
12	20	16	22	502443-0970	9
12	18	14	20	502443-0870	8
10	16	12	18	502443-0770	7
8	14	10	16	502443-0670	6
6	12	8	14	502443-0570	5
4	10	6	12	502443-0470	4
2.9	8	4	10	502443-0370	3
3.7	6	2	8	502443-0270	2
D	C	B	A	EMBOSSED TAPE PACKAGE 注文番号 ORDER NO.	極数 CKT.NO.

番号 NO.	部品 PART	材質 MATERIAL
①	ハウジング HOUSING	ポリアミド UL94V-0 色 : ナチュラル POLYAMIDE UL94V-0 COLOR:NATURAL
②	ターミナル TERMINAL	銅合金 COPPER ALLOY
		錫めっき : 1.0 micro-meter MIN. MATTE TIN PLATING(TAIL AREA) ニッケルめっき(下地) : 1.0 micro-meter MIN. NICKEL (UNDER PLATING)
③	ネイル NAIL	銅合金 COPPER ALLOY
		錫めっき : 1.0 micro-meter MIN. MATTE TIN PLATING ニッケルめっき(下地) : 1.0 micro-meter MIN. NICKEL (UNDER PLATING)

RELEASE STATUS	P1	RELEASE DATE	31.07.2017	09:56:27
----------------	----	--------------	------------	----------

THIS DRAWING CONTAINS INFORMATION THAT IS PROPRIETARY TO MOLEX ELECTRONIC TECHNOLOGIES, LLC AND SHOULD NOT BE USED WITHOUT WRITTEN PERMISSION

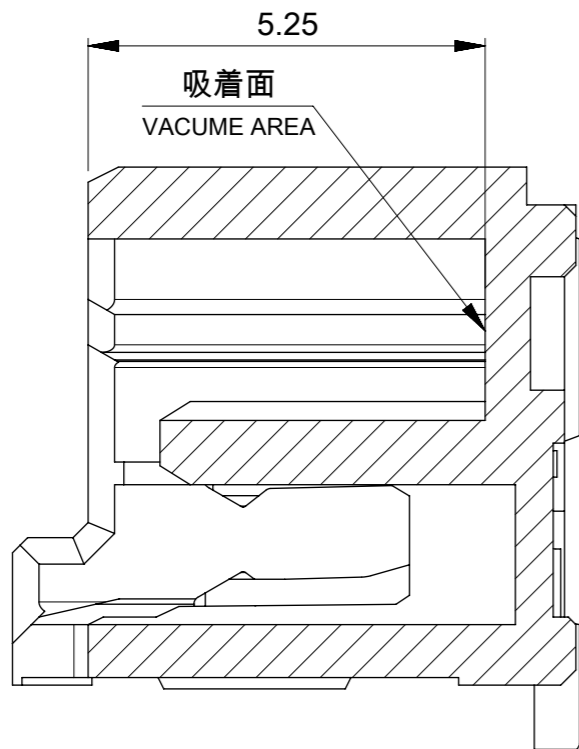
REVISED	EC NO: 120034	DRWN: AISHIKAWA	CHK'D: AIDA	APPR: TKANEKO	DATE: 2017/07/28	DATE: 2017/07/31	DATE: 2017/07/31
	GENERAL TOLERANCES (UNLESS SPECIFIED)		DIMENSION UNITS		SCALE		
	ANGULAR TOL ± 3.0 °		MM		4:1		
	4 PLACES ± 0.2	DRWN BY		DATE		AISHIKAWA 2016/04/19	
3 PLACES ± 0.2	CHK'D BY		DATE		KOMURAKAMI 2016/04/28		
2 PLACES ± 0.2	APPR BY		DATE		TKANEKO 2016/04/28		
1 PLACE ± 0.2	DRAWING SIZE		THIRD ANGLE PROJECTION		A3		
0 PLACES ± 0.2	DRAFT WHERE APPLICABLE MUST REMAIN WITHIN DIMENSIONS						

CLIK-MATE 2.0MM PITCH
W/B CONN. ST TYPE REC. ASSY 2-15CKT

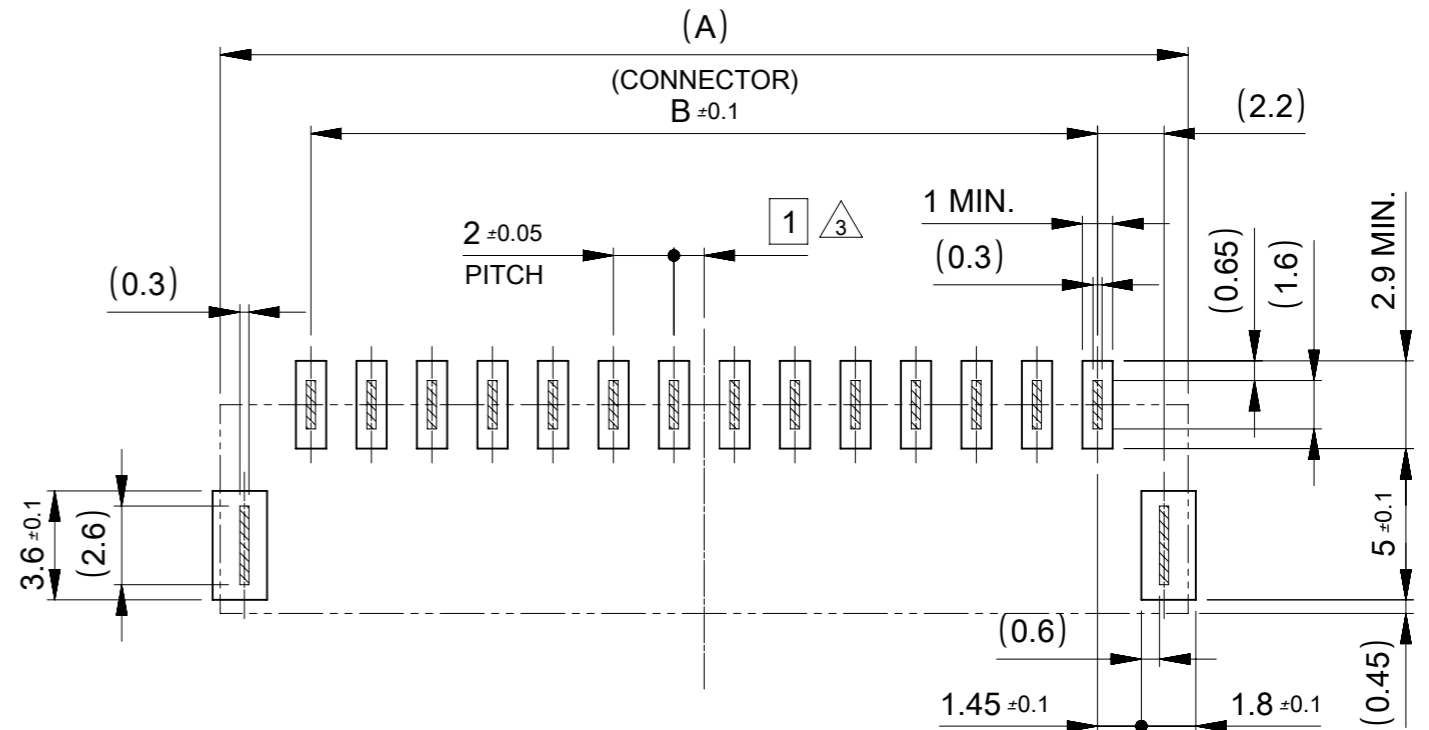
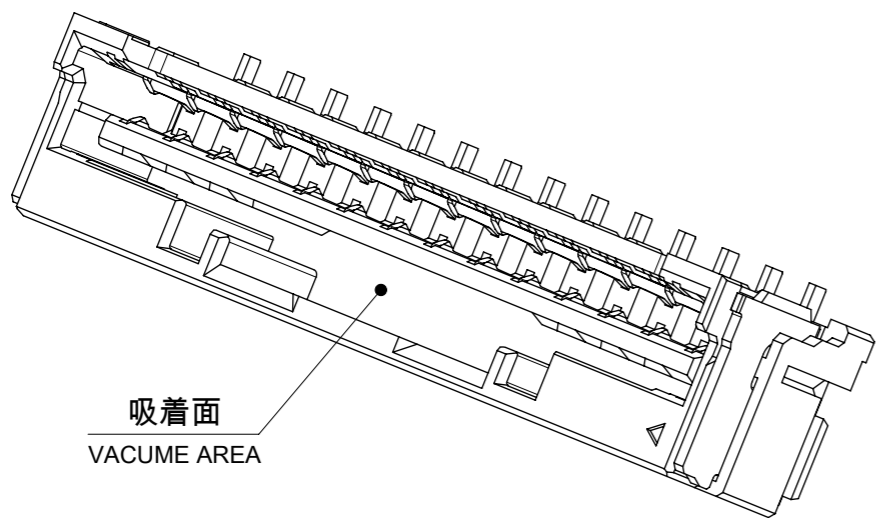
PRODUCT CUSTOMER DRAWING

SERIES	MATERIAL NUMBER	CUSTOMER
502443	SEE TABLE	GENERAL

DOCUMENT NUMBER	DOC TYPE	DOC PART	SHEET NUMBER
5024431509	PSD	000	1 OF 2



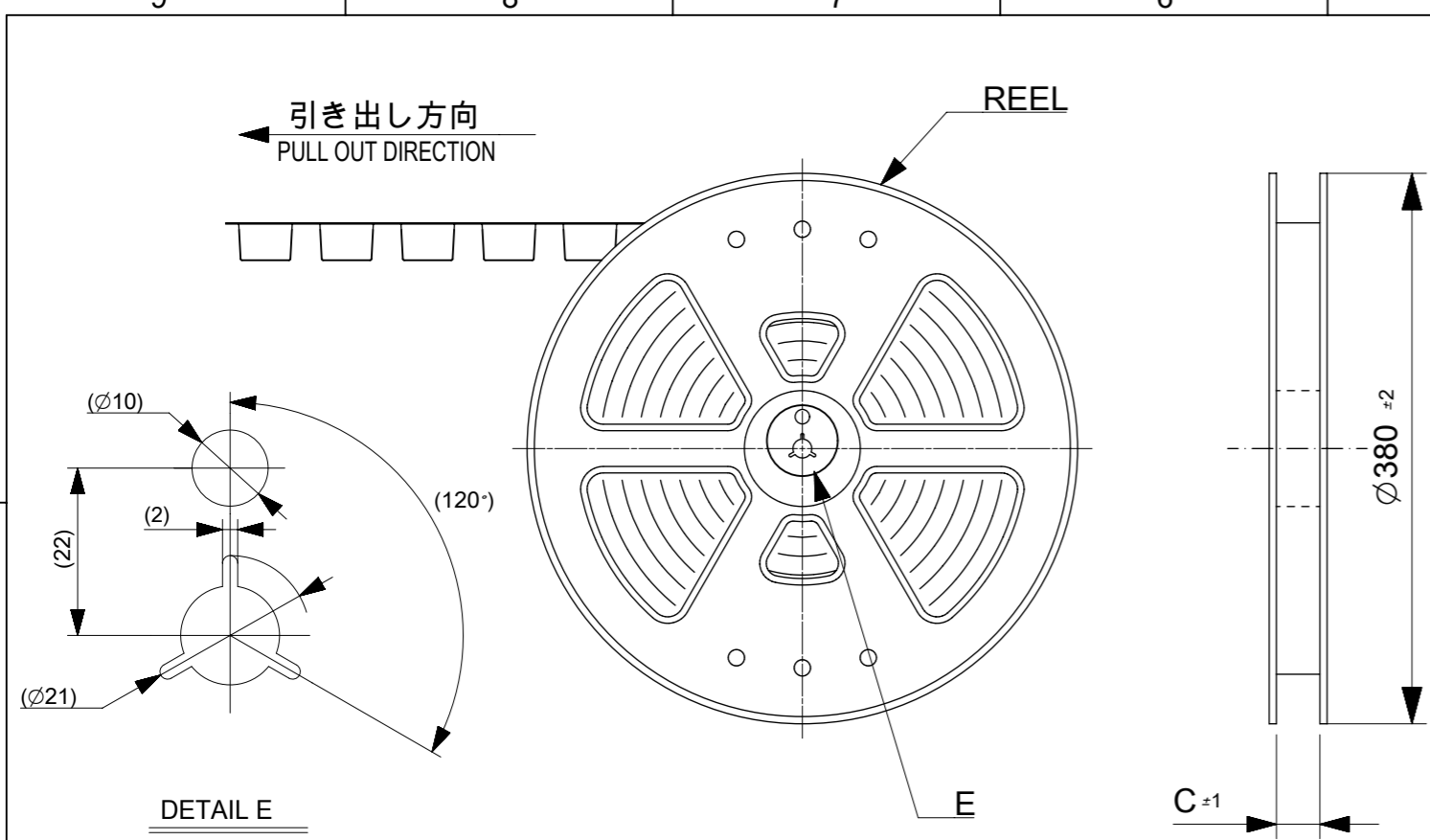
SECTION Y-Y
(SCALE :10-1)



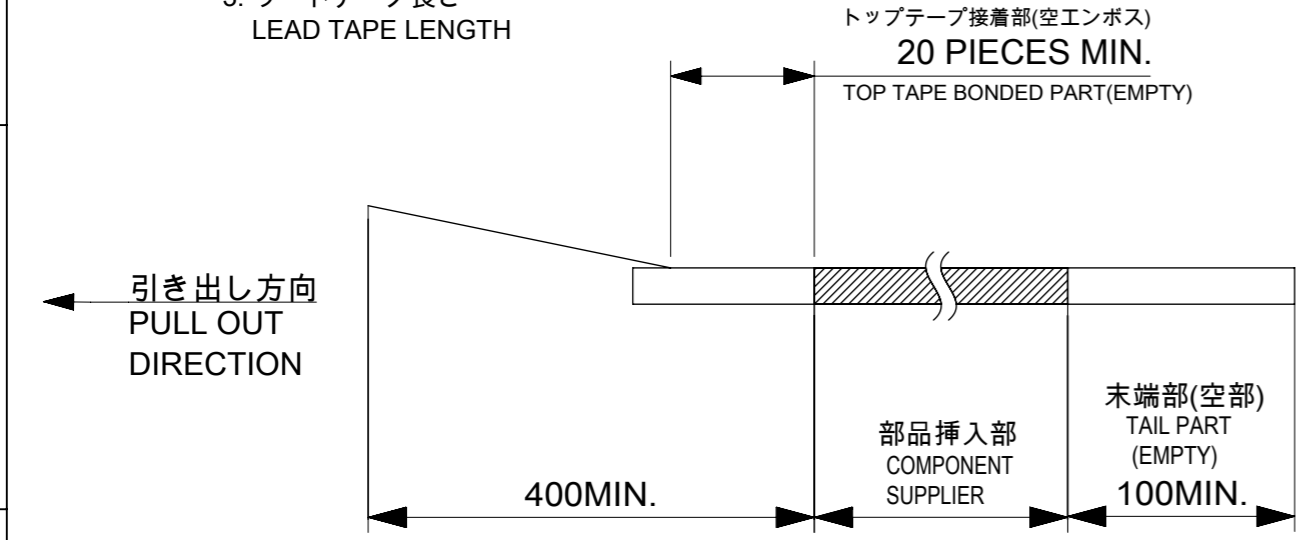
基板パターンレイアウト(参考)
RECOMMENDED P.C.B PATTERN LAYOUT (REF.)

THIS DRAWING CONTAINS INFORMATION THAT IS PROPRIETARY TO MOLEX ELECTRONIC TECHNOLOGIES, LLC AND SHOULD NOT BE USED WITHOUT WRITTEN PERMISSION

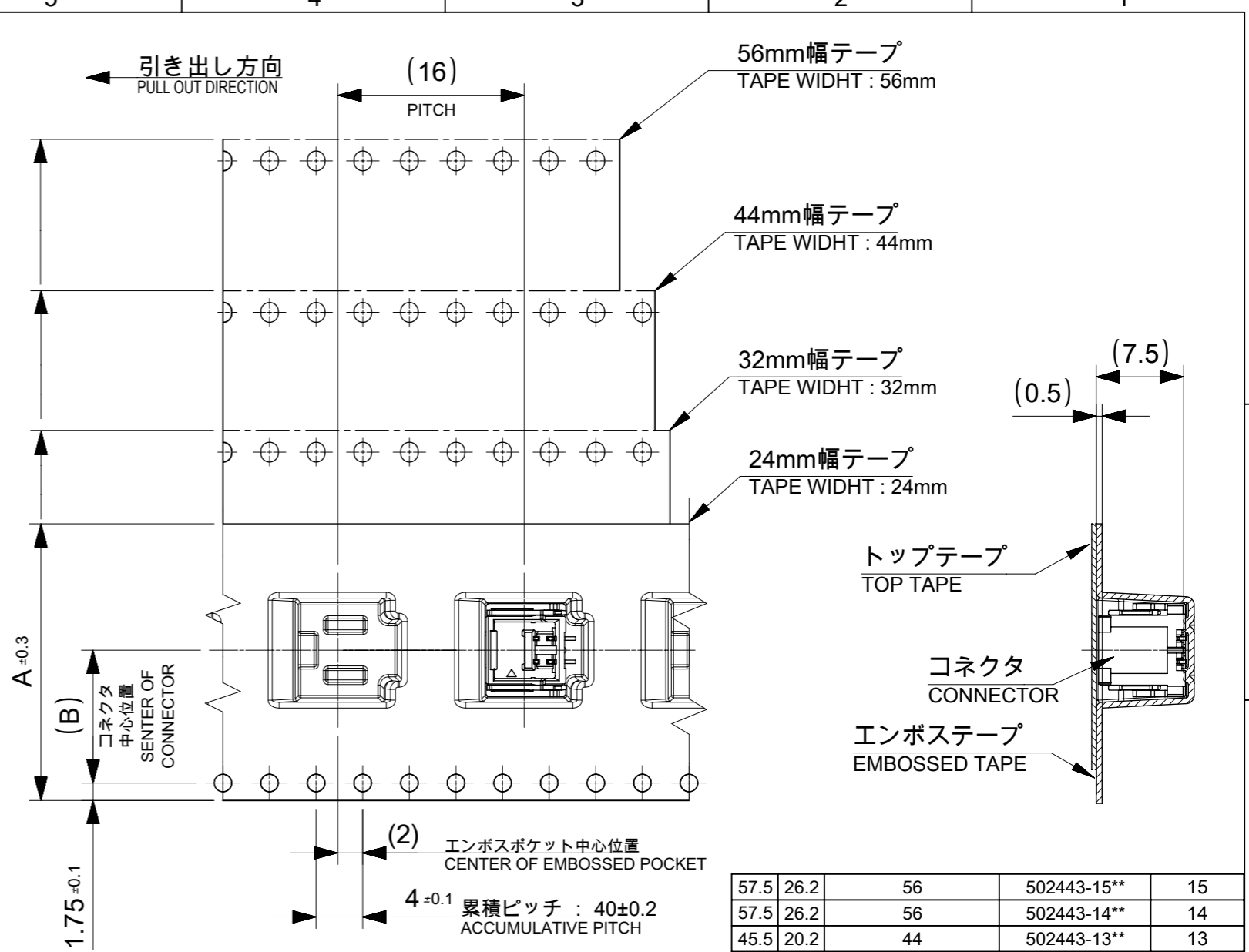
REVISED	2017/07/28	GENERAL TOLERANCES (UNLESS SPECIFIED)	DIMENSION UNITS	SCALE	molex [®]			
	2017/07/31		MM	4:1				
	2017/07/31		DRWN BY	DATE		CLIK-MATE 2.0MM PITCH W/B CONN. ST TYPE REC. ASSY 2-15CKT		
			AISHIKAWA	2016/04/19				
	EC NO: 120034		DRWN: AISHIKAWA	4 PLACES ± 0.2		CHK'D BY	DATE	PRODUCT CUSTOMER DRAWING
	CHK'D: AIDA	3 PLACES ± 0.2	KOMURAKAMI	2016/04/28				
	APPR: TKANEKO	2 PLACES ± 0.2	APPR BY	DATE				
		1 PLACE ± 0.2	TKANEKO	2016/04/28	SERIES	MATERIAL NUMBER	CUSTOMER	
		0 PLACES ± 0.2	DRAWING SIZE	THIRD ANGLE PROJECTION	502443	SEE TABLE	GENERAL	
		DRAFT WHERE APPLICABLE MUST REMAIN WITHIN DIMENSIONS	A3		DOCUMENT NUMBER	DOC TYPE	DOC PART	SHEET NUMBER
					5024431509	PSD	000	2 OF 2



- NOTE**
- 製品詳細寸法については、5024431509PSD000及び5024431508PSD000を参照下さい。
PLEASE REFER TO 5024431509PSD000 OR 5024431508PSD000 FOR THE DETAILED DIMENSION OF THE CONNECTOR.
 - 梱包数量：650個 / リール。
NUMBER OF CONNECTORS : 650 PIECES/REEL
 - リードテープ長さ
LEAD TAPE LENGTH



- 4. 材料**
- MATERIAL**
- キャリアテープ：ポリスチレン
CARRIER TAPE: POLYSTYRENE
- トップテープ：ポリエステル、ポリエチレン、ポリエチレンテレフタレート
TOP TAPE: POLYESTER, POLYETHYLENE, POLYETHYLENE TEREPHTHALATE
- リール：ポリスチレン <リサイクル材を含む>
REEL: POLYSTYRENE <RECYCLE MATERIAL CONTAINED>



57.5	26.2	56	502443-15**	15
57.5	26.2	56	502443-14**	14
45.5	20.2	44	502443-13**	13
45.5	20.2	44	502443-12**	12
				11
				10
45.5	20.2	44	502443-09**	9
45.5	20.2	44	502443-08**	8
33.5	14.2	32	502443-07**	7
33.5	14.2	32	502443-06**	6
25.5	11.5	24	502443-05**	5
25.5	11.5	24	502443-04**	4
25.5	11.5	24	502443-03**	3
25.5	11.5	24	502443-02**	2
C	B	エンボステープ幅A WIDTH OF TAPE	製品番号 MATERIAL NO.	極数 CKT. NO.

THIS DRAWING CONTAINS INFORMATION THAT IS PROPRIETARY TO MOLEX ELECTRONIC TECHNOLOGIES, LLC AND SHOULD NOT BE USED WITHOUT WRITTEN PERMISSION

QUALITY SYMBOLS	REVISED	GENERAL TOLERANCES (UNLESS SPECIFIED)	DIMENSION UNITS	SCALE	molex			
▽A = 0	2017/02/16	ANGULAR TOL ± 3.0 °	MM	NTS				
▽E = 0	DRWN: AISHIKAWA	4 PLACES ± 0.2	DRWN BY	DATE	CLIK-MATE 2.0 SINGLE ROW ST TYPE EMBOSSSED TAPE PACKAGE			
▽F = 0	2017/03/07	3 PLACES ± 0.2	AISHIKAWA	2016/04/19				
▽ = 0	CHK'D: AIDA	2 PLACES ± 0.2	CHK'D BY	DATE	PRODUCT CUSTOMER DRAWING			
▽C = 0	2017/03/07	1 PLACE ± 0.2	KOMURAKAMI	2016/04/28				
▽ = 0	APPR: TKANEKO	0 PLACES ± 0.2	APPR BY	DATE	SERIES MATERIAL NUMBER CUSTOMER			
▽ = 0	EC NO: 113635	DRAFT WHERE APPLICABLE MUST REMAIN WITHIN DIMENSIONS	TKANEKO	2016/04/28				
▽ = 0	REV		DRAWING SIZE	THIRD ANGLE PROJECTION	DOCUMENT NUMBER DOC TYPE DOC PART SHEET NUMBER			
▽ = 0	B		A3		5024431570	PSD	000	1 OF 2

9 8 7 6 5 4 3 2 1

E

WITH COVER TAPE		
HSG COLOR : NATURAL		
502443-**60	502443-1560	15
	502443-1460	14
	502443-1360	13
	502443-1260	12
		11
		10
	502443-0960	9
	502443-0860	8
	502443-0760	7
	502443-0660	6
	502443-0560	5
	502443-0460	4
	502443-0360	3
502443-0260	2	
コネクタシリーズ CONNECTOR SERIES	製品番号 MATERIAL NO.	極数 CKT. NO.


D

C

WITHOUT COVER TAPE		
HSG COLOR : NATURAL		
502443-**70	502443-1570	15
	502443-1470	14
	502443-1370	13
	502443-1270	12
		11
		10
	502443-0970	9
	502443-0870	8
	502443-0770	7
	502443-0670	6
	502443-0570	5
	502443-0470	4
	502443-0370	3
502443-0270	2	
コネクタシリーズ CONNECTOR SERIES	製品番号 MATERIAL NO.	極数 CKT. NO.

B

A

QUALITY SYMBOLS FA = 0 FE = 0 FP = 0 ▼ = 0 C = 0 ⊗ = 0 ■ = 0 ∇ = 0	THIS DRAWING CONTAINS INFORMATION THAT IS PROPRIETARY TO MOLEX ELECTRONIC TECHNOLOGIES, LLC AND SHOULD NOT BE USED WITHOUT WRITTEN PERMISSION												
	REVISED EC NO: 113635 DRWN: AISHIKAWA CHK'D: AIDA APPR: TKANEKO	2017/02/16		2017/03/07		2017/03/07		GENERAL TOLERANCES (UNLESS SPECIFIED)		DIMENSION UNITS		SCALE	
		ANGULAR TOL ± 3.0 °		4 PLACES ± 0.2		3 PLACES ± 0.2		2 PLACES ± 0.2		MM		NTS	
		1 PLACE ± 0.2		0 PLACES ± 0.2		AISHIKAWA		2016/04/19		DRWN BY		DATE	
		DRAFT WHERE APPLICABLE MUST REMAIN WITHIN DIMENSIONS		TKANEKO		KOMURAKAMI		2016/04/28		CHK'D BY		DATE	
				2016/04/28		TKANEKO		2016/04/28		APPR BY		DATE	
			A3		DRAWING SIZE		THIRD ANGLE PROJECTION		 CLIK-MATE 2.0 SINGLE ROW ST TYPE EMBOSSED TAPE PACKAGE PRODUCT CUSTOMER DRAWING SERIES: 502443 MATERIAL NUMBER: SEE TABLE CUSTOMER: GENERAL DOCUMENT NUMBER: 5024431570 DOC TYPE: PSD DOC PART: 000 SHEET NUMBER: 2 OF 2				

RELEASE STATUS	P1	RELEASE DATE	07.03.2017	11:17:22
----------------	----	--------------	------------	----------

9 8 7 6 5 4 3 2 1

FORMAT: master-b-prod-A3
REVISION: 0
DATE: 2015/12/14