



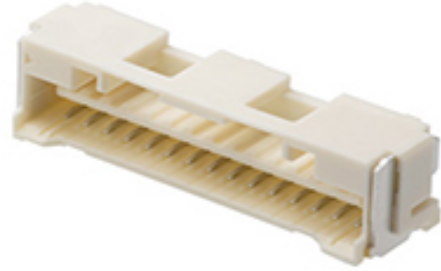
产品编号 : [5025850370](#)

Product Description : 1.50mm Pitch, CLIK-Mate PCB Receptacle, Single Row, Surface Mount, Right-Angle, Tin Plating, Positive Lock, 3 Circuits, Natural

系列号 : 502585

状态 : Active

Product Category : PCB Headers and Receptacles



文件和资源

图纸

[图纸 5025850370_sd.pdf](#)

3D 模型和设计文件

[3D模型 5025850370_stp.zip](#)

规格

[应用规格 AS-502578-001-001.pdf](#)

[包装规格 SPK-502585-001-001.pdf](#)

[产品规格 5025780000-PS-000.pdf](#)

[产品规格 5025781000-PS-CHI-000.pdf](#)

[产品规格 5025781000-PS-JAP-000.pdf](#)

产物环境合规

合规

GADSL/IMDS	Compliant with Exemption 44; 34; 33
China RoHS	
EU ELV	Not Relevant
Low-Halogen Status	Not Low-Halogen per IEC 61249-2-21
REACH SVHC	Not Contained per D(2023)3788-DC (14 Jun 2023)
EU RoHS	Compliant per EU 2015/863

[多部分产品合规性声明](#)

- Eu RoHS

- REACH SVHC

- Low-Halogen

多部分行业合规性文件

- IPC 1752A Class C

- IPC 1752A Class D

- Molex Product Compliance Declaration

- IEC-62474

- chemSHERPA (xml)

欧盟 RoHS 合格证书

产品详情

常规

状态	活动
类别	PCB Headers and Receptacles
系列	502585
说明	1.50mm Pitch, CLIK-Mate PCB Receptacle, Single Row, Surface Mount, Right-Angle, Tin Plating, Positive Lock, 3 Circuits, Natural
应用	Signal, Wire-to-Board
元件类型	PCB Receptacle
产品系列	CLIK-Mate Wire-to-Board Connectors
产品名称	CLIK-Mate
UPC	800756644592

机构

UL	E29179
----	--------

电气

每触点最大电流	2.0A
电压 - 最大	100V

物理

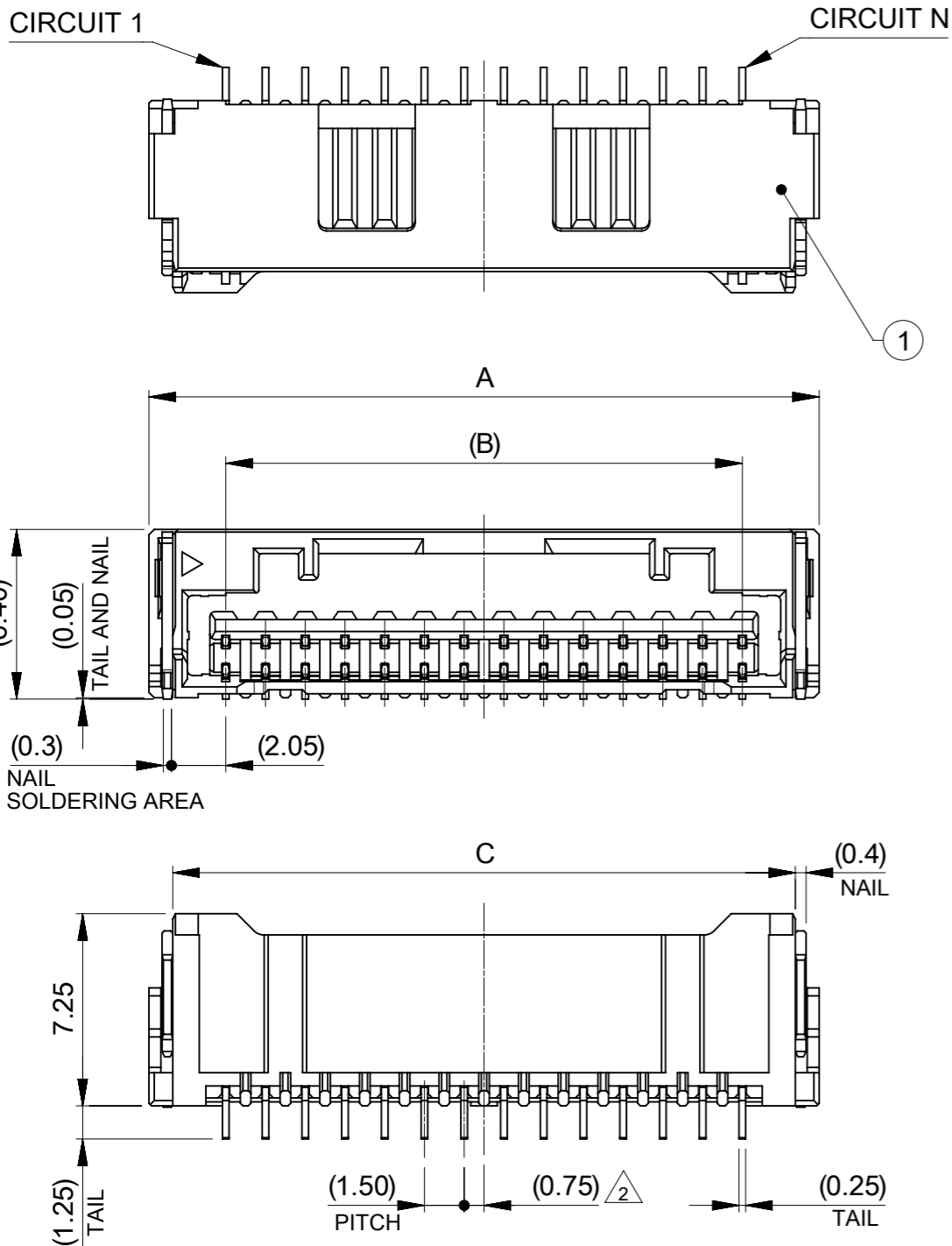
回路数 (已载入)	3
电路数 (最多)	3

颜色-树脂	米黄色
耐用性(插拔次数) - 最多次数	30
阻燃性	SC-0
符合灼热丝规范	否
可配插产品指南	是
插接极性	无
锁定插接部位	是
插配长度	6.40mm
材料 - 金属	Copper Alloy
材料 - 接合部位电镀	Tin
净重	452.000/mg
行数	1
方向	Right Angle
包装形式	Embossed Tape on Reel
PCB 定位器	否
PCB 保持力	是
间距 - 插配接口	1.50mm
间距 - 终端界面	1.50mm
有极性的插配件	是
PCB 极性	否
可堆叠的	否
运行温度范围	-40° to +105° C
终端界面类型	Surface Mount

可配插/可连接使用的产品

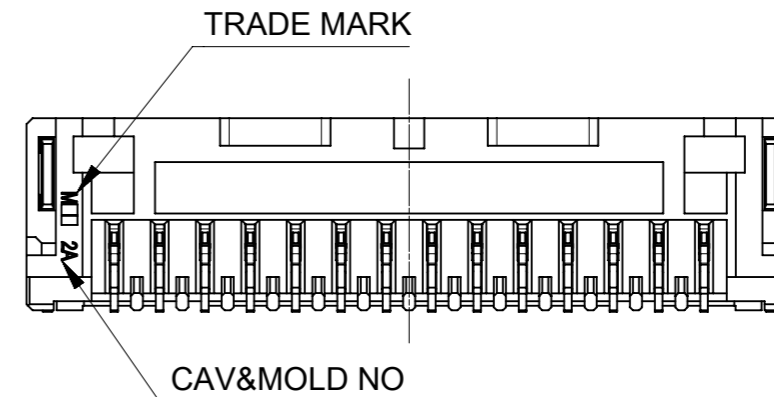
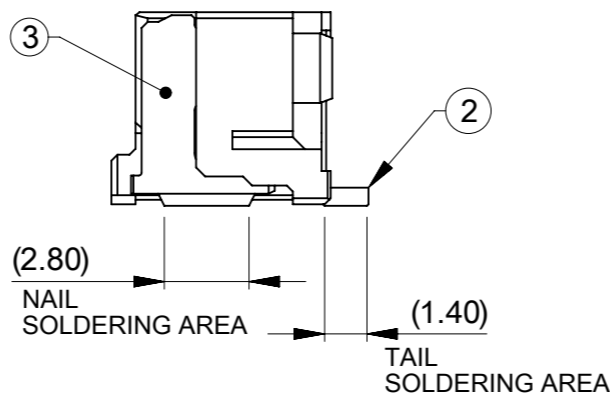
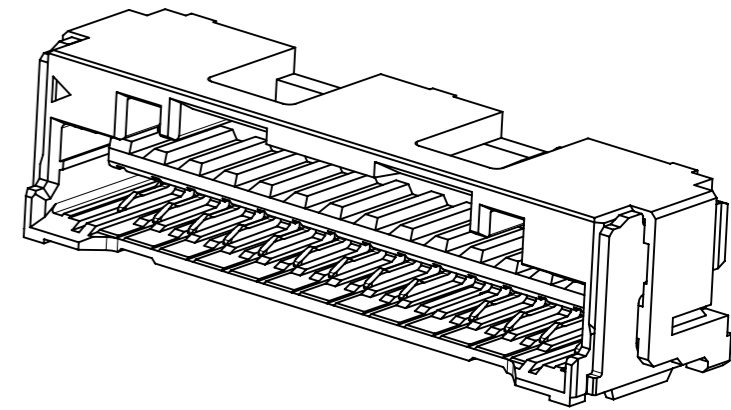
可配插部件

描述	产品编号
1.50mm Pitch CLIK-Mate Single Row Plug Housings	<u>502578</u>
1.50mm Pitch CLIK-Mate-to-CLIK-Mate Off-the-Shelf (OTS) Cable Assemblies	<u>15135</u>



NOTES

- 1. 端子テール部及びネイルの平坦度 : 0.1 MAX.
TAIL AND NAIL COPLANARITY: 0.1 MAX.
- 2. 極数/2 = 偶数 に適用
APPLY FOR CIRCUIT SIZE/2 = EVEN
- 3. 適用製品及び各種仕様書はSHEET 4参照のこと
PLEASE REFER TO SHEET 4 TABLE ABOUT APPLICABLE PRODUCTS AND VARIOUS SPECIFICATIONS



4. オーダー番号(製品番号):SHEET 5の製品一覧を参照のこと
ORDER NO (PRODUCT NO) : REFER TO SHEET 5
FOR PRODUCT LIST

502585 * * 7 *

シリーズ番号 (SERIES NO) 極数 (CIRCUIT SIZE) 色 (COLOR)

25	±0.25	21	26.8	±0.25	15
23.5		19.5	25.3		14
22		18	23.8		13
20.5		16.5	22.3		12
19		15	20.8		11
17.5		13.5	19.3		10
16		12	17.8		9
14.5		10.5	16.3		8
13		9	14.8		7
11.5		7.5	13.3		6
10	6	11.8	5		
8.5	(±0.2)	4.5	10.3	(±0.2)	4
7		3	8.8		3
5.5	1.5	7.3	2		
		C	B	A	極数 CIRCUIT NO

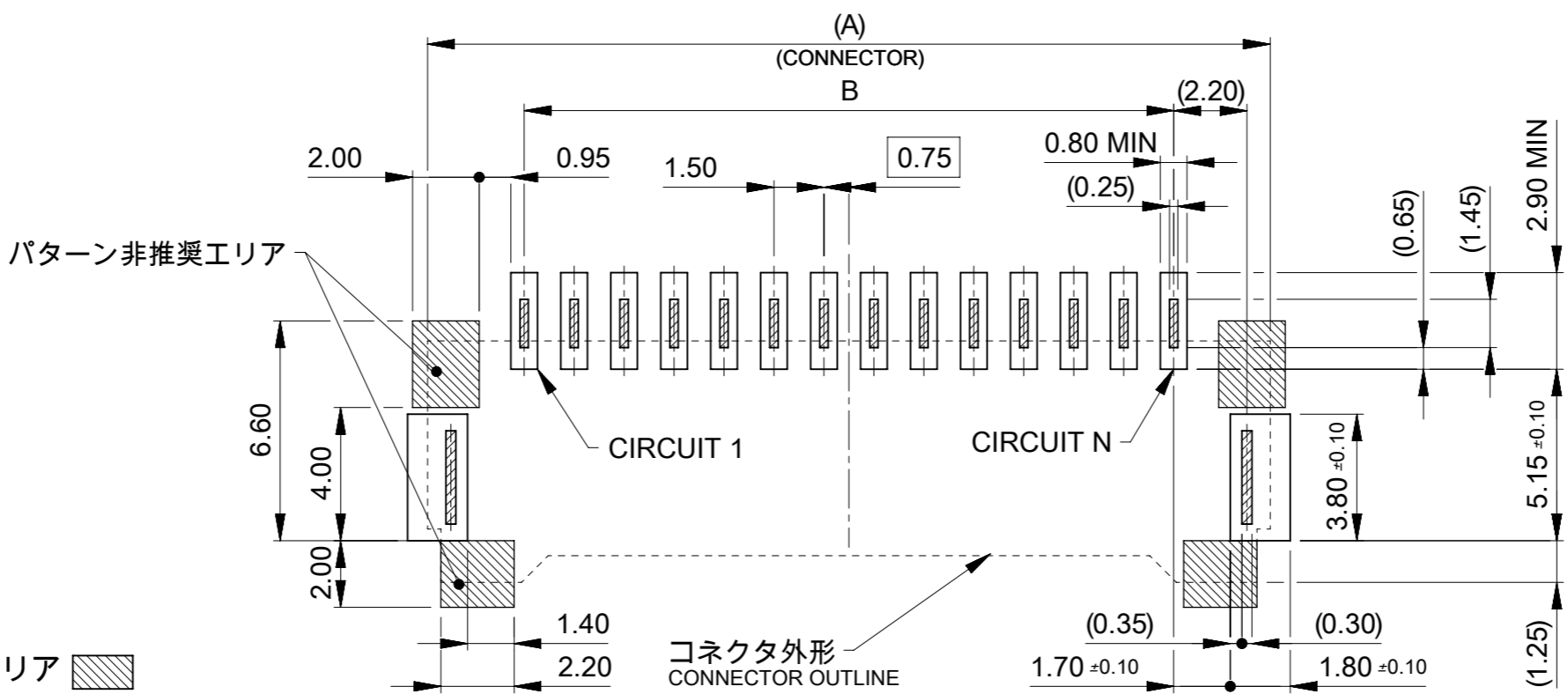
NO	COLOR	
0	ナチュラル (ベージュ)	NATURAL (BEIGE)
1	黒	BLACK
2	赤	RED
3	黄	YELLOW
4	青	BLUE
5	桃	PINK
6	緑	GREEN
7	茶	BROWN
8	橙	ORANGE
9	紫	VIOLET

THIS DRAWING CONTAINS INFORMATION THAT IS PROPRIETARY TO MOLEX ELECTRONIC TECHNOLOGIES, LLC AND SHOULD NOT BE USED WITHOUT WRITTEN PERMISSION

DIMENSION UNITS	SCALE	CURRENT REV DESC:	molex		
mm	NTS				
GENERAL TOLERANCES (UNLESS SPECIFIED)					
ANGULAR TOL	± 3.0 °				
4 PLACES	± 0.2	EC NO: 638332	CLIK-MATE 1.5		
3 PLACES	± 0.2	DRWN: MIKEDA01	SINGLE ROW SMT R/A TYPE REC ASSY TIN PLATING		
2 PLACES	± 0.2	CHK'D: SAKIYAMA	PRODUCT CUSTOMER DRAWING		
1 PLACE	± 0.2	APPR: KOMURAKAMI	DOCUMENT NUMBER		
0 PLACES	± 0.2	INITIAL REVISION:	DOC TYPE DOC PART REVISION		
DRAFT WHERE APPLICABLE MUST REMAIN WITHIN DIMENSIONS		DRWN: MIKEDA01	5025850000-SD		
THIRD ANGLE PROJECTION		APPR: KOMURAKAMI	PSD 000 C		
DRAWING		SERIES	SHEET NUMBER		
A3-SIZE		502585	GENERAL 1 OF 5		

番号 NO.	部品 PART	材質 MATERIAL
①	ハウジング HOUSING	ポリアミド(PA) UL94V-0 色 : SEE CHART POLYAMIDE(PA) UL94V-0 COLOR : SEE CHART
②	ターミナル TERMINAL	銅合金 COPPER ALLOY
		錫めっき : 1.0 micro-meter MIN MATTE TIN PLATING
③	ネイル NAIL	ニッケルめっき(下地) : 1.0 micro-meter MIN NICKEL (UNDER PLATING)
		黄銅 BRASS
		錫めっき : 1.0 micro-meter MIN MATTE TIN PLATING
		ニッケルめっき(下地) : 1.0 micro-meter MIN NICKEL (UNDER PLATING)

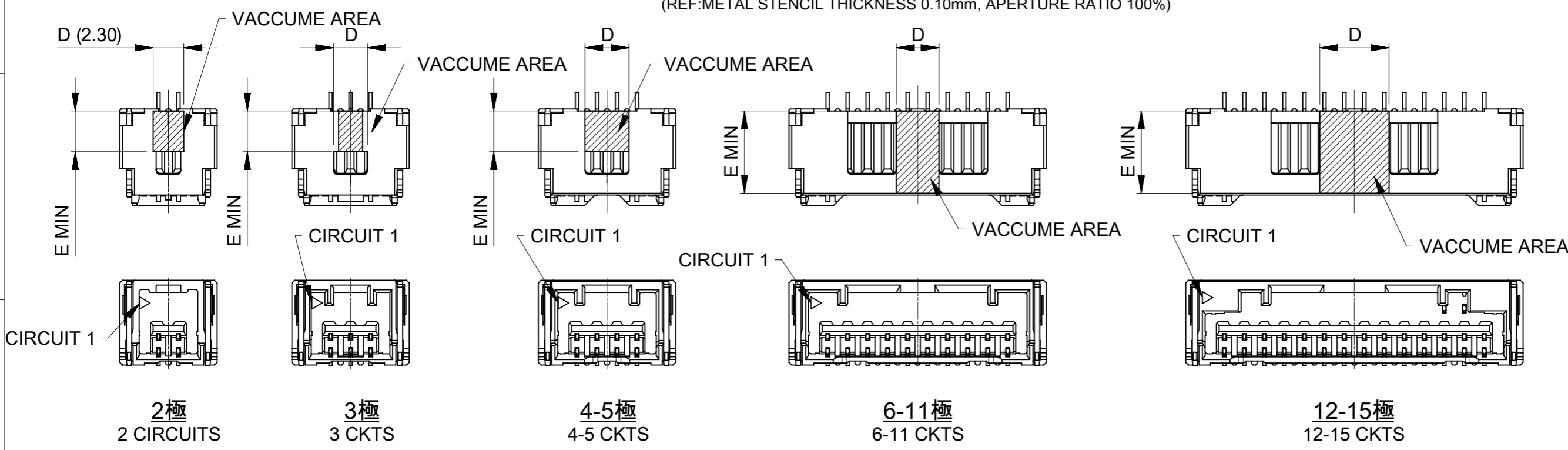
DOCUMENT STATUS P1 RELEASE DATE 2020/05/28 10:10:45



パターン非推奨エリア

パターンを引き回す際は、製品機能に影響がないことをご確認ください。
 PATTERN IS NOT RECCOMENDED ON THE HATCHED AREA.
 PLEASE CHECK NOT TO HAVE PROBLEM FOR PRODUCT FUNCTION
 WHEN SETTING PATTERN ON THE HATCHED AREA.

基板パターンレイアウト(参考)
RECCOMENDED PCB PATTERN LAYOUT (REF)
 (参考: メタルマスク厚さ 0.10mm, マスク開口率100%)
 (REF: METAL STENCIL THICKNESS 0.10mm, APERTURE RATIO 100%)



ロック形状および吸着エリア
LOCK SHAPE AND VACCUME AREA

6	5.2	15
		14
		13
		12
		11
2.9	3.2	10
		9
		8
2.9	2.5	7
		6
		5
		4
E	D	3
		2
		極数 CIRCUIT NO

THIS DRAWING CONTAINS INFORMATION THAT IS PROPRIETARY TO MOLEX ELECTRONIC TECHNOLOGIES, LLC AND SHOULD NOT BE USED WITHOUT WRITTEN PERMISSION

DIMENSION UNITS	SCALE	CURRENT REV DESC:	
mm	NTS		
GENERAL TOLERANCES (UNLESS SPECIFIED)			
ANGULAR TOL	± 3.0 °		
4 PLACES	± 0.2	EC NO: 638332	
3 PLACES	± 0.2	DRWN: MIKEDA01	2020/05/26
2 PLACES	± 0.2	CHK'D: SAKIYAMA	2020/05/27
1 PLACE	± 0.2	APPR: KOMURAKAMI	2020/05/28
0 PLACES	± 0.2	INITIAL REVISION:	
DRAFT WHERE APPLICABLE MUST REMAIN WITHIN DIMENSIONS		DRWN: MIKEDA01	2019/04/08
THIRD ANGLE PROJECTION		APPR: KOMURAKAMI	2020/03/03
DRAWING	SERIES	MATERIAL NUMBER	CUSTOMER
A3-SIZE	502585	5025850000-SD	GENERAL

molex

CLIK-MATE 1.5
 SINGLE ROW SMT R/A TYPE REC ASSY TIN PLATING

PRODUCT CUSTOMER DRAWING

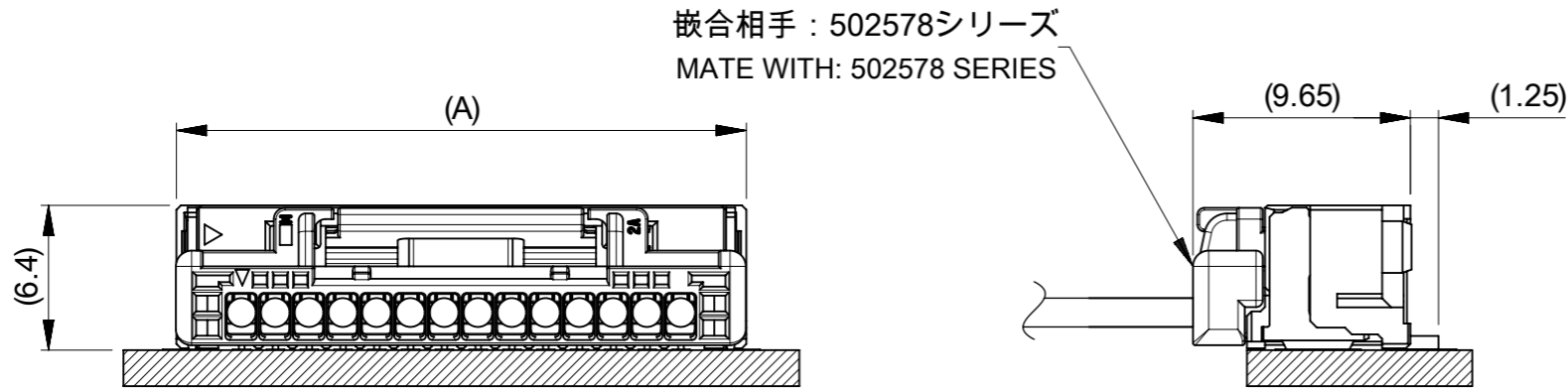
DOCUMENT NUMBER: 5025850000-SD
 DOC TYPE: PSD
 DOC PART: 000
 REVISION: C

SHEET NUMBER: 2 OF 5

△ 3 適用製品及び各種仕様書
 APPLICABLE PRODUCTS AND VARIOUS SPECIFICATIONS

梱包仕様書 PACKAGING SPECIFICATION	PART NUMBER	DOCUMENT NUMBER
	502585 **7*	SPK-502585-001

適用嵌合相手 MATE WITH	HOUSING	TERMINAL (TIN PLATING)	
		#24-28	#26-30
シリーズ番号 SERIES NUMBER	502578	502579 0000	503429 0000
製品仕様書 PRODUCT SPECIFICATION	5025780000-PS		
アプリケーション仕様書 APPLICATION SPECIFICATION	AS-502578-001		



嵌合図
 MATED CONNECTORS

THIS DRAWING CONTAINS INFORMATION THAT IS PROPRIETARY TO MOLEX ELECTRONIC TECHNOLOGIES, LLC AND SHOULD NOT BE USED WITHOUT WRITTEN PERMISSION									
DIMENSION UNITS	SCALE	CURRENT REV DESC:			molex				
mm	NTS								
GENERAL TOLERANCES (UNLESS SPECIFIED)		EC NO: 638332			CLIK-MATE 1.5				
ANGULAR TOL ± 3.0 °		DRWN: MIKEDA01 2020/05/26			SINGLE ROW SMT R/A TYPE REC ASSY TIN PLATING				
4 PLACES ± 0.2		CHK'D: SAKIYAMA 2020/05/27			PRODUCT CUSTOMER DRAWING				
3 PLACES ± 0.2		APPR: KOMURAKAMI 2020/05/28			DOCUMENT NUMBER				
2 PLACES ± 0.2		INITIAL REVISION:			5025850000-SD		DOC TYPE	DOC PART	REVISION
1 PLACE ± 0.2		DRWN: MIKEDA01 2019/04/08			PSD		000	C	
0 PLACES ± 0.2		APPR: KOMURAKAMI 2020/03/03			MATERIAL NUMBER		CUSTOMER		SHEET NUMBER
DRAFT WHERE APPLICABLE MUST REMAIN WITHIN DIMENSIONS		THIRD ANGLE PROJECTION	DRAWING	SERIES	502585	GENERAL		4 OF 5	

4 製品一覧
PRODUCTS LIST

紫 VIOLET	橙 ORANGE	茶 BROWN	緑 GREEN	桃 PINK	青 BLUE	黄 YELLOW	赤 RED	黒 BLACK	ナチュラル(ベージュ) NATURAL(BEIGE)	HOUSING COLOR
502585 1579	502585 1578	502585 1577	502585 1576	502585 1575	502585 1574	502585 1573	502585 1572	502585 1571	502585 1570	15
502585 1479	502585 1478	502585 1477	502585 1476	502585 1475	502585 1474	502585 1473	502585 1472	502585 1471	502585 1470	14
502585 1379	502585 1378	502585 1377	502585 1376	502585 1375	502585 1374	502585 1373	502585 1372	502585 1371	502585 1370	13
502585 1279	502585 1278	502585 1277	502585 1276	502585 1275	502585 1274	502585 1273	502585 1272	502585 1271	502585 1270	12
502585 1179	502585 1178	502585 1177	502585 1176	502585 1175	502585 1174	502585 1173	502585 1172	502585 1171	502585 1170	11
502585 1079	502585 1078	502585 1077	502585 1076	502585 1075	502585 1074	502585 1073	502585 1072	502585 1071	502585 1070	10
502585 0979	502585 0978	502585 0977	502585 0976	502585 0975	502585 0974	502585 0973	502585 0972	502585 0971	502585 0970	9
502585 0879	502585 0878	502585 0877	502585 0876	502585 0875	502585 0874	502585 0873	502585 0872	502585 0871	502585 0870	8
502585 0779	502585 0778	502585 0777	502585 0776	502585 0775	502585 0774	502585 0773	502585 0772	502585 0771	502585 0770	7
502585 0679	502585 0678	502585 0677	502585 0676	502585 0675	502585 0674	502585 0673	502585 0672	502585 0671	502585 0670	6
502585 0579	502585 0578	502585 0577	502585 0576	502585 0575	502585 0574	502585 0573	502585 0572	502585 0571	502585 0570	5
502585 0479	502585 0478	502585 0477	502585 0476	502585 0475	502585 0474	502585 0473	502585 0472	502585 0471	502585 0470	4
502585 0379	502585 0378	502585 0377	502585 0376	502585 0375	502585 0374	502585 0373	502585 0372	502585 0371	502585 0370	3
502585 0279	502585 0278	502585 0277	502585 0276	502585 0275	502585 0274	502585 0273	502585 0272	502585 0271	502585 0270	2
オーダー番号 ORDER NO										極数 CIRCUIT NO

THIS DRAWING CONTAINS INFORMATION THAT IS PROPRIETARY TO MOLEX ELECTRONIC TECHNOLOGIES, LLC AND SHOULD NOT BE USED WITHOUT WRITTEN PERMISSION										
DIMENSION UNITS	SCALE	CURRENT REV DESC:								
mm	NTS	molex								
GENERAL TOLERANCES (UNLESS SPECIFIED)		CLIK-MATE 1.5 SINGLE ROW SMT R/A TYPE REC ASSY TIN PLATING								
ANGULAR TOL	± 3.0 °	PRODUCT CUSTOMER DRAWING								
4 PLACES	± 0.2	EC NO: 638332	2020/05/26							
3 PLACES	± 0.2	DRWN: MIKEDA01	2020/05/27							
2 PLACES	± 0.2	CHK'D: SAKIYAMA	2020/05/28							
1 PLACE	± 0.2	APPR: KOMURAKAMI	2020/05/28							
0 PLACES	± 0.2	INITIAL REVISION:	DOCUMENT NUMBER							
DRAFT WHERE APPLICABLE MUST REMAIN WITHIN DIMENSIONS		DRWN: MIKEDA01	2019/04/08	5025850000-SD				PSD	000	C
THIRD ANGLE PROJECTION		APPR: KOMURAKAMI	2020/03/03	SERIES				CUSTOMER	SHEET NUMBER	
DRAWING		A3-SIZE		502585				GENERAL		5 OF 5