



产品编号 : 50291758

系列号 : 1625

Product Category : Connector Housings

Product Description : 1.57mm Diameter Standard .062" Pin and Socket Receptacle Housing, 4 Circuits, with Pre-bent Mounting Ears, Natural

状态 : Active

工程编号 : 1625-4R2

文件和资源

图纸

图纸 050291758_sd.pdf

3D 模型和设计文件

3D模型 050291758_stp.zip

规格


包装规格 PK-1625-003-001.pdf

产品规格 PS-02-06-001.pdf

测试摘要 TS-1625-001-001.pdf

产物环境合规

合规

GADSL/IMDS	Not Relevant
China RoHS	
EU ELV	Not Relevant
Low-Halogen Status	Low-Halogen per IEC 61249-2-21
REACH SVHC	Not Contained per D(2023)8585-DC (23 Jan 2024)
EU RoHS	Compliant per EU 2015/863

多部分产品合规性声明

- Eu RoHS
- REACH SVHC
- Low-Halogen

- IPC 1752A Class C
- IPC 1752A Class D
- Molex Product Compliance Declaration

- IEC-62474

- chemSHERPA (xml)

欧盟 RoHS 合格证书

产品详情

常规

状态	活动
类别	Connector Housings
系列	1625
说明	1.57mm Diameter Standard .062" Pin and Socket Receptacle Housing, 4 Circuits, with Pre-bent Mounting Ears, Natural
应用	Power, Wire-to-Wire
个评论	Polarized to Mating Part
产品系列	Standard .062"+ and Standard .062" Pin and Socket Connector Systems
产品名称	Standard .062"
UPC	822350404907

机构

CSA	LR19980
UL	E29179

物理

断开	否
电路详图	1x4
电路数 (最多)	4
颜色-树脂	Natural
阻燃性	94V-2
性别	Receptacle
符合灼热丝规范	否
插接极性	无
锁定插接部位	是
材料 - 树脂	Nylon
净重	1.303/g

行数	1
包装形式	Bag
面板安装式	是
间距 - 插配接口	3.68mm
间距 - 终端界面	3.68mm
有极性的插配件	是
可堆叠的	否
运行温度范围	-40° to +105° C

进程

无铅	不适用
----	-----

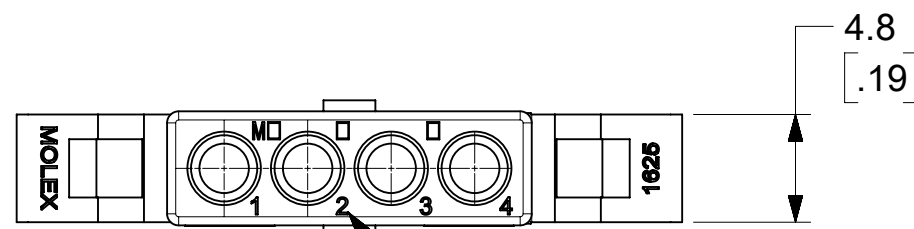
可配插/可连接使用的产品

可配插部件

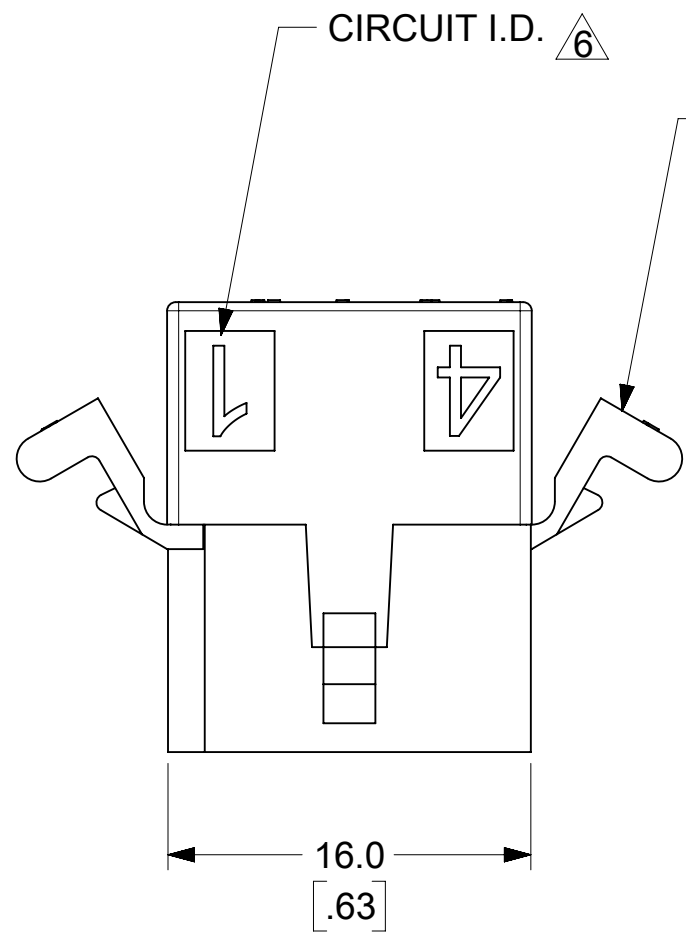
描述	产品编号
1.57mm Diameter Standard .062" Pin and Socket Plug Housing, 4 Circuits, without Mounting Ears, Natural	<u>03062042</u>

可连接使用部件

描述	产品编号
Standard .062" Pin and Socket Female Crimp Terminals	<u>1561</u>
Standard .062" Pin and Socket Female Crimp Terminals	<u>1855</u>
Standard .062" Pin and Socket Male Crimp Terminals	<u>1560</u>
Standard .062" Pin and Socket Male Crimp Terminals	<u>1854</u>
Standard .062" Pin and Socket Male PC Tail Terminals	<u>1778</u>
Standard .062" Pin and Socket Female PC Tail Terminals	<u>1779</u>

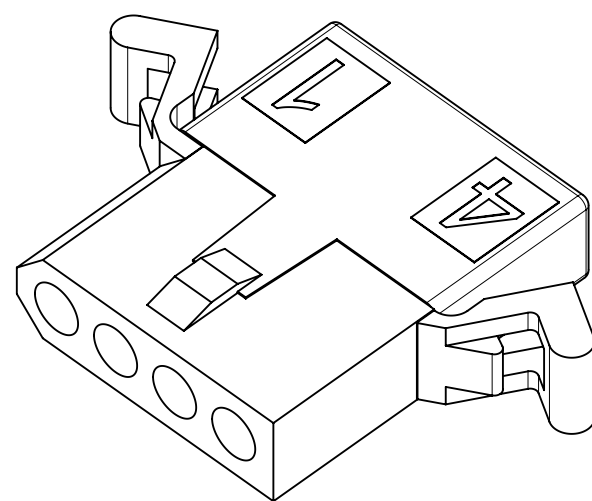
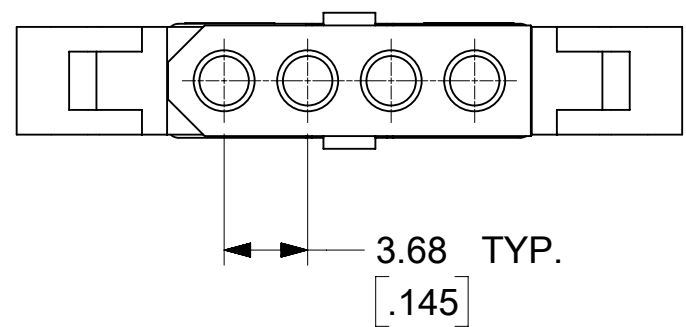
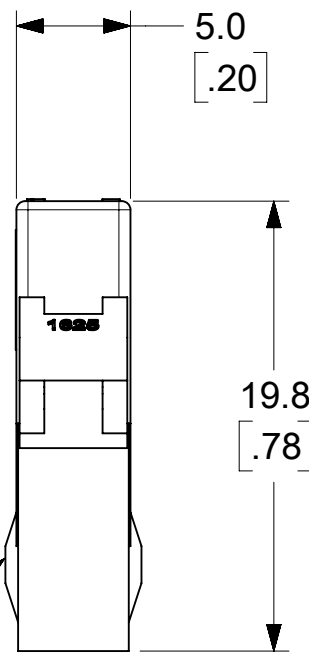


CIRCUIT NUMBERS, (4 PL.)

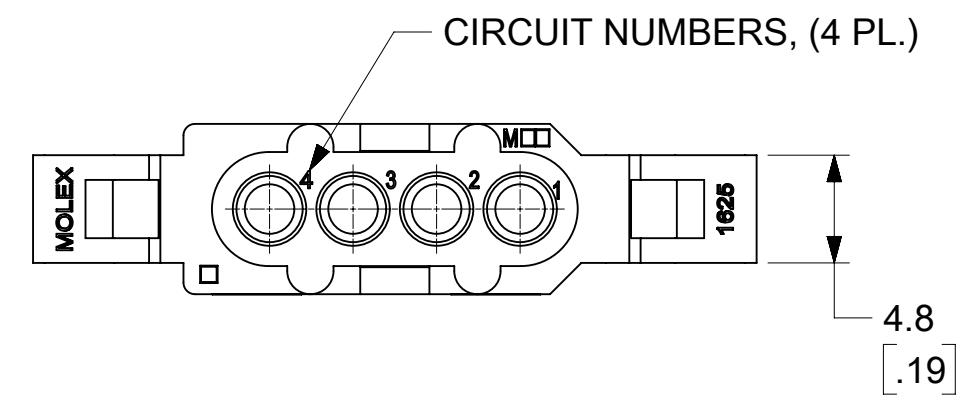


MOUNTING EARS
(WHEN SPECIFIED)
SEE DETAIL A OR C

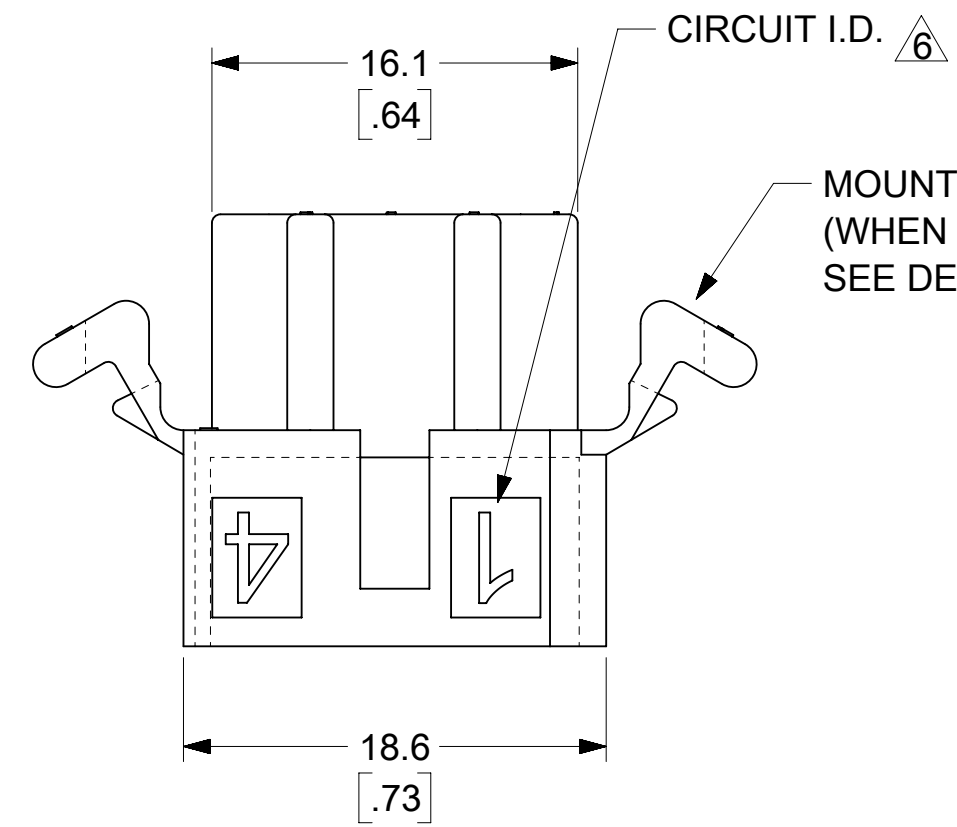
PASSIVE LOCK



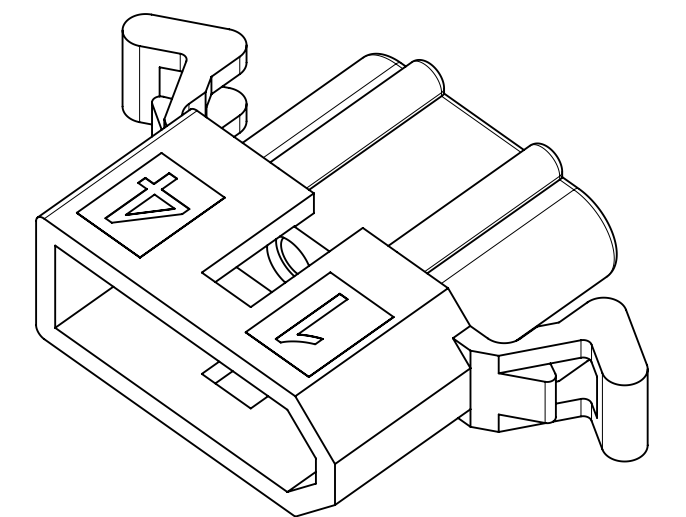
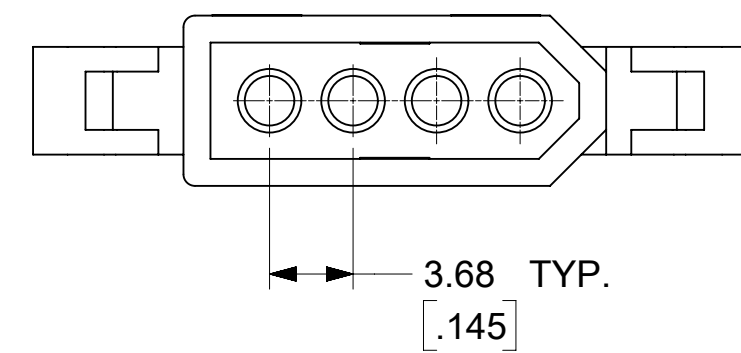
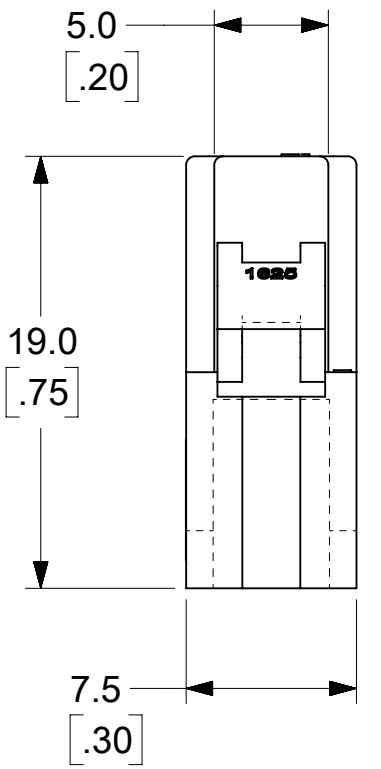
RECEPTACLE HOUSING



CIRCUIT NUMBERS, (4 PL.)



MOUNTING EARS
(WHEN SPECIFIED)
SEE DETAIL A OR C



PLUG HOUSING

QUALITY SYMBOLS	THIS DRAWING CONTAINS INFORMATION THAT IS PROPRIETARY TO MOLEX ELECTRONIC TECHNOLOGIES, LLC AND SHOULD NOT BE USED WITHOUT WRITTEN PERMISSION										
	0 = 0 0 = 0 0 = 0 0 = 0 0 = 0 0 = 0 0 = 0 0 = 0 0 = 0 0 = 0 0 = 0	EC NO: 122520 DRWN: MKIPPER CHKD: JBELL REV / APPR: FSMITH	2017/08/09 2017/09/26 2017/09/28	GENERAL TOLERANCES (UNLESS SPECIFIED)		DIMENSION UNITS	SCALE				
MM				INCH	MM/IN	NTS					
RELEASED				4 PLACES	±	±	DRWN BY	DATE	.062 4 CKT PLUG AND RECEPTACLE HOUSINGS		
				3 PLACES	±	± 0.01	ZHARPER	2017/08/11			
				2 PLACES	± 0.25	± 0.014	CHK'D BY	DATE	PRODUCT CUSTOMER DRAWING		
				1 PLACES	± 0.36	±	MKIPPER	2017/09/25			
				0 PLACES	±	±	APPR BY	DATE	SERIES: 1625 MATERIAL NUMBER: SEE CHART CUSTOMER:		
				ANGULAR TOL ±		DRAWING SIZE: C		THIRD ANGLE PROJECTION			
				DRAFT WHERE APPLICABLE MUST REMAIN WITHIN DIMENSIONS						DOCUMENT NUMBER: 16250400-SD DOC TYPE: PSD DOC PART: 000 SHEET NUMBER: 1 OF 2	

PLUG		
PART NO.	ENG. NO.	
03-06-2041	1625-4P	
46999-0267	1625-4P-1	
03-06-7041	1625-4PBK	OBSOLETE
03-06-2042	1625-4P1	
03-06-7042	1625-4P1BK	
46999-0355	1625-4P2	
NOT TOOLED	1625-4P2BK	
46999-0353	1625-4P2-1	

RECEPTACLE		
PART NO.	ENG. NO.	
03-06-1041	1625-4R	
03-06-6041	1625-4RBK	OBSOLETE
03-06-1042	1625-4R1	
03-06-6042	1625-4R1BK	
50-29-1758	1625-4R2	
46999-0266	1625-4R2-1	
46999-0354	1625-4R1-1	

LEGEND:

1625-4 * * * - *

CIRCUIT SIZE

R = RECEPTACLE

P = PLUG

BLANK = WITH STANDARD MTG. EARS

1 = WITHOUT EARS

2 = WITH PREBENT MTG. EARS

BLANK = NOT DYED

AM=AMBER

BK=BLACK

BU=BLUE

BN=BROWN

GY=GRAY

GN=GREEN

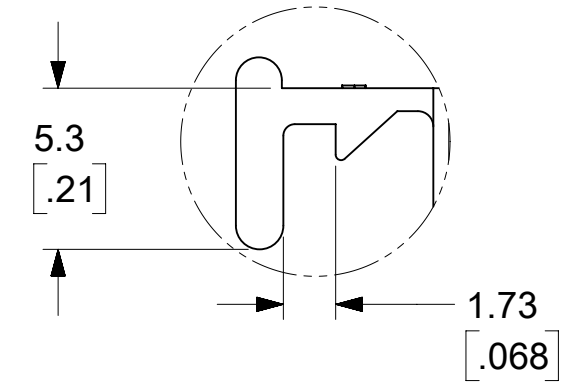
OR=ORANGE

RD=RED

YW=YELLOW

BLANK = MATERIAL CODE A

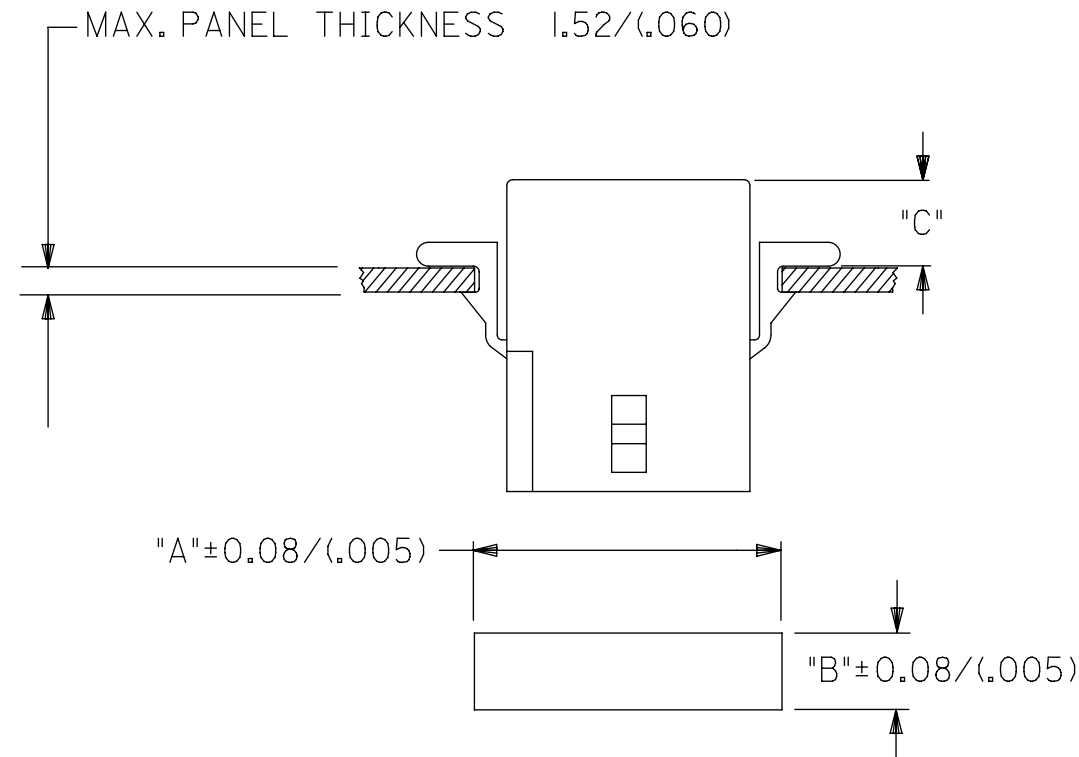
1 = MATERIAL CODE B



DETAIL C

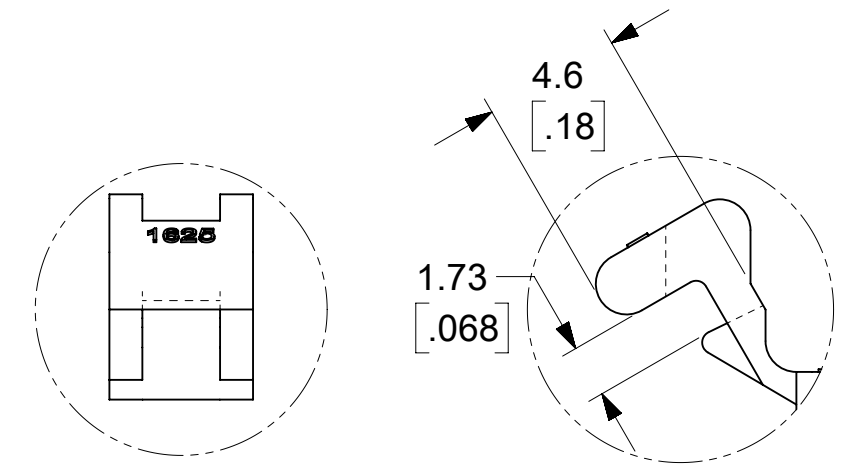
SCALE 4:1

STANDARD MOUNTING EARS



RECOMMENDED PANEL OPENING

HOUSING	DIM. "A"	DIM. "B"	"C" PREBENT EAR	"C" STANDARD EAR
PLUG	21.97 / (.865)	7.92 / (.312)	4.8 / (.19)	4.6 / (.18)
RECEPT.	19.94 / (.785)	6.60 / (.260)	5.3 / (.21)	5.1 / (.20)



DETAIL B

SCALE 4:1

DETAIL A

SCALE 4:1

PREBENT MOUNTING EARS

NOTES:

- MATERIAL:
A = NYLON TYPE 6/6, UL94V-2, COLOR: NATURAL (TRANSLUCENT)
B = NYLON PA6, UL94V-2, COLOR: NATURAL (WHITE)
GLOW WIRE CAPABLE PER IEC 60335-1
- FINISH: N/A
- THIS PRODUCT COMPLIES WITH MOLEX PRODUCT SPECIFICATION PS-02-06
- PACKAGING: PK-1625-003.
- HOUSING FOR USE WITH MOLEX .062 / (1.57) DIA. SERIES TERMINALS.
- CIRCUIT I.D. NUMBERS ON SIDE OF HOUSING APPEAR ON PARTS FROM TOOLS BUILT AFTER 8/10/92. PARTS FROM TOOLS BUILT BEFORE THIS DATE WILL HAVE CIRCUIT I.D. RIBS ON HOUSING.
- PARTS CONFORM TO CLASS 'B' REQUIREMENTS OF COSMETIC SPECIFICATION PS-45499-002 EXCEPT MATERIAL OPTION B PARTS MEET CLASS 'C' FOR SINK.
- THIS DRAWING REPLACES SD-1625-4*.

QUALITY SYMBOLS	THIS DRAWING CONTAINS INFORMATION THAT IS PROPRIETARY TO MOLEX ELECTRONIC TECHNOLOGIES, LLC AND SHOULD NOT BE USED WITHOUT WRITTEN PERMISSION		DIMENSION UNITS		SCALE	molex	
			MM/IN	NTS			
▽ = 0	2017/08/09 DRWN: MKIPPER 2017/09/26 CHK'D: JBELL 2017/09/28 REV / APPR: FSMITH EC NO: 122520 RELEASED A	GENERAL TOLERANCES (UNLESS SPECIFIED)		DRWN BY	DATE	.062 4 CKT PLUG AND RECEPTACLE HOUSINGS	
▽ = 0		MM	INCH	ZHARPER	2017/08/11		
▽ = 0		4 PLACES ±	±	CHK'D BY	DATE		
▽ = 0		3 PLACES ±	± 0.01	MKIPPER	2017/09/25		
▽ = 0		2 PLACES ±	± 0.014	APPR BY	DATE		
▽ = 0	1 PLACES ±	±	FSMITH-ROEMER	2017/09/30	PRODUCT CUSTOMER DRAWING		
▽ = 0	0 PLACES ±	±	DRAWING SIZE		THIRD ANGLE PROJECTION	SERIES	
▽ = 0	ANGULAR TOL ±		C			1625	MATERIAL NUMBER
▽ = 0	DRAFT WHERE APPLICABLE MUST REMAIN WITHIN DIMENSIONS					SEE CHART	CUSTOMER
▽ = 0						DOCUMENT NUMBER	DOC TYPE
						16250400-SD	PSD
						DOC PART	SHEET NUMBER
						000	2 OF 2