



产品编号 : 5031481690

系列号 : 503148

Product Category : PCB Headers and Receptacles

Product Description : 1.50mm Pitch, CLIK-Mate PCB Receptacle, Dual Row, Surface Mount, Right-Angle, Tin Plating, Positive Lock, 16 Circuits, Natural

状态 : Active

---

## 文件和资源

### 图纸

图纸 5031481690\_sd.pdf

### 3D 模型和设计文件

2D 图纸 DXF 5031481690.dxf

2D 图纸 DXF PDF 5031481690.pdf

3D模型 5031481690\_stp.zip

### 规格

应用规格 AS-503149-001-001.pdf

包装规格 SPK-503148-001-001.pdf

产品规格 5031491001-PS-000.pdf


产品规格 5031490001-PS-000.pdf

产品规格 5031491004-PS-000.pdf

---

## 产物环境合规

### 合规

|                    |   |
|--------------------|---|
| GADSL/IMDS         | Compliant with Exemption 44; 33   |
| China RoHS         |  |
| EU ELV             | Not Relevant  |
| Low-Halogen Status | Not Low-Halogen per IEC 61249-2-21  |
| REACH SVHC         | Not Contained per D(2023)8585-DC (23 Jan 2024)  |
| EU RoHS            | Compliant per EU 2015/863   |

### 多部分产品合规性声明

- Eu RoHS

- REACH SVHC

- Low-Halogen
- IPC 1752A Class C
- IPC 1752A Class D
- Molex Product Compliance Declaration
- IEC-62474
- chemSHERPA (xml)

欧盟 RoHS 合格证书

## 产品详情

### 常规

|      |  |
|------|--|
| 状态   | 活动   |
| 类别   | PCB Headers and Receptacles  |
| 系列   | 503148   |
| 说明   | 1.50mm Pitch, CLIK-Mate PCB Receptacle, Dual Row, Surface Mount, Right-Angle, Tin Plating, Positive Lock, 16 Circuits, Natural |
| 应用   | Signal, Wire-to-Board  |
| 元件类型 | PCB Receptacle   |
| 产品系列 | CLIK-Mate Wire-to-Board Connectors   |
| 产品名称 | CLIK-Mate  |
| UPC  | 883906560867   |

### 电气

|         |      |
|---------|------|
| 每触点最大电流 | 1.0A |
| 电压 - 最大 | 100V |

### 物理

|                  |         |
|------------------|---------|
| 回路数 (已载入)        | 16      |
| 电路数 (最多)         | 16      |
| 颜色-树脂            | Natural |
| 耐用性(插拔次数) - 最多次数 | 30      |
| 符合灼热丝规范          | 否       |
| 插接极性             | 无       |
| 锁定插接部位           | 是       |

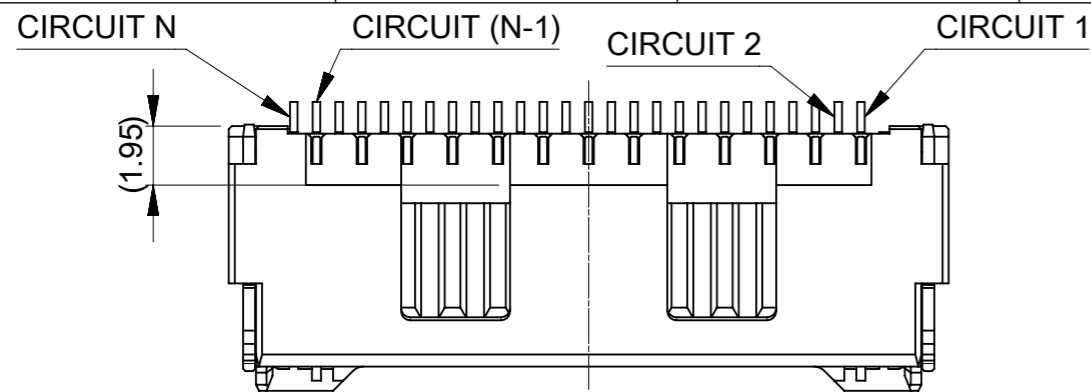
|             |                       |
|-------------|-----------------------|
| 插配长度        | 9.20mm                |
| 材料 - 金属     | Copper Alloy          |
| 材料 - 接合部位电镀 | Tin                   |
| 材料 - 终端电镀   | Tin                   |
| 材料 - 树脂     | Polyamide             |
| 净重          | 1440.001/mg           |
| 行数          | 2                     |
| 方向          | Right Angle           |
| 包装形式        | Embossed Tape on Reel |
| PCB 定位器     | 否                     |
| PCB 保持力     | 是                     |
| 推荐的 PCB 厚度  | 1.20mm, 1.70mm        |
| 间距 - 插配接口   | 1.50mm                |
| 间距 - 终端界面   | 0.75mm                |
| 有极性的插配件     | 是                     |
| PCB 极性      | 否                     |
| 自动布局        | Vacuum Pick-Up Area   |
| 可堆叠的        | 否                     |
| 运行温度范围      | -40° to +105° C       |
| 终端界面类型      | Surface Mount         |

---

## 可配插/可连接使用的产品

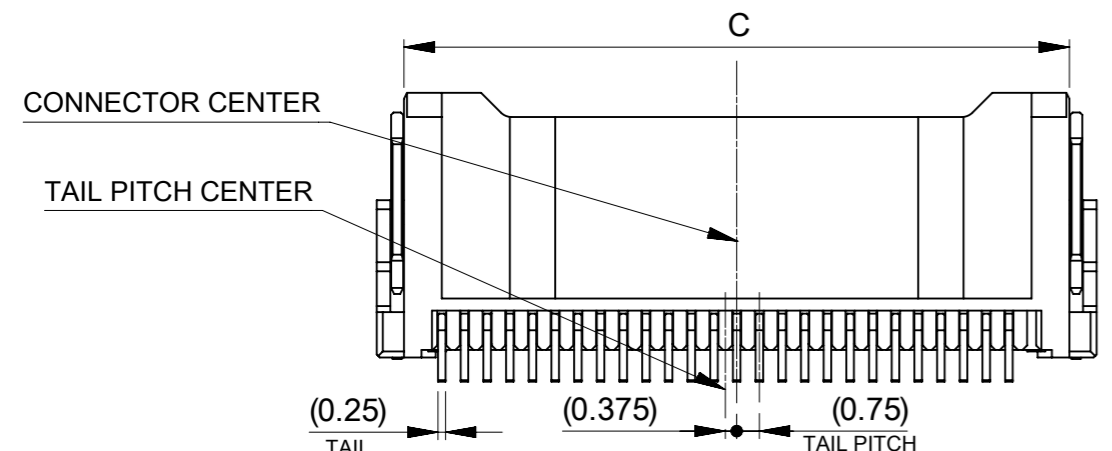
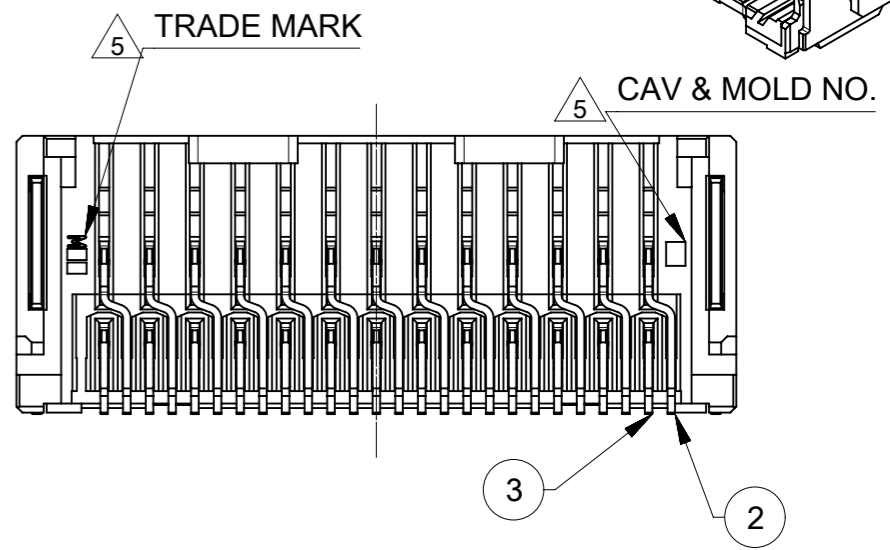
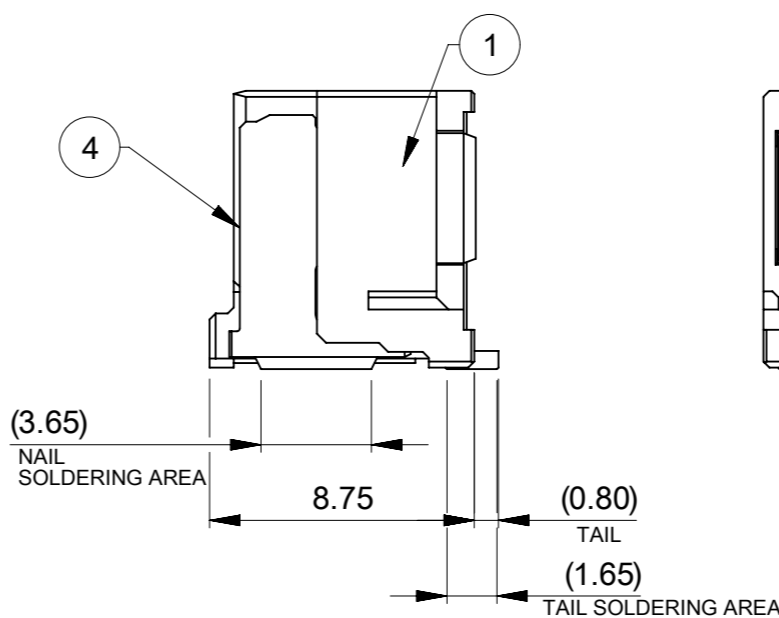
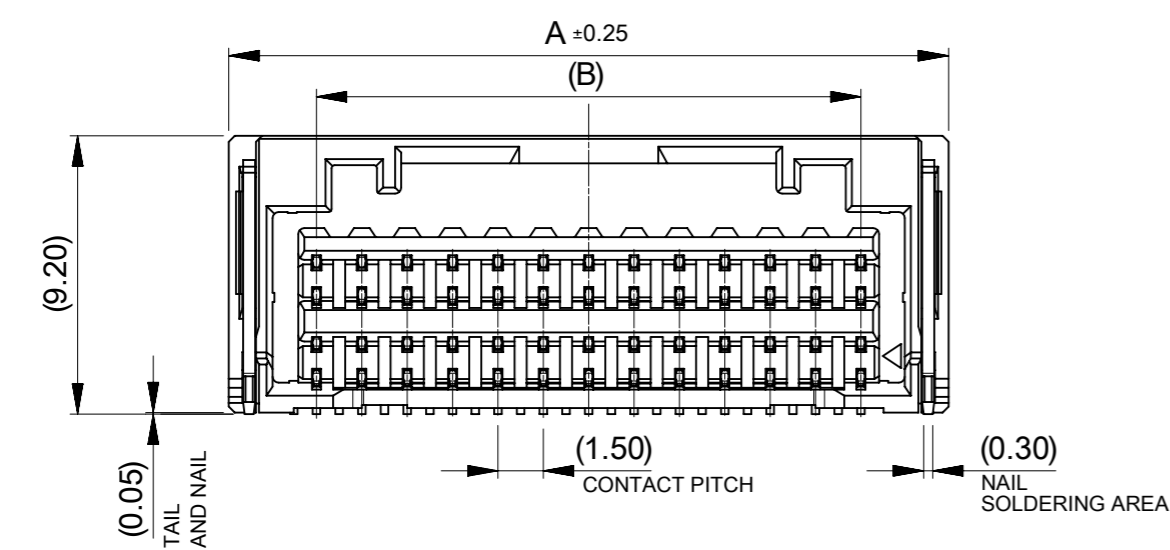
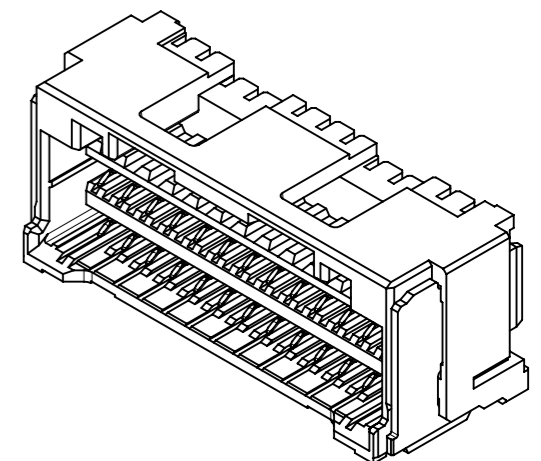
### 可配插部件

| 描述  | 产品编号          |
|---|---------------|
| 1.50mm Pitch CLIK-Mate Dual Row Plug Housings | <u>503149</u> |



**NOTE**

- 1. 端子テール部およびネイルの平坦度: 0.1mm MAX.  
TAIL AND NAIL COPLANARITY TO BE 0.1mm MAX.
- 2. (極数/2) = 偶数 に適用  
APPLY FOR (CIRCUIT SIZE/2) = EVEN.
- 3. 適用製品及び各種仕様書はSHEET 4を参照のこと  
REFER TO SHEET 4 ABOUT APPLICABLE PRODUCTS AND VARIOUS SPECIFICATIONS.



4. オーダー番号(製品番号): SHEET 6の製品一覧を参照のこと  
ORDER No (PRODUCT No) : REFER TO SHEET 6 FOR PRODUCT LIST.

**503148 \* \* 9 \***

シリーズ番号      極数      色  
SERIES NO      CIRCUIT SIZE      COLOR

| CIRCUIT | NO | COLOR                        |
|---------|----|------------------------------|
| 08~26   | 0  | ナチュラル (ページユ) NATURAL (BEIGE) |
|         | 1  | 黒 BLACK                      |
|         | 2  | 赤 RED                        |
|         | 4  | 青 BLUE                       |
|         | 6  | 緑 GREEN                      |

|      |       |        |      |                  |
|------|-------|--------|------|------------------|
| 22.0 | ±0.25 | 18.0   | 23.8 | 26               |
| 20.5 |       | 16.5   | 22.3 | 24               |
| 19.0 |       | 15.0   | 20.8 | 22               |
| 17.5 |       | 13.5   | 19.3 | 20               |
| 16.0 |       | 12.0   | 17.8 | 18               |
| 14.5 |       | 10.5   | 16.3 | 16               |
| 13.0 |       | 9.0    | 14.8 | 14               |
| 11.5 |       | 7.5    | 13.3 | 12               |
| 10.0 |       | 6.0    | 11.8 | 10               |
| 8.5  |       | (±0.2) | 4.5  | 10.3             |
| C    |       | B      | A    | 極数<br>CIRCUIT NO |

| 番号<br>NO. | 部品<br>PART                  | 材質<br>MATERIAL   |
|-----------|-----------------------------|--|
| ①         | ハウジング<br>HOUSING            | ポリアミド(PA) UL94V-0 色 : SEE CHART<br>POLYAMIDE(PA) UL94V-0 COLOR : SEE CHART |
| ②、③       | ターミナル A, B<br>TERMINAL A, B | 銅合金<br>COPPER ALLOY  |
|           |                             | 錫めっき : 1.0 micro-meter MIN<br>MATTE TIN PLATING(TAIL AREA)                 |
| ④         | ネイル<br>NAIL                 | ニッケルめっき(下地) : 1.0 micro-meter MIN<br>NICKEL (UNDER PLATING)                |
|           |                             | 黄銅<br>BRASS  |
|           |                             | 錫めっき : 1.0 micro-meter MIN<br>MATTE TIN PLATING                            |
| ④         | ネイル<br>NAIL                 | ニッケルめっき(下地) : 1.0 micro-meter MIN<br>NICKEL (UNDER PLATING)                |
|           |                             | ニッケルめっき(下地) : 1.0 micro-meter MIN<br>NICKEL (UNDER PLATING)                |

5. トレードマーク : Mプラス 2文字の製造工場を示す  
アルファベットにて表示。  
但し、"J"はJAPANを、"L"はMALAYSIAを示す。  
(例 : MXJ, MXL)  
金型番号 : アルファベット2文字にて表示。  
(例 : 1A, 12A, 1B, 12B)

THIS DRAWING CONTAINS INFORMATION THAT IS PROPRIETARY TO MOLEX ELECTRONIC TECHNOLOGIES, LLC AND SHOULD NOT BE USED WITHOUT WRITTEN PERMISSION

mm    NTS

GENERAL TOLERANCES (UNLESS SPECIFIED)

ANGULAR TOL ± 3.0°

4 PLACES ± 0.2

3 PLACES ± 0.2

2 PLACES ± 0.2

1 PLACE ± 0.25

0 PLACES ± 0.3

DRAFT WHERE APPLICABLE MUST REMAIN WITHIN DIMENSIONS

THIRD ANGLE PROJECTION

DRAWING A3-SIZE

SERIES 503148

CURRENT REV DESC: REVISED

EC NO: 680153

DRWN: MIKEDA01 2021/10/05

CHK'D: SAKIYAMA 2021/10/05

APPR: KOMURAKAMI 2021/10/05

INITIAL REVISION:

DRWN: MIKEDA01 2019/05/07

APPR: KOMURAKAMI 2020/03/03

DOCUMENT NUMBER 5031480000-SD

DOC TYPE PSD

DOC PART 000

REVISION E

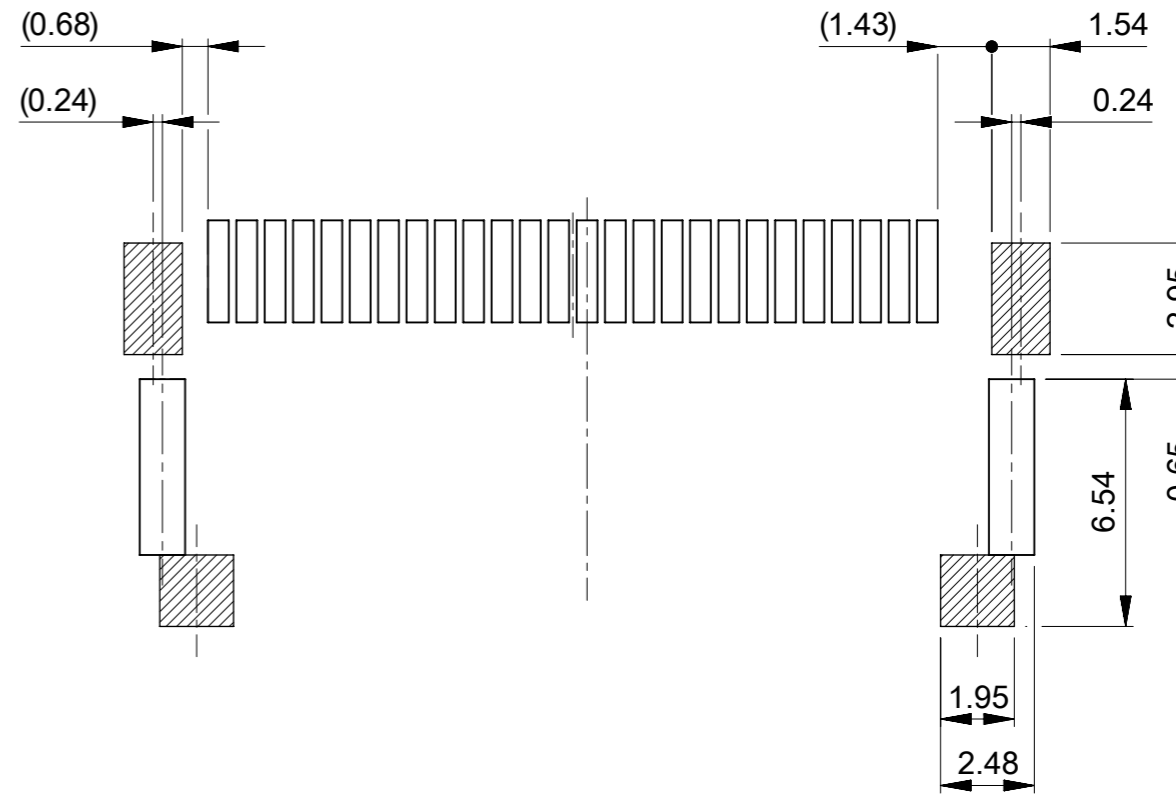
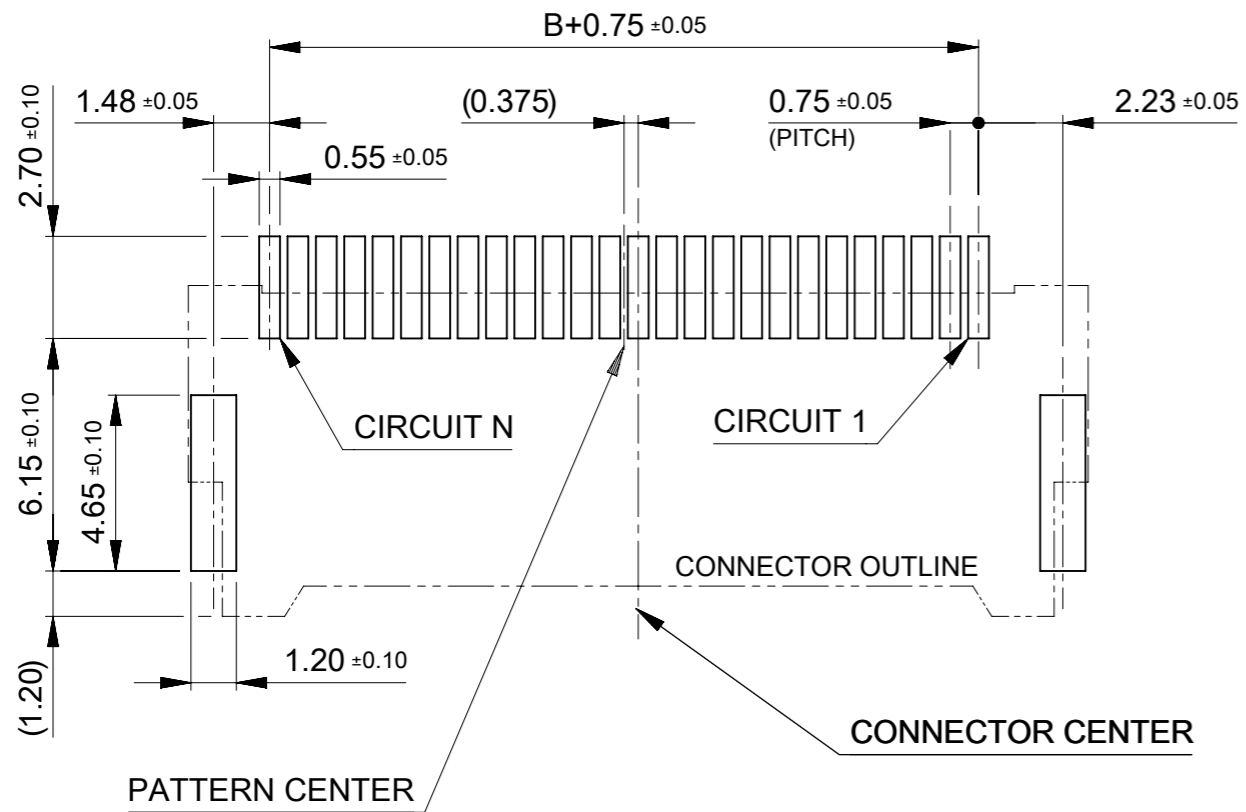
**molex**

CLIK-MATE 1.5  
DUAL ROW SMT R/A TYPE REC ASSY TIN PLATING

PRODUCT CUSTOMER DRAWING

CUSTOMER GENERAL

SHEET NUMBER 1 OF 6



**基板パターンレイアウト(参考)**  
RECCOMENDED PCB PATTERN LAYOUT (REF.)

(参考 : メタルマスク厚さ 0.10mm, マスク開口率100%)  
(REFERENCE: METAL STENCIL THICKNESS 0.10MM, APERTURE RATIO 100%)

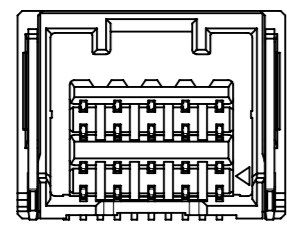
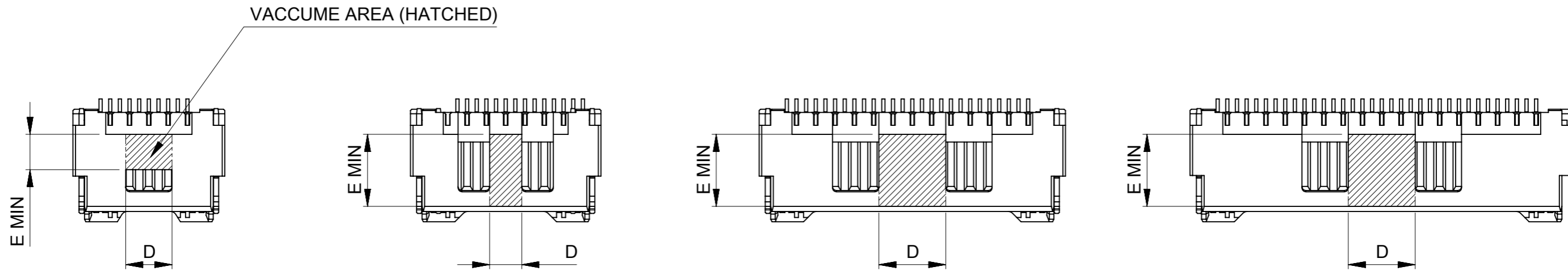
**NOTE**

- △ コネクタ下にパターン及びスルーホールを設置する場合、基板面からパターン盛り上がりは0.1mm MAX.とすること  
ただし、図示したパターン禁止エリアを除く  
THE CONVEX ON THE PCB TO BE 0.1mm MAX. WHEN SET SOME PATTERNS OR THROUGH HOLES UNDER THE CONNECTOR.  
EXCEPT INDICATED AREA.

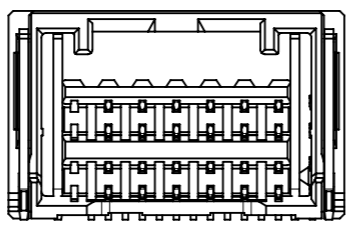
**△ パターン非推奨エリア**

パターンを引き回す際は、製品機能に影響がないことをご確認ください。  
PATTERN IS NOT RECCOMENDED ON THE HATCHED AREA.  
PLEASE CHECK NOT TO HAVE PROBLEM FOR PRODUCT FUNCTION  
WHEN SETTING PATTERN ON THE HATCHED AREA.

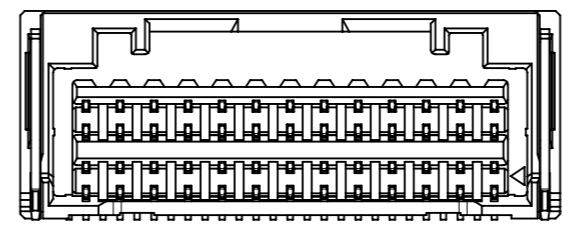
|   |  |  |  |   |  |            |  |                            |  |
|---|--|--|--|---|--|------------|--|----------------------------|--|
| THIS DRAWING CONTAINS INFORMATION THAT IS PROPRIETARY TO MOLEX ELECTRONIC TECHNOLOGIES, LLC AND SHOULD NOT BE USED WITHOUT WRITTEN PERMISSION |  |  |  |   |  |            |  |                            |  |
| DIMENSION UNITS   |  | SCALE  |  | CURRENT REV DESC: REVISED                                   |  |            |  | <b>molex</b>               |  |
| mm  |  | NTS  |  |   |  |            |  |                            |  |
| GENERAL TOLERANCES (UNLESS SPECIFIED)   |  |  |  | CLIK-MATE 1.5<br>DUAL ROW SMT R/A TYPE REC ASSY TIN PLATING |  |            |  |                            |  |
| ANGULAR TOL ± 3.0 °   |  |  |  | PRODUCT CUSTOMER DRAWING                                    |  |            |  |                            |  |
| 4 PLACES ± 0.2  |  | EC NO: 680153  |  | DRWN: MIKEDA01  |  | 2021/10/05 |  | DOCUMENT NUMBER            |  |
| 3 PLACES ± 0.2  |  | CHK'D: SAKIYAMA                                      |  | APPR: KOMURAKAMI  |  | 2021/10/05 |  | DOC TYPE DOC PART REVISION |  |
| 2 PLACES ± 0.2  |  | INITIAL REVISION:                                    |  | DRWN: MIKEDA01  |  | 2019/05/07 |  | 5031480000-SD              |  |
| 1 PLACE ± 0.25  |  | APPR: KOMURAKAMI                                     |  | DRWN: MIKEDA01  |  | 2020/03/03 |  | PSD 000 E                  |  |
| 0 PLACES ± 0.3  |  | DRAFT WHERE APPLICABLE MUST REMAIN WITHIN DIMENSIONS |  | THIRD ANGLE PROJECTION                                      |  | DRAWING    |  | SERIES                     |  |
|   |  |  |  | A3-SIZE   |  | 503148     |  | MATERIAL NUMBER            |  |
|   |  |  |  | GENERAL   |  |            |  | CUSTOMER                   |  |
|   |  |  |  |   |  |            |  | SHEET NUMBER               |  |
|   |  |  |  |   |  |            |  | 2 OF 6                     |  |



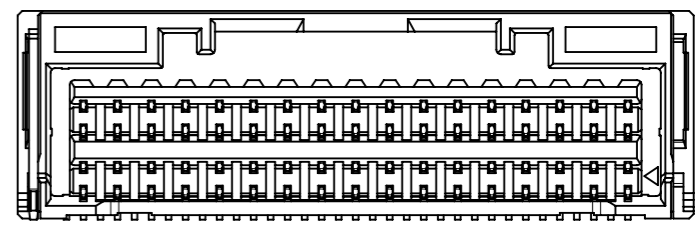
8-10極  
8-10 CKT



12-18極  
12-18 CKT

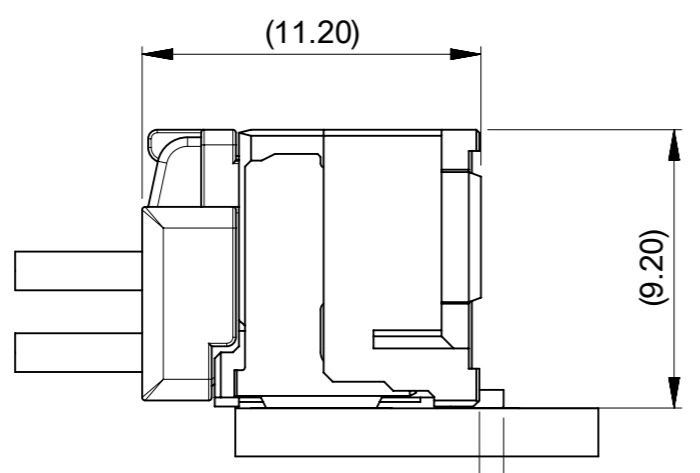


20-28極  
20-28 CKT



30-34極  
30-34 CKT

極数別ハウジング形状および吸着エリア  
HOUSING SHAPE AND VACCUME AREA AT EACH CKTS

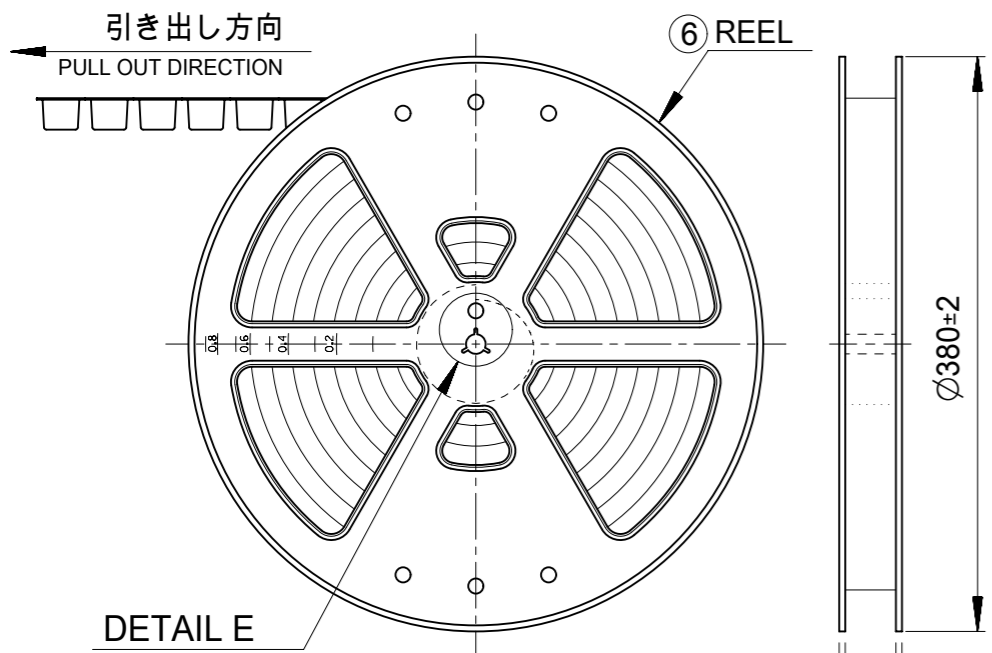


嵌合図  
MATED CONNECTORS

|      |     |                  |
|------|-----|------------------|
| 5.6  | 5.2 | 26               |
|      |     | 24               |
|      | 4.2 | 22               |
|      | 3.2 | 20               |
|      |     | 18               |
| 2.75 | 2.5 | 16               |
|      |     | 14               |
|      | 2.3 | 12               |
| E    | D   | 10               |
|      |     | 8                |
|      |     | 極数<br>CIRCUIT NO |

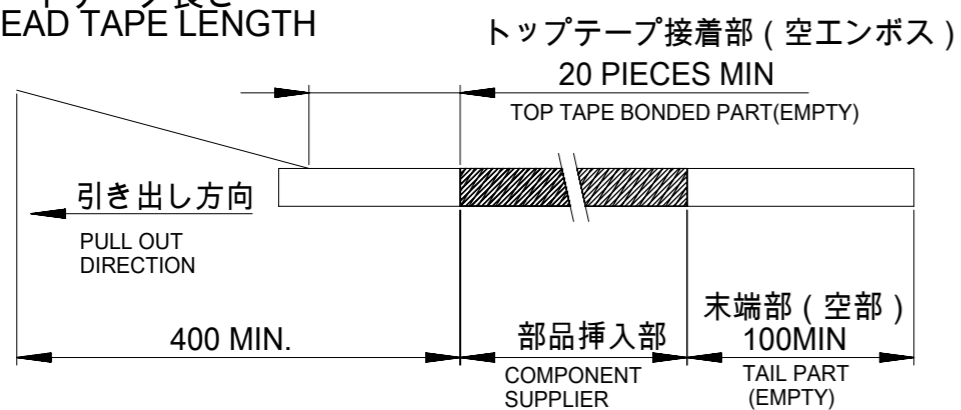
THIS DRAWING CONTAINS INFORMATION THAT IS PROPRIETARY TO MOLEX ELECTRONIC TECHNOLOGIES, LLC AND SHOULD NOT BE USED WITHOUT WRITTEN PERMISSION

|  |         |   |                 |          |
|--|---------|---|-----------------|----------|
| DIMENSION UNITS                                      | SCALE   | CURRENT REV DESC: REVISED   |                 |          |
| mm   | NTS     | <p>CLIK-MATE 1.5<br/>DUAL ROW SMT R/A TYPE REC ASSY TIN PLATING</p> <p>PRODUCT CUSTOMER DRAWING</p> |                 |          |
| GENERAL TOLERANCES (UNLESS SPECIFIED)                |         |   |                 |          |
| ANGULAR TOL  | ± 3.0 ° |   |                 |          |
| 4 PLACES   | ± 0.2   |   |                 |          |
| 3 PLACES   | ± 0.2   |   |                 |          |
| 2 PLACES   | ± 0.2   | EC NO: 680153   | 2021/10/05      |          |
| 1 PLACE  | ± 0.25  | DRWN: MIKEDA01  | 2021/10/05      |          |
| 0 PLACES   | ± 0.3   | CHK'D: SAKIYAMA   | 2021/10/05      |          |
| DRAFT WHERE APPLICABLE MUST REMAIN WITHIN DIMENSIONS |         | APPR: KOMURAKAMI  | 2021/10/05      |          |
| THIRD ANGLE PROJECTION                               |         | INITIAL REVISION:   | DOCUMENT NUMBER | DOC TYPE |
|  |         | DRWN: MIKEDA01  | 5031480000-SD   | PSD      |
| DRAWING  |         | APPR: KOMURAKAMI  | 000             | 000      |
| A3-SIZE  |         | SERIES  | E               |          |
| 503148   |         | MATERIAL NUMBER   | SHEET NUMBER    |          |
|  |         | CUSTOMER  | 3 OF 6          |          |
|  |         | GENERAL   |                 |          |

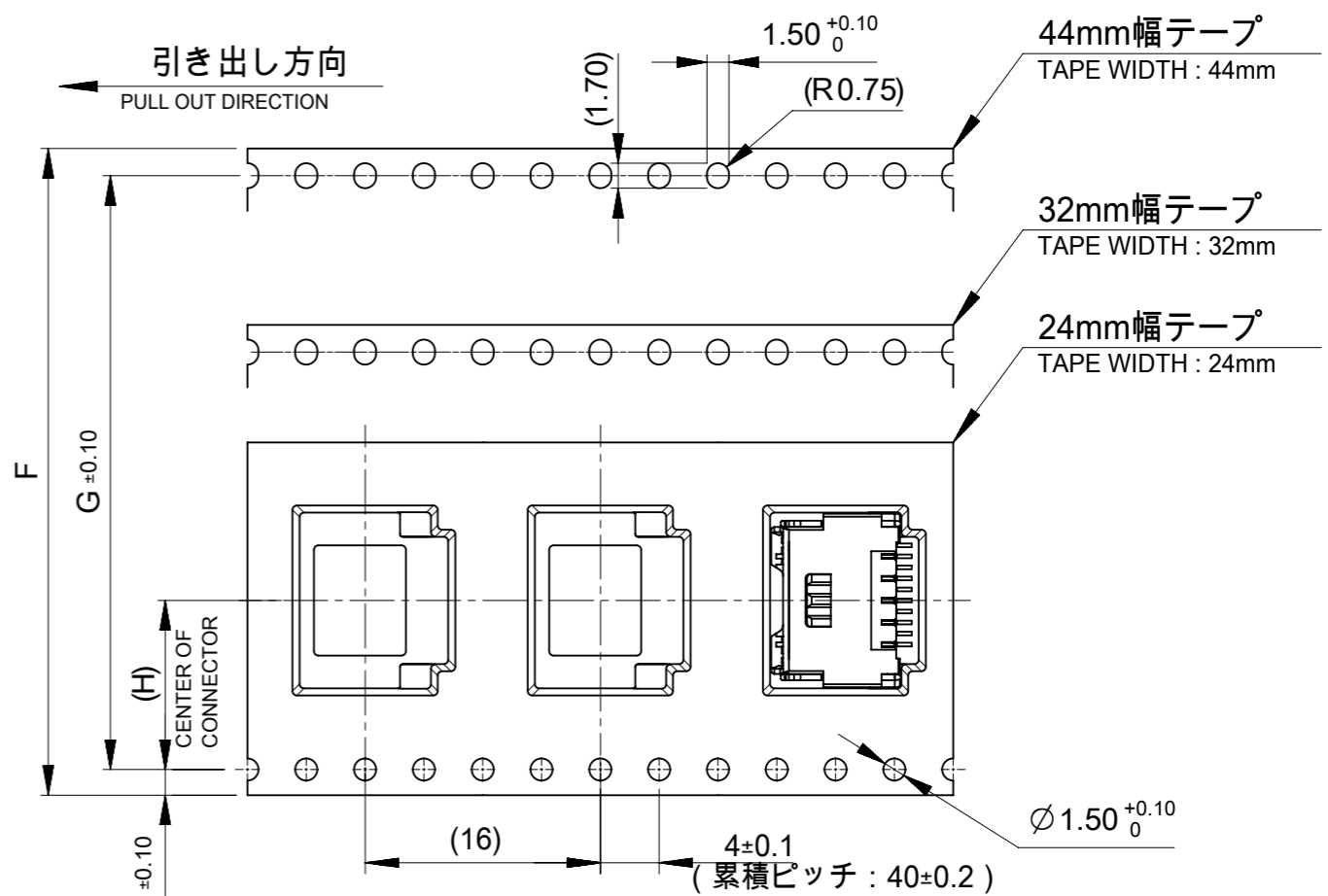
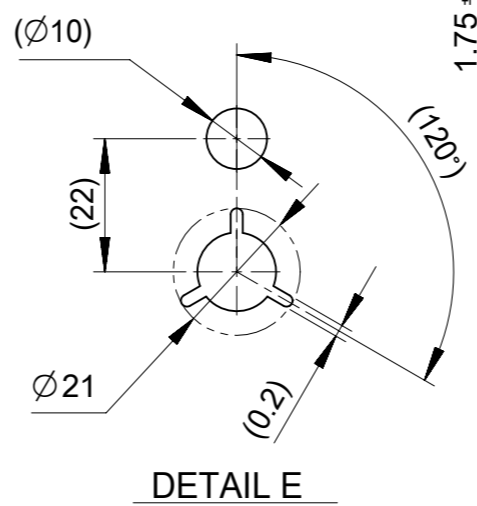
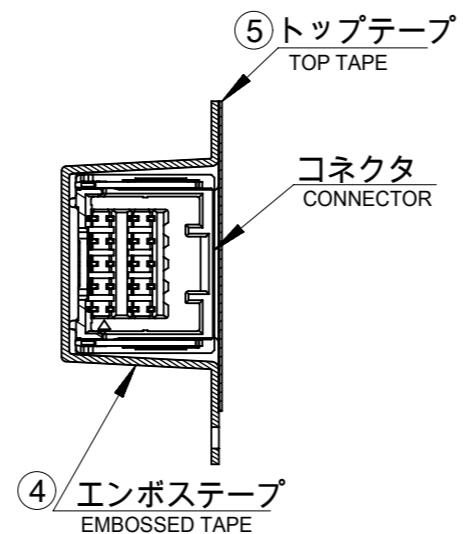


**NOTE**

- 7. 梱包数量 : 550個 / リール  
NUMBER OF CONNECTORS : 550 PIECES/REEL
- 8. リードテープ長さ  
LEAD TAPE LENGTH



- 9. トップテープの剥離強度: 0.1~1.3N (10.2~132.5gf)  
剥離方向は下記参照:  
PEELING OFF FORCE OF TOP TAPE  
PEELING DIRECTION AS SHOWN IN FOLLOWING FIGURE:  
尚、本規格は出荷時に適用。(ただし輸送時に剥離が発生しないこと)  
THIS REQUIREMENT SHOULD BE APPLIED AT SHIPMENT.  
PEELING OFF SHOULD NOT BE ALLOWED DURING TRANSPORTING.



|      |      |      |      |                                    |                  |
|------|------|------|------|------------------------------------|------------------|
| 49.4 | 45.4 | 20.2 | 40.4 | 44±0.3                             | 26               |
|      |      |      |      |                                    | 24               |
|      |      |      |      |                                    | 22               |
|      |      |      |      |                                    | 20               |
|      |      |      |      |                                    | 18               |
| 37.4 | 33.4 | 14.2 | 28.4 | 32±0.3                             | 16               |
|      |      |      |      |                                    | 14               |
|      |      |      |      |                                    | 12               |
| 29.4 | 25.4 | 11.5 | -    | 24 <sup>+0.3</sup> <sub>-0.1</sub> | 10               |
|      |      |      |      |                                    | 8                |
| K    | J    | H    | G    | エンボステープ幅F<br>WIDTH OF TAPE         | 極数<br>CIRCUIT NO |

| 番号<br>No. | 部品<br>PART                | 材質<br>MATERIAL  |
|-----------|---------------------------|---|
| ④         | エンボステープ<br>EMBOSSSED TAPE | ポリスチレン(PS)<br>POLYSTYLENE   |
| ⑤         | トップテープ<br>TOP TAPE        | ポリエチレン、ポリエチレンテレフタレート<br>POLYETHYLENE (PE), POLYETHYLENE TELEPHthalate (PET) |
| ⑥         | リール<br>REEL               | ポリスチレン (リサイクル材を含む)<br>POLYSTYLENE (CONTAINED RECYCLED MATERIAL)             |

THIS DRAWING CONTAINS INFORMATION THAT IS PROPRIETARY TO MOLEX ELECTRONIC TECHNOLOGIES, LLC AND SHOULD NOT BE USED WITHOUT WRITTEN PERMISSION

DIMENSION UNITS: mm SCALE: NTS

GENERAL TOLERANCES (UNLESS SPECIFIED):  
 ANGULAR TOL ± 3.0°  
 4 PLACES ± 0.2  
 3 PLACES ± 0.2  
 2 PLACES ± 0.2  
 1 PLACE ± 0.25  
 0 PLACES ± 0.3

EC NO: 680153  
 DRWN: MIKEDA01 2021/10/05  
 CHK'D: SAKIYAMA 2021/10/05  
 APPR: KOMURAKAMI 2021/10/05

INITIAL REVISION:  
 DRWN: MIKEDA01 2019/05/07  
 APPR: KOMURAKAMI 2020/03/03

THIRD ANGLE PROJECTION

DRAFT WHERE APPLICABLE MUST REMAIN WITHIN DIMENSIONS

DOCUMENT NUMBER: 5031480000-SD  
 DOC TYPE: PSD  
 DOC PART: 000  
 REVISION: E

SHEET NUMBER: 4 OF 6

△<sub>3</sub> 適用製品及び各種仕様書  
 APPLICABLE PRODUCTS AND VARIOUS SPECIFICATIONS

|                                  |                           |                                   |
|----------------------------------|---------------------------|-----------------------------------|
| 梱包仕様書<br>PACKAGING SPECIFICATION | PART NUMBER<br>503148**9* | DOCUMENT NUMBER<br>SPK-503148-001 |
|----------------------------------|---------------------------|-----------------------------------|

|  |                      |          |        |
|--|----------------------|----------|--------|
| 適用嵌合相手<br>MATE WITH                      | HOUSING              | TERMINAL |        |
|  |                      | #24-28   | #26-30 |
| シリーズ番号<br>SERIES NUMBER                  | 503149               | 502579   | 503429 |
| 製品仕様書<br>PRODUCT SPECIFICATION           | 5031490000-PS/PS/000 |          |        |
| アプリケーション仕様書<br>APPLICATION SPECIFICATION | AS-503149-001        |          |        |

|   |       |                            |  |                             |        |   |          |          |              |          |
|---|-------|----------------------------|--|-----------------------------|--------|---|----------|----------|--------------|----------|
| THIS DRAWING CONTAINS INFORMATION THAT IS PROPRIETARY TO MOLEX ELECTRONIC TECHNOLOGIES, LLC AND SHOULD NOT BE USED WITHOUT WRITTEN PERMISSION |       |                            |  |                             |        |   |          |          |              |          |
| DIMENSION UNITS   | SCALE | CURRENT REV DESC: REVISED  |  |                             |        | <b>molex</b>  |          |          |              |          |
| mm  | NTS   |                            |  |                             |        | CLIK-MATE 1.5<br>DUAL ROW SMT R/A TYPE REC ASSY TIN PLATING |          |          |              |          |
| GENERAL TOLERANCES<br>(UNLESS SPECIFIED)  |       | EC NO: 680153              |  |                             |        | PRODUCT CUSTOMER DRAWING                                    |          |          |              |          |
| ANGULAR TOL ± 3.0 °   |       | 4 PLACES ± 0.2             |  | DRWN: MIKEDA01 2021/10/05   |        | DOCUMENT NUMBER   |          |          |              |          |
| 3 PLACES ± 0.2  |       | 3 PLACES ± 0.2             |  | CHK'D: SAKIYAMA 2021/10/05  |        | 5031480000-SD   |          | DOC TYPE | DOC PART     | REVISION |
| 2 PLACES ± 0.2  |       | 2 PLACES ± 0.2             |  | APPR: KOMURAKAMI 2021/10/05 |        |   |          | PSD      | 000          | E        |
| 1 PLACE ± 0.25  |       | 1 PLACE ± 0.25             |  | INITIAL REVISION:           |        | 2019/05/07  |          |          |              |          |
| 0 PLACES ± 0.3  |       | 0 PLACES ± 0.3             |  | DRWN: MIKEDA01 2020/03/03   |        |   |          |          |              |          |
| DRAFT WHERE APPLICABLE<br>MUST REMAIN<br>WITHIN DIMENSIONS  |       | THIRD ANGLE PROJECTION<br> |  | DRAWING                     | SERIES | MATERIAL NUMBER   | CUSTOMER |          | SHEET NUMBER |          |
|   |       |                            |  | A3-SIZE                     | 503148 |   |          | GENERAL  |              | 5 OF 6   |

|                 |    |              |            |          |
|-----------------|----|--------------|------------|----------|
| DOCUMENT STATUS | P1 | RELEASE DATE | 2021/10/05 | 08:22:03 |
|-----------------|----|--------------|------------|----------|



4 製品一覧  
PRODUCTS LIST

| 緑<br>GREEN         | 青<br>BLUE   | 赤<br>RED    | 黒<br>BLACK  | ナチュラル(ベージュ)<br>NATURAL(BEIGE) | HOUSING<br>COLOR |
|--------------------|-------------|-------------|-------------|-------------------------------|------------------|
| 503148 2696        | 503148 2694 | 503148 2692 | 503148 2691 | 503148 2690                   | 26               |
| 503148 2496        | 503148 2494 | 503148 2492 | 503148 2491 | 503148 2490                   | 24               |
| 503148 2296        | 503148 2294 | 503148 2292 | 503148 2291 | 503148 2290                   | 22               |
| 503148 2096        | 503148 2094 | 503148 2092 | 503148 2091 | 503148 2090                   | 20               |
| 503148 1896        | 503148 1894 | 503148 1892 | 503148 1891 | 503148 1890                   | 18               |
| 503148 1696        | 503148 1694 | 503148 1692 | 503148 1691 | 503148 1690                   | 16               |
| 503148 1496        | 503148 1494 | 503148 1492 | 503148 1491 | 503148 1490                   | 14               |
| 503148 1296        | 503148 1294 | 503148 1292 | 503148 1291 | 503148 1290                   | 12               |
| 503148 1096        | 503148 1094 | 503148 1092 | 503148 1091 | 503148 1090                   | 10               |
| 503148 0896        | 503148 0894 | 503148 0892 | 503148 0891 | 503148 0890                   | 8                |
| オーダー番号<br>ORDER NO |             |             |             |                               | 極数<br>CIRCUIT NO |

|   |         |                           |  |         |            |                 |   |          |              |          |
|---|---------|---------------------------|--|---------|------------|-----------------|---|----------|--------------|----------|
| THIS DRAWING CONTAINS INFORMATION THAT IS PROPRIETARY TO MOLEX ELECTRONIC TECHNOLOGIES, LLC AND SHOULD NOT BE USED WITHOUT WRITTEN PERMISSION |         |                           |  |         |            |                 |   |          |              |          |
| DIMENSION UNITS   | SCALE   | CURRENT REV DESC: REVISED |  |         |            |                 | <b>molex</b>  |          |              |          |
| mm  | NTS     |                           |  |         |            |                 |   |          |              |          |
| GENERAL TOLERANCES<br>(UNLESS SPECIFIED)  |         |                           |  |         |            |                 | CLIK-MATE 1.5<br>DUAL ROW SMT R/A TYPE REC ASSY TIN PLATING |          |              |          |
| ANGULAR TOL   | ± 3.0 ° |                           |  |         |            |                 | PRODUCT CUSTOMER DRAWING                                    |          |              |          |
| 4 PLACES  | ± 0.2   | EC NO: 680153             |  |         |            |                 |   |          |              |          |
| 3 PLACES  | ± 0.2   | DRWN: MIKEDA01            |  |         | 2021/10/05 |                 |   |          |              |          |
| 2 PLACES  | ± 0.2   | CHK'D: SAKIYAMA           |  |         | 2021/10/05 |                 |   |          |              |          |
| 1 PLACE   | ± 0.25  | APPR: KOMURAKAMI          |  |         | 2021/10/05 |                 |   |          |              |          |
| 0 PLACES  | ± 0.3   | INITIAL REVISION:         |  |         |            |                 |   |          |              |          |
| DRAFT WHERE APPLICABLE<br>MUST REMAIN<br>WITHIN DIMENSIONS  |         | DRWN: MIKEDA01            |  |         | 2019/05/07 | DOCUMENT NUMBER |   | DOC TYPE | DOC PART     | REVISION |
|   |         | APPR: KOMURAKAMI          |  |         | 2020/03/03 | 5031480000-SD   |   | PSD      | 000          | E        |
|   |         | THIRD ANGLE PROJECTION    |  | DRAWING | SERIES     | MATERIAL NUMBER | CUSTOMER  |          | SHEET NUMBER |          |
|   |         |                           |  | A3-SIZE | 503148     |                 | GENERAL   |          | 6 OF 6       |          |