



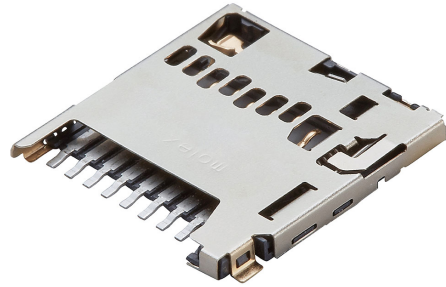
产品编号 : [5033981892](#)

Product Description : 1.10mm Pitch microSD
Memory Card Connector, Normal Mount
Surface Mount, Push-Push Type, 1.28mm
Height

系列号 : 503398

状态 : Active

Product Category : Memory / SIM Card
Connectors



文件和资源

图纸

[图纸 5033981892_sd.pdf](#)

3D 模型和设计文件

[3D模型 5033981892_stp.zip](#)

规格

[包装规格 SPK-503398-005-001.pdf](#)

[产品规格 PS-503398-002-001.pdf](#)

产物环境合规

合规

GADSL/IMDS	Compliant with Exemption 44; 33; 34
China RoHS	
EU ELV	Compliant per 2000/53/EC
Low-Halogen Status	Low-Halogen per IEC 61249-2-21
REACH SVHC	Not Contained per D(2023)3788-DC (14 Jun 2023)
EU RoHS	Compliant per EU 2015/863

[多部分产品合规性声明](#)

- Eu RoHS
- REACH SVHC
- Low-Halogen

[多部分行业合规性文件](#)

- IPC 1752A Class C
- IPC 1752A Class D
- Molex Product Compliance Declaration
- IEC-62474
- chemSHERPA (xml)

欧盟 RoHS 合格证书

产品详情

常规

状态	活动
类别	Memory / SIM Card Connectors
系列	503398
说明	1.10mm Pitch microSD Memory Card Connector, Normal Mount Surface Mount, Push-Push Type, 1.28mm Height
产品系列	SD and SIM Memory Card Sockets
产品名称	microSD Card
类型	Push-Push
UPC	884982801721

电气

每触点最大电流	0.5A
屏蔽	是
电压 - 最大	10V AC (RMS)/DC

物理

卡片探测开关	打开
插卡位置	Front
回路数 (已载入)	8
颜色-树脂	黑色
耐用性(插拔次数) - 最多次数	10000
弹出器按钮端	不适用
材料 - 触头	Copper Alloy
材料 - 接合部位电镀	金牌
材料 - 终端电镀	Tin

材料 - 外壳	Stainless Steel
净重	270.002/mg
包装形式	Embossed Tape on Reel
PCB 定位器	否
PCB 保持力	是
间距 - 插配接口	1.10mm
运行温度范围	-25° to +85° C
终端界面类型	Surface Mount

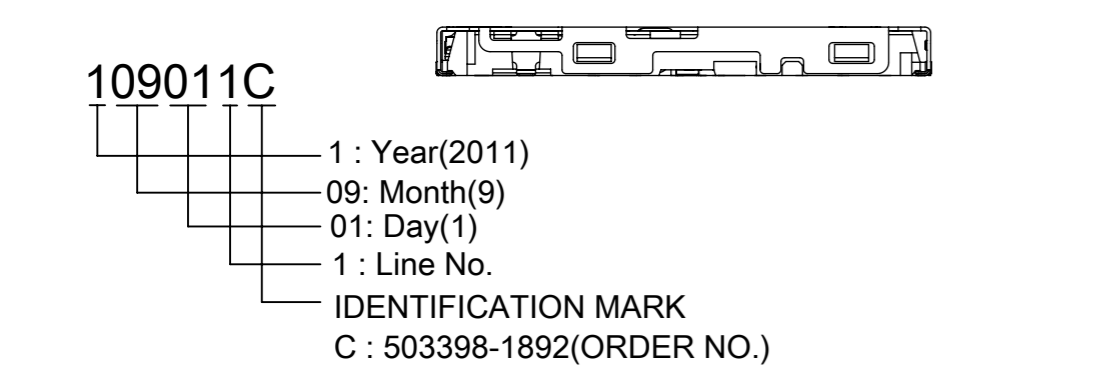
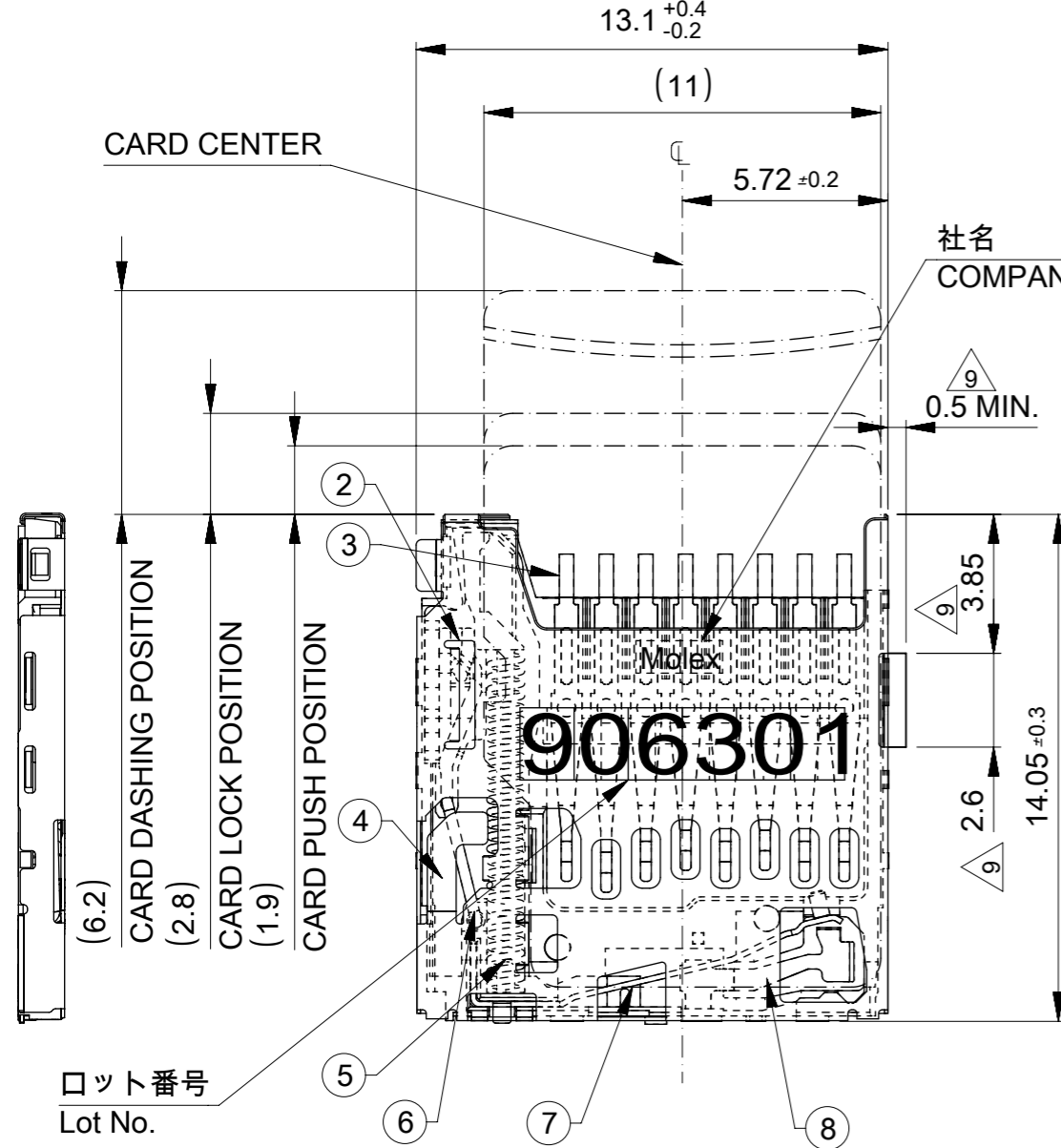
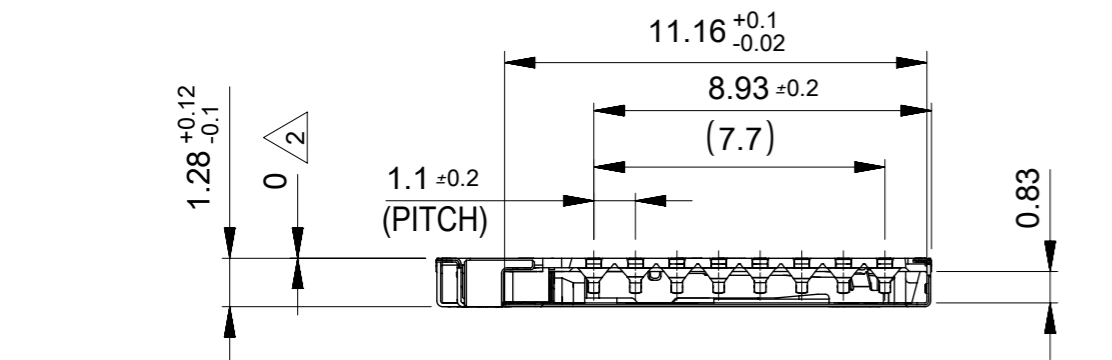
可连接使用部件

描述	产品编号
可装的端子等部件	microSD Card

NOTES:

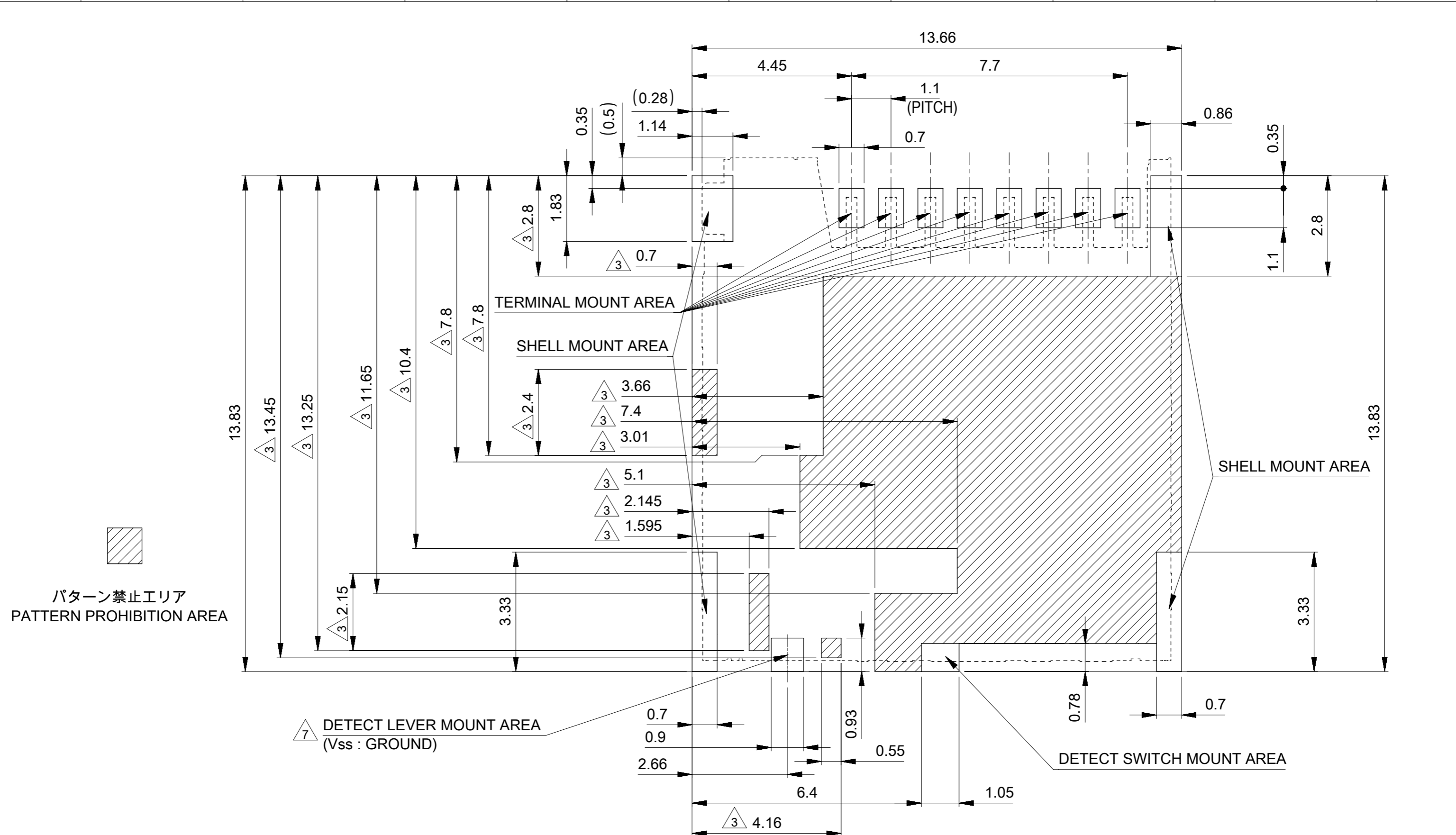
- 1.ターミナル及びネイルの平坦度は0.1 MAX.
(測定用定板面を基準)
TERMINAL AND NAIL COPLANARITY TO BE 0.1 MAX.(FROM GAUGE PLANE)
 - 2 スタンドオフ寸法 STAND OFF
 - 3 パターン禁止エリア PATTERN PROHIBITION AREA
 - 4.カード検知スイッチ DETECT SWITCH
- | | |
|--------------------------------|------------|
| カード挿入時 CARD INSERTING POSITION | クローズ CLOSE |
| カード未挿入時 NO CARD | オープン OPEN |
- 5.肉抜き位置は任意とする。CAVITY IS TO BE OPTIONAL.
 - 6.ロット印字は任意とする。LOT NUMBERING IS TO BE OPTIONAL.
 - 7.GND 推奨パターン GND RECOMMENDED PATTERN.
 - 8.ELV 及びRoHS適合品 ELV AND RoHS COMPLIANT.
 - 9.カード裏挿し誤挿入時、カード突出エリア
(他の部品の設置、非推奨範囲)
WHEN A CARD IS MISS-MATED IN THE REVERSE ORIENTATION, PART OF THE CARD PROTRUDES FROM THE SHELL DUE TO THE CARD-MISS MATING PREVENTION FEATURE. THEREFORE, NO COMPONENTS ARE ALLOWED TO BE PLACED IN THIS AREA.
 - 10.本製品はカード排出性向上品です。
This product is card ejection performance improvement type.

- PIN No.1: DAT2
- PIN No.2: CD/DAT3²
- PIN No.3: CMD
- PIN No.4: VDD
- PIN No.5: CLK
- PIN No.6: Vss
- PIN No.7: DAT0
- PIN No.8: DAT1



503398-1892	8
EMBOSSED PACKAGE	極数 CIRCUITS
オーダー番号 ORDER NO.	
CONNECTOR SERIES No. 503398-1821	

GENERAL TOLERANCES: (UNLESS SPECIFIED) 一般公差		THIS DRAWING CONTAINS INFORMATION THAT IS PROPRIETARY TO MOLEX ELECTRONIC TECHNOLOGIES, LLC AND SHOULD NOT BE USED WITHOUT WRITTEN PERMISSION	
10 UNDER 未満	±0.2	DIMENSION UNITS	SCALE
10 OVER 以上	30 UNDER 未満	mm	1:1
30 OVER 以上		GENERAL TOLERANCES (UNLESS SPECIFIED)	CURRENT REV DESC:
ANGLE 角度	±3°	ANGULAR TOL ±	EC NO: 635207
		4 PLACES ±	DRWN: YSEKI01 2020/04/02
		3 PLACES ±	CHK'D: MSASAO 2020/04/02
		2 PLACES ±	APPR: YNAITO 2020/04/02
		1 PLACE ±	INITIAL REVISION:
		0 PLACES ±	DRWN: YGOTO 2011/12/13
			APPR: YOITO 2011/12/16
DRAFT WHERE APPLICABLE MUST REMAIN WITHIN DIMENSIONS		THIRD ANGLE PROJECTION	DRAWING
			A3-SIZE
		SERIES	503398
		MATERIAL NUMBER	SEE CHART
		CUSTOMER	GENERAL MARKET
		DOCUMENT NUMBER	SD-503398-003
		DOC TYPE	PSD
		DOC PART	001
		REVISION	A3
		SHEET NUMBER	1 OF 3



RECOMMENDED
PCB PATTERN LAYOUT
(GENERAL TOLERANCE : ±0.05)

GENERAL TOLERANCES: (UNLESS SPECIFIED) 一般公差		THIS DRAWING CONTAINS INFORMATION THAT IS PROPRIETARY TO MOLEX ELECTRONIC TECHNOLOGIES, LLC AND SHOULD NOT BE USED WITHOUT WRITTEN PERMISSION	
10 UNDER 未満	±0.2	DIMENSION UNITS mm	SCALE 1:1
10 OVER 以上	30 UNDER 未満	CURRENT REV DESC:	
30 OVER 以上	±0.25	EC NO: 635207	
ANGLE 角度	±3°	DRWN: YSEKI01 2020/04/02	
		CHK'D: MSASAO 2020/04/02	
		APPR: YNAITO 2020/04/02	
		INITIAL REVISION:	
		DRWN: YGOTO 2011/12/13	
		APPR: YOITO 2011/12/16	
		DRAFT WHERE APPLICABLE MUST REMAIN WITHIN DIMENSIONS	
		THIRD ANGLE PROJECTION	
		DRAWING A3-SIZE	
		SERIES 503398	
		MATERIAL NUMBER	
		CUSTOMER GENERAL MARKET	
		SHEET NUMBER 2 OF 3	

molex

MICRO SD CONN.
PUSH/PUSH & NORMAL SUPER-SMALL TYPE

PRODUCT CUSTOMER DRAWING

DOCUMENT NUMBER: SD-503398-003
DOC TYPE: PSD
DOC PART: 001
REVISION: A3

番号 NO.	名称 NAME	材料 MATERIAL	仕上げ(めっき) FINISHES (PLATING)
1	ハウジング HOUSING	液晶ポリマー(LCP)、ガラス充填、UL94 V-0、黒 LIQUID CRYSTAL POLYMER (LCP), GLASS FILLED, UL94 V-0, BLACK ポリプラスチック製 VECTRA S475 VECTRA S475 MADE OF POLYPLASTICS	
2	カムスライダ CAM SLIDER	液晶ポリマー(LCP)、ガラス充填、UL94 V-0、黒 LIQUID CRYSTAL POLYMER (LCP), GLASS FILLED, UL94 V-0, BLACK ポリプラスチック製 VECTRA E130i VECTRA E130i MADE OF POLYPLASTICS	
3	ターミナル TERMINAL	燐青銅 C52100(t=0.15) PHOSPOHR BRONZE C52100(t=0.15)	接触部：金めっき (0.5μm MIN.) テール部：錫めっき (2.0μm MIN.) 下地：ニッケルめっき (1.0μm MIN.) CONTACT AREA : GOLD PLATING (0.5 MICROMETER MINIMUM.) SOLDER TAIL AREA : TIN PLATING (2.0 MICROMETER MINIMUM.) UNDERPLATE : NICKEL OVERALL (1.0 MICROMETER MINIMUM.)
4	シェル SHELL	ステンレス鋼 SUS301(t=0.1) STAINLESS STEEL SUS301(t=0.1)	基板実装部：金めっき (0.02μm MIN.) 下地：ニッケルめっき (0.5μm MIN.) NAIL AREA : GOLD PLATING (0.02 MICROMETER MINIMUM.) UNDERPLATE : NICKEL OVERALL (0.5 MICROMETER MINIMUM.)
5	スプリング SPRING	ピアノ線 SWP	全面：ニッケルめっき (3.0μm MIN.) NICKEL OVERALL (3.0 MICROMETER MINIMUM.)
6	ピン PIN	ステンレス鋼 SUS304 STAINLESS STEEL SUS304	
7	ディテクト レバー DETECT LEVER	燐青銅 C52100(t=0.15) PHOSPOHR BRONZE C52100(t=0.15)	接触部：金めっき (0.2μm MIN.) 基板実装部：金めっき 下地：ニッケルめっき CONTACT AREA : GOLD PLATING (0.2 MICROMETER MINIMUM.) NAIL AREA : GOLD PLATING UNDERPLATE : NICKEL OVERALL
8	ディテクト スイッチ DETECT SWITCH	燐青銅 C52100(t=0.15) PHOSPOHR BRONZE C52100(t=0.15)	接触部：金めっき (0.2μm MIN.) 基板実装部：金めっき 下地：ニッケルめっき CONTACT AREA : GOLD PLATING (0.2 MICROMETER MINIMUM.) NAIL AREA : GOLD PLATING UNDERPLATE : NICKEL OVERALL

GENERAL TOLERANCES: (UNLESS SPECIFIED) 一般公差		THIS DRAWING CONTAINS INFORMATION THAT IS PROPRIETARY TO MOLEX ELECTRONIC TECHNOLOGIES, LLC AND SHOULD NOT BE USED WITHOUT WRITTEN PERMISSION	
10 UNDER 未満	±0.2	mm	SCALE 1:1
10 OVER 以上	30 UNDER 未満	±0.25	GENERAL TOLERANCES (UNLESS SPECIFIED)
30 OVER 以上	±0.3	ANGULAR TOL ± °	CURRENT REV DESC:
ANGLE 角度	±3°	4 PLACES ±	EC NO: 635207
		3 PLACES ±	DRWN: YSEKI01 2020/04/02
		2 PLACES ±	CHK'D: MSASAO 2020/04/02
		1 PLACE ±	APPR: YNAITO 2020/04/02
		0 PLACES ±	INITIAL REVISION:
			DRWN: YGOTO 2011/12/13
			APPR: YOITO 2011/12/16
DRAFT WHERE APPLICABLE MUST REMAIN WITHIN DIMENSIONS		THIRD ANGLE PROJECTION	DRAWING
			A3-SIZE
		SERIES	503398
		MATERIAL NUMBER	GENERAL MARKET
		CUSTOMER	3 OF 3

molex

MICRO SD CONN.
PUSH/PUSH & NORMAL SUPER-SMALL TYPE

PRODUCT CUSTOMER DRAWING

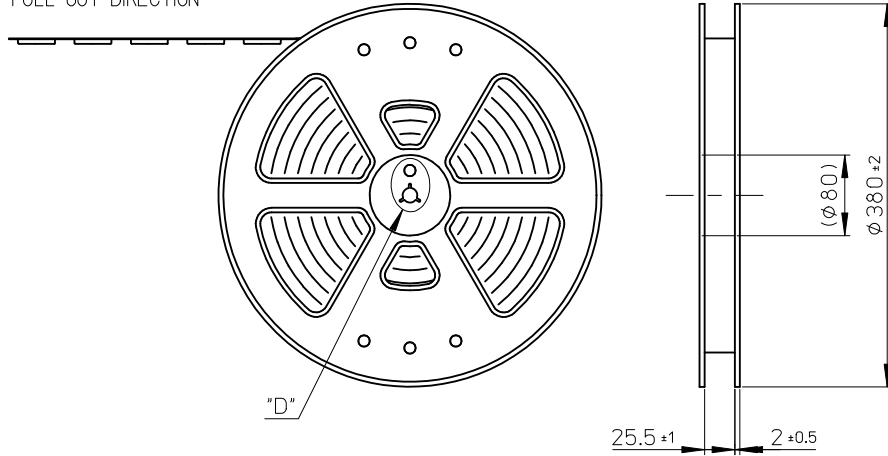
DOCUMENT NUMBER	DOC TYPE	DOC PART	REVISION
SD-503398-003	PSD	001	A3

DOCUMENT STATUS P1 RELEASE DATE 2020/04/02 04:22:19

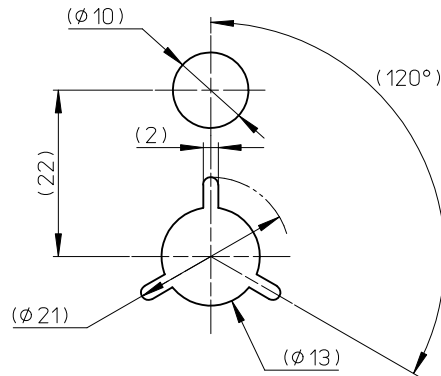
NOTES

- 製品詳細寸法については、SD 図面を参照下さい。
RE DETAILED DIMENSION, SEE SALES DRAWING.
- 梱包数量: 2400個/リール
NUMBER OF CONNECTORS: 2400 PCS/REEL.
- リードテープ長さ LEAD TAPE LENGTH.

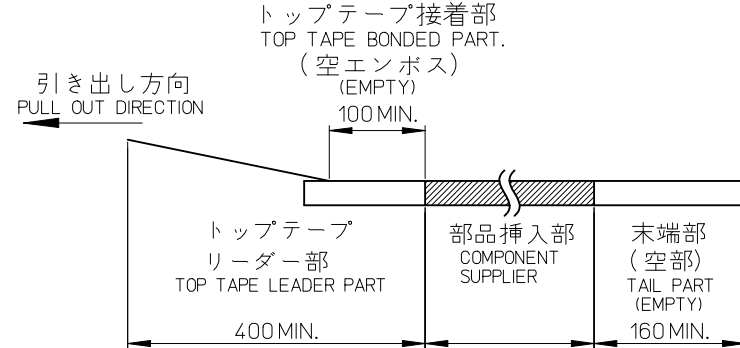
引き出し方向
PULL OUT DIRECTION



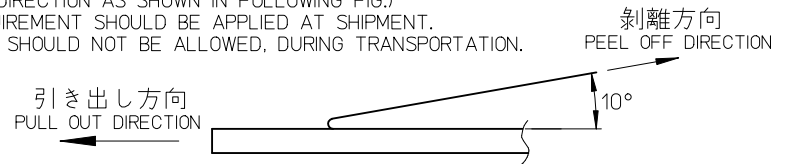
"D"



DETAIL "D"



- トップテープの剥離強度: JIS C0806-3に準拠(剥離方向は下図参照)
尚、本規格値は出荷時に適用。(但し、輸送時に剥離が発生しないこと。)
PEELING OFF FORCE OF TOP TAPE: BASED UPON JIS C0806-3
(PEELING DIRECTION AS SHOWN IN FOLLOWING FIG.)
THIS REQUIREMENT SHOULD BE APPLIED AT SHIPMENT.
PEEL OFF SHOULD NOT BE ALLOWED, DURING TRANSPORTATION.

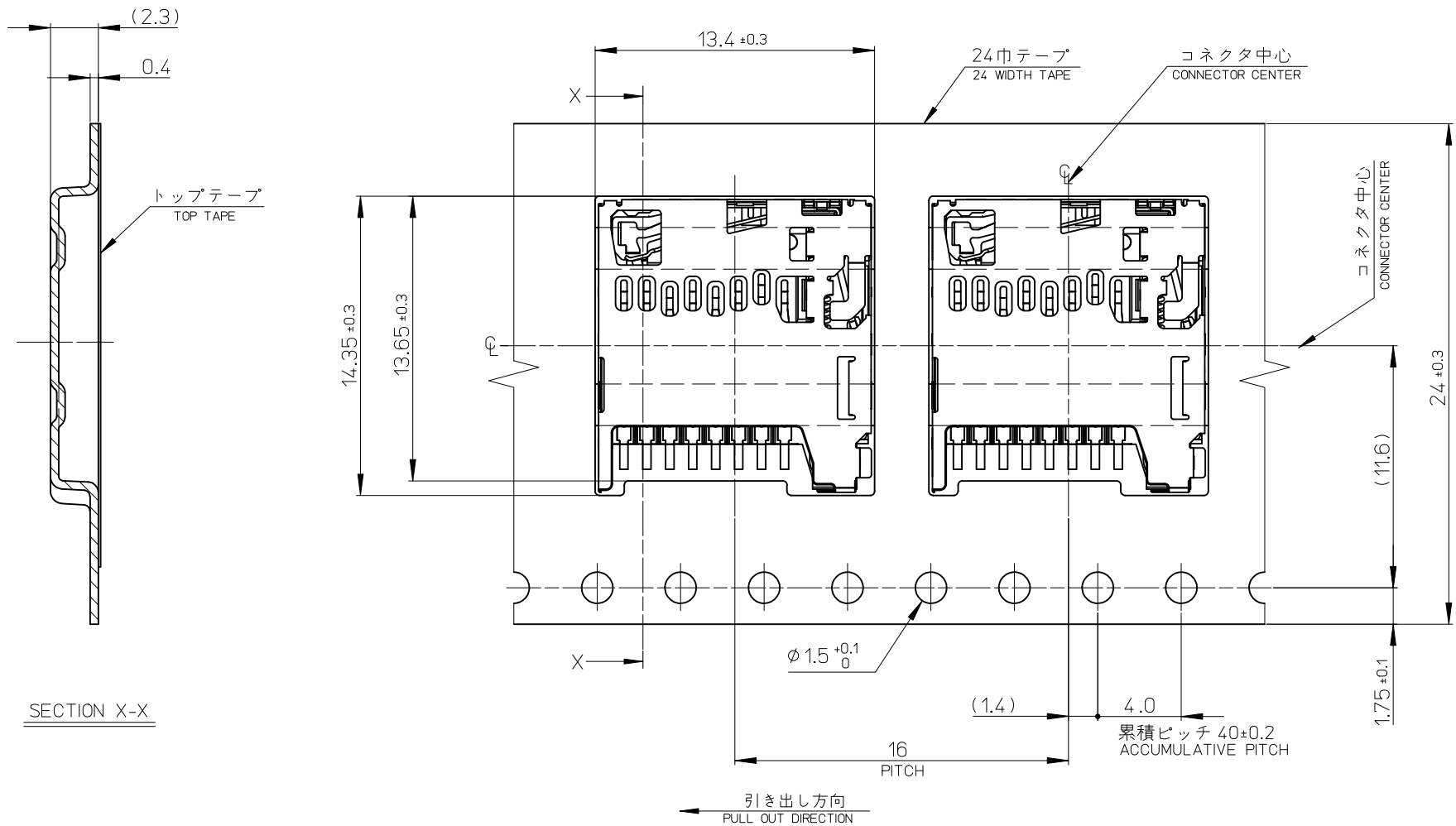


- 材料 MATERIAL
キャリアテープ (CARRIER TAPE): ポリスチレン (POLYSTYRENE)
トップテープ (TOP TAPE): PET, PE, PEF
リール (REEL): ポリスチレン (PS) <リサイクル材含む>
POLYSTYRENE (PS) <RECYCLE MATERIAL CONTAINED>

503398-1892	8
EMBOSSED PACKAGE	極数
オーダー番号 ORDER NO.	CIRCUITS
CONNECTOR SERIES No. 503398-1821	

RELEASED EC NO: J2012-0534 DRWN: YGOTO 2011/12/13 CHKD: MTOMITA 2011/12/13 APPR: YOITO 2011/12/16	GENERAL TOLERANCES (UNLESS SPECIFIED)		DIMENSION STYLE MM ONLY		SCALE 1:1	DESIGN UNITS METRIC	THIRD ANGLE PROJECTION
	10 UNDER	±0.2	DRAWN BY YGOTO	DATE 2011/12/13	TITLE EMBOSSED TAPE PACKAGE FOR 503398-18**		
	10 OVER 30 UNDER	±0.25	CHECKED BY MTOMITA	DATE 2011/12/13	MOLEX INCORPORATED		
	30 OVER	±0.3	APPROVED BY YOITO	DATE 2011/12/16	MATERIAL NO. SEE CHART	DOCUMENT NO. SD-503398-004	SHEET NO. 1 OF 2
	ANGULAR ±1 °	THIS DRAWING CONTAINS INFORMATION THAT IS PROPRIETARY TO MOLEX INCORPORATED AND SHOULD NOT BE USED WITHOUT WRITTEN PERMISSION					
	DRAFT WHERE APPLICABLE MUST REMAIN WITHIN DIMENSIONS						

10 9 8 7 6 5 4 3 2 1



SECTION X-X

RELEASED EC NO: J2012-0534 DRWN: YGOTO CHKD: MTOMITA APPR: YOITO REV: 0	2011/12/13 2011/12/13 2011/12/16	GENERAL TOLERANCES (UNLESS SPECIFIED)		DIMENSION STYLE MM ONLY		SCALE ---	DESIGN UNITS METRIC	THIRD ANGLE PROJECTION		
	10 UNDER	± 0.2	DRAWN BY YGOTO	DATE 2011/12/13	TITLE EMBOSSED TAPE PACKAGE FOR 503398-18**					
	10 OVER 30 UNDER	± 0.25	CHECKED BY MTOMITA	DATE 2011/12/13	MOLEX INCORPORATED					
	30 OVER	± 0.3	APPROVED BY YOITO	DATE 2011/12/16	MATERIAL NO. SEE CHART	DOCUMENT NO. SD-503398-004	SHEET NO. 2 OF 2			
	ANGULAR ± 1 °		DRAFT WHERE APPLICABLE MUST REMAIN WITHIN DIMENSIONS		THIS DRAWING CONTAINS INFORMATION THAT IS PROPRIETARY TO MOLEX INCORPORATED AND SHOULD NOT BE USED WITHOUT WRITTEN PERMISSION					