



产品编号：[50375073](#)

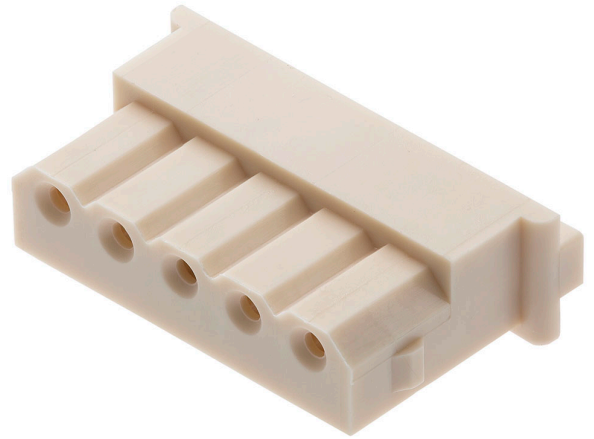
Product Description：2.50mm Pitch, Mini-SPOX Receptacle Crimp Housing, Single Row, Friction Lock, 7 Circuits, Natural

系列号：5264

状态：Active

Product Category：Connector Housings

工程编号：5264-07



文件和资源

图纸

[图纸 050375073_sd.pdf](#)

3D 模型和设计文件

[2D 图纸 DXF 050375073.dxf](#)

[2D 图纸 DXF PDF 050375073.pdf](#)

[3D模型 050375073_stp.zip](#)

规格


[包装规格 SPK-5264-001-001.pdf](#)

[产品规格 52641001-PS-000.pdf](#)

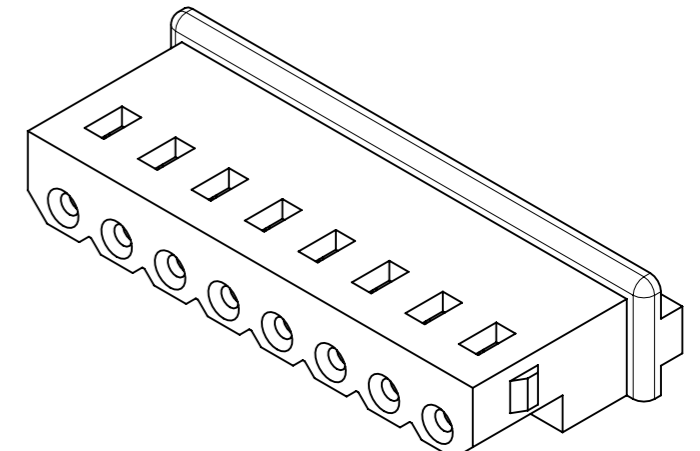
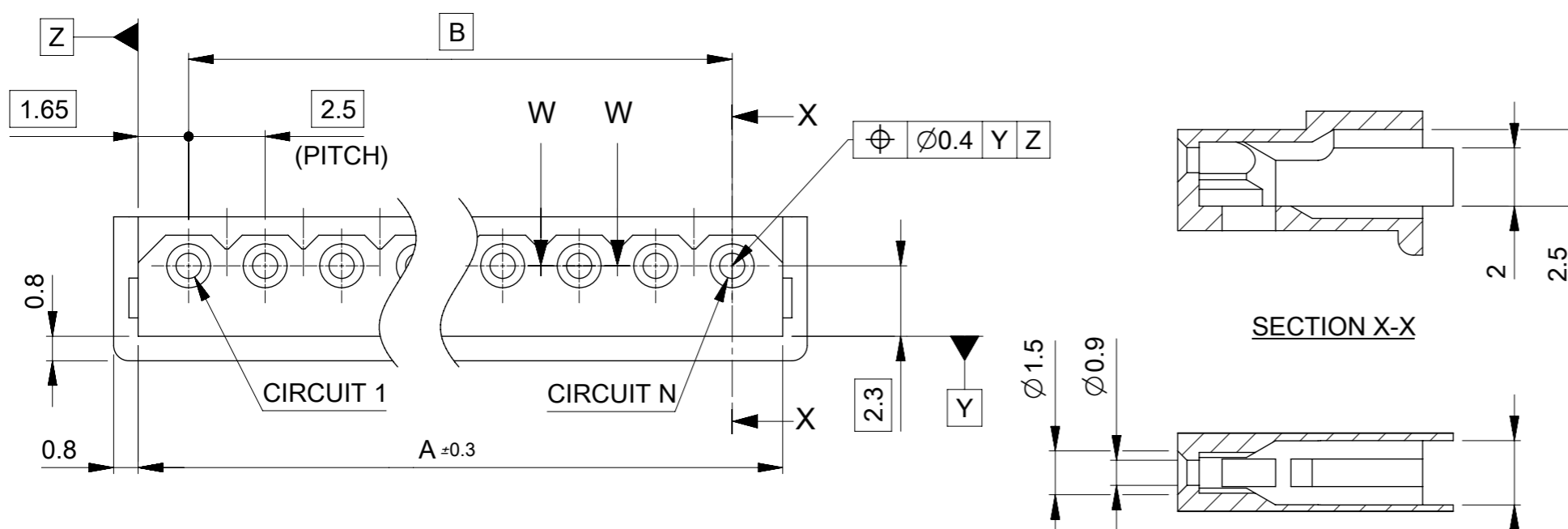
[产品规格 PS-5264-001-001.pdf](#)

产物环境合规

合规

GADSL/IMDS	Not Relevant
China RoHS	
EU ELV	Not Relevant
Low-Halogen Status	Low-Halogen per IEC 61249-2-21
REACH SVHC	Not Contained per D(2023)3788-DC (14 Jun 2023)
EU RoHS	Compliant per EU 2015/863

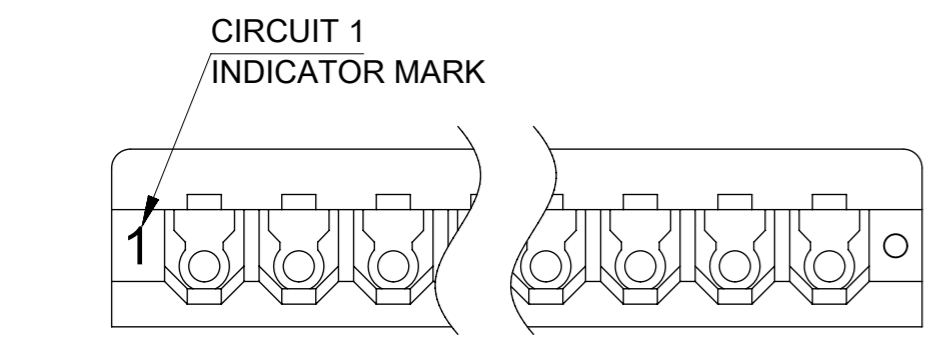
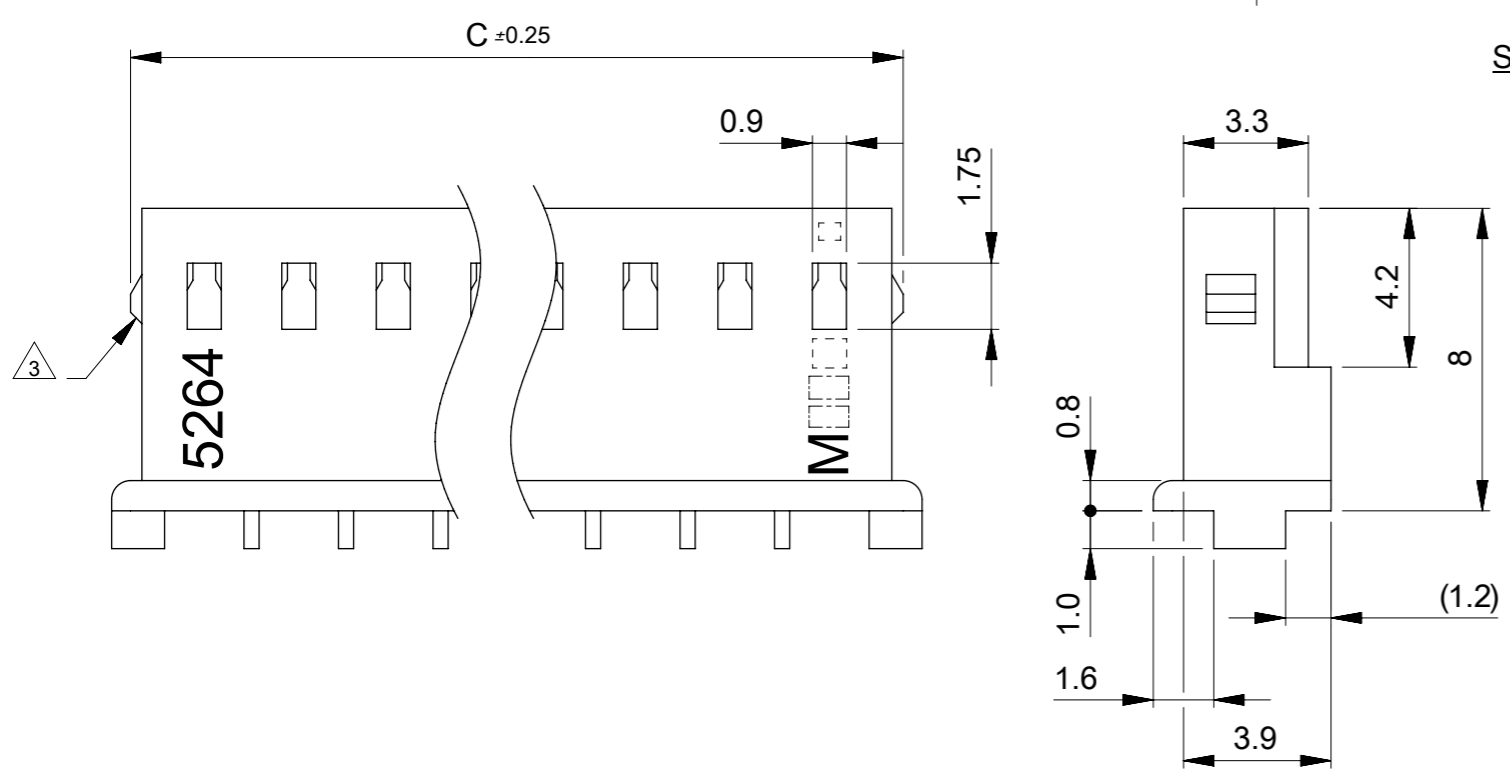
[多部分产品合规性声明](#)



注記:
NOTES:

- ① 材質: TABLE 1参照
MATERIAL: SEE TABLE 1
- ② 製品仕様書、適用嵌合相手、適用端子はSHEET 2をご参照ください。
PLEASE REFER TO SHEET 2 FOR PRODUCT SPECIFICATION, MATE WITH AND APPLICABLE TERMINAL.
- ③ 9極以上: ロックなし
MORE THAN 9 CIRCUIT: NO LOCKS
- ④ オーダー番号: ORDER NO.
50375**3

極数
CIRCUIT SIZE



—	35	38.3	ポリ袋 POLY BAG	5264N	526415	50375153	15		
—	32.5	35.8			526414	50375143	14		
—	30	33.3			526413	50375133	13		
—	27.5	30.8			526412	50375123	12		
—	25	28.3			526411	50375113	11		
—	22.5	25.8			526410	50375103	10		
—	20	23.3			526409	50375093	9		
21.4	17.5	20.8			526408	50375083	8		
18.9	15	18.3			526407	50375073	7		
16.4	12.5	15.8			526406	50375063	6		
13.9	10	13.3			526405	50375053	5		
11.4	7.5	10.8			526404	50375043	4		
8.9	5	8.3			526403	50375033	3		
6.4	2.5	5.8			526402	50375023	2		
C	B	A			梱包形態 PACKAGING	シリーズ番号 SERIES NO.	ENG. NO.	④ オーダー番号 ORDER NO.	極数 CIRCUIT SIZE

① TABLE 1

部品 PART	材質 MATERIAL
ハウジング HOUSING	ポリアミド(PA), UL94V-0, 色: ナチュラル(アイボリー) POLYAMIDE(PA): UL94V-0, COLOR: NATURAL (IVORY)

THIS DRAWING CONTAINS INFORMATION THAT IS PROPRIETARY TO MOLEX ELECTRONIC TECHNOLOGIES, LLC AND SHOULD NOT BE USED WITHOUT WRITTEN PERMISSION

DIMENSION UNITS: mm SCALE: NTS

GENERAL TOLERANCES (UNLESS SPECIFIED): ANGULAR TOL ± 3.0°

4 PLACES ± 0.2
3 PLACES ± 0.2
2 PLACES ± 0.2
1 PLACE ± 0.2
0 PLACES ±

EC NO: 636780
DRWN: SUDAYGUNAGI 2019/06/21
CHK'D: SAKIYAMA 2020/05/13
APPR: KOMURAKAMI 2020/05/13

INITIAL REVISION:
DRWN: SUDAYGUNAGI 2019/06/21
APPR: KOMURAKAMI 2020/05/13

THIRD ANGLE PROJECTION

DRAWING: A3-SIZE SERIES: 5264

MATERIAL NUMBER: SEE CHART CUSTOMER: GENERAL SHEET NUMBER: 1 OF 2

DOCUMENT NUMBER: 52640001-SD DOC TYPE: PSD DOC PART: 000 REVISION: A

PRODUCT CUSTOMER DRAWING

molex

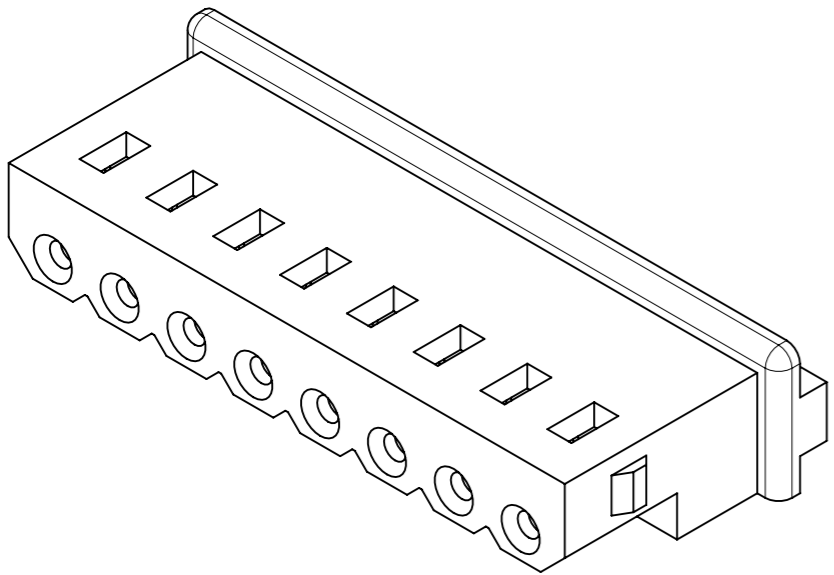
MINI-SPOX 2.5 W/B RECEPTACLE HOUSING

△ 適用製品及び各種仕様書
 APPLICABLE PRODUCTS AND VARIOUS SPECIFICATIONS

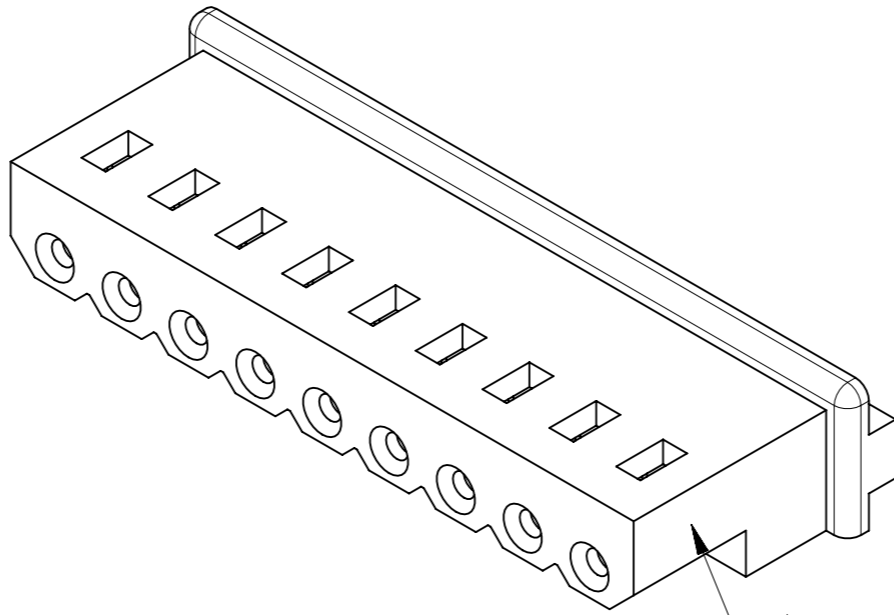
梱包仕様書 PACKAGING SPECIFICATION	ORDER NO.	SPECIFICATION NO.	
	50375**3	SPK-5264-001	
適用端子 APPLICABLE TERMINAL	SERIES NO.	PLATING TYPE	WIRE SIZE
	5263PBT, 5263PBTB	TIN	#22-#28
嵌合相手 MATE WITH	VERTICAL		RIGHT ANGLE
シリーズ番号 SERIES NO.	5267NA, 5267NAX		5268NA
製品仕様書 PRODUCT SPECIFICATION	PS-5264-001 PS 001		

製品嵌合図は各"嵌合相手"図面を参照のこと
 MATING VIEW : REFER TO "MATE WITH" PART DRAWING

製品形状
 PRODUCT SHAPE



2-8極
 2-8 CIRCUIT



9-15極
 9-15 CIRCUIT

THIS DRAWING CONTAINS INFORMATION THAT IS PROPRIETARY TO MOLEX ELECTRONIC TECHNOLOGIES, LLC AND SHOULD NOT BE USED WITHOUT WRITTEN PERMISSION									
DIMENSION UNITS	SCALE	CURRENT REV DESC: MIGRATED					molex		
mm	NTS								
GENERAL TOLERANCES (UNLESS SPECIFIED)							MINI-SPOX 2.5 W/B RECEPTACLE HOUSING		
ANGULAR TOL	± 3.0 °						PRODUCT CUSTOMER DRAWING		
4 PLACES	±	EC NO: 636780	2019/06/21		DOCUMENT NUMBER: 52640001-SD				
3 PLACES	±	DRWN: SUDAYGUNAGI	2020/05/13						
2 PLACES	± 0.2	CHK'D: SAKIYAMA	2020/05/13		DOC TYPE: PSD		DOC PART: 000		REVISION: A
1 PLACE	± 0.2	APPR: KOMURAKAMI	2020/05/13						
0 PLACES	±	INITIAL REVISION:							
DRAFT WHERE APPLICABLE MUST REMAIN WITHIN DIMENSIONS		THIRD ANGLE PROJECTION		DRAWING	SERIES	MATERIAL NUMBER	CUSTOMER		SHEET NUMBER
		A3-SIZE		5264	SEE SHEET 1	GENERAL		2 OF 2	

- Eu RoHS
- REACH SVHC
- Low-Halogen

多部分行业合规性文件

- IPC 1752A Class C
- IPC 1752A Class D
- Molex Product Compliance Declaration
- IEC-62474
- chemSHERPA (xml)

欧盟 RoHS 合格证书

产品详情

常规

状态	活动
类别	Connector Housings
系列	5264
说明	2.50mm Pitch, Mini-SPOX Receptacle Crimp Housing, Single Row, Friction Lock, 7 Circuits, Natural
应用	Signal, Wire-to-Board
产品系列	Mini-SPOX Wire-to-Board Connector System
产品名称	Mini-SPOX
UPC	800753749528

机构

UL	E29179
----	--------

物理

电路数（最多）	7
颜色-树脂	Natural
阻燃性	94V-0
性别	Receptacle
符合灼热丝规范	否
锁定插接部位	是
材料 - 树脂	Nylon

净重	383.300/mg
行数	1
包装形式	Bag
面板安装式	否
间距 - 插配接口	2.50mm
有极性的插配件	是
可堆叠的	否
运行温度范围	-55° to +105° C

可配插/可连接使用的产品

可配插部件

描述	产品编号
Mini-SPOX Vertical Single Row Headers	<u>5267</u>
Mini-SPOX Right-Angle Single Row Headers	<u>5268</u>

可连接使用部件

描述	产品编号
Mini-SPOX Female Crimp Terminals	<u>5263</u>