



产品编号：[50375123](#)

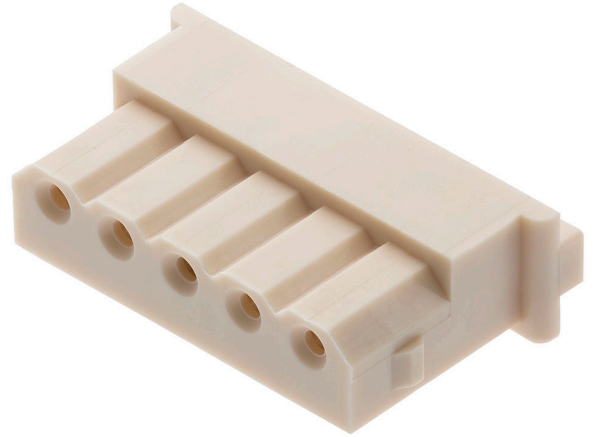
Product Description：2.50mm Pitch, Mini-SPOX Receptacle Crimp Housing, Single Row, 12 Circuits, Natural

系列号：5264

状态：Active

Product Category：Connector Housings

工程编号：5264-12



文件和资源

图纸

[图纸 050375123_sd.pdf](#)

3D 模型和设计文件

[2D 图纸 DXF 050375123.dxf](#)

[2D 图纸 DXF PDF 050375123.pdf](#)

[3D模型 050375123_stp.zip](#)

规格


[包装规格 SPK-5264-001-001.pdf](#)

[产品规格 52641001-PS-000.pdf](#)

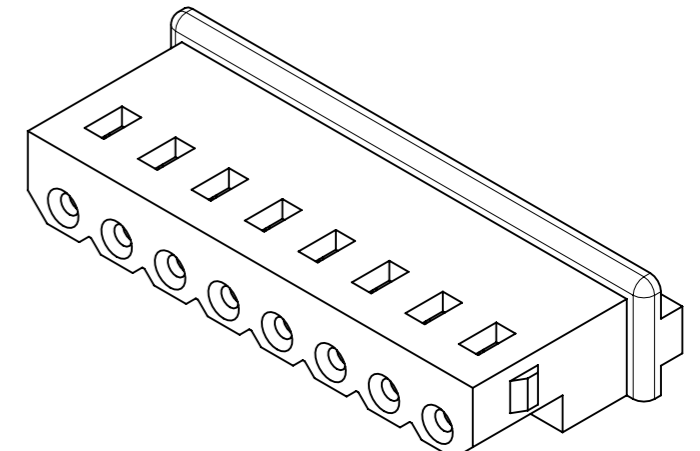
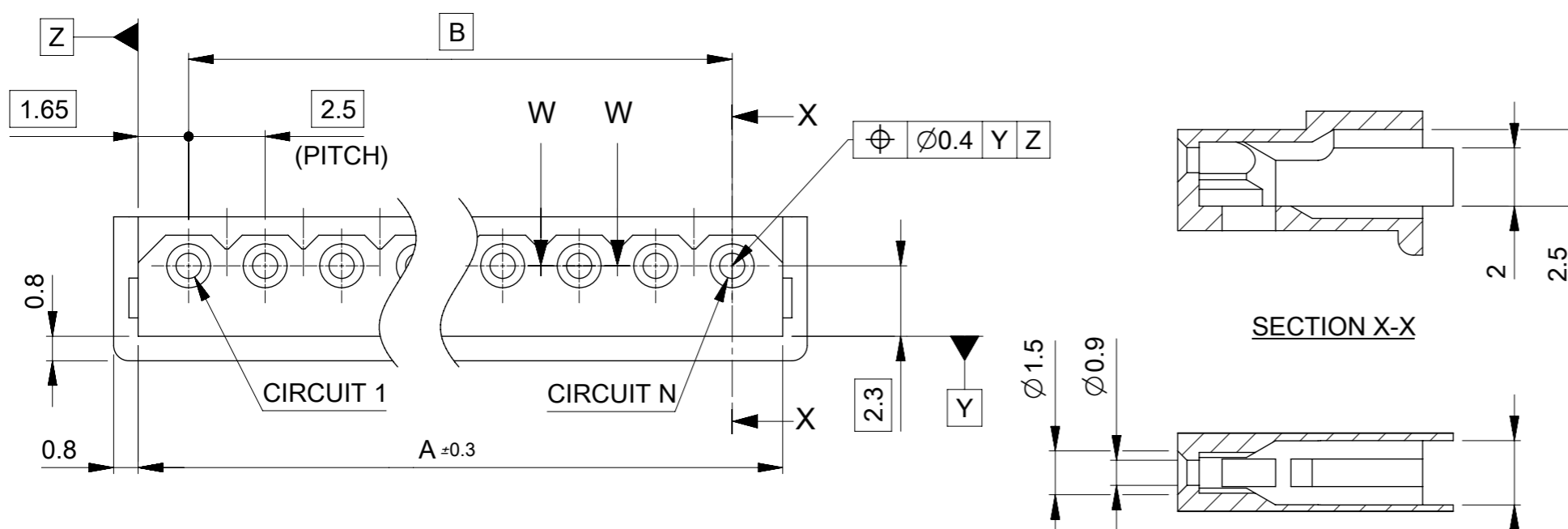
[产品规格 PS-5264-001-001.pdf](#)

产物环境合规

合规

GADSL/IMDS	Not Relevant
China RoHS	
EU ELV	Not Relevant
Low-Halogen Status	Low-Halogen per IEC 61249-2-21
REACH SVHC	Not Contained per D(2023)3788-DC (14 Jun 2023)
EU RoHS	Compliant per EU 2015/863

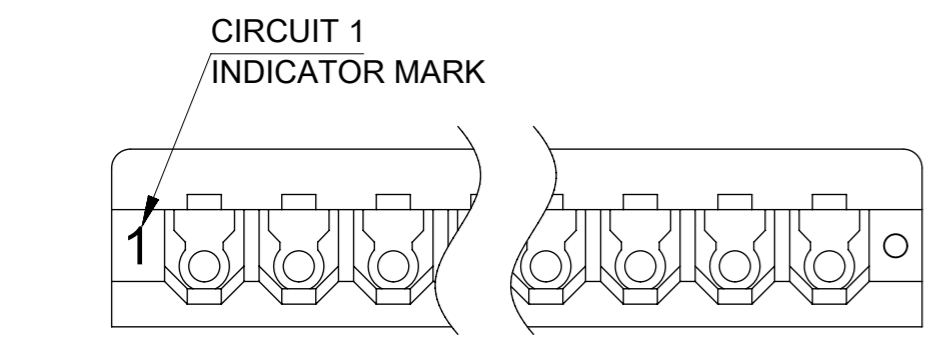
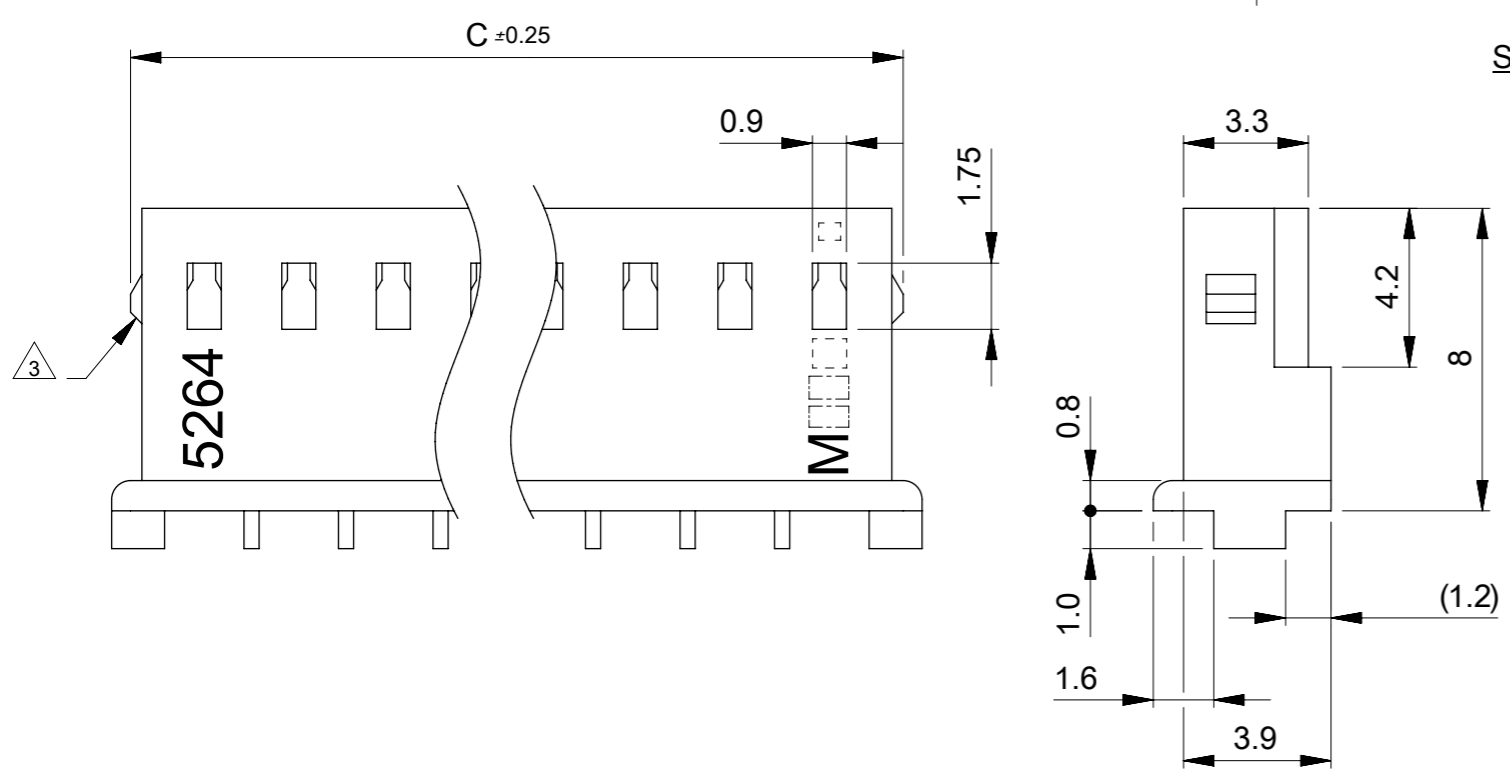
[多部分产品合规性声明](#)



注記:
NOTES:

- △1 材質: TABLE 1参照
MATERIAL: SEE TABLE 1
- △2 製品仕様書、適用嵌合相手、適用端子はSHEET 2をご参照ください。
PLEASE REFER TO SHEET 2 FOR PRODUCT SPECIFICATION, MATE WITH AND APPLICABLE TERMINAL.
- △3 9極以上: ロックなし
MORE THAN 9 CIRCUIT: NO LOCKS
- △4 オーダー番号: ORDER NO.
50375**3

極数
CIRCUIT SIZE



—	35	38.3	ポリ袋 POLY BAG	5264N	526415	50375153	15		
—	32.5	35.8			526414	50375143	14		
—	30	33.3			526413	50375133	13		
—	27.5	30.8			526412	50375123	12		
—	25	28.3			526411	50375113	11		
—	22.5	25.8			526410	50375103	10		
—	20	23.3			526409	50375093	9		
21.4	17.5	20.8			526408	50375083	8		
18.9	15	18.3			526407	50375073	7		
16.4	12.5	15.8			526406	50375063	6		
13.9	10	13.3			526405	50375053	5		
11.4	7.5	10.8			526404	50375043	4		
8.9	5	8.3			526403	50375033	3		
6.4	2.5	5.8			526402	50375023	2		
C	B	A			梱包形態 PACKAGING	シリーズ番号 SERIES NO.	ENG. NO.	△4 オーダー番号 ORDER NO.	極数 CIRCUIT SIZE

△1 TABLE 1

部品 PART	材質 MATERIAL
ハウジング HOUSING	ポリアミド(PA), UL94V-0, 色: ナチュラル(アイボリー) POLYAMIDE(PA): UL94V-0, COLOR: NATURAL (IVORY)

THIS DRAWING CONTAINS INFORMATION THAT IS PROPRIETARY TO MOLEX ELECTRONIC TECHNOLOGIES, LLC AND SHOULD NOT BE USED WITHOUT WRITTEN PERMISSION

CURRENT REV DESC: MIGRATED

molex

MINI-SPOX 2.5 W/B RECEPTACLE HOUSING

PRODUCT CUSTOMER DRAWING

EC NO: 636780
DRWN: SUDAYGUNAGI 2019/06/21
CHK'D: SAKIYAMA 2020/05/13
APPR: KOMURAKAMI 2020/05/13

INITIAL REVISION:
DRWN: SUDAYGUNAGI 2019/06/21
APPR: KOMURAKAMI 2020/05/13

DOCUMENT NUMBER: 52640001-SD
DOC TYPE: PSD
DOC PART: 000
REVISION: A

DRAFT WHERE APPLICABLE MUST REMAIN WITHIN DIMENSIONS

THIRD ANGLE PROJECTION

DRAWING: A3-SIZE
SERIES: 5264
MATERIAL NUMBER: SEE CHART
CUSTOMER: GENERAL
SHEET NUMBER: 1 OF 2

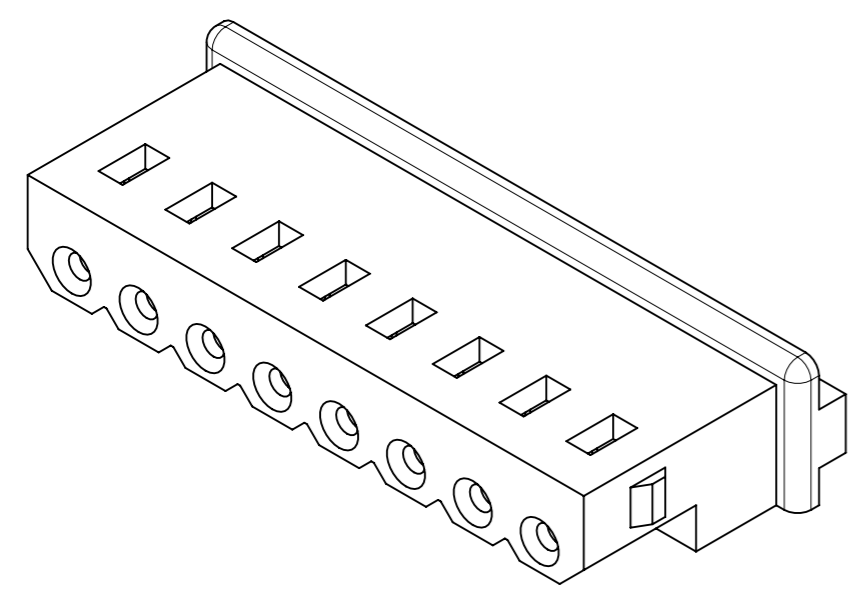
△ 適用製品及び各種仕様書

APPLICABLE PRODUCTS AND VARIOUS SPECIFICATIONS

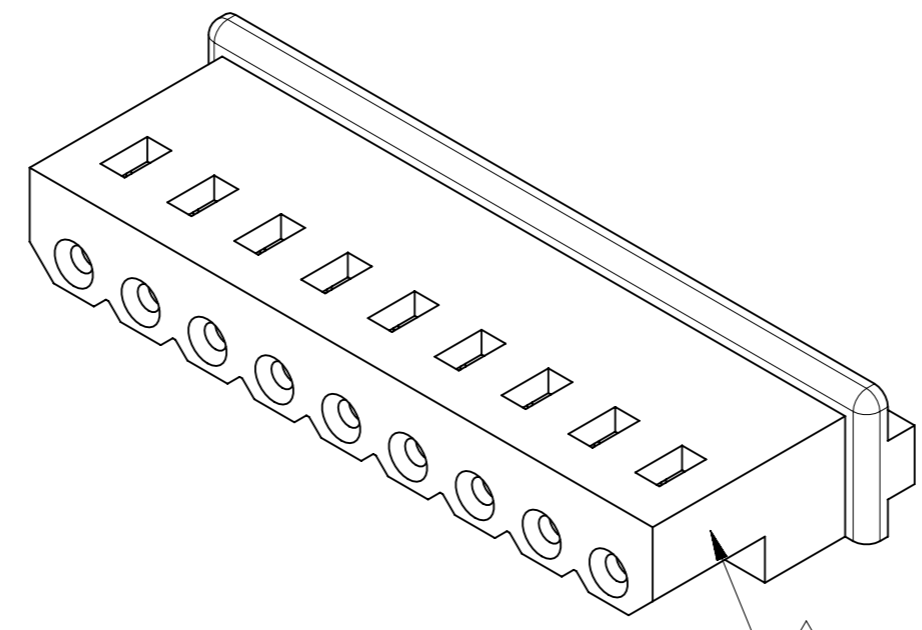
梱包仕様書 PACKAGING SPECIFICATION	ORDER NO.	SPECIFICATION NO.	
	50375**3	SPK-5264-001	
適用端子 APPLICABLE TERMINAL	SERIES NO.	PLATING TYPE	WIRE SIZE
	5263PBT, 5263PBTB	TIN	#22-#28
嵌合相手 MATE WITH	VERTICAL		RIGHT ANGLE
シリーズ番号 SERIES NO.	5267NA, 5267NAX		5268NA
製品仕様書 PRODUCT SPECIFICATION	PS-5264-001 PS 001		

製品嵌合図は各"嵌合相手"図面を参照のこと
MATING VIEW : REFER TO "MATE WITH" PART DRAWING

製品形状
PRODUCT SHAPE



2-8極
2-8 CIRCUIT



9-15極
9-15 CIRCUIT

THIS DRAWING CONTAINS INFORMATION THAT IS PROPRIETARY TO MOLEX ELECTRONIC TECHNOLOGIES, LLC AND SHOULD NOT BE USED WITHOUT WRITTEN PERMISSION		CURRENT REV DESC: MIGRATED		molex	
DIMENSION UNITS	SCALE				
mm	NTS			MINI-SPOX 2.5 W/B RECEPTACLE HOUSING	
GENERAL TOLERANCES (UNLESS SPECIFIED)				PRODUCT CUSTOMER DRAWING	
ANGULAR TOL	± 3.0 °			DOCUMENT NUMBER	
4 PLACES	±	EC NO: 636780	2019/06/21	52640001-SD	
3 PLACES	±	DRWN: SUDAYGUNAGI	2020/05/13	DOC TYPE	DOC PART
2 PLACES	± 0.2	CHK'D: SAKIYAMA	2020/05/13	PSD	000
1 PLACE	± 0.2	APPR: KOMURAKAMI	2020/05/13	REVISION	
0 PLACES	±	INITIAL REVISION:		A	
DRAFT WHERE APPLICABLE MUST REMAIN WITHIN DIMENSIONS		DRWN: SUDAYGUNAGI	2019/06/21	SHEET NUMBER	
		APPR: KOMURAKAMI	2020/05/13	SEE SHEET 1	2 OF 2
THIRD ANGLE PROJECTION		DRAWING	SERIES	CUSTOMER	
		A3-SIZE	5264	GENERAL	

- Eu RoHS
- REACH SVHC
- Low-Halogen

多部分行业合规性文件

- IPC 1752A Class C
- IPC 1752A Class D
- Molex Product Compliance Declaration
- IEC-62474
- chemSHERPA (xml)

欧盟 RoHS 合格证书

产品详情

常规

状态	活动
类别	Connector Housings
系列	5264
说明	2.50mm Pitch, Mini-SPOX Receptacle Crimp Housing, Single Row, 12 Circuits, Natural
应用	Signal, Wire-to-Board
产品系列	Mini-SPOX Wire-to-Board Connector System
产品名称	Mini-SPOX
UPC	800753578265

机构

UL	E29179
----	--------

物理

电路数（最多）	12
颜色-树脂	Natural
阻燃性	94V-0
性别	Receptacle
符合灼热丝规范	否
锁定插接部位	否
材料 - 树脂	Nylon
净重	647.400/mg

行数	1
包装形式	Bag
面板安装式	否
间距 - 插配接口	2.50mm
有极性的插配件	是
可堆叠的	否
运行温度范围	-55° to +105° C

可配插/可连接使用的产品

可配插部件

描述	产品编号
Mini-SPOX Vertical Single Row Headers	<u>5267</u>
Mini-SPOX Right-Angle Single Row Headers	<u>5268</u>

可连接使用部件

描述	产品编号
Mini-SPOX Female Crimp Terminals	<u>5263</u>