



产品编号：[50375143](#)

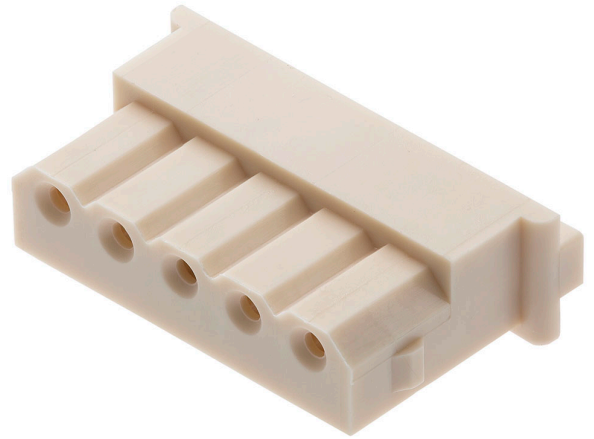
Product Description：2.50mm Pitch, Mini-SPOX Receptacle Crimp Housing, Single Row, 14 Circuits, Natural

系列号：5264

状态：Active

Product Category：Connector Housings

工程编号：5264-14



文件和资源

图纸

[图纸 050375143_sd.pdf](#)

3D 模型和设计文件

[2D 图纸 DXF 050375143.dxf](#)

[2D 图纸 DXF PDF 050375143.pdf](#)

[3D模型 050375143_stp.zip](#)

规格


[包装规格 SPK-5264-001-001.pdf](#)

[产品规格 52641001-PS-000.pdf](#)

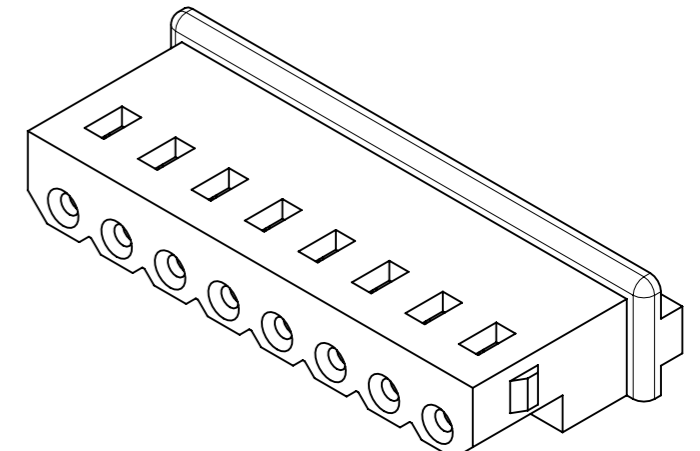
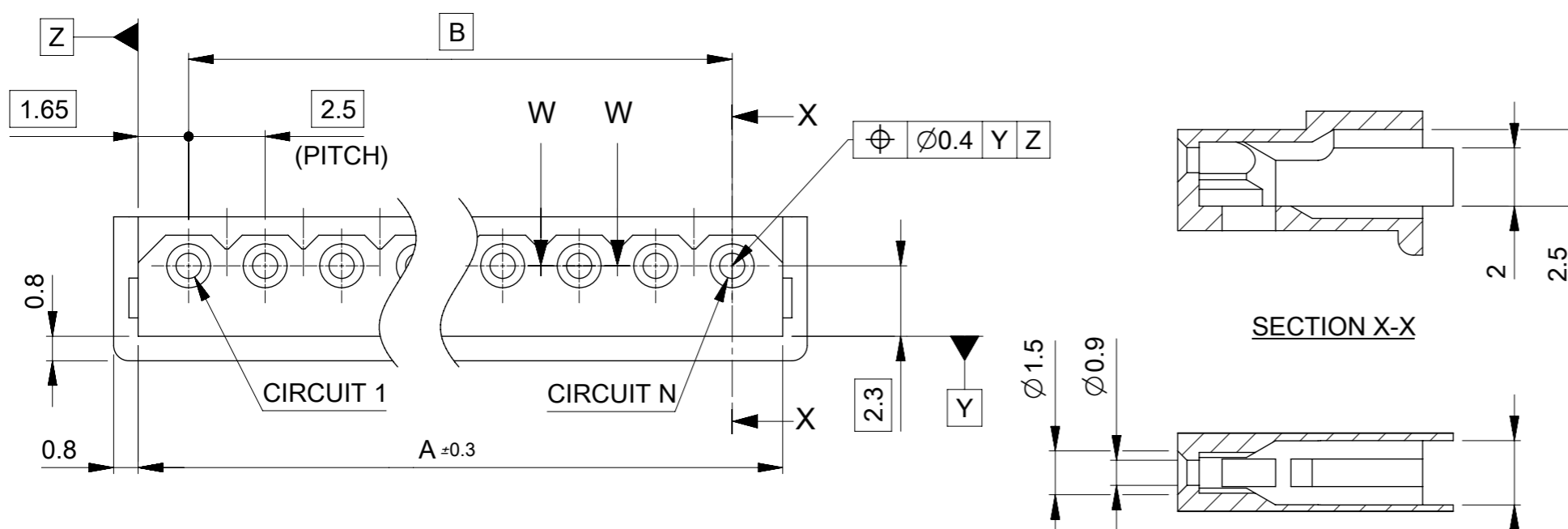
[产品规格 PS-5264-001-001.pdf](#)

产物环境合规

合规

| | |
|--------------------|---|
| GADSL/IMDS | Not Relevant |
| China RoHS |  |
| EU ELV | Not Relevant |
| Low-Halogen Status | Low-Halogen per IEC 61249-2-21 |
| REACH SVHC | Not Contained per D(2023)3788-DC (14 Jun 2023) |
| EU RoHS | Compliant per EU 2015/863 |

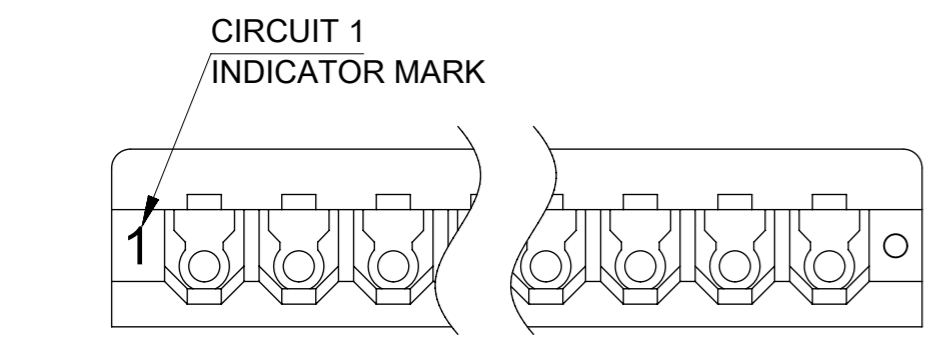
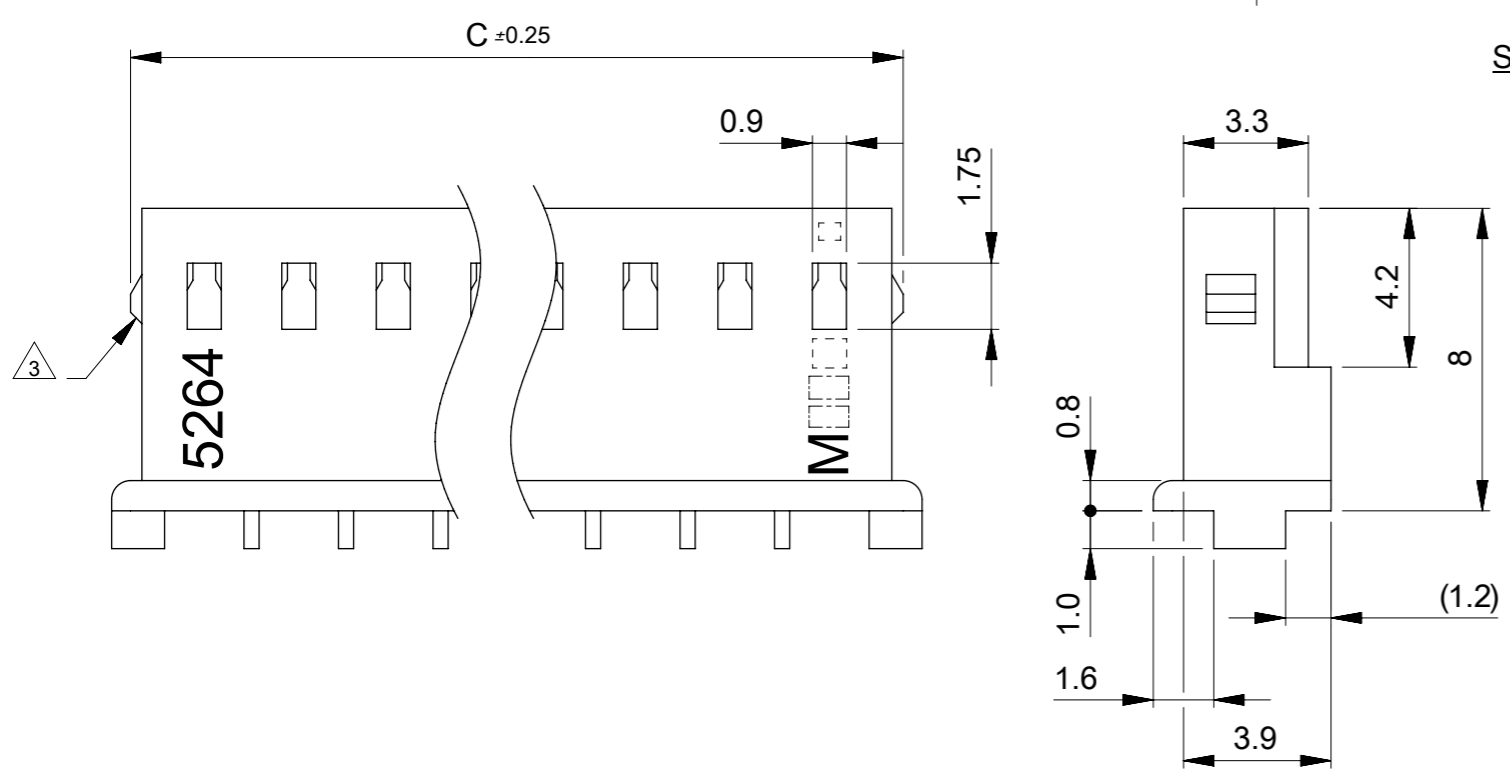
[多部分产品合规性声明](#)



注記:
NOTES:

- △1 材質: TABLE 1参照
MATERIAL: SEE TABLE 1
- △2 製品仕様書、適用嵌合相手、適用端子はSHEET 2をご参照ください。
PLEASE REFER TO SHEET 2 FOR PRODUCT SPECIFICATION, MATE WITH AND APPLICABLE TERMINAL.
- △3 9極以上: ロックなし
MORE THAN 9 CIRCUIT: NO LOCKS
- △4 オーダー番号: ORDER NO.
50375**3

極数
CIRCUIT SIZE



| | | | | | | | | | |
|------|------|------|-----------------|-------|-------------------|----------------------|----------|------------------------|--------------------|
| — | 35 | 38.3 | ポリ袋 POLY BAG | 5264N | 526415 | 50375153 | 15 | | |
| — | 32.5 | 35.8 | | | 526414 | 50375143 | 14 | | |
| — | 30 | 33.3 | | | 526413 | 50375133 | 13 | | |
| — | 27.5 | 30.8 | | | 526412 | 50375123 | 12 | | |
| — | 25 | 28.3 | | | 526411 | 50375113 | 11 | | |
| — | 22.5 | 25.8 | | | 526410 | 50375103 | 10 | | |
| — | 20 | 23.3 | | | 526409 | 50375093 | 9 | | |
| 21.4 | 17.5 | 20.8 | | | 526408 | 50375083 | 8 | | |
| 18.9 | 15 | 18.3 | | | 526407 | 50375073 | 7 | | |
| 16.4 | 12.5 | 15.8 | | | 526406 | 50375063 | 6 | | |
| 13.9 | 10 | 13.3 | | | 526405 | 50375053 | 5 | | |
| 11.4 | 7.5 | 10.8 | | | 526404 | 50375043 | 4 | | |
| 8.9 | 5 | 8.3 | | | 526403 | 50375033 | 3 | | |
| 6.4 | 2.5 | 5.8 | | | 526402 | 50375023 | 2 | | |
| C | B | A | | | 梱包形態 PACKAGING | シリーズ番号 SERIES NO. | ENG. NO. | △4 オーダー番号 ORDER NO. | 極数 CIRCUIT SIZE |

△1 TABLE 1

| 部品 PART | 材質 MATERIAL |
|------------------|---|
| ハウジング HOUSING | ポリアミド(PA), UL94V-0, 色: ナチュラル(アイボリー) POLYAMIDE(PA): UL94V-0, COLOR: NATURAL (IVORY) |

THIS DRAWING CONTAINS INFORMATION THAT IS PROPRIETARY TO MOLEX ELECTRONIC TECHNOLOGIES, LLC AND SHOULD NOT BE USED WITHOUT WRITTEN PERMISSION

DIMENSION UNITS: mm SCALE: NTS

GENERAL TOLERANCES (UNLESS SPECIFIED): ANGULAR TOL ± 3.0°

4 PLACES ±, 3 PLACES ±, 2 PLACES ± 0.2, 1 PLACE ± 0.2, 0 PLACES ±

DRAFT WHERE APPLICABLE MUST REMAIN WITHIN DIMENSIONS

THIRD ANGLE PROJECTION

DRAWING: A3-SIZE

SERIES: 5264

MATERIAL NUMBER: SEE CHART

CUSTOMER: GENERAL

SHEET NUMBER: 1 OF 2

EC NO: 636780
DRWN: SUDAYGUNAGI 2019/06/21
CHK'D: SAKIYAMA 2020/05/13
APPR: KOMURAKAMI 2020/05/13

INITIAL REVISION:
DRWN: SUDAYGUNAGI 2019/06/21
APPR: KOMURAKAMI 2020/05/13

CURRENT REV DESC: MIGRATED

molex

MINI-SPOX 2.5 W/B RECEPTACLE HOUSING

PRODUCT CUSTOMER DRAWING

DOCUMENT NUMBER: 52640001-SD

DOC TYPE: PSD

DOC PART: 000

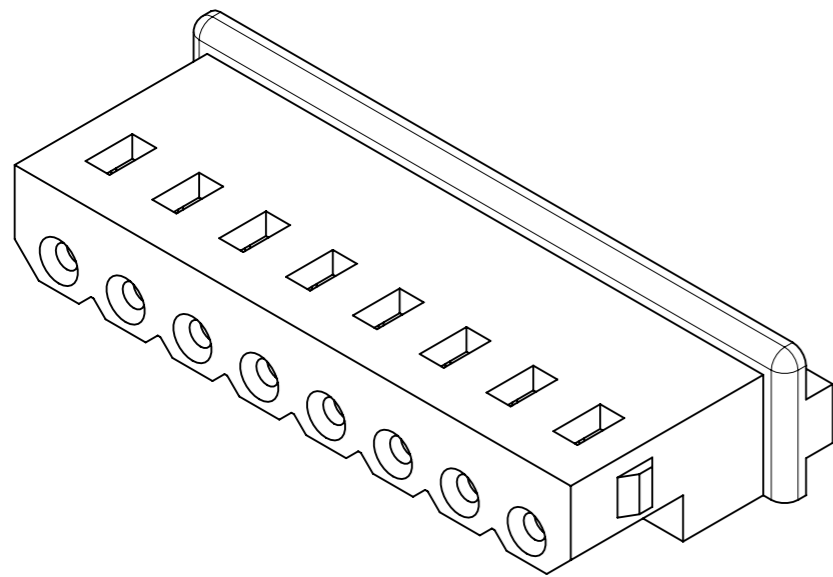
REVISION: A

△ 適用製品及び各種仕様書
 APPLICABLE PRODUCTS AND VARIOUS SPECIFICATIONS

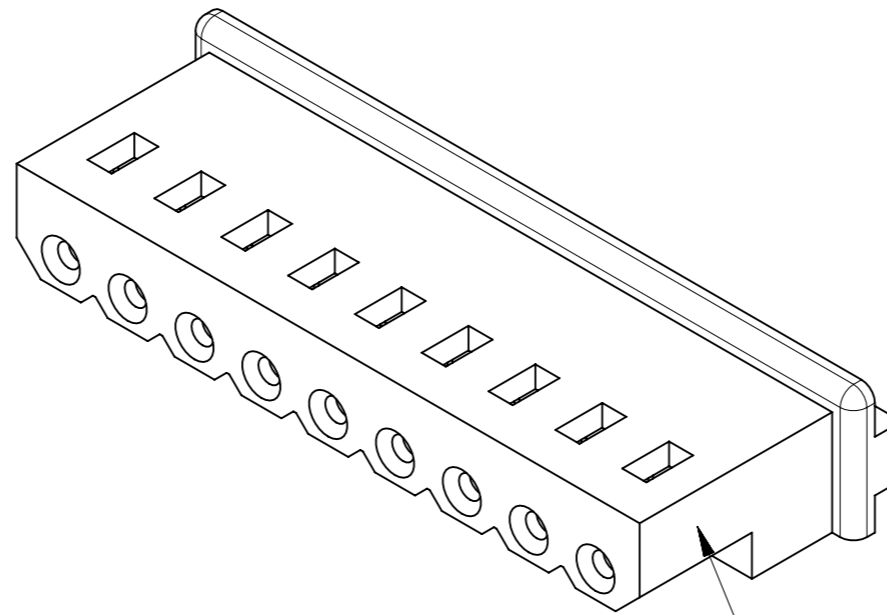
| | | | |
|----------------------------------|--------------------|-------------------|-------------|
| 梱包仕様書 PACKAGING SPECIFICATION | ORDER NO. | SPECIFICATION NO. | |
| | 50375**3 | SPK-5264-001 | |
| 適用端子 APPLICABLE TERMINAL | SERIES NO. | PLATING TYPE | WIRE SIZE |
| | 5263PBT, 5263PBTB | TIN | #22-#28 |
| 嵌合相手 MATE WITH | VERTICAL | | RIGHT ANGLE |
| シリーズ番号 SERIES NO. | 5267NA, 5267NAX | | 5268NA |
| 製品仕様書 PRODUCT SPECIFICATION | PS-5264-001 PS 001 | | |

製品嵌合図は各"嵌合相手"図面を参照のこと
 MATING VIEW : REFER TO "MATE WITH" PART DRAWING

製品形状
 PRODUCT SHAPE



2-8極
 2-8 CIRCUIT



9-15極
 9-15 CIRCUIT

| | | | | | |
|---|---------|----------------------------|------------|--------------------------------------|----------|
| THIS DRAWING CONTAINS INFORMATION THAT IS PROPRIETARY TO MOLEX ELECTRONIC TECHNOLOGIES, LLC AND SHOULD NOT BE USED WITHOUT WRITTEN PERMISSION | | CURRENT REV DESC: MIGRATED | | molex | |
| DIMENSION UNITS | SCALE | | | | |
| mm | NTS | | | MINI-SPOX 2.5 W/B RECEPTACLE HOUSING | |
| GENERAL TOLERANCES (UNLESS SPECIFIED) | | | | PRODUCT CUSTOMER DRAWING | |
| ANGULAR TOL | ± 3.0 ° | | | DOCUMENT NUMBER | |
| 4 PLACES | ± | EC NO: 636780 | 2019/06/21 | 52640001-SD | |
| 3 PLACES | ± | DRWN: SUDAYGUNAGI | 2020/05/13 | DOC TYPE | DOC PART |
| 2 PLACES | ± 0.2 | CHK'D: SAKIYAMA | 2020/05/13 | PSD | 000 |
| 1 PLACE | ± 0.2 | APPR: KOMURAKAMI | 2020/05/13 | REVISION | |
| 0 PLACES | ± | INITIAL REVISION: | | A | |
| DRAFT WHERE APPLICABLE MUST REMAIN WITHIN DIMENSIONS | | DRWN: SUDAYGUNAGI | 2019/06/21 | SHEET NUMBER | |
| | | APPR: KOMURAKAMI | 2020/05/13 | SEE SHEET 1 | 2 OF 2 |
| THIRD ANGLE PROJECTION | | DRAWING | SERIES | CUSTOMER | |
| | | A3-SIZE | 5264 | GENERAL | |

- Eu RoHS
- REACH SVHC
- Low-Halogen

多部分行业合规性文件

- IPC 1752A Class C
- IPC 1752A Class D
- Molex Product Compliance Declaration
- IEC-62474
- chemSHERPA (xml)

欧盟 RoHS 合格证书

产品详情

常规

| | |
|------|--|
| 状态 | 活动 |
| 类别 | Connector Housings |
| 系列 | 5264 |
| 说明 | 2.50mm Pitch, Mini-SPOX Receptacle Crimp Housing, Single Row, 14 Circuits, Natural |
| 应用 | Signal, Wire-to-Board |
| 产品系列 | Mini-SPOX Wire-to-Board Connector System |
| 产品名称 | Mini-SPOX |
| UPC | 800753578289 |

机构

| | |
|----|--------|
| UL | E29179 |
|----|--------|

物理

| | |
|---------|------------|
| 电路数（最多） | 14 |
| 颜色-树脂 | Natural |
| 阻燃性 | 94V-0 |
| 性别 | Receptacle |
| 符合灼热丝规范 | 否 |
| 锁定插接部位 | 否 |
| 材料 - 树脂 | Nylon |
| 净重 | 753.000/mg |

| | |
|-----------|-----------------|
| 行数 | 1 |
| 包装形式 | Bag |
| 面板安装式 | 否 |
| 间距 - 插配接口 | 2.50mm |
| 有极性的插配件 | 是 |
| 可堆叠的 | 否 |
| 运行温度范围 | -55° to +105° C |

可配插/可连接使用的产品

可配插部件

| 描述 | 产品编号 |
|--|-------------|
| Mini-SPOX Vertical Single Row Headers | <u>5267</u> |
| Mini-SPOX Right-Angle Single Row Headers | <u>5268</u> |

可连接使用部件

| 描述 | 产品编号 |
|----------------------------------|-------------|
| Mini-SPOX Female Crimp Terminals | <u>5263</u> |