



产品编号 : 5037630491

系列号 : 503763

Product Category : PCB Headers and Receptacles

Product Description : 1.00mm Pitch, Pico-Lock PCB Header, Single Row, Right-Angle, Surface Mount, Gold over Nickel Plating, Positive Lock, 4 Circuits, Tape and Reel

状态 : Active

文件和资源

图纸

图纸 5037630491_sd.pdf

3D 模型和设计文件

2D 图纸 DXF 5037630491.dxf

2D 图纸 DXF PDF 5037630491.pdf

3D模型 5037630491_stp.zip

规格

应用规格 AS-503764-001-001.pdf


包装规格 SPK-503763-001-001.pdf

产品规格 5037641001-PS-000.pdf

产品规格 PS-503764-001-001.pdf

产物环境合规

合规

GADSL/IMDS	Compliant with Exemption 44; 33; 34
China RoHS	
EU ELV	Not Relevant
Low-Halogen Status	Low-Halogen per IEC 61249-2-21
REACH SVHC	Not Contained per D(2023)8585-DC (23 Jan 2024)
EU RoHS	Compliant per EU 2015/863

多部分产品合规性声明

- Eu RoHS
- REACH SVHC
- Low-Halogen

- IPC 1752A Class C
- IPC 1752A Class D
- Molex Product Compliance Declaration
- IEC-62474
- chemSHERPA (xml)

欧盟 RoHS 合格证书

产品详情

常规

状态	活动
类别	PCB Headers and Receptacles
系列	503763
说明	1.00mm Pitch, Pico-Lock PCB Header, Single Row, Right-Angle, Surface Mount, Gold over Nickel Plating, Positive Lock, 4 Circuits, Tape and Reel
应用	Signal, Wire-to-Board
元件类型	PCB Header
产品系列	Pico-Lock Connector System
产品名称	Pico-Lock
UPC	887191353838

机构

UL	E29179
----	--------

电气

每触点最大电流	1.5A
电压 - 最大	150V AC (RMS)/DC

物理

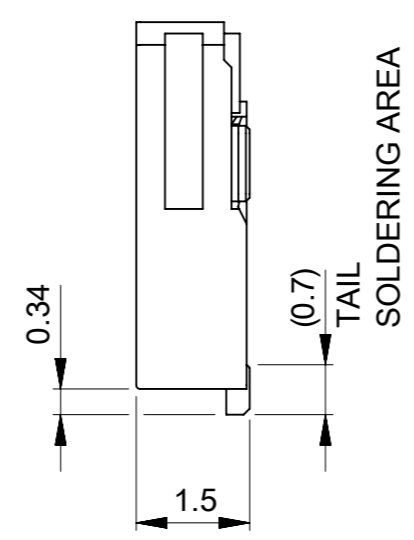
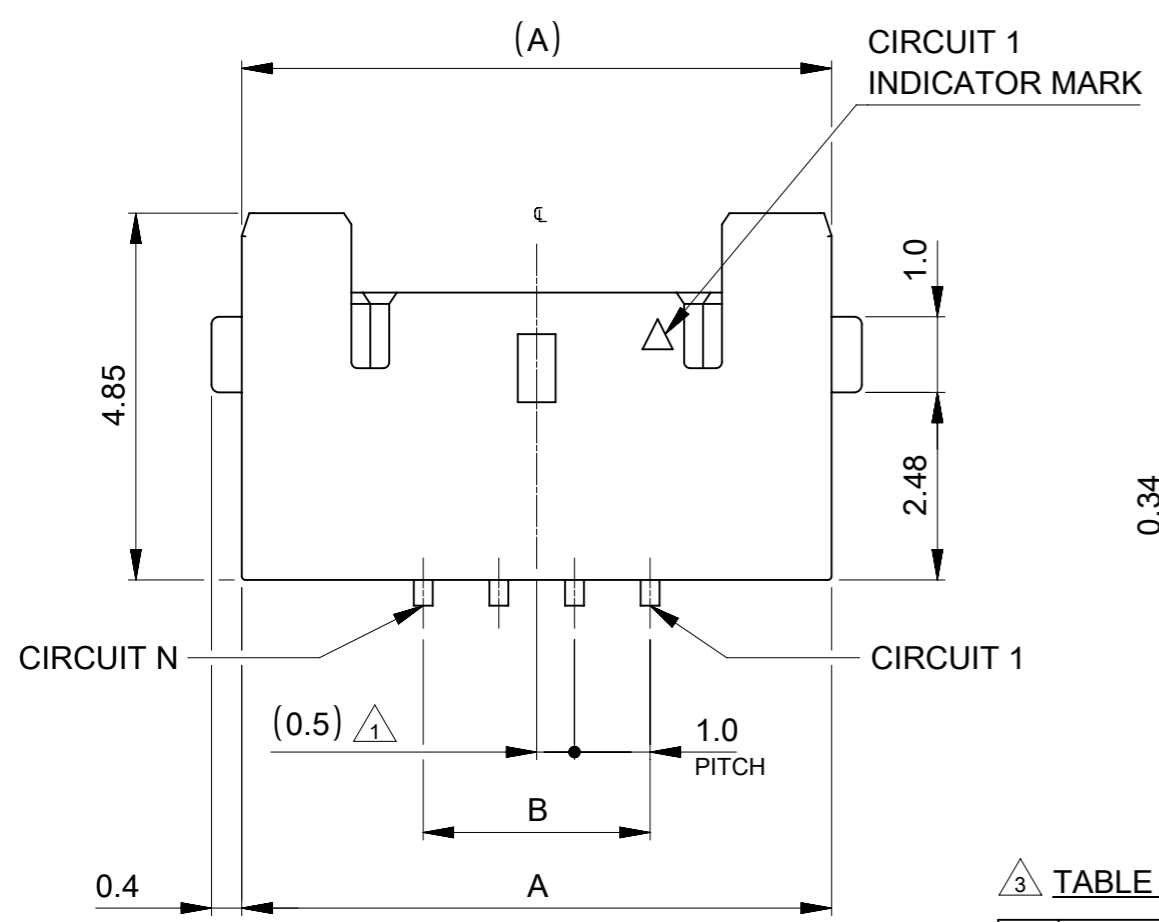
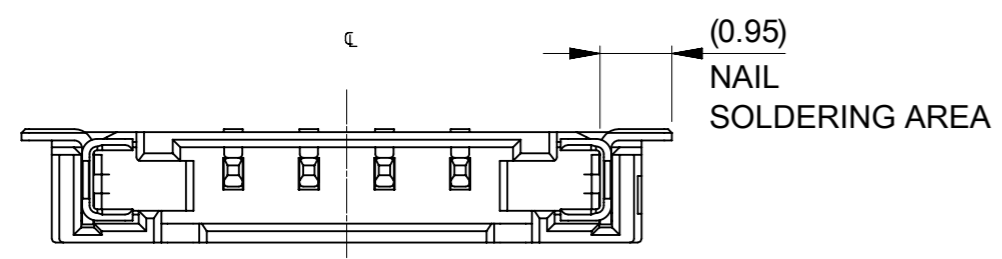
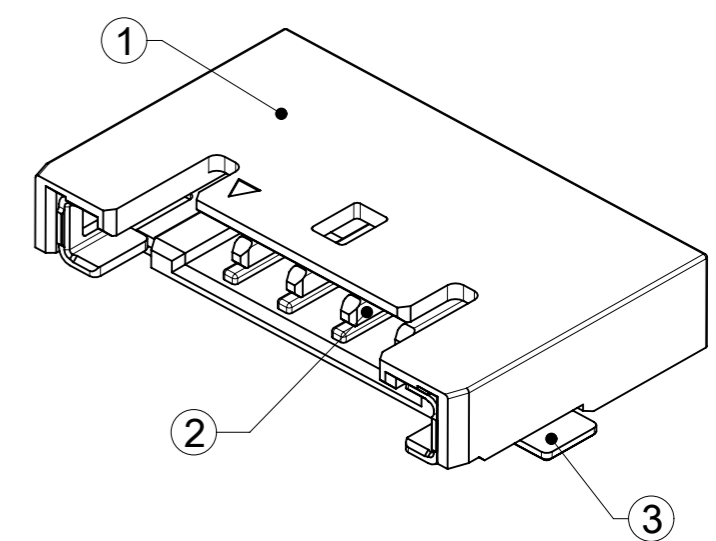
断开	否
回路数 (已载入)	4
电路数 (最多)	4
颜色-树脂	黑色
耐用性(插拔次数) - 最多次数	30
先接后断	否

阻燃性	SC-0
符合灼热丝规范	否
可配插产品指南	否
插接极性	不适用
锁定插接部位	是
插配长度	1.50mm
材料 - 金属	Copper Alloy
材料 - 接合部位电镀	金牌
材料 - 树脂	High Temperature Thermoplastic
净重	76.240/mg
行数	1
方向	Right Angle
包装形式	Embossed Tape on Reel
间距 - 插配接口	1.00mm
间距 - 终端界面	1.00mm
最薄镀层 - 接合部位	0.100µm
有极性的插配件	是
有护墙的	是
可堆叠的	否
运行温度范围	-40° to +105° C
终端界面类型	Surface Mount

可配插/可连接使用的产品

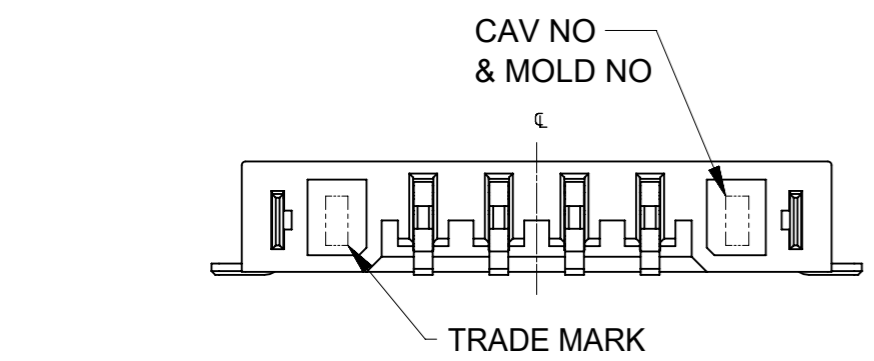
可配插部件

描述	产品编号
1.00mm Pitch, Pico-Lock Single Row Receptacle Housings	<u>503764</u>
Pico-Lock-to-Pico-Lock Off-the-Shelf (OTS) Cable Assemblies	<u>15131</u>



NOTES

- ① 偶数極の製品に適用
APPLY TO EVEN CIRCUIT PRODUCTS.
- ② 適用製品及び各種仕様書はSHEET 4を参照のこと
REFER TO SHEET 4 ABOUT APPLICABLE PRODUCTS AND VARIOUS SPECIFICATIONS
- ③ ELV及びRoHS適合品
ELV AND RoHS COMPLIANT.
- ④ パターン禁止エリア
PATTERN PROHIBITION AREA
- ⑤ ソルダーテールとネイルの平坦度 : 0.1 mmMAX
SOLDER TAIL AND FITTING NAIL COPLANARITY : 0.1 mmMAX



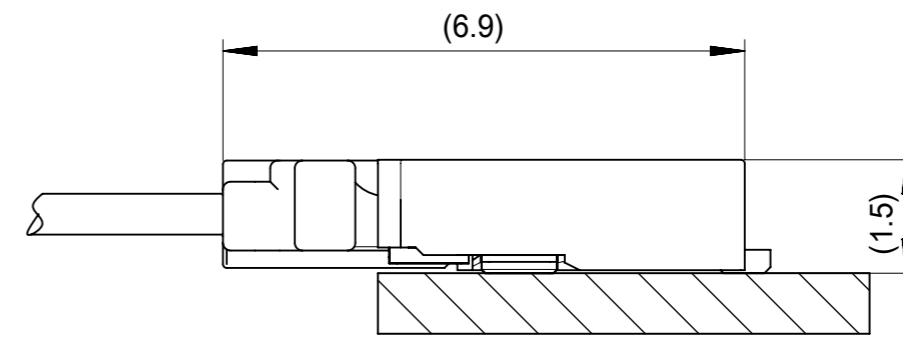
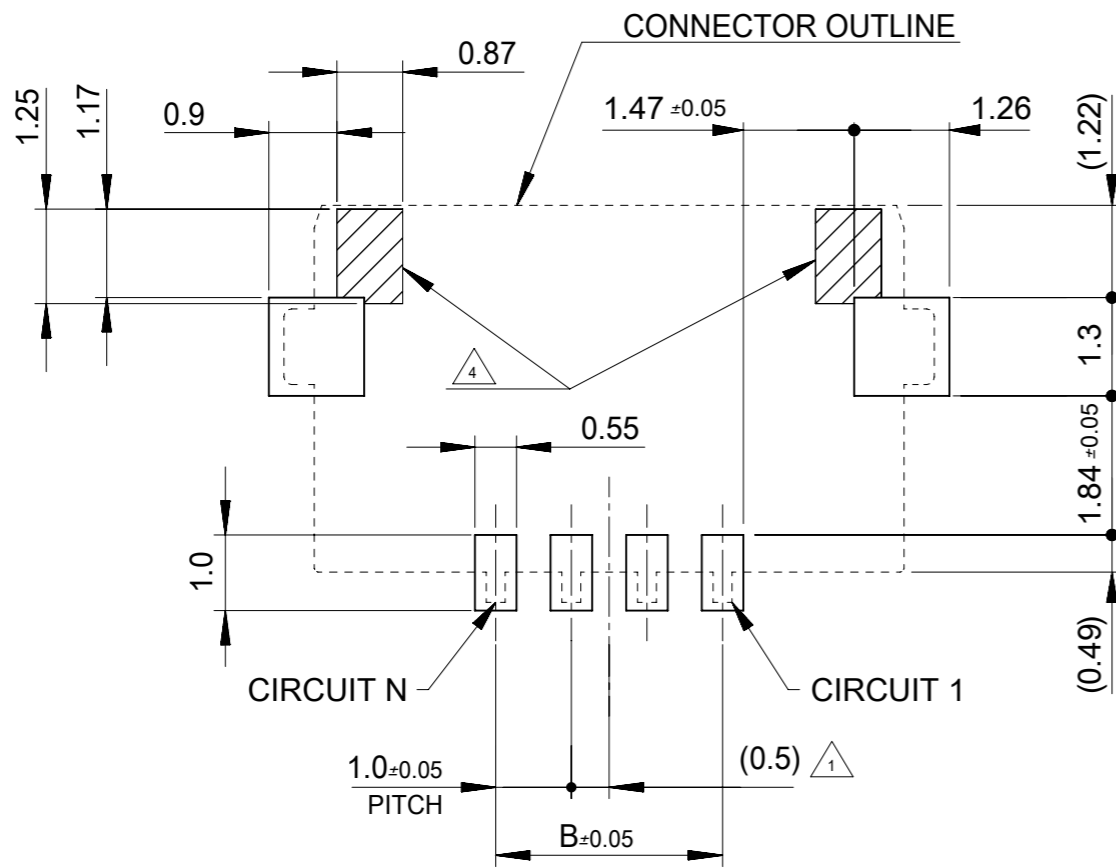
③ TABLE 1

部品 PART	材質 MATERIAL
① ハウジング HOUSING	ポリアミド(PA), UL94V-0, 色 : 黒 POLYAMIDE(PA), UL94V-0, COLOR : BLACK
② ターミナル TERMINAL	銅合金 COPPER ALLOY
	コンタクト部 : 金めっき 0.1 micro-meters MIN CONTACT AREA: GOLD PLATING 0.1 micro-meters MIN はんだ付け部 : 金めっき TAIL AREA: GOLD PLATING
	ニッケルめっき(下地) 1.0 micro-meter MIN NICKEL PLATING (UNDER PLATING) 1.0 micro-meter MIN
③ ネイル NAIL	黄銅 BRASS
	錫めっき 1.0 micro-meter MIN MATTE TIN PLATING 1.0 micro-meter MIN
	ニッケルめっき(下地) 1.0 micro-meter MIN NICKEL PLATING (UNDER PLATING) 1.0 micro-meter MIN

5.0	9.8	6
4.0	8.8	5
3.0	7.8	4
2.0	6.8	3
1.0	5.8	2
B	A	CIRCUIT

THIS DRAWING CONTAINS INFORMATION THAT IS PROPRIETARY TO MOLEX ELECTRONIC TECHNOLOGIES, LLC AND SHOULD NOT BE USED WITHOUT WRITTEN PERMISSION

DIMENSION UNITS	SCALE	CURRENT REV DESC:	molex		
mm	NTS				
GENERAL TOLERANCES (UNLESS SPECIFIED)			PICO-LOCK1.0 HDRASSY SINGLE-ROW R/A PRODUCT CUSTOMER DRAWING		
ANGULAR TOL	± 3.0 °	EC NO: 642004			
4 PLACES	± 0.2	DRWN: QHE31 2020/07/22			
3 PLACES	± 0.2	CHK'D: SAKIYAMA 2020/07/27			
2 PLACES	± 0.2	APPR: KOMURAKAMI 2020/07/29			
1 PLACE	± 0.2	INITIAL REVISION:	DOCUMENT NUMBER		
0 PLACES	± 0.2	DRWN: QHE31 2018/03/14	5037630000-SD		
DRAFT WHERE APPLICABLE MUST REMAIN WITHIN DIMENSIONS			THIRD ANGLE PROJECTION	DRAWING	SERIES
			⊕	A3-SIZE	503763
			MATERIAL NUMBER		CUSTOMER
			SEE CHART OF SHEET 1		PSD 000 B
			SHEET NUMBER		1 OF 4

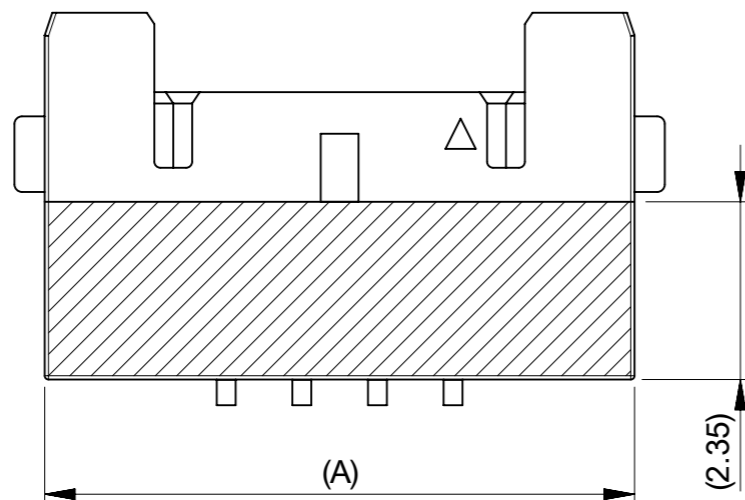


MATED CONNECTORS

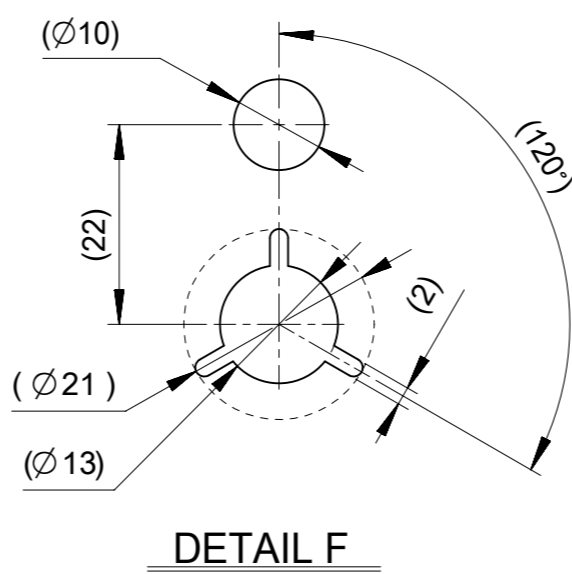
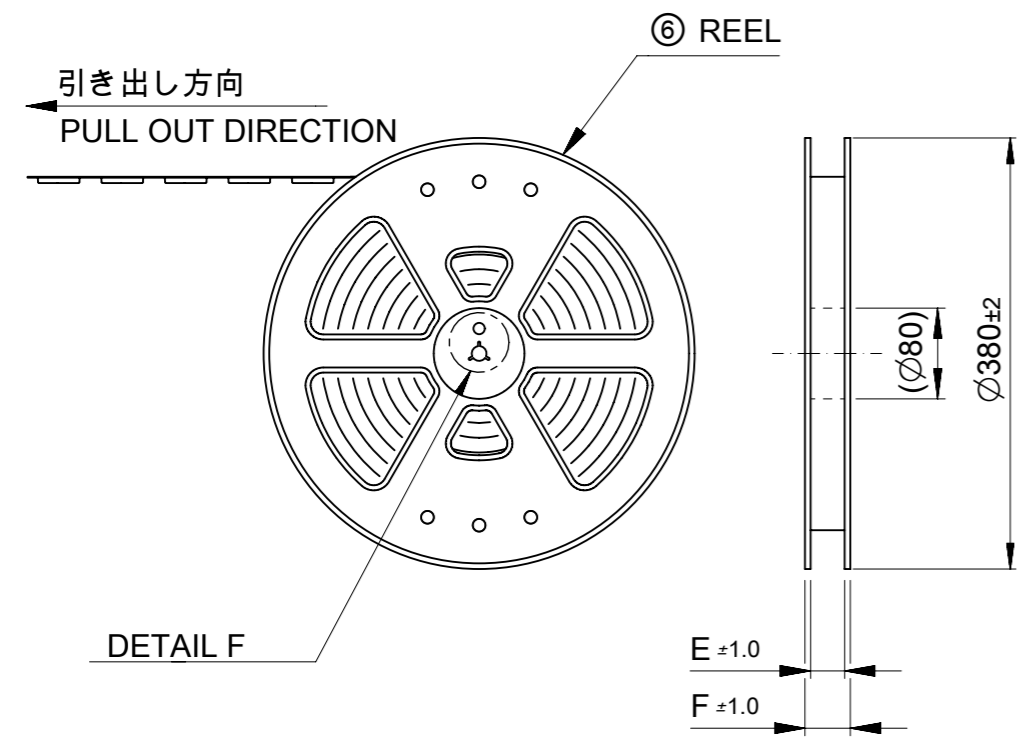
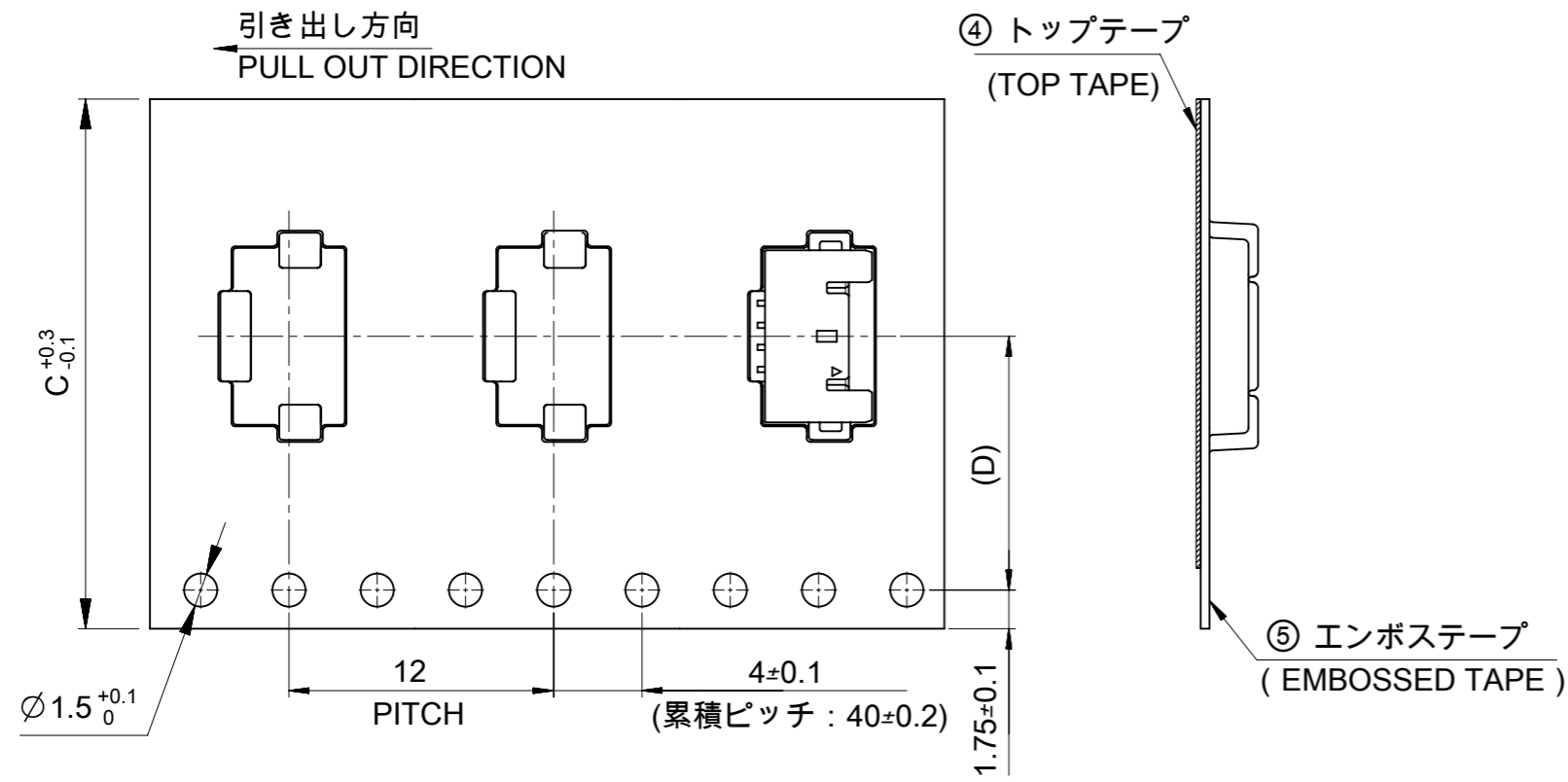
RECOMMENDED PATTERN LAYOUT (REF)

推奨メタルマスク厚さ:0.1mm、開口率:100%
 RECOMMEND METAL STENCIL THICKNESS: 0.1mm, APERTURE RATIO: 100%

吸着エリア
 PICK-UP AREA



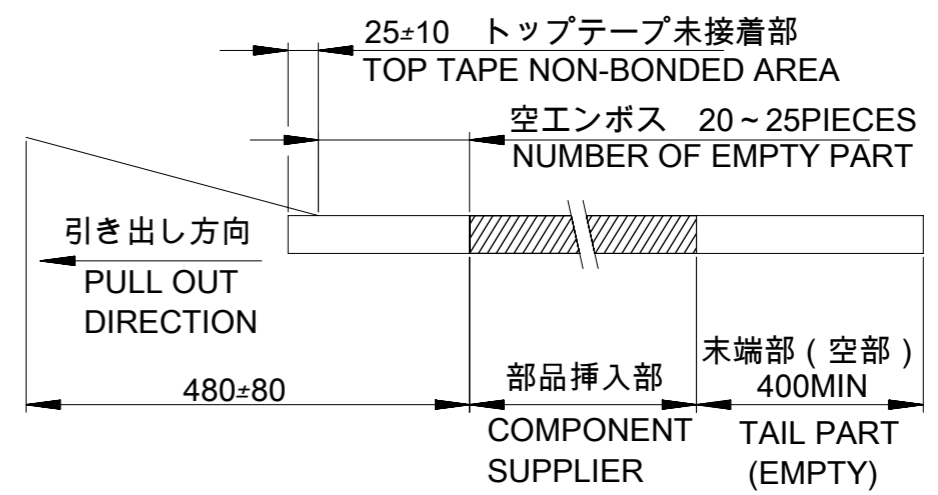
THIS DRAWING CONTAINS INFORMATION THAT IS PROPRIETARY TO MOLEX ELECTRONIC TECHNOLOGIES, LLC AND SHOULD NOT BE USED WITHOUT WRITTEN PERMISSION		CURRENT REV DESC:		molex	
DIMENSION UNITS	SCALE				
mm	NTS			PICO-LOCK1.0 HDRASSY SINGLE-ROW R/A	
GENERAL TOLERANCES (UNLESS SPECIFIED)		EC NO: 642004		PRODUCT CUSTOMER DRAWING	
ANGULAR TOL	± 3.0 °	DRWN: QHE31	2020/07/22	DOCUMENT NUMBER	
4 PLACES	± 0.2	CHK'D: SAKIYAMA	2020/07/27	5037630000-SD	
3 PLACES	± 0.2	APPR: KOMURAKAMI	2020/07/29	DOC TYPE	DOC PART
2 PLACES	± 0.2	INITIAL REVISION:		PSD	000
1 PLACE	± 0.2	DRWN: QHE31	2018/03/14	REVISION	
0 PLACES	± 0.2	APPR: KOMURAKAMI	2020/07/07	B	
DRAFT WHERE APPLICABLE MUST REMAIN WITHIN DIMENSIONS		THIRD ANGLE PROJECTION	DRAWING	SERIES	MATERIAL NUMBER
			A3-SIZE	503763	CUSTOMER
				SEE CHART OF SHEET 1	SHEET NUMBER
				2 OF 4	



NOTES

1. 梱包数量: 3,000個/リール
NUMBER OF CONNECTORS : 3,000 PIECES/REEL

2. リードテープ長さ
LEAD TAPE LENGTH



3. トップテープの剥離強度IEC60286-3に準拠。
TOP TAPE PEEL FORCE IS DEFINED BY IEC60286-3

4. 材料
MATERIALS

部品 PART	材質 MATERIAL
④ エンボステープ EMBOSSED TAPE	ポリスチレン(PS) POLYSTYRENE(PS)
⑤ トップテープ TOP TAPE	ポリエチレン(PE)、ポリエチレンテレフタレート(PET) POLYETHYLENE(PE), POLYETHYLENE TEREPHTHALATE(PET)
⑥ リール REEL	ポリスチレン(PS) <リサイクル材を含む> POLYSTYRENE(PS) <RECYCLE MATERIAL CONTAINED>

29.4	25.4	11.5	24	5037630691	6
				5037630591	5
				5037630491	4
21.4	17.4	7.5	16	5037630391	3
				5037630291	2
F	E	D	C	EMBOSSED PACKAGE	CIRCUIT
WIDTH OF TAPE				ORDER NO.	

THIS DRAWING CONTAINS INFORMATION THAT IS PROPRIETARY TO MOLEX ELECTRONIC TECHNOLOGIES, LLC AND SHOULD NOT BE USED WITHOUT WRITTEN PERMISSION

DIMENSION UNITS mm	SCALE NTS	CURRENT REV DESC:	molex		
GENERAL TOLERANCES (UNLESS SPECIFIED)	ANGULAR TOL ± 3.0°	EC NO: 642004			
4 PLACES ± 0.2	DRWN: QHE31	2020/07/22	PICO-LOCK1.0 HDRASSY SINGLE-ROW R/A		
3 PLACES ± 0.2	CHK'D: SAKIYAMA	2020/07/27	PRODUCT CUSTOMER DRAWING		
2 PLACES ± 0.2	APPR: KOMURAKAMI	2020/07/29	DOCUMENT NUMBER		
1 PLACE ± 0.2	INITIAL REVISION:		DOC TYPE DOC PART REVISION		
0 PLACES ± 0.2	DRWN: QHE31	2018/03/14	5037630000-SD		
	APPR: KOMURAKAMI	2020/07/07	PSD 000 B		
DRAFT WHERE APPLICABLE MUST REMAIN WITHIN DIMENSIONS	THIRD ANGLE PROJECTION	DRAWING	SERIES	MATERIAL NUMBER	CUSTOMER
		A3-SIZE	503763	SEE CHART OF SHEET 1	SHEET NUMBER
					3 OF 4

△ 適用製品及び各種仕様書
 APPLICABLE PRODUCTS AND VARIOUS SPECIFICATIONS

梱包仕様書 PACKAGING SPECIFICATION	PART NUMBER 503763****	DOCUMENT NUMBER SPK-503763-001
----------------------------------	---------------------------	-----------------------------------

適合嵌合相手 MATE WITH	HOUSING	CRIMP TERMINAL (GOLD PLATING)
製品番号 PRODUCT NUMBER	503764****	#28 - #30 5037650098
製品仕様書 PRODUCT SPECIFICATION	PS-503764-001	
アプリケーション仕様書 APPLICATION SPECIFICATION	AS-503764-001	

THIS DRAWING CONTAINS INFORMATION THAT IS PROPRIETARY TO MOLEX ELECTRONIC TECHNOLOGIES, LLC AND SHOULD NOT BE USED WITHOUT WRITTEN PERMISSION											
DIMENSION UNITS	SCALE	CURRENT REV DESC:					molex				
mm	NTS										
GENERAL TOLERANCES (UNLESS SPECIFIED)		EC NO: 642004 DRWN: QHE31 2020/07/22 CHK'D: SAKIYAMA 2020/07/27 APPR: KOMURAKAMI 2020/07/29 INITIAL REVISION: DRWN: QHE31 2018/03/14 APPR: KOMURAKAMI 2020/07/07					PICO-LOCK1.0 HDRASSY SINGLE-ROW R/A				
ANGULAR TOL ± 3.0 °							PRODUCT CUSTOMER DRAWING				
4 PLACES ± 0.2							DOCUMENT NUMBER		DOC TYPE	DOC PART	REVISION
3 PLACES ± 0.2							5037630000-SD		PSD	000	B
2 PLACES ± 0.2							MATERIAL NUMBER		CUSTOMER		SHEET NUMBER
1 PLACE ± 0.2							503763				4 OF 4
0 PLACES ± 0.2											
DRAFT WHERE APPLICABLE MUST REMAIN WITHIN DIMENSIONS		THIRD ANGLE PROJECTION	DRAWING	SERIES							
			A3-SIZE	503763							

DOCUMENT STATUS	P1	RELEASE DATE	2020/07/29	03:01:55
-----------------	----	--------------	------------	----------