

产品编号 : 5037640401

**Product Description** : 1.00mm Pitch, Pico-Lock Receptacle Crimp Housing, Single Row, Positive Lock, 4 Circuits, Black

系列号 : 503764

**状态** : Active

**Product Category** : Connector Housings

---

## 文件和资源

### 图纸

图纸 5037640401\_sd.pdf

### 3D 模型和设计文件

2D 图纸 DXF 5037640401.dxf

2D 图纸 DXF PDF 5037640401.pdf

3D模型 5037640401\_stp.zip

### 规格

应用规格 AS-503764-001-001.pdf

包装规格 SPK-503764-001-001.pdf

产品规格 5037640000-PS-000.pdf


产品规格 5037641001-PS-000.pdf

产品规格 PS-503764-001-001.pdf

---

## 产物环境合规

### 合规

GADSL/IMDS	Not Relevant
China RoHS	
EU ELV	Compliant per 2000/53/EC
Low-Halogen Status	Low-Halogen per IEC 61249-2-21
REACH SVHC	Not Contained per D(2023)8585-DC (23 Jan 2024)
EU RoHS	Compliant per EU 2015/863

### 多部分产品合规性声明

- Eu RoHS

- REACH SVHC

- Low-Halogen

- IPC 1752A Class C

- IPC 1752A Class D
- Molex Product Compliance Declaration
- IEC-62474
- chemSHERPA (xml)

欧盟 RoHS 合格证书

## 产品详情

### 常规

状态	活动
类别	Connector Housings
系列	503764
说明	1.00mm Pitch, Pico-Lock Receptacle Crimp Housing, Single Row, Positive Lock, 4 Circuits, Black
应用	Signal, Wire-to-Board
个评论	See Molex product specification PS-503764-001 for additional current de-rating information
产品系列	Pico-Lock Connector System
产品名称	Pico-Lock
UPC	887191353814

### 机构

UL	E29179
----	--------

### 物理

电路数（最多）	4
颜色-树脂	黑色
阻燃性	SC-0
性别	Receptacle
符合灼热丝规范	否
插接极性	无
锁定插接部位	是
材料 - 树脂	High Temperature Thermoplastic
净重	31.000/mg
行数	1

包装形式	Bag
面板安装式	否
间距 - 插配接口	1.00mm
有极性的插配件	是
可堆叠的	否
运行温度范围	-40° to +105° C

---

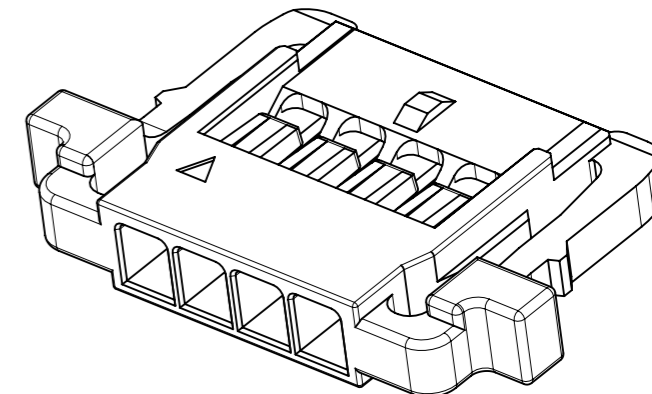
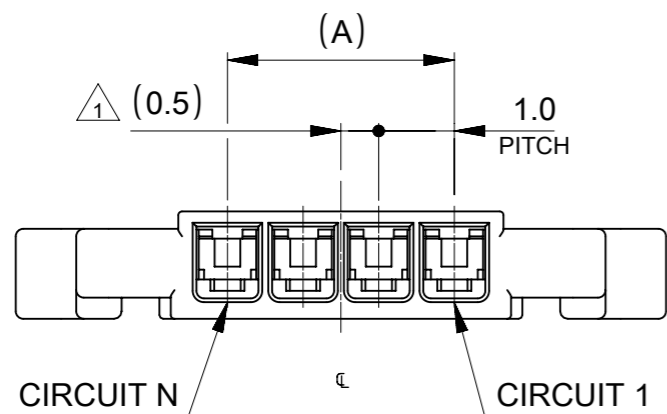
## 可配插/可连接使用的产品

### 可配插部件

描述	产品编号
1.00mm Pitch Pico-Lock Right-Angle Single Row Headers	<u>503763</u>

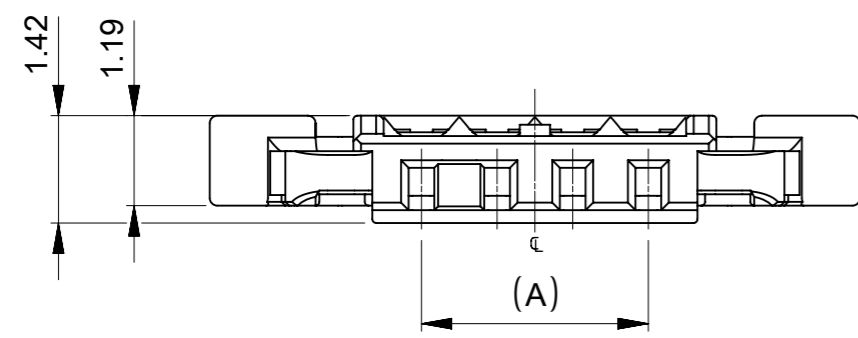
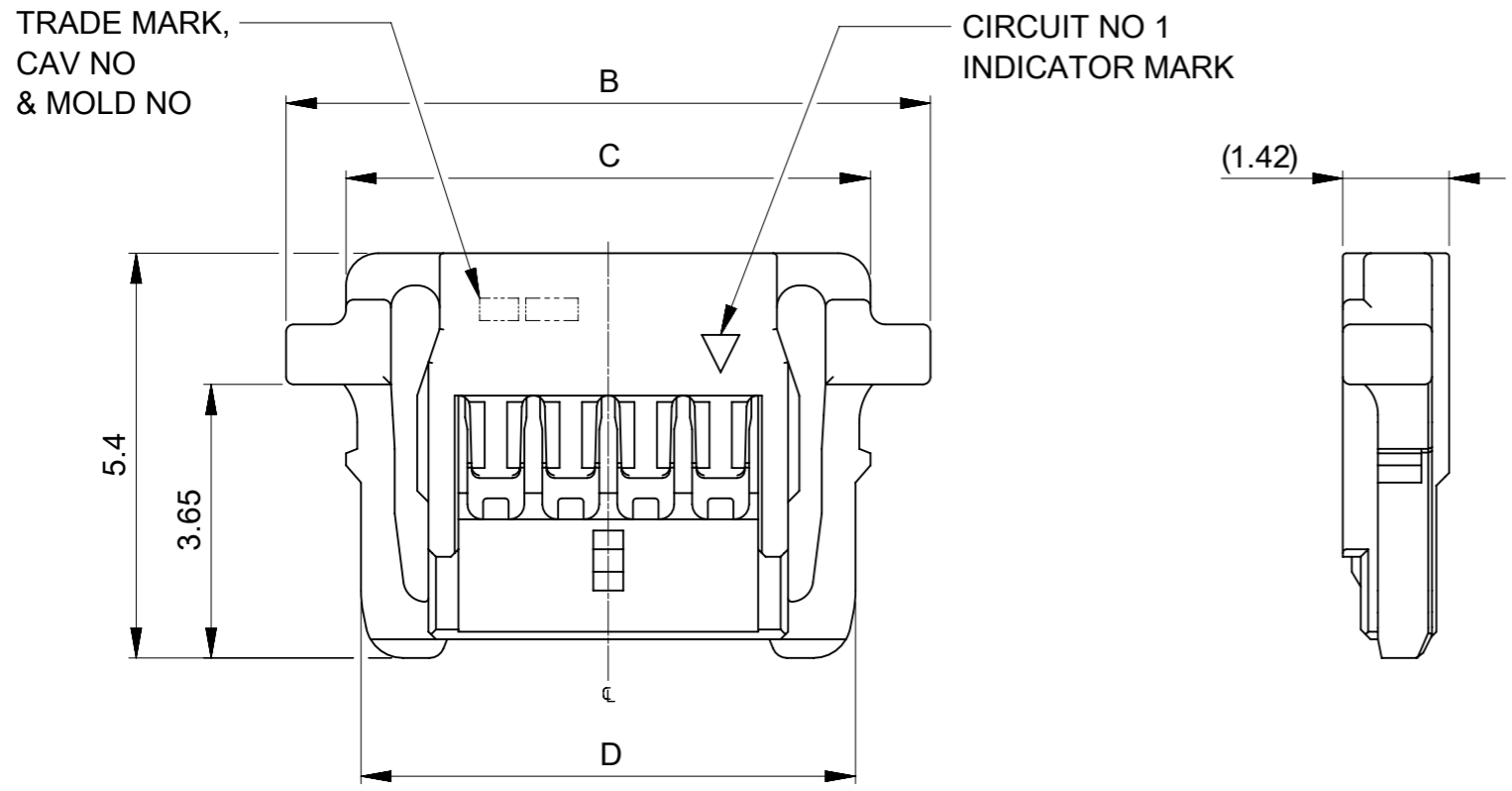
### 可连接使用部件

描述	产品编号
1.00mm Pitch, Pico-Lock Female Crimp Terminals	<u>503765</u>



**NOTES**

- △1 偶数極に適用  
APPLY EVEN CIRCUIT PRODUCTS
- 2. 材料  
MATERIAL  
ポリアミド(PA) UL94-V0 BLACK  
POLYAMIDE(PA) UL94-V0 BLACK
- 3. ELV及び RoHS適合品  
ELV AND RoHS COMPLIANT
- △4 適用製品及び各種仕様書はSHEET 2を参照のこと  
REFER TO SHEET 2 ABOUT APPLICABLE PRODUCTS  
AND VARIOUS SPECIFICATIONS



8.6	9	10.6	5.0	5037640601	6
7.6	8	9.6	4.0	5037640501	5
6.6	7	8.6	3.0	5037640401	4
5.6	6	7.6	2.0	5037640301	3
4.6	5	6.6	1.0	5037640201	2
D	C	B	A	ORDER NO	CIRCUIT

THIS DRAWING CONTAINS INFORMATION THAT IS PROPRIETARY TO MOLEX ELECTRONIC TECHNOLOGIES, LLC AND SHOULD NOT BE USED WITHOUT WRITTEN PERMISSION		CURRENT REV DESC: REDRAWN AND REVISED		<b>molex</b>	
DIMENSION UNITS	SCALE				
mm	NTS			PRODUCT CUSTOMER DRAWING	
GENERAL TOLERANCES (UNLESS SPECIFIED)				DOCUMENT NUMBER	
ANGULAR TOL ± 3.0 °				5037640000-SD	
4 PLACES ± 0.2		EC NO: 640538		DOC TYPE	
3 PLACES ± 0.2		DRWN: QHE31 2018/03/14		PSD	
2 PLACES ± 0.2		CHK'D: SAKIYAMA 2020/07/06		DOC PART	
1 PLACE ± 0.2		APPR: KOMURAKAMI 2020/07/07		000	
0 PLACES ± 0.2		INITIAL REVISION:		REVISION	
DRAFT WHERE APPLICABLE MUST REMAIN WITHIN DIMENSIONS		DRWN: QHE31 2018/03/14		A	
THIRD ANGLE PROJECTION		APPR: KOMURAKAMI 2020/07/07		SHEET NUMBER	
DRAWING		SERIES		1 OF 2	
A3-SIZE		503764			
MATERIAL NUMBER		CUSTOMER			
SEE CHART					

△<sup>4</sup> 適用製品及び各種仕様書  
 APPLICABLE PRODUCTS AND VARIOUS SPECIFICATIONS

梱包仕様書 PACKAGING SPECIFICATION	PART NUMBER 503764****	DOCUMENT NUMBER SPK-503764-001
----------------------------------	---------------------------	-----------------------------------

適用端子 APPLICABLE TERMINAL	PLATING TYPE GOLD	PART NUMBER 5037650098	WIRE SIZE(AWG) #28 - #30
-----------------------------	----------------------	---------------------------	-----------------------------

適合嵌合相手 MATE WITH	SMT
	GOLD PLATING
	RIGHT ANGLE
----- 製品番号 PRODUCT NUMBER	503763****
製品仕様書 PRODUCT SPECIFICATION	PS-503764-001
アプリケーション仕様書 APPLICATION SPECIFICATION	AS-503764-001

THIS DRAWING CONTAINS INFORMATION THAT IS PROPRIETARY TO MOLEX ELECTRONIC TECHNOLOGIES, LLC AND SHOULD NOT BE USED WITHOUT WRITTEN PERMISSION												
DIMENSION UNITS	SCALE	CURRENT REV DESC: REDRAWN AND REVISED				molex						
mm	NTS					PICO-LOCK1.0 REC HSG SINGLE-ROW R/A						
GENERAL TOLERANCES (UNLESS SPECIFIED)		EC NO: 640538 DRWN: QHE31 2018/03/14 CHK'D: SAKIYAMA 2020/07/06 APPR: KOMURAKAMI 2020/07/07 INITIAL REVISION: DRWN: QHE31 2018/03/14 APPR: KOMURAKAMI 2020/07/07				PRODUCT CUSTOMER DRAWING						
ANGULAR TOL	± 3.0 °					DOCUMENT NUMBER				DOC TYPE	DOC PART	REVISION
4 PLACES	± 0.2					5037640000-SD				PSD	000	A
3 PLACES	± 0.2					MATERIAL NUMBER				CUSTOMER		
2 PLACES	± 0.2					SERIES				SHEET NUMBER		
1 PLACE	± 0.2					A3-SIZE				2 OF 2		
0 PLACES	± 0.2	503764										
DRAFT WHERE APPLICABLE MUST REMAIN WITHIN DIMENSIONS		THIRD ANGLE PROJECTION	DRAWING	SERIES	MATERIAL NUMBER		CUSTOMER		SHEET NUMBER			
				A3-SIZE	503764				2 OF 2			

DOCUMENT STATUS	P1	RELEASE DATE	2020/07/07	08:21:59
-----------------	----	--------------	------------	----------