



产品编号 : 5046930300

系列号 : 504693

Product Category : Connector Housings

Product Description : CP-3.3 Receptacle Housing, 3.30mm Pitch, Single Row, Polarized, Positive Inertia Lock, 3 Circuits, Natural

状态 : Active

---

## 文件和资源

### 图纸

图纸 5046930300\_sd.pdf

### 3D 模型和设计文件

3D模型 5046930300\_stp.zip

### 规格

应用规格 AS-504693-001-001.pdf

应用规格 AS-504693-002-001.pdf


包装规格 SPK-504693-001-001.pdf

产品规格 PS-504693-001-001.pdf

---

## 产物环境合规

### 合规

GADSL/IMDS	Not Relevant
China RoHS	
EU ELV	Not Relevant
Low-Halogen Status	Not Low-Halogen per IEC 61249-2-21
REACH SVHC	Not Contained per D(2023)8585-DC (23 Jan 2024)
EU RoHS	Compliant per EU 2015/863

### 多部分产品合规性声明

- Eu RoHS
- REACH SVHC
- Low-Halogen
  
- IPC 1752A Class C
- IPC 1752A Class D

- Molex Product Compliance Declaration

- IEC-62474

- chemSHERPA (xml)

欧盟 RoHS 合格证书

---

## 产品详情

### 常规

状态	活动
类别	Connector Housings
系列	504693
说明	CP-3.3 Receptacle Housing, 3.30mm Pitch, Single Row, Polarized, Positive Inertia Lock, 3 Circuits, Natural
应用	Signal, Wire-to-Wire
产品系列	CP Wire-to-Board and Wire-to-Wire Connector Systems
产品名称	CP-3.3
UPC	887191484426

### 机构

UL	E29179
----	--------

### 物理

电路数 (最多)	3
颜色-树脂	Natural
阻燃性	94V-0
性别	Receptacle
符合灼热丝规范	否
插接极性	是
锁定插接部位	是
材料 - 树脂	PBT
净重	1055.000/mg
行数	1
包装形式	Bag
面板安装式	否

间距 - 插配接口	3.30mm
间距 - 终端界面	3.30mm
有极性的插配件	是
可堆叠的	否
运行温度范围	-40° to +105° C

---

## 可配插/可连接使用的产品

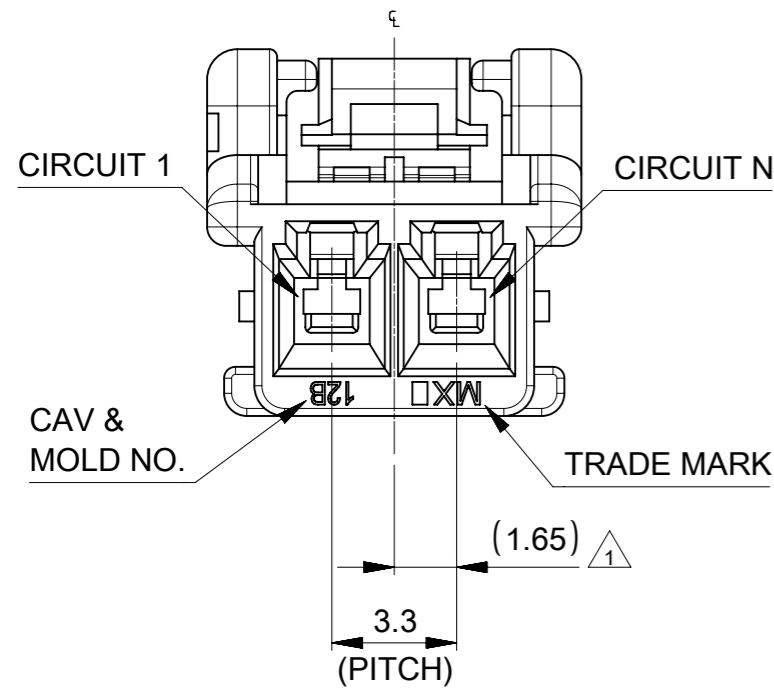
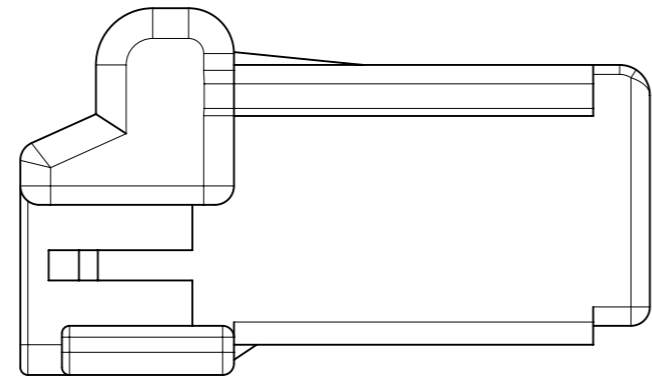
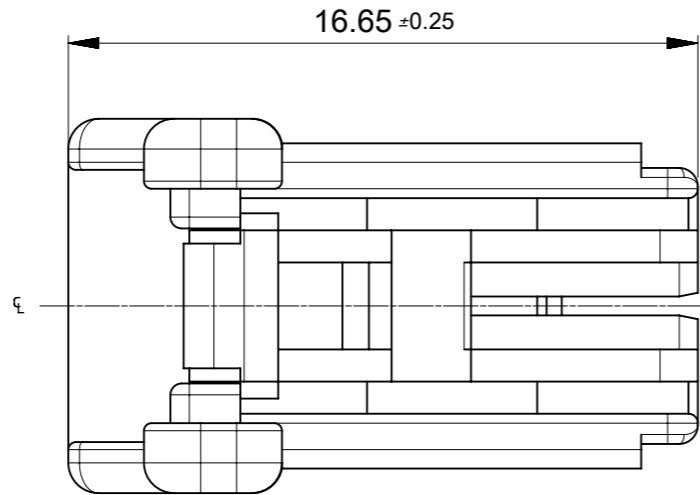
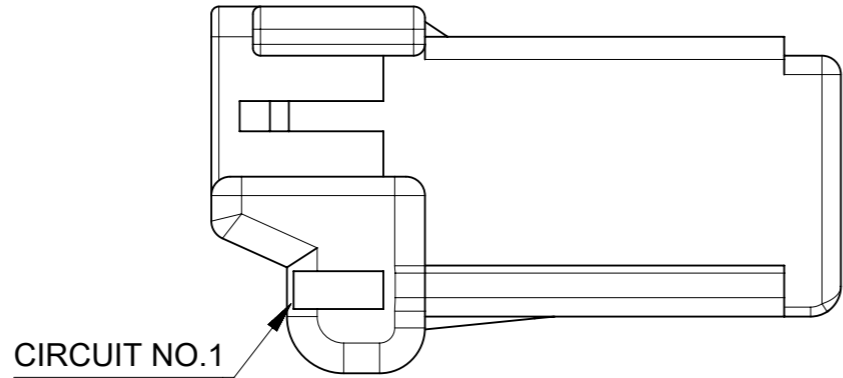
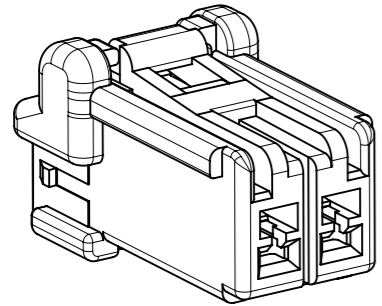
### 可配插部件

描述	产品编号
CP-3.3 Plug Housing, 3.30mm Pitch, Single Row, Polarized, Positive Inertia Lock, 3 Circuits, Natural	<u>5046940300</u>

### 可连接使用部件

描述	产品编号
CP-3.3 Terminal Position Assurance (TPA) Retainers	<u>504695</u>
CP-2.5 Mini and CP-3.3 Female Crimp Terminals	<u>50397</u>
CP-3.3 Wire-to-Wire Female Crimp Terminals	<u>505607</u>

FIGURE OF 5046930200



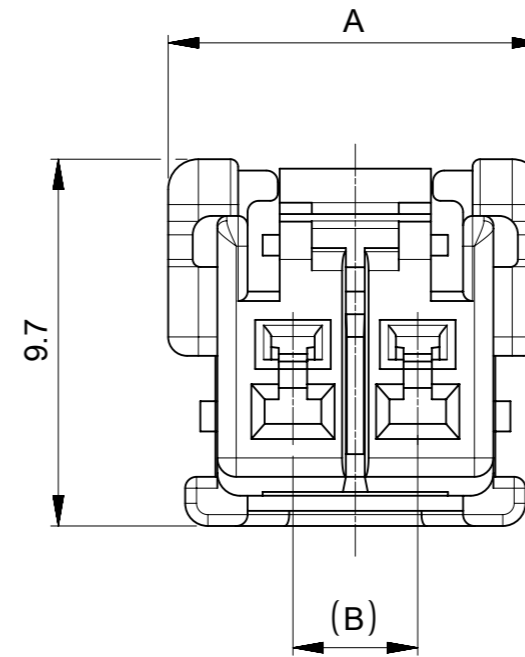
NOTES

- △1 材料：TABLE 1 参照  
MATERIAL：SEE TABLE 1
- △2 製品仕様書、アプリケーション仕様書、適応嵌合相手、適応リテーナー、適応ターミナルはSHEET 2を御参照下さい  
PLEASE REFER TO SHEET 2 FOR PRODUCT SPECIFICATION, APPLICATION SPECIFICATION, APPLY MATE PARTNER, APPLY RETAINER, APPLY TERMINAL.
- △3 極数/2 = 偶数に適応  
APPLY FOR CIRCUIT SIZE / 2 =EVEN
- 4. 本製品のプラスチック部に黒点・白点等が確認される場合や色合いが異なる場合がありますが、製品性能に影響はありません。  
THERE IS NO INFLUENCE IN THE PRODUCT PERFORMANCE THOUGH THE BLACK AND WHITE SPOT ETC. MIGHT BE CONFIRMED TO THE PLASTIC PART OF THIS PRODUCT AND THE SHADE MIGHT BE DIFFERENT.
- △5 発注番号：SHEET 3 参照  
ORDER No.：PLEASE REFER TO SHEET 3 FOR PRODUCT LIST.

504693 \*\*\*\*

極数  
CIRCUIT SIZE

ハウジングカラー HOUSING COLOR	
00:自然色	NATURAL
01:黒	BLACK
02:赤	RED
03:黄	YELLOW
04:青	BLUE
05:桃	PINK
06:緑	GREEN
08:橙	ORANGE
09:紫	VIOLET



16.5	23.1±0.25	6
9.9	16.5±0.25	4
6.6	13.2±0.25	3
3.3	9.9	2
(B)	A	極数 CIRCUIT SIZE

△1 TABLE 1

部品 PART	材料 MATERIAL
ハウジング HOUSING	PBT, UL-94 V-0,色：SEE CHART PBT, UL-94 V-0,COLOR：SEE CHART

DOCUMENT STATUS	P1	RELEASE DATE	2018/11/21	03:00:32
-----------------	----	--------------	------------	----------

DIMENSION UNITS		SCALE	CURRENT REV DESC:			molex		
mm		5:1	EC NO: 607712			CP3.3 W/W SINGLE ROW REC HOUSING		
GENERAL TOLERANCES (UNLESS SPECIFIED)			DRWN: KYAMADA02 2018/11/14			PRODUCT CUSTOMER DRAWING		
ANGULAR TOL ± 3.0°			CHK'D: SAKIYAMA 2018/11/21			DOCUMENT NUMBER		
4 PLACES ± 0.2			APPR: TKANEKO 2018/11/21			5046930000-SD		
3 PLACES ± 0.2			INITIAL REVISION:			DOC TYPE DOC PART REVISION		
2 PLACES ± 0.2			DRWN: KYAMADA02 2018/11/14			PSD 000 A		
1 PLACE ± 0.2			APPR: TKANEKO 2018/11/21			MATERIAL NUMBER CUSTOMER SHEET NUMBER		
0 PLACES ± 0.2			DRAWING SERIES			SEE CHART GENERAL 1 OF 3		
DRAFT WHERE APPLICABLE MUST REMAIN WITHIN DIMENSIONS			THIRD ANGLE PROJECTION			A3-SIZE 504693		

△ 2 適応製品及び各種仕様書  
 APPLICABLE PRODUCTS AND VARIOUS SPECIFICATIONS

梱包仕様書 PACKING SPECIFICATION	PART NUMBER	SPECIFICATION NUMBER
	504693****	SPK-504693-001

適応端子 APPLY TERMINAL	PART NUMBER	PLATING TYPE	WIRE SIZE(AWG)
	5056070*00	TIN	#18 - #22
	503978*00		#22 - #28

適応嵌合相手 APPLY MATE	TIN PLATING
シリアル番号 SERIES No.	REC HSG
適応リテーナー APPLY RETAINER	RETAINER
シリアル番号 SERIES No.	504695
製品仕様書 PRODUCT SPECIFICATION	PS-504693-001
アプリケーション仕様書 APPLICATION SPECIFICATION	AS-504693-001(JAPANESE)/-002(ENGLISH)

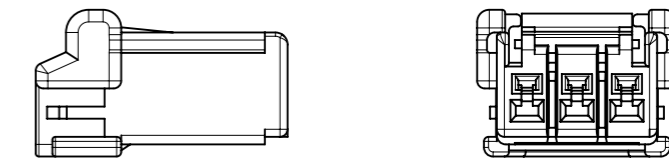


FIGURE OF 3 CIRCUIT

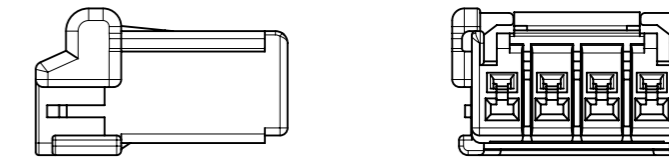


FIGURE OF 4 CIRCUIT

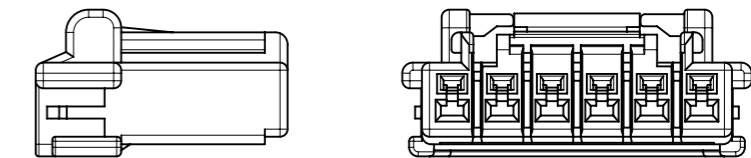
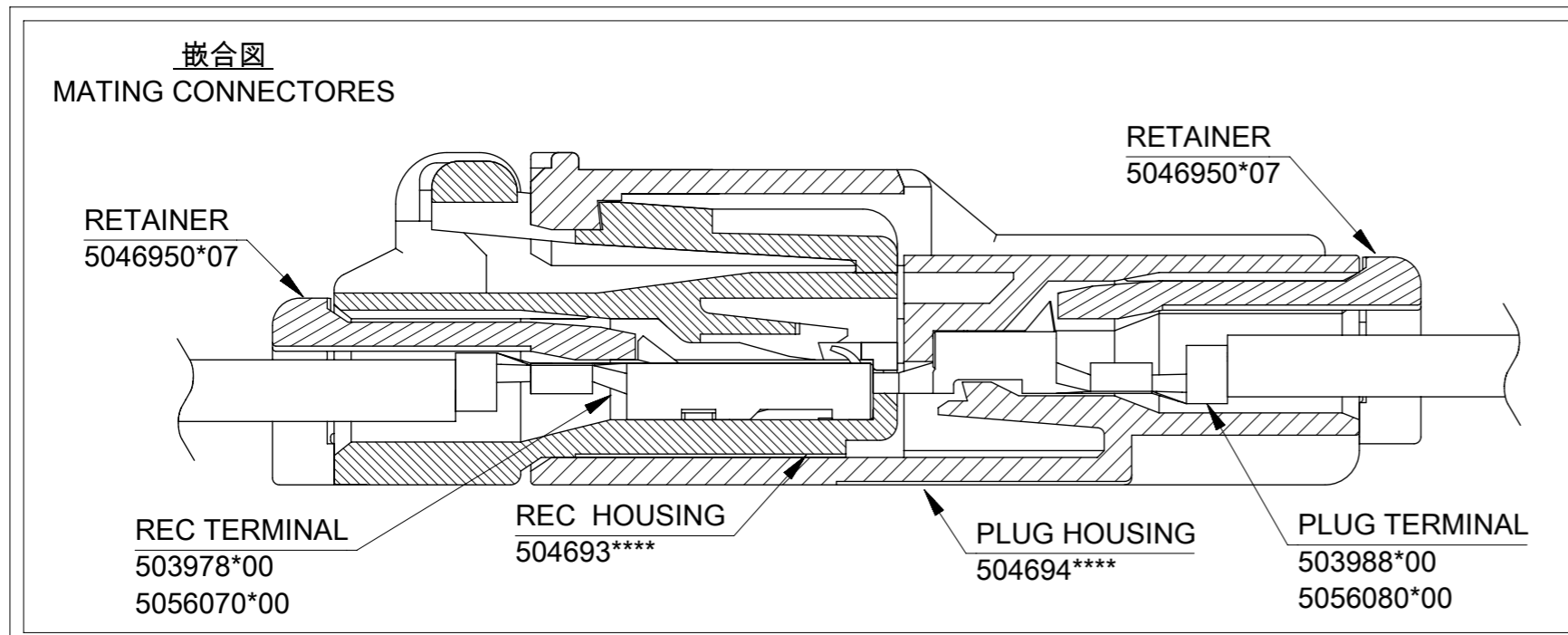


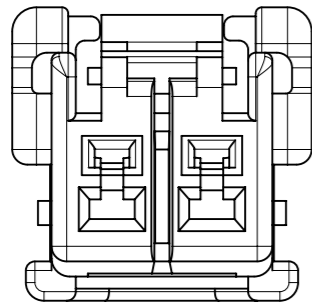
FIGURE OF 6 CIRCUIT



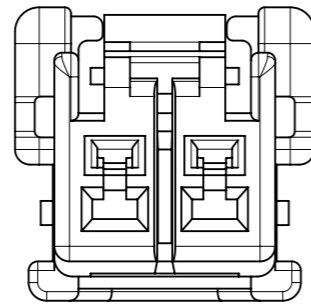
THIS DRAWING CONTAINS INFORMATION THAT IS PROPRIETARY TO MOLEX ELECTRONIC TECHNOLOGIES, LLC AND SHOULD NOT BE USED WITHOUT WRITTEN PERMISSION									
DIMENSION UNITS	SCALE	CURRENT REV DESC:			<b>molex</b>				
mm	2:1								
GENERAL TOLERANCES (UNLESS SPECIFIED)		EC NO: 607712			CP.3.3 W/W SINGLE ROW REC HOUSING				
ANGULAR TOL	± 3.0°	DRWN: KYAMADA02 2018/11/14			PRODUCT CUSTOMER DRAWING				
4 PLACES	± 0.2	CHK'D: SAKIYAMA 2018/11/21			DOCUMENT NUMBER				
3 PLACES	± 0.2	APPR: TKANEKO 2018/11/21			5046930000-SD				
2 PLACES	± 0.2	INITIAL REVISION:			DOC TYPE				
1 PLACE	± 0.2	DRWN: KYAMADA02 2018/11/14			PSD				
0 PLACES	± 0.2	APPR: TKANEKO 2018/11/21			DOC PART				
DRAFT WHERE APPLICABLE MUST REMAIN WITHIN DIMENSIONS		THIRD ANGLE PROJECTION	DRAWING	SERIES	MATERIAL NUMBER	CUSTOMER	REVISION		
			A3-SIZE	504693	SEE CHART	GENERAL	A		
							SHEET NUMBER		
							2 OF 3		

△ 製品一覧  
PRODUCT LIST

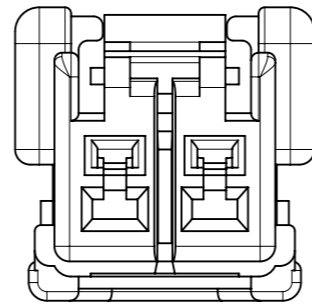
HOUSING COLOR									
VIOLET	ORANGE	GREEN	PINK	BLUE	YELLOW	RED	BLACK	NATURAL	
-	-	-	-	5046930604	5046930603	5046930602	5046930601	5046930600	6
-	-	-	-	5046930404	5046930403	5046930402	5046930401	5046930400	4
-	-	-	-	5046930304	5046930303	5046930302	5046930301	5046930300	3
5046930209	5046930208	5046930206	5046930205	5046930204	5046930203	5046930202	5046930201	5046930200	2
オーダー番号 ORDER No.									極数 CIRCUIT NO.
梱包形態 : ポリ袋 PACKAGING : POLYBAG									



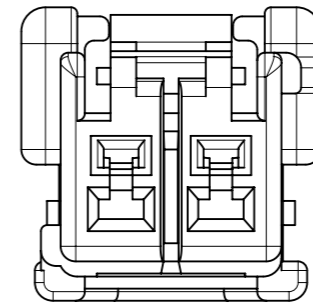
KEY TYPE :1  
COLOR :NATURAL  
MATERIAL NO. :5046930200



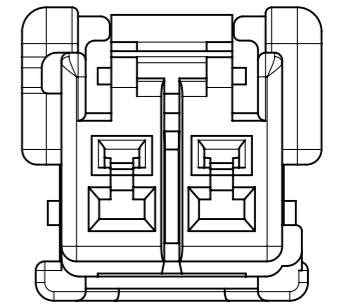
KEY TYPE :2  
COLOR :BLACK  
MATERIAL NO. :5046930201



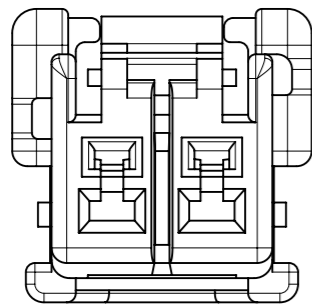
KEY TYPE :3  
COLOR :RED  
MATERIAL NO. :5046930202



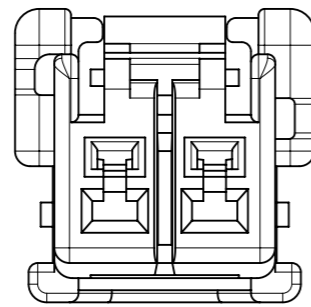
KEY TYPE :4  
COLOR :YELLOW  
MATERIAL NO. :5046930203



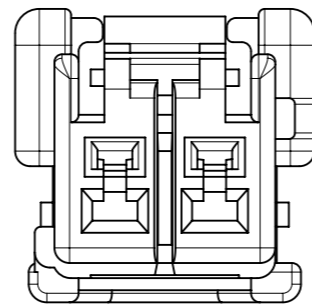
KEY TYPE :5  
COLOR :BLUE  
MATERIAL NO. :5046930204



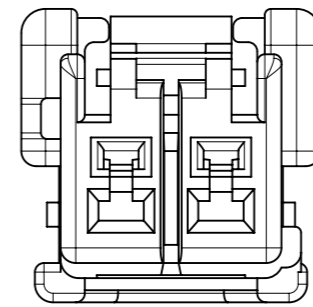
KEY TYPE :6  
COLOR :PINK  
MATERIAL NO. :5046930205



KEY TYPE :7  
COLOR :GREEN  
MATERIAL NO. :5046930206



KEY TYPE :8  
COLOR :ORANGE  
MATERIAL NO. :5046930208



KEY TYPE :9  
COLOR :VIOLET  
MATERIAL NO. :5046930209

MATING  
KEY TYPE & COLOR

FIGURE TO 2 CIRCUIT

THIS DRAWING CONTAINS INFORMATION THAT IS PROPRIETARY TO MOLEX ELECTRONIC TECHNOLOGIES, LLC AND SHOULD NOT BE USED WITHOUT WRITTEN PERMISSION										
DIMENSION UNITS	SCALE	CURRENT REV DESC:								
mm	2:1									
GENERAL TOLERANCES (UNLESS SPECIFIED)		EC NO: 607712			CP3.3 W/W SINGLE ROW REC HOUSING					
ANGULAR TOL	± 3.0°	DRWN: KYAMADA02 2018/11/14								
4 PLACES	± 0.2	CHK'D: SAKIYAMA 2018/11/21								
3 PLACES	± 0.2	APPR: TKANEKO 2018/11/21			PRODUCT CUSTOMER DRAWING					
2 PLACES	± 0.2	INITIAL REVISION:			DOCUMENT NUMBER					
1 PLACE	± 0.2	DRWN: KYAMADA02 2018/11/14			5046930000-SD			DOC TYPE	DOC PART	REVISION
0 PLACES	± 0.2	APPR: TKANEKO 2018/11/21			SEE CHART			PSD	000	A
DRAFT WHERE APPLICABLE MUST REMAIN WITHIN DIMENSIONS		THIRD ANGLE PROJECTION	DRAWING	SERIES	MATERIAL NUMBER	CUSTOMER		SHEET NUMBER		
			A3-SIZE	504693	SEE CHART	GENERAL		3 OF 3		