



产品编号 : 5046940200

系列号 : 504694

Product Category : Connector Housings

Product Description : CP-3.3 Plug Housing, 3.30mm Pitch, Single Row, Polarized, Positive Inertia Lock, 2 Circuits, Natural

状态 : Active

---

## 文件和资源

### 图纸

图纸 5046940200\_sd.pdf

### 3D 模型和设计文件

3D模型 5046940200\_stp.zip

### 规格

应用规格 AS-504693-001-001.pdf

应用规格 AS-504693-002-001.pdf


包装规格 SPK-504694-001-001.pdf

产品规格 PS-504693-001-001.pdf

---

## 产物环境合规

### 合规

GADSL/IMDS	Not Relevant
China RoHS	
EU ELV	Not Relevant
Low-Halogen Status	Not Low-Halogen per IEC 61249-2-21
REACH SVHC	Not Contained per D(2023)8585-DC (23 Jan 2024)
EU RoHS	Compliant per EU 2015/863

### 多部分产品合规性声明

- Eu RoHS
- REACH SVHC
- Low-Halogen
  
- IPC 1752A Class C
- IPC 1752A Class D
- Molex Product Compliance Declaration

- IEC-62474

- chemSHERPA (xml)

欧盟 RoHS 合格证书

## 产品详情

### 常规

状态	活动
类别	Connector Housings
系列	504694
说明	CP-3.3 Plug Housing, 3.30mm Pitch, Single Row, Polarized, Positive Inertia Lock, 2 Circuits, Natural
应用	Signal, Wire-to-Wire
产品系列	CP Wire-to-Board and Wire-to-Wire Connector Systems
产品名称	CP-3.3
UPC	887191361369

### 机构

UL	E29179
----	--------

### 物理

电路数 (最多)	2
颜色-树脂	Natural
阻燃性	94V-0
性别	Plug
符合灼热丝规范	否
插接极性	是
锁定插接部位	是
材料 - 树脂	PBT
净重	1132.000/mg
行数	1
包装形式	Bag
面板安装式	否
间距 - 插配接口	3.30mm

间距 - 终端界面	3.30mm
有极性的插配件	是
可堆叠的	否
运行温度范围	-40° to +105° C

---

## 可配插/可连接使用的产品

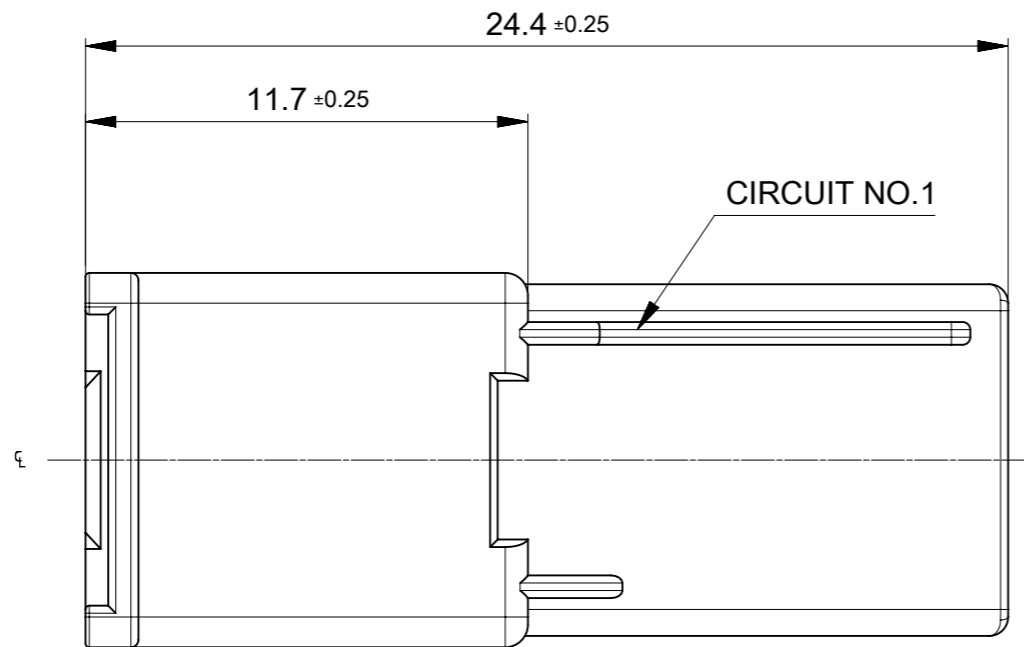
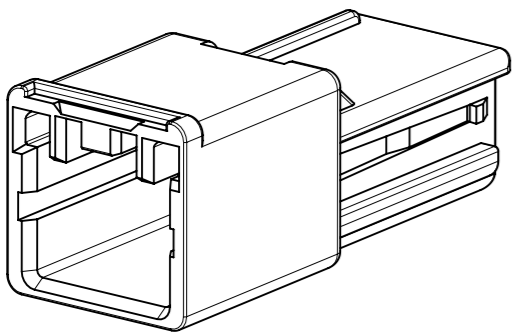
### 可配插部件

描述	产品编号
CP-3.3 Receptacle Housing, 3.30mm Pitch, Single Row, Polarized, Positive Inertia Lock, 2 Circuits, Natural	<u>5046930200</u>

### 可连接使用部件

描述	产品编号
CP-3.3 Terminal Position Assurance (TPA) Retainers	<u>504695</u>
2.50mm and 3.30mm Pitch Male Crimp Terminals	<u>50398</u>
2.50mm and 3.30mm Pitch Male Crimp Terminals	<u>505608</u>

FIGURE OF 5046940200



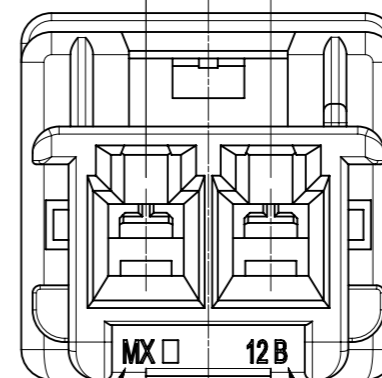
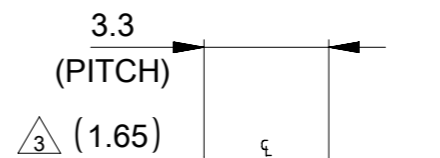
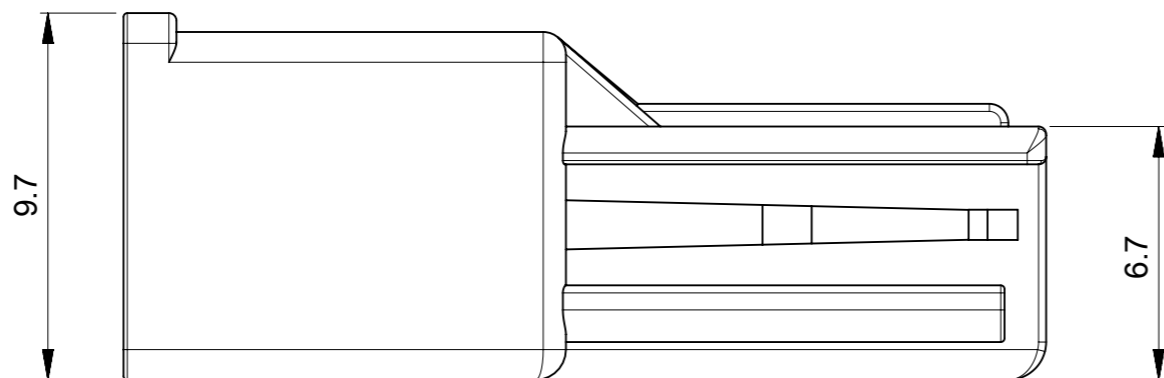
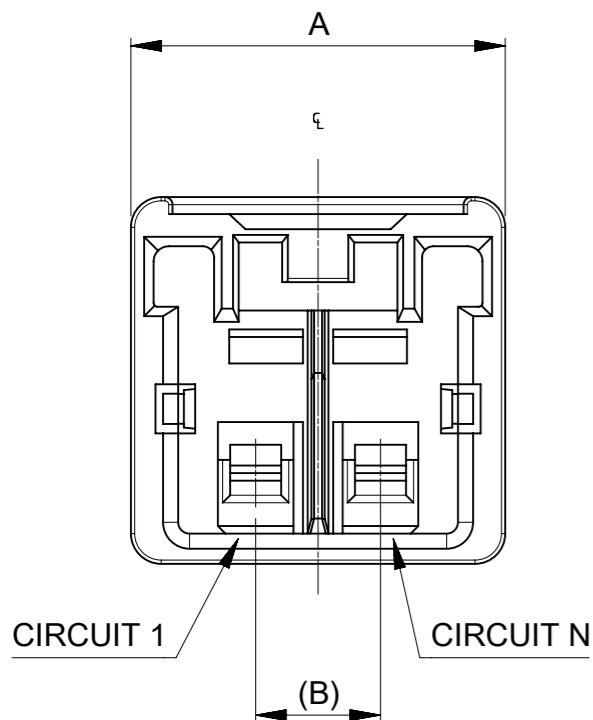
NOTES

- △1 材料：TABLE 1 参照  
MATERIAL：SEE TABLE 1
- △2 製品仕様書、アプリケーション仕様書、適応嵌合相手、適応リテーナー、適応ターミナルはSHEET 2を御参照下さい  
PLEASE REFER TO SHEET 2 FOR PRODUCT SPECIFICATION, APPLICATION SPECIFICATION, APPLY MATE PARTNER, APPLY RETAINER, APPLY TERMINAL.
- △3 偶数極に適用。  
APPLY FOR EVEN CIRCUIT.
- 4. 本製品のプラスチック部に黒点・白点等が確認される場合や色合いが異なる場合がありますが、製品性能に影響はありません。  
THERE IS NO INFLUENCE IN THE PRODUCT PERFORMANCE THOUGH THE BLACK AND WHITE SPOT ETC. MIGHT BE CONFIRMED TO THE PLASTIC PART OF THIS PRODUCT AND THE SHADE MIGHT BE DIFFERENT.
- △5 発注番号：SHEET 3 参照  
ORDER No.：PLEASE REFER TO SHEET 3 FOR PRODUCT LIST.

504694 \*\*\*\*

極数  
CIRCUIT SIZE

ハウジングカラー HOUSING COLOR	
00:自然色	NATURAL
01:黒	BLACK
02:赤	RED
03:黄	YELLOW
04:青	BLUE
05:桃	PINK
06:緑	GREEN
08:橙	ORANGE
09:紫	VIOLET



16.5	23.1±0.25	6
9.9	16.5±0.25	4
6.6	13.2±0.25	3
3.3	9.9	2
(B)	A	極数 CIRCUIT SIZE

△1 TABLE 1

部品 PART	材料 MATERIAL
ハウジング HOUSING	POLYESTER (PBT), UL-94 V-0,色：SEE CHART POLYESTER (PBT), UL-94 V-0,COLOR：SEE CHART

DOCUMENT STATUS P1 RELEASE DATE 2024/05/27 14:24:30

THIS DRAWING CONTAINS INFORMATION THAT IS PROPRIETARY TO MOLEX ELECTRONIC TECHNOLOGIES, LLC AND SHOULD NOT BE USED WITHOUT WRITTEN PERMISSION

DIMENSION UNITS mm	SCALE 5:1	CURRENT REV DESC:		<b>molex</b>		
GENERAL TOLERANCES (UNLESS SPECIFIED)		EC NO: 787318				
ANGULAR TOL ± 3.0°	4 PLACES ± 0.2	DRWN: KYAMADA02	2023/11/22	PRODUCT CUSTOMER DRAWING		
3 PLACES ± 0.2	2 PLACES ± 0.2	CHK'D: SAKIYAMA	2024/05/27	DOCUMENT NUMBER		
1 PLACE ± 0.2	0 PLACES ± 0.2	APPR: AIDA	2024/05/27	DOC TYPE DOC PART REVISION		
INITIAL REVISION:		DRWN: KYAMADA02		5046940000-SD		
APPR: TKANEKO		2018/11/02		PSD 000 B		
DRAFT WHERE APPLICABLE MUST REMAIN WITHIN DIMENSIONS		THIRD ANGLE PROJECTION	DRAWING	SERIES	MATERIAL NUMBER	CUSTOMER
		⊕	A3-SIZE	504694	SEE CHART	GENERAL
						SHEET NUMBER
						1 OF 3

△ 適合製品及び各種仕様書  
 APPLICABLE PRODUCTS AND VARIOUS SPECIFICATIONS

梱包仕様書 PACKING SPECIFICATION	PART NUMBER	SPECIFICATION NUMBER
	504694****	SPK-504694-001

適合端子 APPLY TERMINAL	PART NUMBER	PLATING TYPE	WIRE SIZE(AWG)
	5056080*00	TIN	#18 - #22
	503988*00		#22 - #28

適合嵌合相手 APPLY MATE	TIN PLATING
シリーズ番号 SERIES No.	REC HSG
適合リテーナー APPLY RETAINER	504693
シリーズ番号 SERIES No.	RETAINER
製品仕様書 PRODUCT SPECIFICATION	504695
アプリケーション仕様書 APPLICATION SPECIFICATION	PS-504693-001
	AS-504693-001(JAPANESE)/-002(ENGLISH)

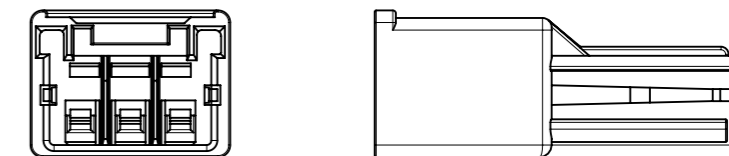


FIGURE OF 3 CIRCUIT

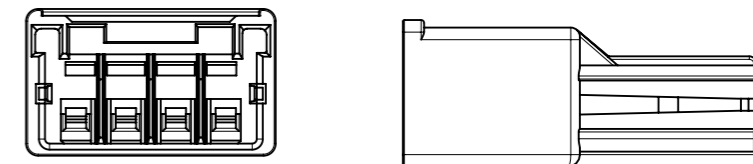


FIGURE OF 4 CIRCUIT

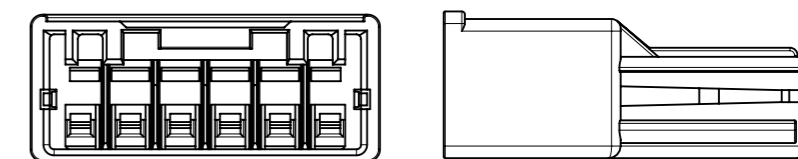
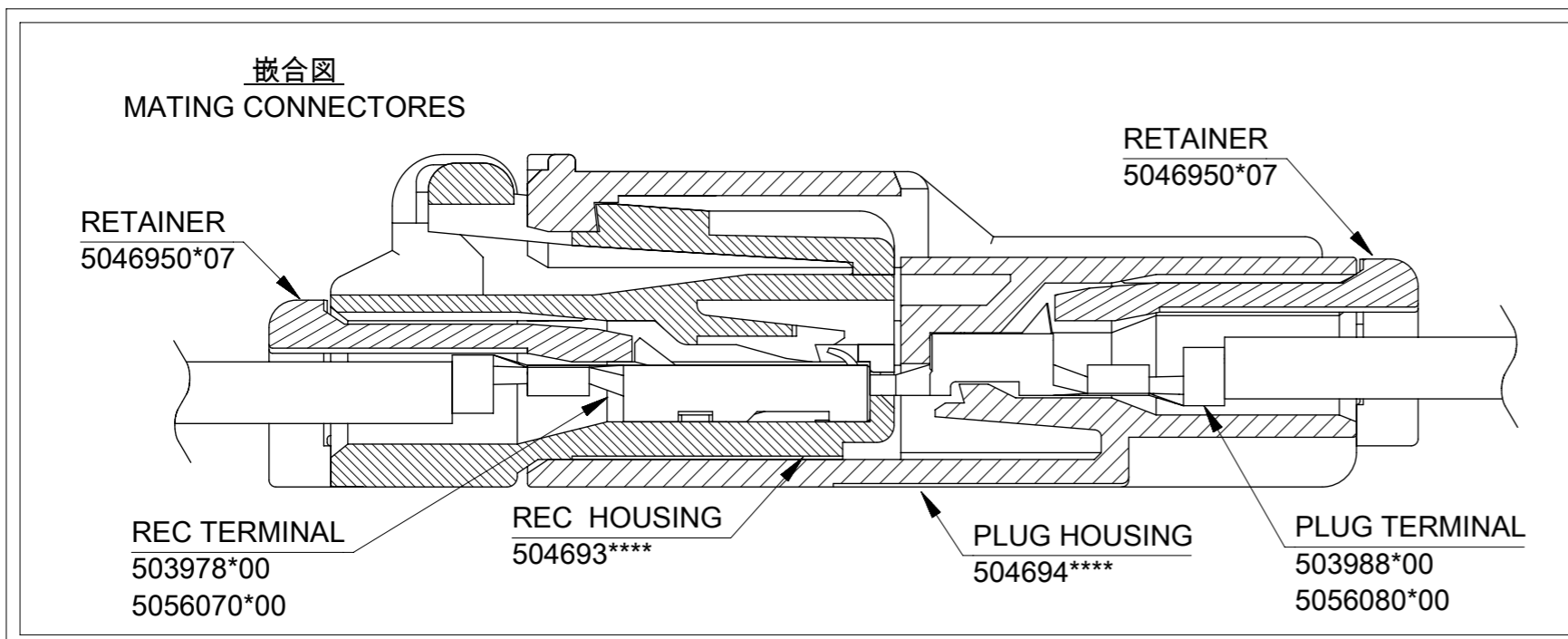


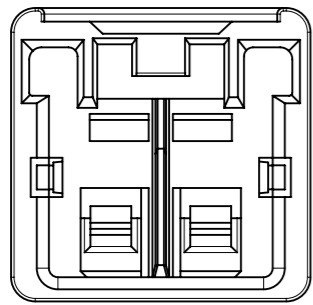
FIGURE OF 6 CIRCUIT



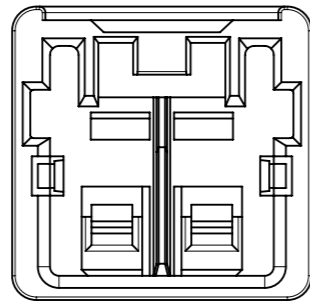
THIS DRAWING CONTAINS INFORMATION THAT IS PROPRIETARY TO MOLEX ELECTRONIC TECHNOLOGIES, LLC AND SHOULD NOT BE USED WITHOUT WRITTEN PERMISSION									
DIMENSION UNITS		SCALE		CURRENT REV DESC:				<b>molex</b>	
mm		1:1							
GENERAL TOLERANCES (UNLESS SPECIFIED)				CP-3.3 W/W SINGLE ROW PLUG HOUSING					
ANGULAR TOL ± 3.0°				PRODUCT CUSTOMER DRAWING					
4 PLACES ± 0.2		EC NO: 787318		DRWN: KYAMADA02		2023/11/22		DOCUMENT NUMBER	
3 PLACES ± 0.2		CHK'D: SAKIYAMA		APPR: AIDA		2024/05/27		DOC TYPE DOC PART REVISION	
2 PLACES ± 0.2		INITIAL REVISION:		DRWN: KYAMADA02		2018/11/02		5046940000-SD	
1 PLACE ± 0.2		APPR: TKANEKO		DRWN: KYAMADA02		2018/11/21		PSD 000 B	
0 PLACES ± 0.2		DRAFT WHERE APPLICABLE MUST REMAIN WITHIN DIMENSIONS		THIRD ANGLE PROJECTION		DRAWING		SERIES	
				A3-SIZE		504694		MATERIAL NUMBER	
				SEE CHART		CUSTOMER		GENERAL	
								SHEET NUMBER	
								2 OF 3	

△ 製品一覧  
PRODUCT LIST

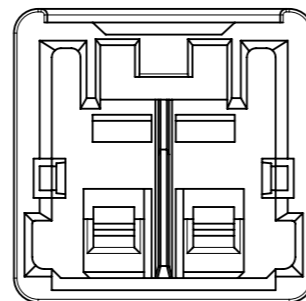
HOUSING COLOR									
VIOLET	ORANGE	GREEN	PINK	BLUE	YELLOW	RED	BLACK	NATURAL	
-	-	-	-	5046940604	5046940603	5046940602	5046940601	5046940600	6
-	-	-	-	5046940404	5046940403	5046940402	5046940401	5046940400	4
-	-	-	-	5046940304	5046940303	5046940302	5046940301	5046940300	3
5046940209	5046940208	5046940206	5046940205	5046940204	5046940203	5046940202	5046940201	5046940200	2
オーダー番号 ORDER No. 梱包形態 : ポリ袋 PACKAGING : POLYBAG									極数 CIRCUIT No.



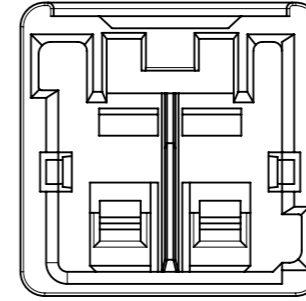
KEY TYPE :1  
COLOR :NATURAL  
MATERIAL NO. :5046940200



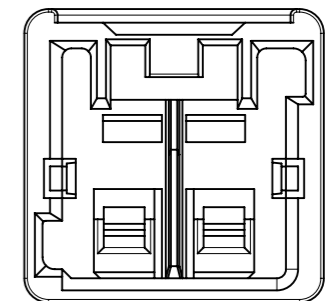
KEY TYPE :2  
COLOR :BLACK  
MATERIAL NO. :5046940201



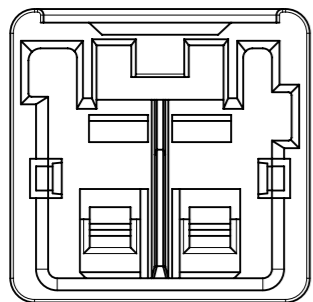
KEY TYPE :3  
COLOR :RED  
MATERIAL NO. :5046940202



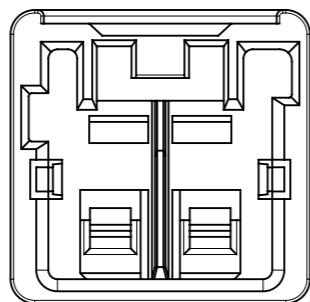
KEY TYPE :4  
COLOR :YELLOW  
MATERIAL NO. :5046940203



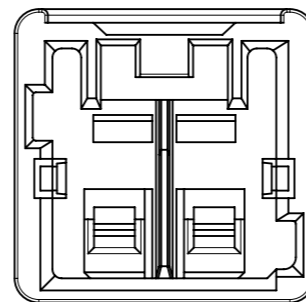
KEY TYPE :5  
COLOR :BLUE  
MATERIAL NO. :5046940204



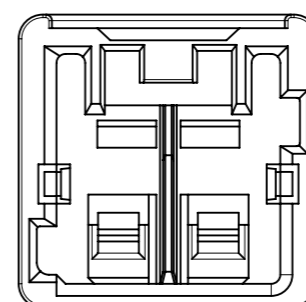
KEY TYPE :6  
COLOR :PINK  
MATERIAL NO. :5046940205



KEY TYPE :7  
COLOR :GREEN  
MATERIAL NO. :5046940206



KEY TYPE :8  
COLOR :ORANGE  
MATERIAL NO. :5046940208



KEY TYPE :9  
COLOR :VIOLET  
MATERIAL NO. :5046940209

MATING  
KEY TYPE & COLORS

FIGURE OF 2 CIRCUIT

THIS DRAWING CONTAINS INFORMATION THAT IS PROPRIETARY TO MOLEX ELECTRONIC TECHNOLOGIES, LLC AND SHOULD NOT BE USED WITHOUT WRITTEN PERMISSION										
DIMENSION UNITS	SCALE	CURRENT REV DESC:								
mm	2:1	 CP-3.3 W/W SINGLE ROW PLUG HOUSING PRODUCT CUSTOMER DRAWING								
GENERAL TOLERANCES (UNLESS SPECIFIED)										
ANGULAR TOL	± 3.0 °									
4 PLACES	± 0.2									
3 PLACES	± 0.2									
2 PLACES	± 0.2	EC NO: 787318	2023/11/22		DRWN: KYAMADA02 CHK'D: SAKIYAMA APPR: AIDA					
1 PLACE	± 0.2	INITIAL REVISION:								
0 PLACES	± 0.2	2018/11/02								
DRAFT WHERE APPLICABLE MUST REMAIN WITHIN DIMENSIONS		THIRD ANGLE PROJECTION	DRAWING	SERIES	MATERIAL NUMBER	CUSTOMER	DOCUMENT NUMBER	DOC TYPE	DOC PART	REVISION
			A3-SIZE	504694	SEE CHART	GENERAL	5046940000-SD	PSD	000	B