



产品编号 : 5046950307

Product Description : CP-3.3 Terminal
Position Assurance (TPA) Retainer, 3.30mm
Pitch, Brown, 3 Circuits

系列号 : 504695

状态 : Active

Product Category : Connector Accessories

文件和资源

图纸

图纸 5046950307_sd.pdf

3D 模型和设计文件

3D模型 5046950307_stp.zip

规格

应用规格 5056050000-A01.pdf

应用规格 AS-504693-001-001.pdf

应用规格 AS-504693-002-001.pdf

应用规格 5056050000-A00.pdf


包装规格 SPK-504695-001-001.pdf

产品规格 PS-504693-001-001.pdf

产品规格 5056050000-000.pdf

产物环境合规

合规

GADSL/IMDS	Not Relevant
China RoHS	
EU ELV	Not Relevant
Low-Halogen Status	Not Low-Halogen per IEC 61249-2-21
REACH SVHC	Not Contained per D(2023)8585-DC (23 Jan 2024)
EU RoHS	Compliant per EU 2015/863

多部分产品合规性声明

- Eu RoHS
- REACH SVHC
- Low-Halogen

- IPC 1752A Class C
- IPC 1752A Class D
- Molex Product Compliance Declaration
- IEC-62474
- chemSHERPA (xml)

欧盟 RoHS 合格证书

产品详情

常规

状态	活动
类别	Connector Accessories
系列	504695
说明	CP-3.3 Terminal Position Assurance (TPA) Retainer, 3.30mm Pitch, Brown, 3 Circuits
元件类型	Terminal Position Assurance
产品系列	CP Wire-to-Board and Wire-to-Wire Connector Systems
产品名称	CP-3.3
UPC	887191487809

物理

回路数 (已载入)	3
电路数 (最多)	3
颜色-树脂	棕色
材料 - 树脂	PBT
净重	138.000/mg
包装形式	Bag
运行温度范围	-40° to +105° C

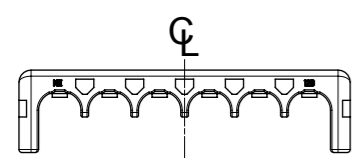
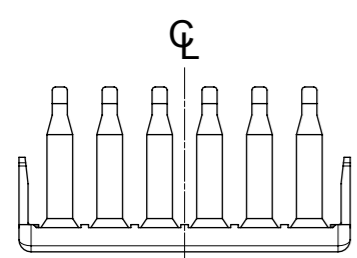
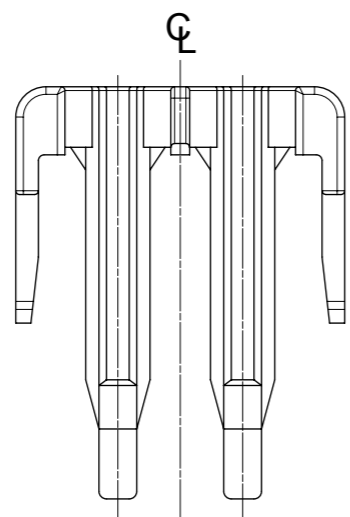
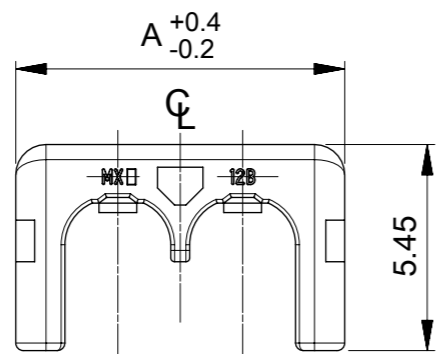
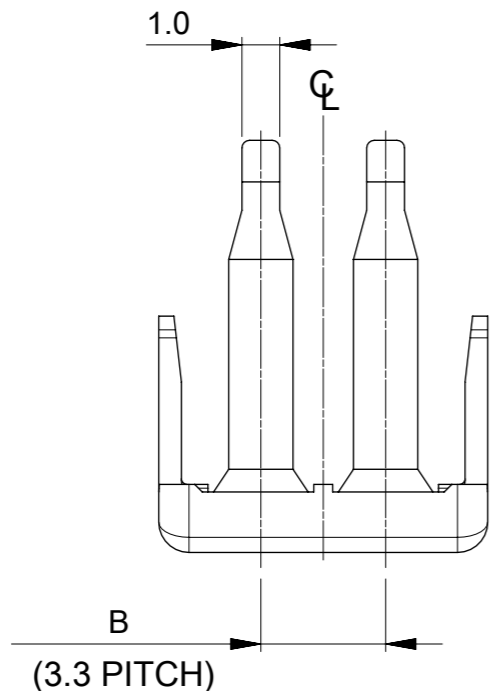
可连接使用部件

描述	产品编号
CP-3.3 Single Row Receptacle Housings	<u>504693</u>
CP-3.3 Single Row Plug Housings	<u>504694</u>

CP-3.3 Dual Row Receptacle Housings	<u>505605</u>
CP-3.3 Dual Row Plug Housings	<u>505606</u>

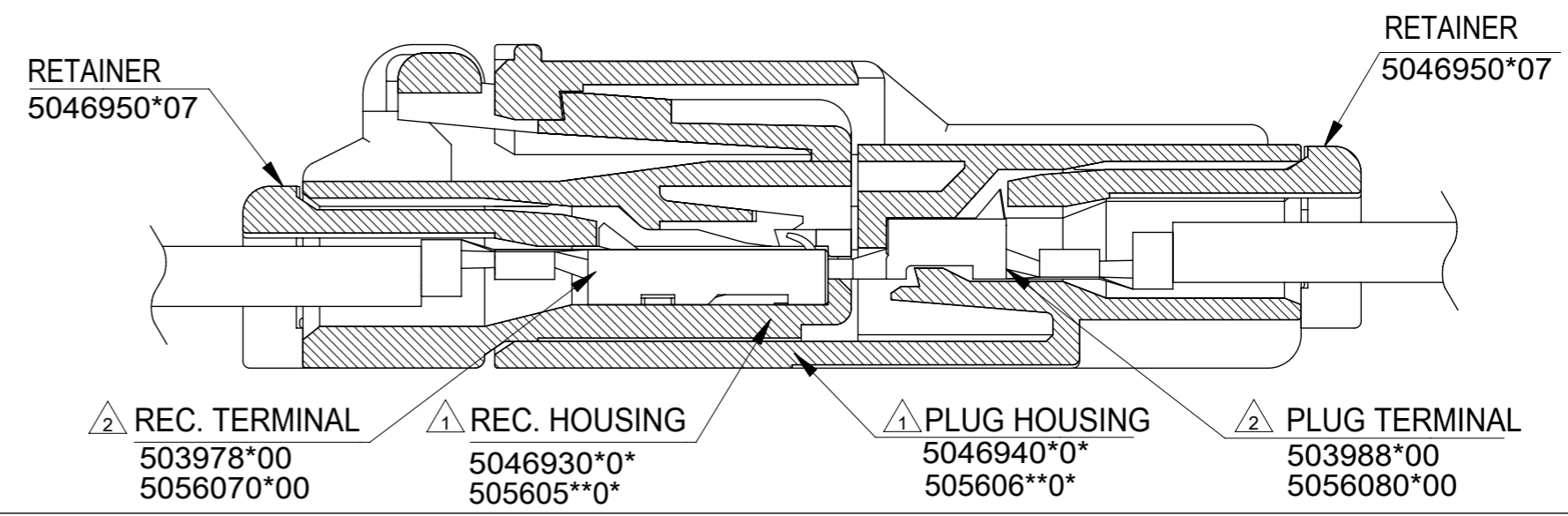
This document was generated on Jun 03, 2024

SHAPE OF 2CKT



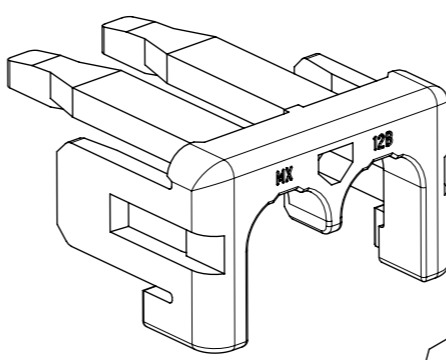
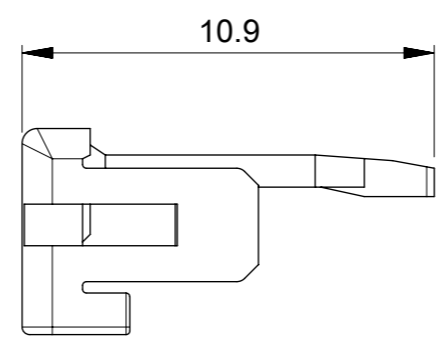
VIEW OF CKT.6

ターミナル嵌合状態図
TERMINAL MATING DRAWING



注記
NOTES

- ① 適合ハウジング:504693,504694,505605,505606 シリーズ。
APPLICABLE HSG: 504693,504694,505605,505606 SERIES.
- ② 適合ターミナル:50397/50398,505607/505608 シリーズ。
APPLICABLE TERMINAL: 50397/50398,505607/505608 SERIES.
- 3. 材質 : POLYESTER(PBT),UL94V-0
MATERIAL:POLYESTER(PBT),UL94V-0
色 : 茶
COLOR: BROWN
- 4. コネクタの取扱いについては、AS-504693-001/002を参照。
PLEASE REFER TO AS-504693-001/002.



16.5	21.9	6	5046950607	5046950*07
13.2	18.6	5	5046950507	
9.9	15.3	4	5046950407	
6.6	12.0	3	5046950307	
3.3	8.7	2	5046950207	
(B)	A	極数 CKT.	BAG PACKAGE オーダー番号 ORDER NO.	MODEL NO.

THIS DRAWING CONTAINS INFORMATION THAT IS PROPRIETARY TO MOLEX ELECTRONIC TECHNOLOGIES, LLC AND SHOULD NOT BE USED WITHOUT WRITTEN PERMISSION		CURRENT REV DESC:		molex	
DIMENSION UNITS	SCALE	EC NO: 639290			
mm	5:1	DRWN: KYAMADA02 2020/06/01		CP 3.3 W/W RETAINER 2-6CKT	
GENERAL TOLERANCES (UNLESS SPECIFIED)		CHK'D: AIDA 2020/07/15		PRODUCT CUSTOMER DRAWING	
ANGULAR TOL	± 3.0°	APPR:		DOCUMENT NUMBER	
4 PLACES	± 0.2	INITIAL REVISION:		5046950000	
3 PLACES	± 0.2	DRWN: QHE31 2016/11/04		DOC TYPE	
2 PLACES	± 0.2	APPR: TKANEKO 2017/02/13		PSD	
1 PLACE	± 0.2	SERIES		000	
0 PLACES	± 0.2	MATERIAL NUMBER		C	
DRAFT WHERE APPLICABLE MUST REMAIN WITHIN DIMENSIONS		THIRD ANGLE PROJECTION	DRAWING	CUSTOMER	SHEET NUMBER
			A3-SIZE	GENERAL	1 OF 1