



产品编号 : [5051510201](#)

Product Description : DuraClik TPA Wire-to-Board Receptacle Housing, 2 Circuits, White

系列号 : 505151

状态 : Active

Product Category : Connector Housings



---

## 文件和资源

### 图纸

[图纸 5051510201\\_sd.pdf](#)

### 3D 模型和设计文件

[3D模型 5051510201\\_stp.zip](#)

### 规格

[应用规格 AS-505151-002-001.pdf](#)

[应用规格 AS-505151-001-001.pdf](#)

[包装规格 5051519200-200.pdf](#)


[产品规格 5051510002-000.pdf](#)

[产品规格 PS-505151-001-001.pdf](#)

---

## 产物环境合规

### 合规

GADSL/IMDS	Compliant
China RoHS	
EU ELV	Compliant per 2000/53/EC
Low-Halogen Status	Low-Halogen per IEC 61249-2-21
REACH SVHC	Not Contained per D(2023)3788-DC (14 Jun 2023)
EU RoHS	Compliant per EU 2015/863

### [多部分产品合规性声明](#)

- Eu RoHS
- REACH SVHC
- Low-Halogen

### [多部分行业合规性文件](#)

- IPC 1752A Class C
- IPC 1752A Class D
- Molex Product Compliance Declaration
- IEC-62474
- chemSHERPA (xml)

欧盟 RoHS 合格证书

## 产品详情

### 常规

状态	活动
类别	Connector Housings
系列	505151
说明	DuraClik TPA Wire-to-Board Receptacle Housing, 2 Circuits, White
应用	Automotive, Signal, Wire-to-Board
产品系列	DuraClik Connector System
产品名称	DuraClik
UPC	889056634854

### 机构

UL	E29179
----	--------

### 物理

电路数（最多）	2
颜色-树脂	白色
阻燃性	94V-2
性别	Receptacle
符合灼热丝规范	否
插接极性	无
锁定插接部位	是
材料 - 树脂	Polyester Alloy
净重	139.000/mg
行数	1
包装形式	Bag
面板安装式	否

间距 - 插配接口	2.00mm
间距 - 终端界面	2.00mm
有极性的插配件	是
端口	1
可堆叠的	否
运行温度范围	-40° to +125° C

---

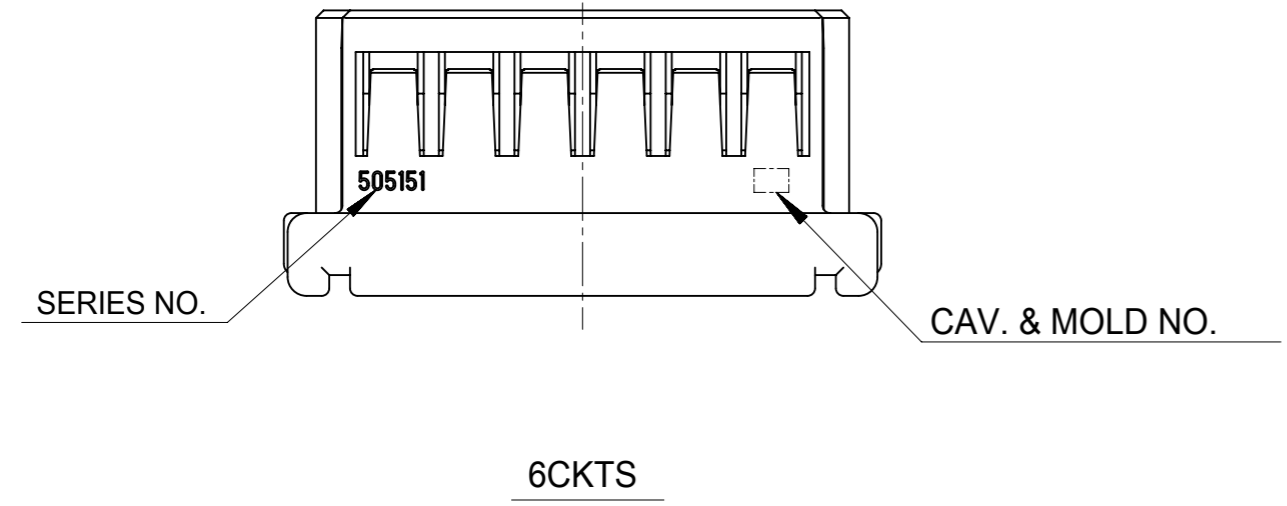
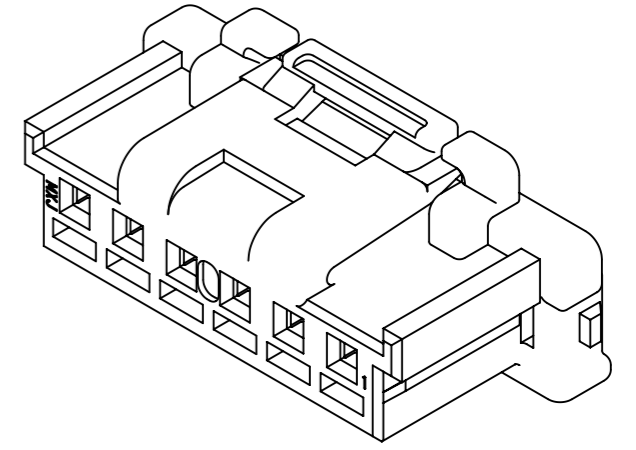
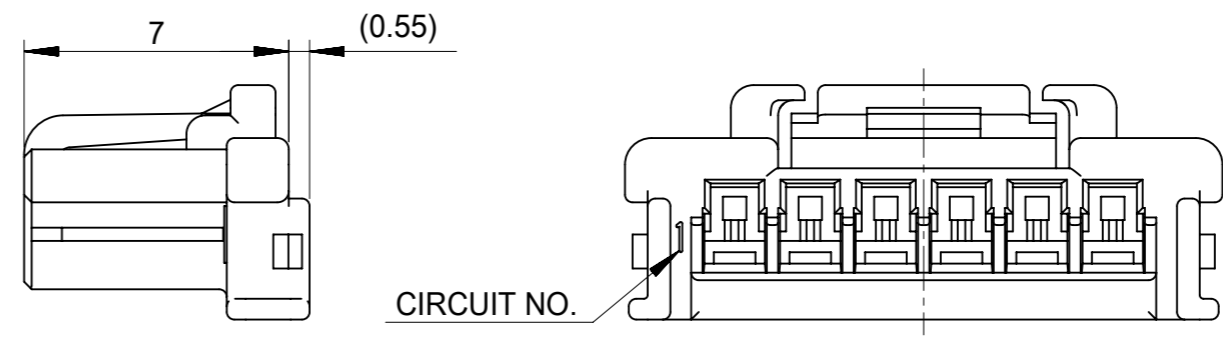
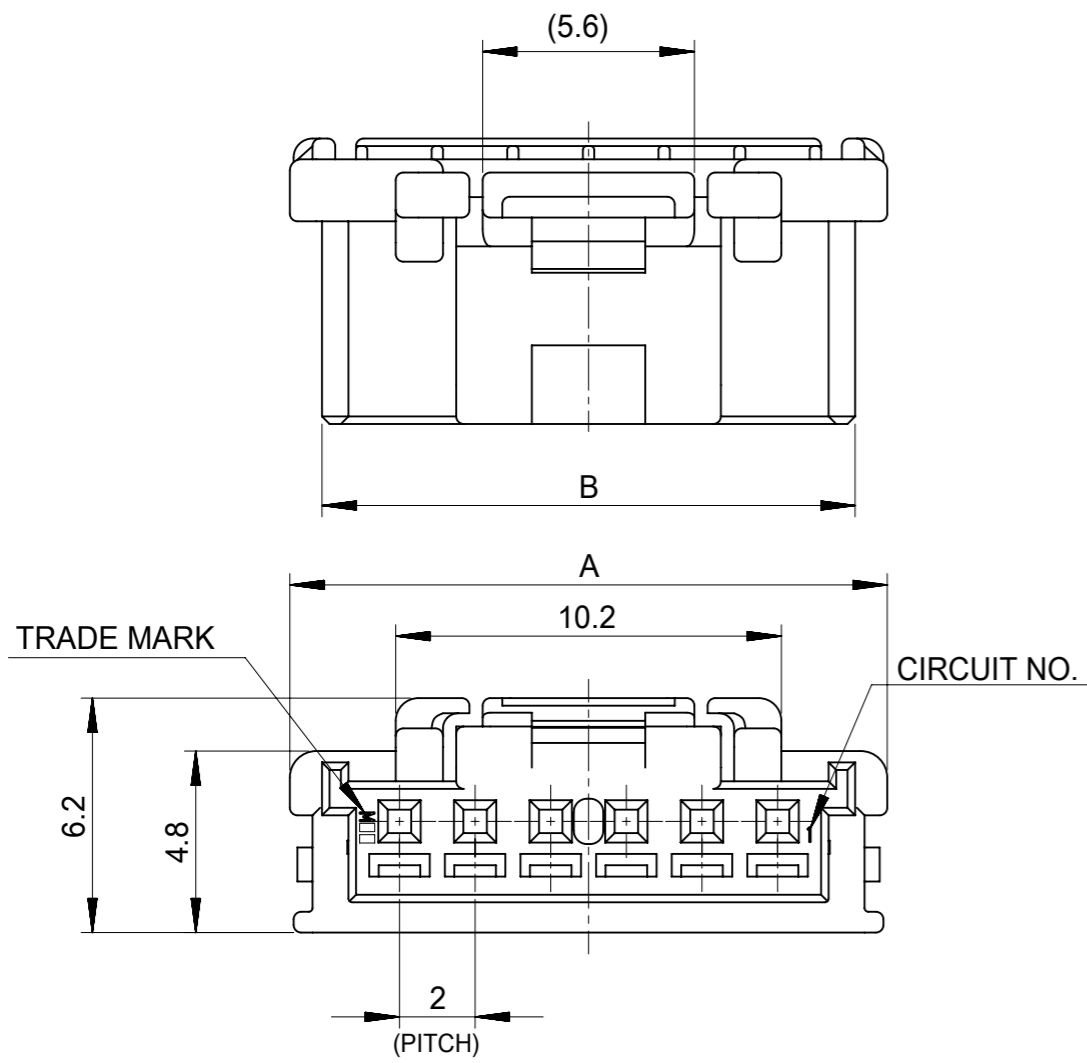
## 可配插/可连接使用的产品

### 可配插部件

描述	产品编号
DuraClik Right-Angle Single Row Headers	<u>502352</u>
DuraClik Vertical Single Row Headers	<u>560020</u>

### 可连接使用部件

描述	产品编号
DuraClik 2-Way Terminal Position Assurance (TPA) Retainers	<u>505152</u>
DuraClik TPA Female Crimp Terminals	<u>505153</u>
DuraClik TPA Female Crimp Terminals	<u>505487</u>



NOTES

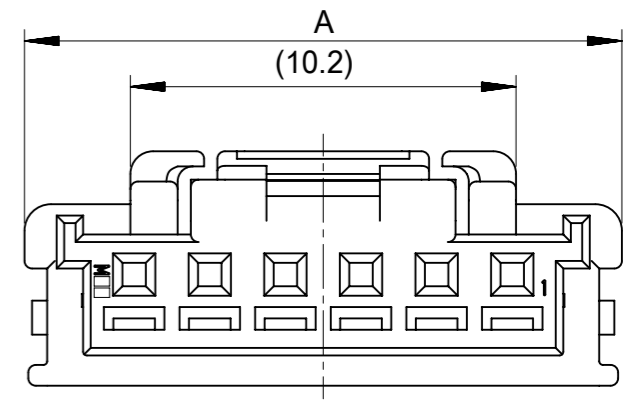
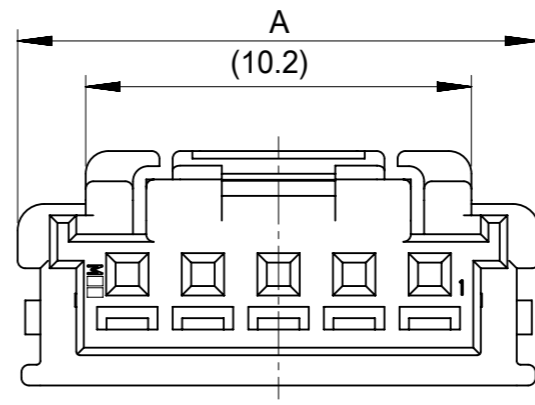
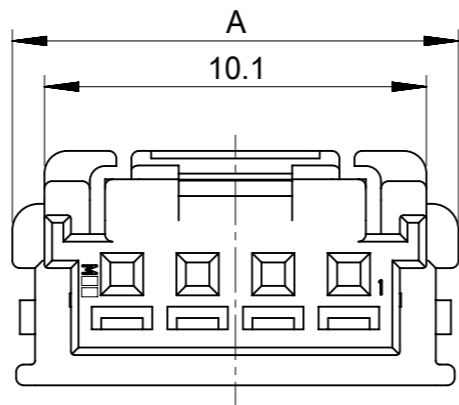
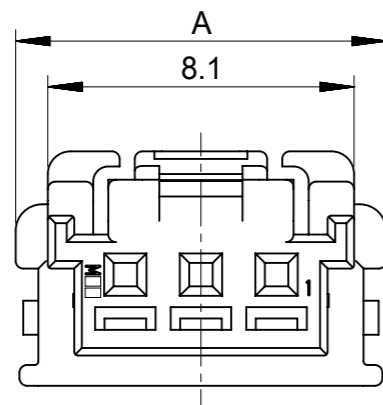
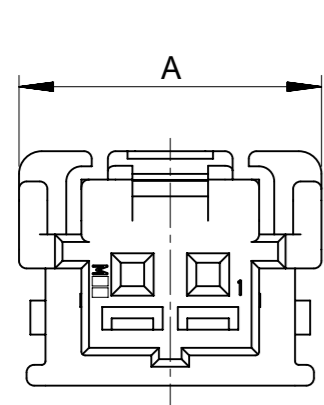
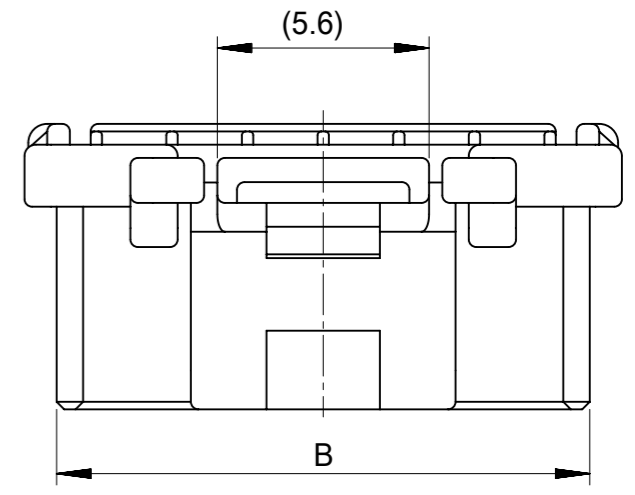
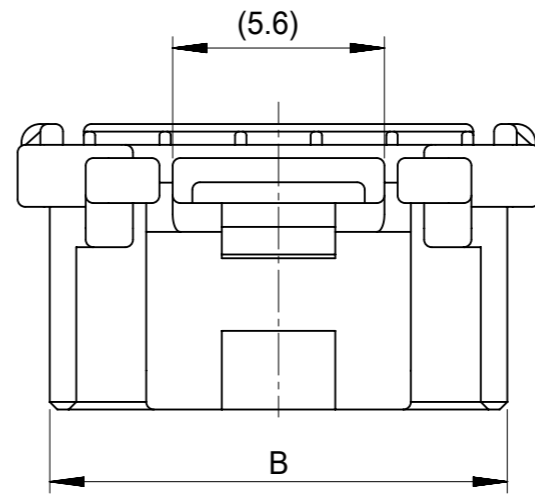
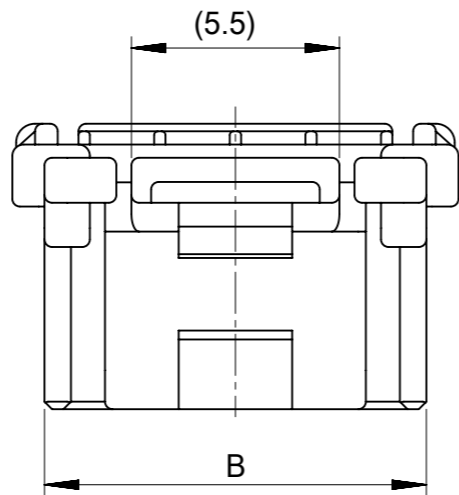
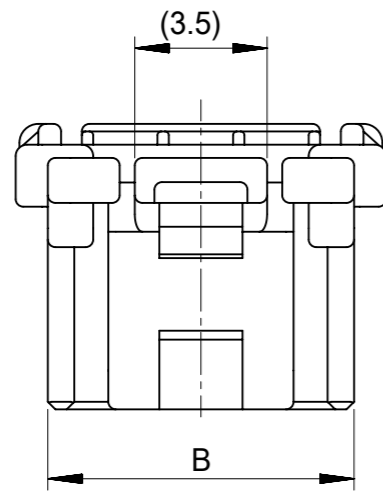
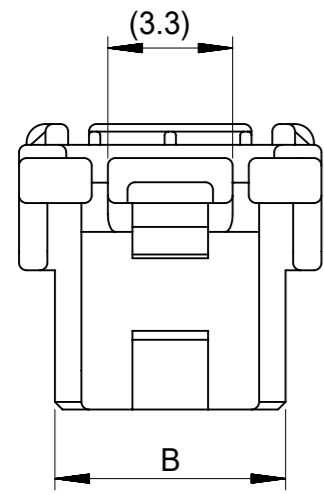
- 1.材料 : PA,UL94V-2  
MATERIAL:PA,UL94V-2
- 2.色 : 黒、白、詳細はシート4の表を参照  
COLOR:BLACK,WHITE, SEE CHART OF SHEET4
- 3.嵌合端子 : 505153,505487シリーズ  
APPLICABLE TERMINAL:505153,505487 SERIES
- 4.嵌合相手 : 502352,560020シリーズ  
MATE WITH: 502352, 560020 SERIES
- 5.適合リテーナー : 505152シリーズ  
APPLICABLE RETAINER: 505152 SERIES
- 6.ELV 及びRoHS適合  
ELV AND RoHS COMPLIANT

34	34	32.1	33.8	505151150*	15
32	32	30.1	31.8	505151140*	14
30	30	28.1	29.8	505151130*	13
28	28	26.1	27.8	505151120*	12
26	26	24.1	25.8	505151110*	11
24	24	22.1	23.8	505151100*	10
22	22	20.1	21.8	505151090*	9
22.6	20	18.1	19.8	505151080*	8
20.6	18	16.1	17.8	505151070*	7
18.6	16	14.1	15.8	505151060*	6
16.6	14	12.1	13.8	505151050*	5
14.6	12	10.1	11.8	505151040*	4
12.6	10	8.1	9.8	505151030*	3
10.9	8	6.1	8.0	505151020*	2
D	C	B	A	MATERIAL NO.	CIRCUIT

THIS DRAWING CONTAINS INFORMATION THAT IS PROPRIETARY TO MOLEX ELECTRONIC TECHNOLOGIES, LLC AND SHOULD NOT BE USED WITHOUT WRITTEN PERMISSION

DIMENSION UNITS	SCALE	CURRENT REV DESC:	
mm	5:1		
GENERAL TOLERANCES (UNLESS SPECIFIED)		EC NO: 175347	
ANGULAR TOL ± 3.0°		DRWN: TMORISHITA	2018/04/20
4 PLACES ± 0.2		CHK'D: HKOMATSU	2018/04/20
3 PLACES ± 0.25		APPR: TOSADA	2018/04/20
2 PLACES ± 0.3		INITIAL REVISION:	
1 PLACE ± 0.1		DRWN: MIKEDA01	2014/03/03
0 PLACES ±		APPR: NUKITA	2014/03/28
DRAFT WHERE APPLICABLE MUST REMAIN WITHIN DIMENSIONS		THIRD ANGLE PROJECTION	DRAWING
		SERIES	MATERIAL NUMBER
		A3-SIZE	505151
		CUSTOMER	SEE SHEET 4
		DOC TYPE	PSD
		DOC PART	001
		REVISION	E1
		SHEET NUMBER	1 OF 4

0.25 UNDER	±0.03
0.25 OVER 0.5 UNDER	±0.05
0.5 OVER 1.0 UNDER	±0.1
1.0 OVER 10 UNDER	±0.2
10 OVER 30 UNDER	±0.25
30 OVER	±0.3



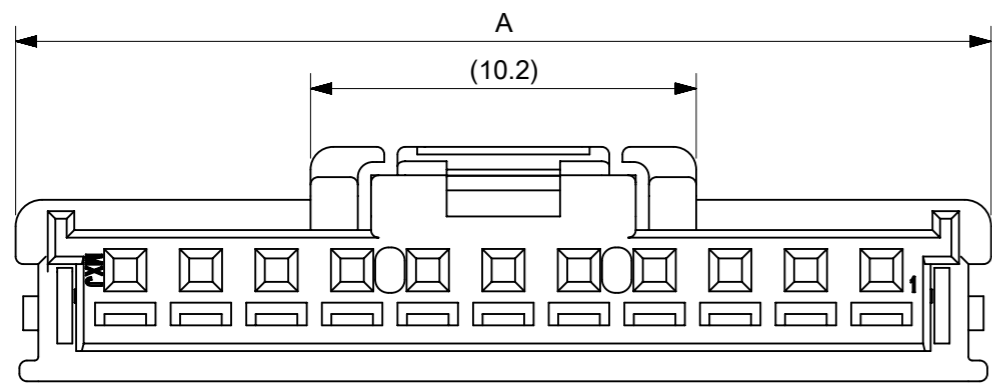
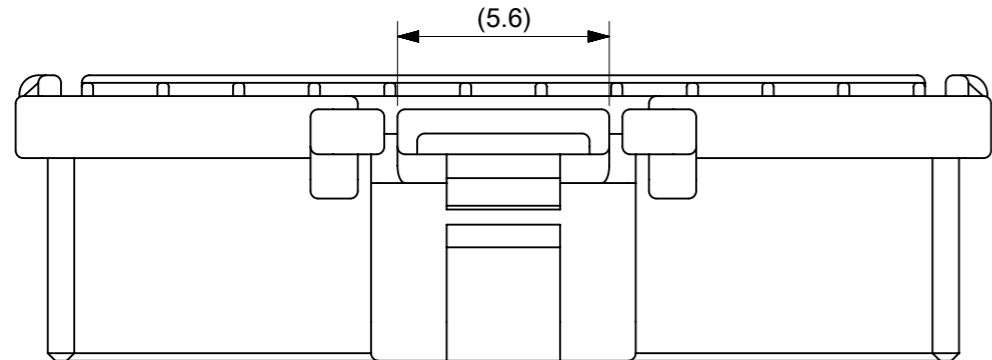
2 CKTS

3 CKTS

4 CKTS

5 CKTS

6-10 CKTS



11 CKT OR MORE

THIS DRAWING CONTAINS INFORMATION THAT IS PROPRIETARY TO MOLEX ELECTRONIC TECHNOLOGIES, LLC AND SHOULD NOT BE USED WITHOUT WRITTEN PERMISSION

DIMENSION UNITS	SCALE
mm	5:1

GENERAL TOLERANCES (UNLESS SPECIFIED)		
0.25 UNDER	±0.03	
0.25 OVER 0.5 UNDER	±0.05	
0.5 OVER 1.0 UNDER	±0.1	
1.0 OVER 10 UNDER	±0.2	
10 OVER 30 UNDER	±0.25	
30 OVER	±0.3	

CURRENT REV DESC:	
EC NO: 175347	2018/04/20
DRWN: TMORISHITA	2018/04/20
CHK'D: HKOMATSU	2018/04/20
APPR: TOSADA	2018/04/20
INITIAL REVISION:	
DRWN: MIKEDA01	2014/03/03
APPR: NUKITA	2014/03/28

**molex**

2.0MM PITCH W/B CONN.

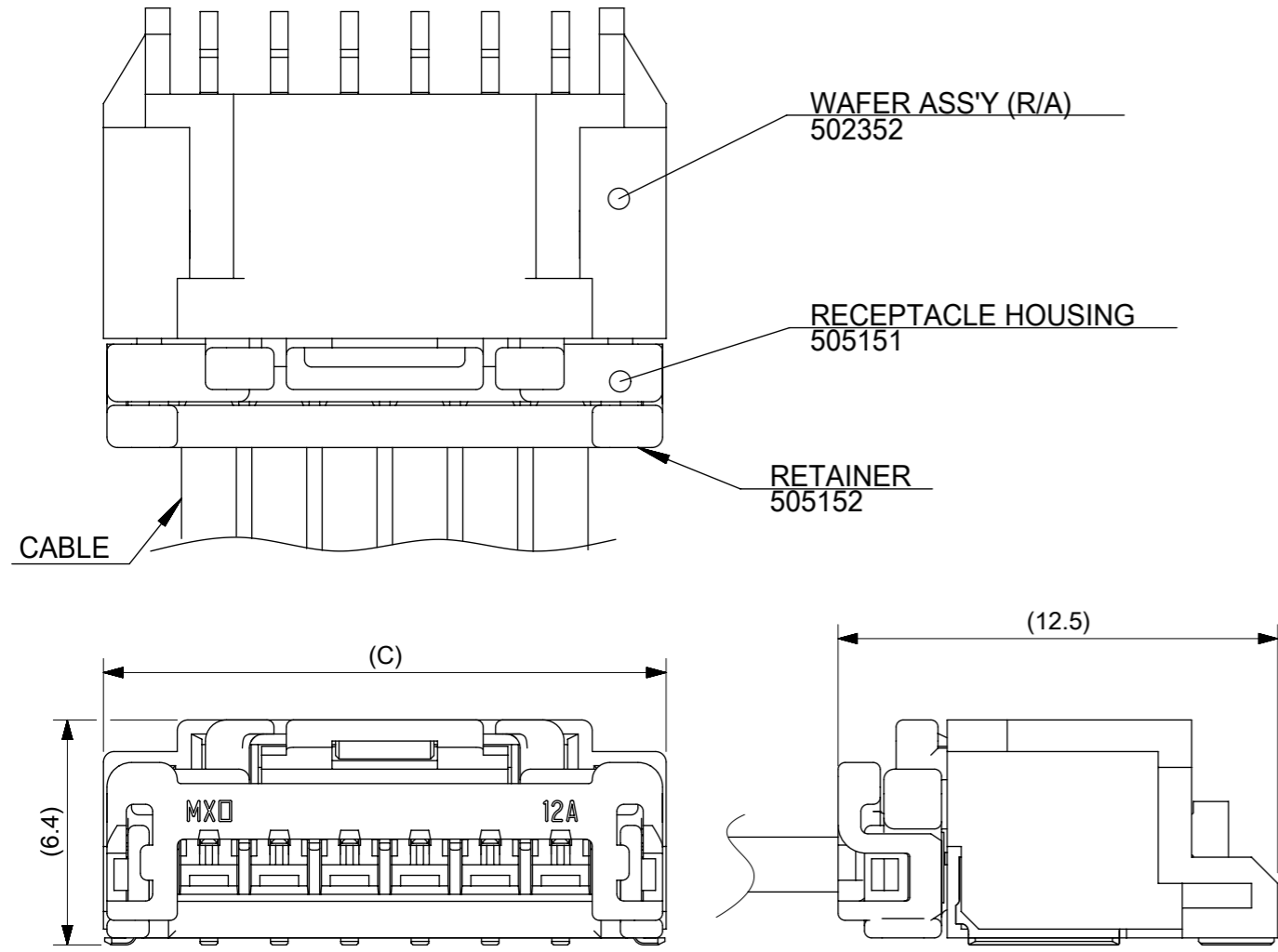
PRODUCT CUSTOMER DRAWING

DOCUMENT NUMBER	DOC TYPE	DOC PART	REVISION
SD-505151-001	PSD	001	E1

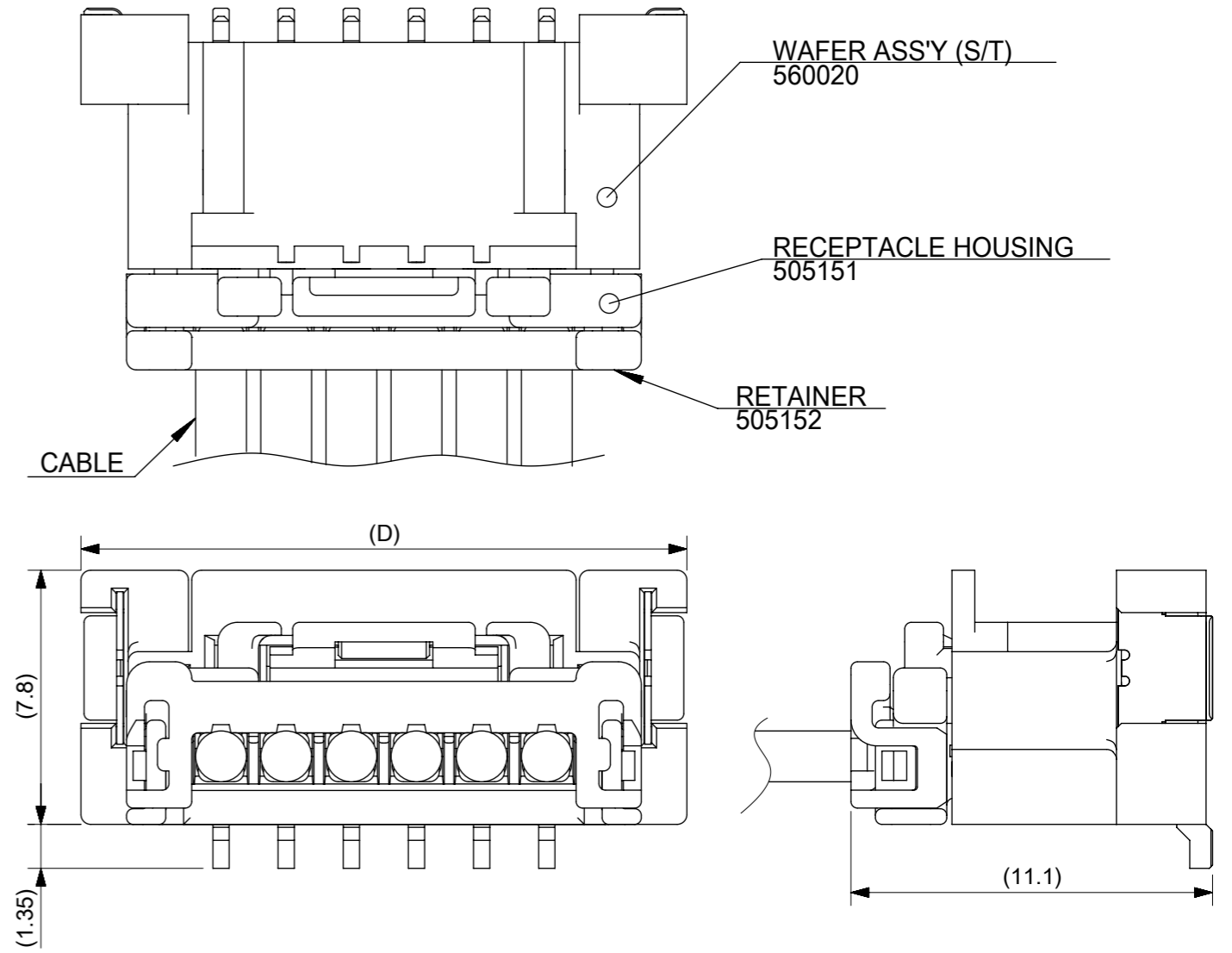
MATERIAL NUMBER	CUSTOMER	SHEET NUMBER
SEE SHEET 4	GENERAL MARKET	2 OF 4

# 嵌合図

## Right Angle: 502352 series



## Straight: 560020 series



THIS DRAWING CONTAINS INFORMATION THAT IS PROPRIETARY TO MOLEX ELECTRONIC TECHNOLOGIES, LLC AND SHOULD NOT BE USED WITHOUT WRITTEN PERMISSION

DIMENSION UNITS	SCALE	CURRENT REV DESC:		<b>molex</b>		
mm	5:1	EC NO: 175347				
GENERAL TOLERANCES (UNLESS SPECIFIED)		DRWN: TMORISHITA 2018/04/20		PRODUCT CUSTOMER DRAWING		
ANGULAR TOL ± 3.0°		CHK'D: HKOMATSU 2018/04/20		DOCUMENT NUMBER		
4 PLACES ± 0.2		APPR: TOSADA 2018/04/20		SD-505151-001		DOC TYPE
3 PLACES ± 0.25		INITIAL REVISION:		PSD		DOC PART
2 PLACES ± 0.3		DRWN: MIKEDA01 2014/03/03		001		REVISION
1 PLACE ± 0.1		APPR: NUKITA 2014/03/28		E1		
0 PLACES ±		DRAFT WHERE APPLICABLE MUST REMAIN WITHIN DIMENSIONS		SERIES		SHEET NUMBER
THIRD ANGLE PROJECTION		DRAWING		MATERIAL NUMBER		CUSTOMER
A3-SIZE		505151		SEE SHEET 4		GENERAL MARKET

0.25 UNDER	±0.03
0.25 OVER 0.5 UNDER	±0.05
0.5 OVER 1.0 UNDER	±0.1
1.0 OVER 10 UNDER	±0.2
10 OVER 30 UNDER	±0.25
30 OVER	±0.3

9 8 7 6 5 4 3 2 1

E

E

D

D

C

C

B

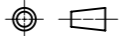
B

A

A

WHITE	BLACK	HSG COLOR
5051511501	5051511500	15
5051511401	5051511400	14
5051511301	5051511300	13
5051511201	5051511200	12
5051511101	5051511100	11
5051511001	5051511000	10
5051510901	5051510900	9
5051510801	5051510800	8
5051510701	5051510700	7
5051510601	5051510600	6
5051510501	5051510500	5
5051510401	5051510400	4
5051510301	5051510300	3
5051510201	5051510200	2
MATERIAL NO.	MATERIAL NO.	CIRCUIT

THIS DRAWING CONTAINS INFORMATION THAT IS PROPRIETARY TO MOLEX ELECTRONIC TECHNOLOGIES, LLC AND SHOULD NOT BE USED WITHOUT WRITTEN PERMISSION

<table border="1"> <tr> <th>DIMENSION UNITS</th> <th>SCALE</th> </tr> <tr> <td>mm</td> <td>5:1</td> </tr> </table>		DIMENSION UNITS	SCALE	mm	5:1	<p>CURRENT REV DESC:</p> <p>EC NO: 175347</p> <p>DRWN: TMORISHITA 2018/04/20</p> <p>CHK'D: HKOMATSU 2018/04/20</p> <p>APPR: TOSADA 2018/04/20</p>		<h1 style="text-align: center;">molex</h1> <p style="text-align: center;">2.0MM PITCH W/B CONN.</p>																		
DIMENSION UNITS	SCALE																									
mm	5:1																									
<p>GENERAL TOLERANCES (UNLESS SPECIFIED)</p> <table border="1"> <tr> <td>0.25 UNDER</td> <td>±0.03</td> </tr> <tr> <td>0.25 OVER 0.5 UNDER</td> <td>±0.05</td> </tr> <tr> <td>0.5 OVER 1.0 UNDER</td> <td>±0.1</td> </tr> <tr> <td>1.0 OVER 10 UNDER</td> <td>±0.2</td> </tr> <tr> <td>10 OVER 30 UNDER</td> <td>±0.25</td> </tr> <tr> <td>30 OVER</td> <td>±0.3</td> </tr> </table>		0.25 UNDER	±0.03	0.25 OVER 0.5 UNDER	±0.05	0.5 OVER 1.0 UNDER	±0.1	1.0 OVER 10 UNDER	±0.2	10 OVER 30 UNDER	±0.25	30 OVER	±0.3	<p>INITIAL REVISION:</p> <p>DRWN: MIKEDA01 2014/03/03</p> <p>APPR: NUKITA 2014/03/28</p>		<p>PRODUCT CUSTOMER DRAWING</p> <table border="1"> <tr> <th>DOCUMENT NUMBER</th> <th>DOC TYPE</th> <th>DOC PART</th> <th>REVISION</th> </tr> <tr> <td>SD-505151-001</td> <td>PSD</td> <td>001</td> <td>E1</td> </tr> </table>			DOCUMENT NUMBER	DOC TYPE	DOC PART	REVISION	SD-505151-001	PSD	001	E1
0.25 UNDER	±0.03																									
0.25 OVER 0.5 UNDER	±0.05																									
0.5 OVER 1.0 UNDER	±0.1																									
1.0 OVER 10 UNDER	±0.2																									
10 OVER 30 UNDER	±0.25																									
30 OVER	±0.3																									
DOCUMENT NUMBER	DOC TYPE	DOC PART	REVISION																							
SD-505151-001	PSD	001	E1																							
<p>DRAFT WHERE APPLICABLE MUST REMAIN WITHIN DIMENSIONS</p>		<p>THIRD ANGLE PROJECTION</p> 	<p>DRAWING</p> <p>A3-SIZE</p>	<p>SERIES</p> <p>505151</p>	<p>MATERIAL NUMBER</p> <p>SEE SHEET 4</p>	<p>CUSTOMER</p> <p>GENERAL MARKET</p>	<p>SHEET NUMBER</p> <p>4 OF 4</p>																			

DOCUMENT STATUS	P1	RELEASE DATE	2018/04/20 09:17:02
-----------------	----	--------------	---------------------

9 8 7 6 5 4 3 2 1

FORMAT: master-b-prod-A3  
REVISION: 11  
DATE: 2018/01/18