



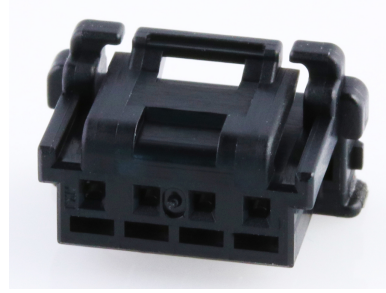
产品编号：[5051510400](#)

Product Description：DuraClik TPA Wire-to-Board Receptacle Housing, 4 Circuits, Black

系列号：505151

状态：Active

Product Category：Connector Housings



文件和资源

图纸

[图纸 5051510400_sd.pdf](#)

3D 模型和设计文件

[3D模型 5051510400_stp.zip](#)

规格

[应用规格 AS-505151-002-001.pdf](#)

[应用规格 AS-505151-001-001.pdf](#)

[包装规格 5051519200-200.pdf](#)

[产品规格 5051510002-000.pdf](#)

[产品规格 PS-505151-001-001.pdf](#)

产物环境合规

合规

GADSL/IMDS	Compliant
China RoHS	
EU ELV	Compliant per 2000/53/EC
Low-Halogen Status	Low-Halogen per IEC 61249-2-21
REACH SVHC	Not Contained per D(2023)3788-DC (14 Jun 2023)
EU RoHS	Compliant per EU 2015/863

[多部分产品合规性声明](#)

- Eu RoHS
- REACH SVHC
- Low-Halogen

[多部分行业合规性文件](#)

- IPC 1752A Class C
- IPC 1752A Class D
- Molex Product Compliance Declaration
- IEC-62474
- chemSHERPA (xml)

欧盟 RoHS 合格证书

产品详情

常规

状态	活动
类别	Connector Housings
系列	505151
说明	DuraClik TPA Wire-to-Board Receptacle Housing, 4 Circuits, Black
应用	Automotive, Signal, Wire-to-Board
产品系列	DuraClik Connector System
产品名称	DuraClik
UPC	887191733722

机构

UL	E29179
----	--------

物理

电路数（最多）	4
颜色-树脂	黑色
阻燃性	94V-2
性别	Receptacle
符合灼热丝规范	否
插接极性	无
锁定插接部位	是
材料 - 树脂	Polyester Alloy
净重	207.900/mg
行数	1
包装形式	Bag
面板安装式	否

间距 - 插配接口	2.00mm
间距 - 终端界面	2.00mm
有极性的插配件	是
端口	1
可堆叠的	否
运行温度范围	-40° to +125° C

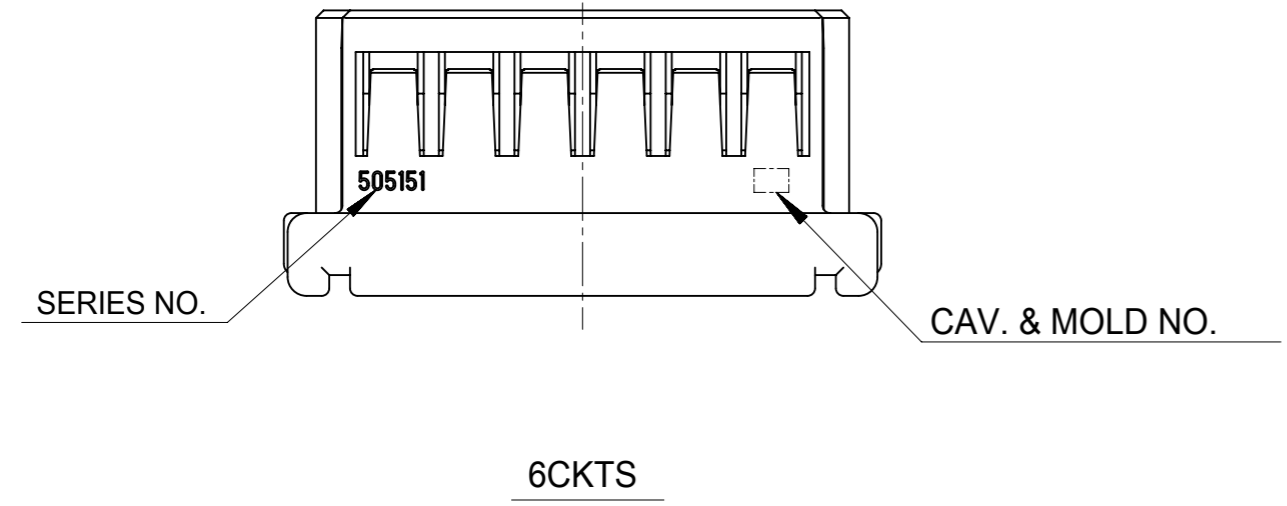
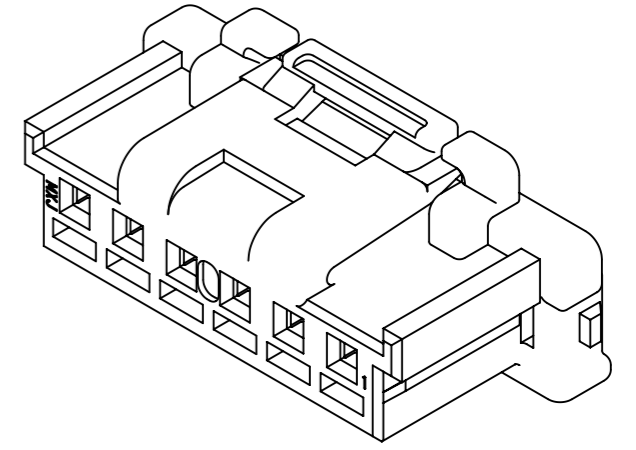
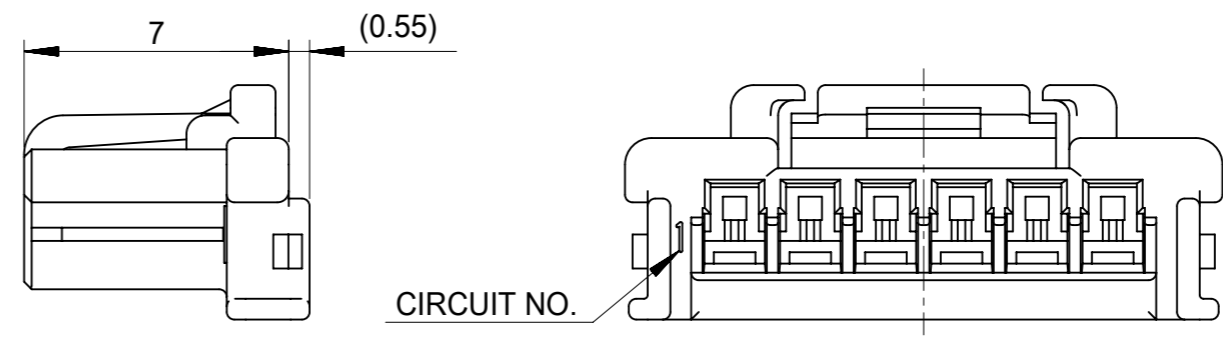
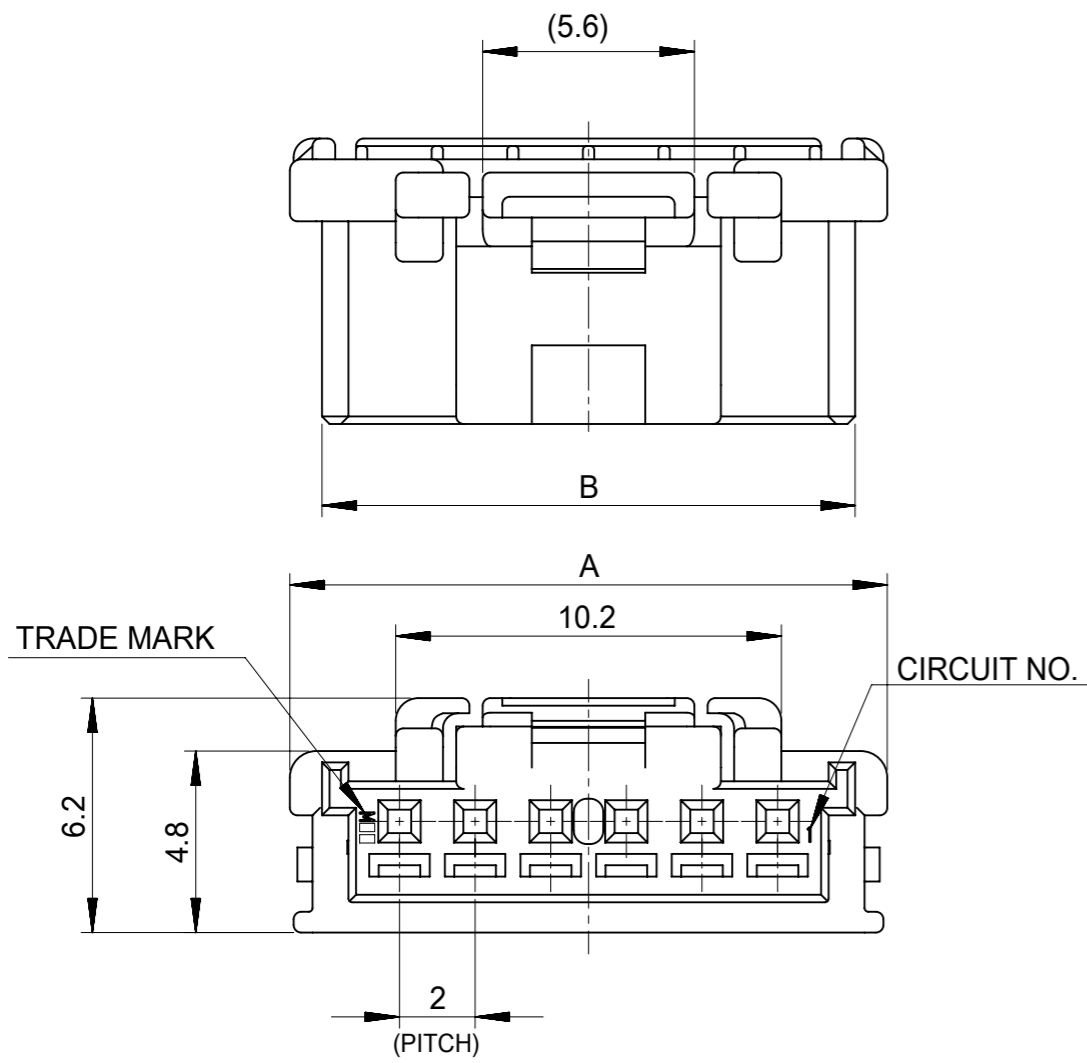
可配插/可连接使用的产品

可配插部件

描述	产品编号
DuraClik Right-Angle Single Row Headers	<u>502352</u>
DuraClik Vertical Single Row Headers	<u>560020</u>

可连接使用部件

描述	产品编号
DuraClik 2-Way Terminal Position Assurance (TPA) Retainers	<u>505152</u>
DuraClik TPA Female Crimp Terminals	<u>505153</u>
DuraClik TPA Female Crimp Terminals	<u>505487</u>



NOTES

- 1.材料 : PA,UL94V-2
MATERIAL:PA,UL94V-2
- 2.色 : 黒、白、詳細はシート4の表を参照
COLOR:BLACK,WHITE, SEE CHART OF SHEET4
- 3.嵌合端子 : 505153,505487シリーズ
APPLICABLE TERMINAL:505153,505487 SERIES
- 4.嵌合相手 : 502352,560020シリーズ
MATE WITH: 502352, 560020 SERIES
- 5.適合リテーナー : 505152シリーズ
APPLICABLE RETAINER: 505152 SERIES
- 6.ELV 及びRoHS適合
ELV AND RoHS COMPLIANT

34	34	32.1	33.8	505151150*	15
32	32	30.1	31.8	505151140*	14
30	30	28.1	29.8	505151130*	13
28	28	26.1	27.8	505151120*	12
26	26	24.1	25.8	505151110*	11
24	24	22.1	23.8	505151100*	10
22	22	20.1	21.8	505151090*	9
22.6	20	18.1	19.8	505151080*	8
20.6	18	16.1	17.8	505151070*	7
18.6	16	14.1	15.8	505151060*	6
16.6	14	12.1	13.8	505151050*	5
14.6	12	10.1	11.8	505151040*	4
12.6	10	8.1	9.8	505151030*	3
10.9	8	6.1	8.0	505151020*	2
D	C	B	A	MATERIAL NO.	CIRCUIT

THIS DRAWING CONTAINS INFORMATION THAT IS PROPRIETARY TO MOLEX ELECTRONIC TECHNOLOGIES, LLC AND SHOULD NOT BE USED WITHOUT WRITTEN PERMISSION

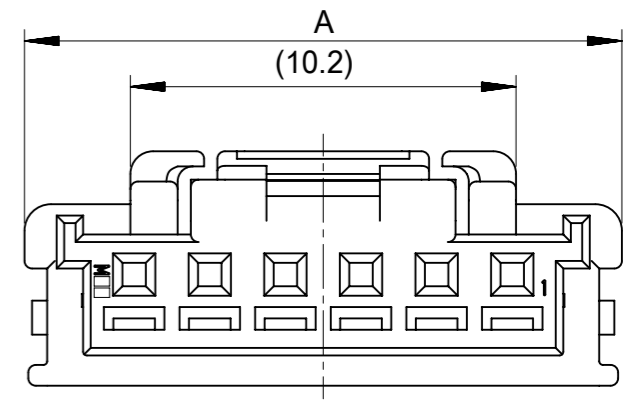
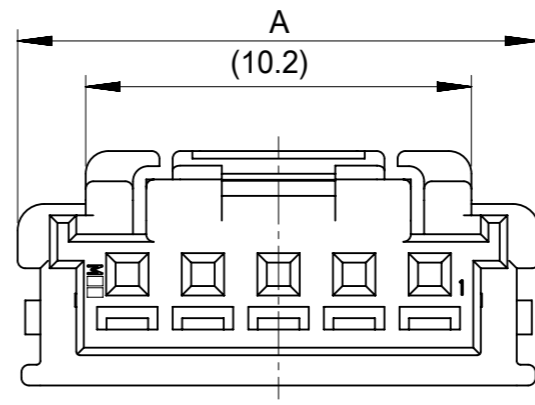
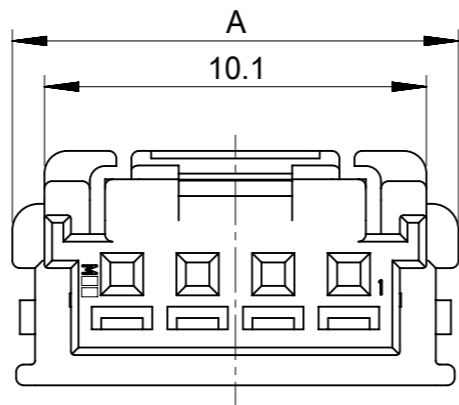
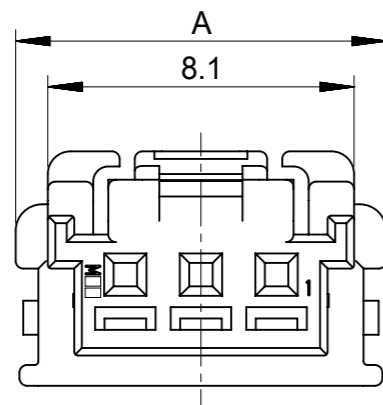
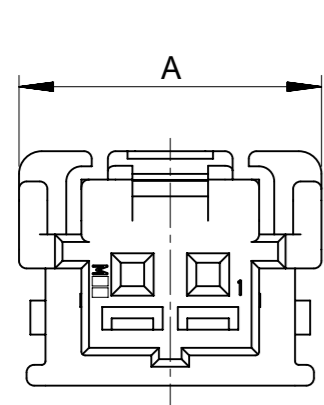
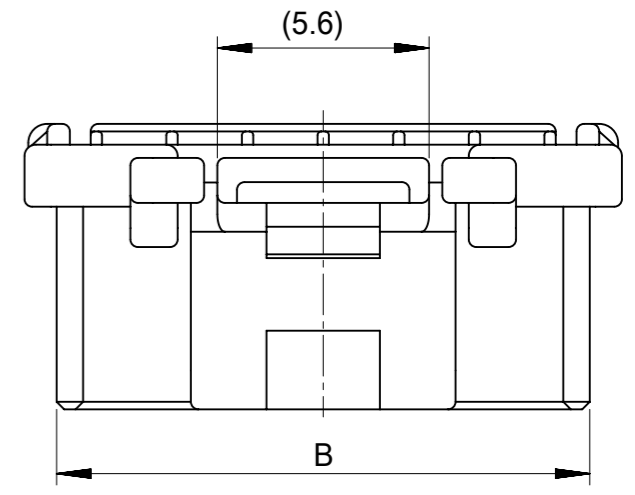
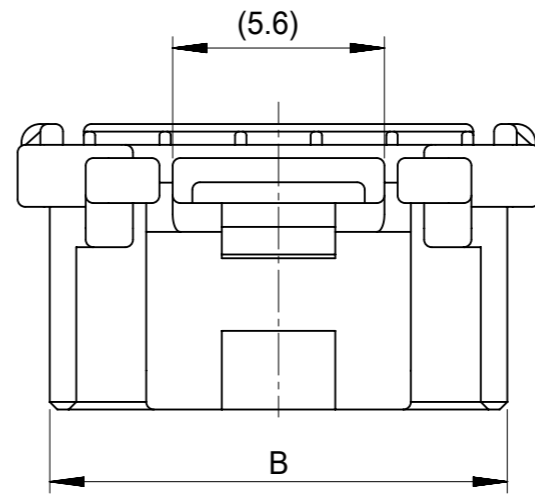
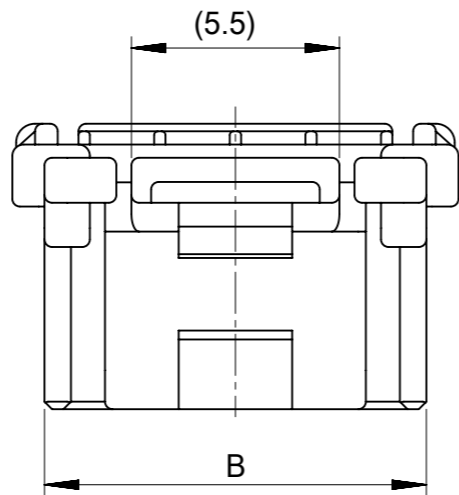
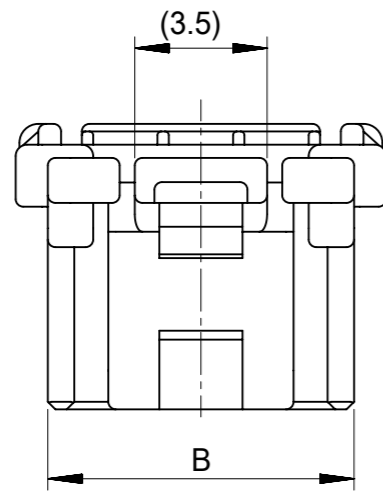
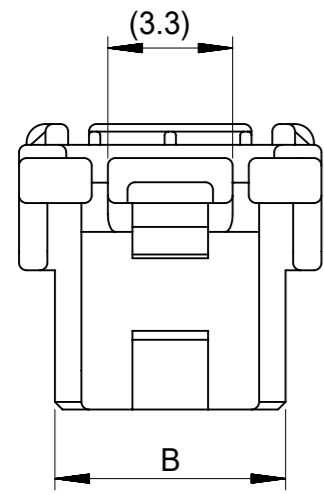
DIMENSION UNITS	SCALE	CURRENT REV DESC:	
mm	5:1		
GENERAL TOLERANCES (UNLESS SPECIFIED)		EC NO: 175347	
ANGULAR TOL ± 3.0°		DRWN: TMORISHITA	2018/04/20
4 PLACES ± 0.2		CHK'D: HKOMATSU	2018/04/20
3 PLACES ± 0.25		APPR: TOSADA	2018/04/20
2 PLACES ± 0.3		INITIAL REVISION:	
1 PLACE ± 0.1		DRWN: MIKEDA01	2014/03/03
0 PLACES ±		APPR: NUKITA	2014/03/28
DRAFT WHERE APPLICABLE MUST REMAIN WITHIN DIMENSIONS		THIRD ANGLE PROJECTION	DRAWING
		A3-SIZE	SERIES
		505151	MATERIAL NUMBER
		SEE SHEET 4	CUSTOMER
		GENERAL MARKET	SHEET NUMBER
		1 OF 4	

molex

2.0MM PITCH W/B CONN.

PRODUCT CUSTOMER DRAWING

DOCUMENT NUMBER	DOC TYPE	DOC PART	REVISION
SD-505151-001	PSD	001	E1



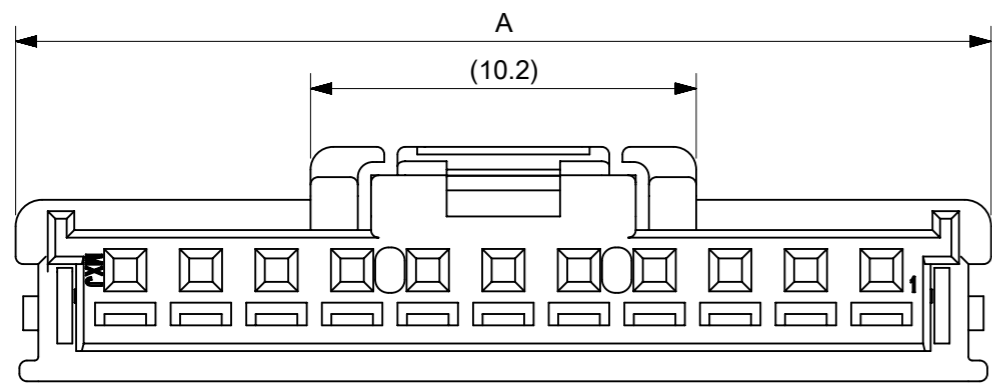
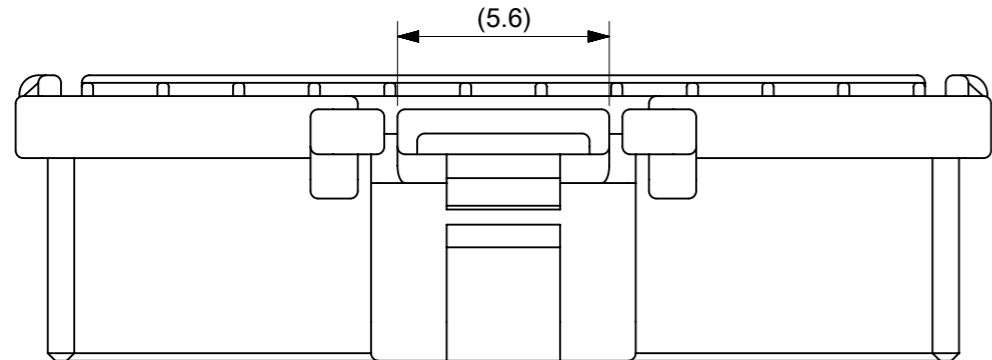
2 CKTS

3 CKTS

4 CKTS

5 CKTS

6-10 CKTS



11 CKT OR MORE

THIS DRAWING CONTAINS INFORMATION THAT IS PROPRIETARY TO MOLEX ELECTRONIC TECHNOLOGIES, LLC AND SHOULD NOT BE USED WITHOUT WRITTEN PERMISSION

DIMENSION UNITS	SCALE
mm	5:1

GENERAL TOLERANCES (UNLESS SPECIFIED)		
0.25 UNDER	±0.03	
0.25 OVER 0.5 UNDER	±0.05	
0.5 OVER 1.0 UNDER	±0.1	
1.0 OVER 10 UNDER	±0.2	
10 OVER 30 UNDER	±0.25	
30 OVER	±0.3	

CURRENT REV DESC:	
EC NO: 175347	2018/04/20
DRWN: TMORISHITA	2018/04/20
CHK'D: HKOMATSU	2018/04/20
APPR: TOSADA	2018/04/20
INITIAL REVISION:	
DRWN: MIKEDA01	2014/03/03
APPR: NUKITA	2014/03/28

molex

2.0MM PITCH W/B CONN.

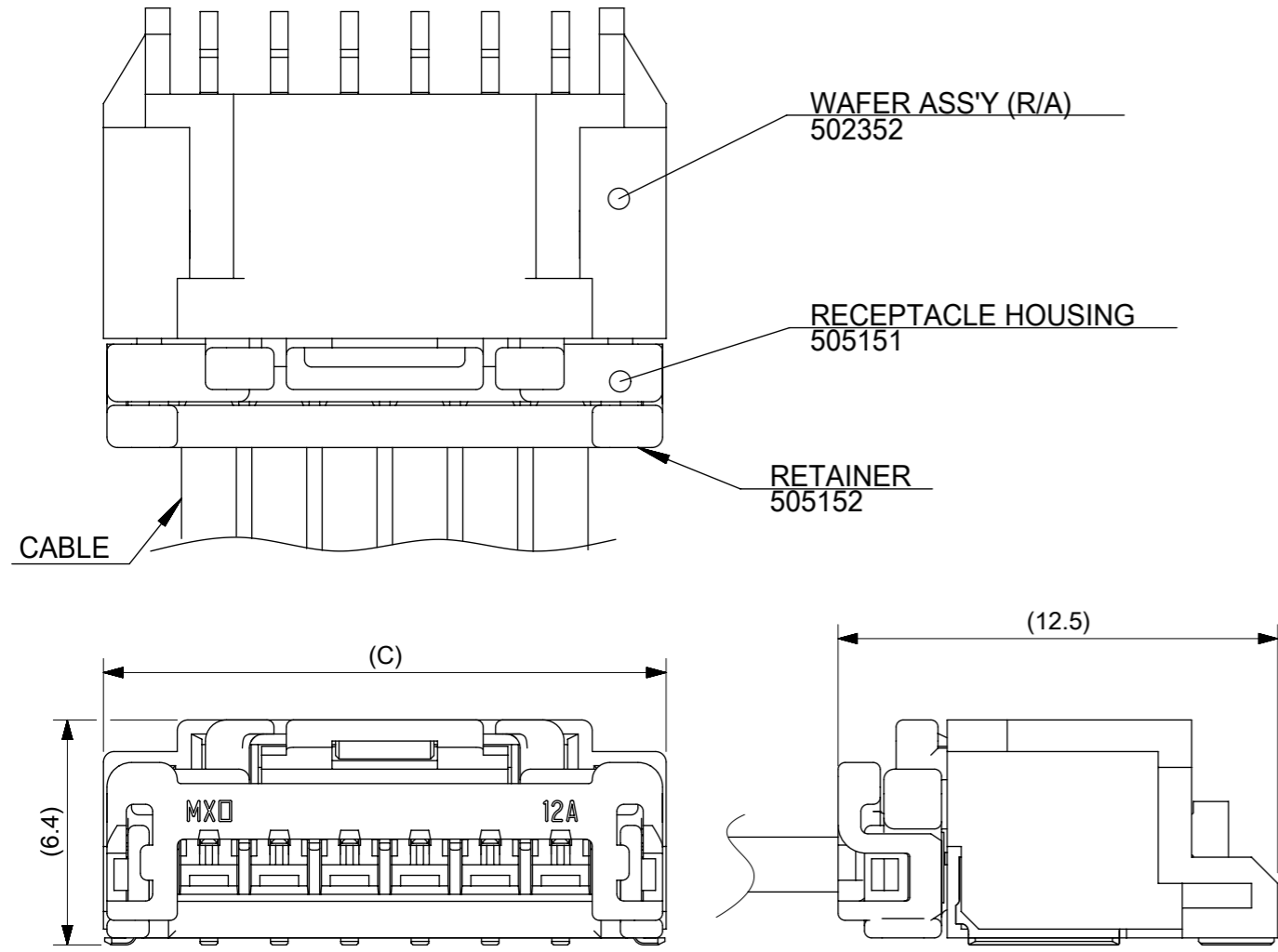
PRODUCT CUSTOMER DRAWING

DOCUMENT NUMBER	DOC TYPE	DOC PART	REVISION
SD-505151-001	PSD	001	E1

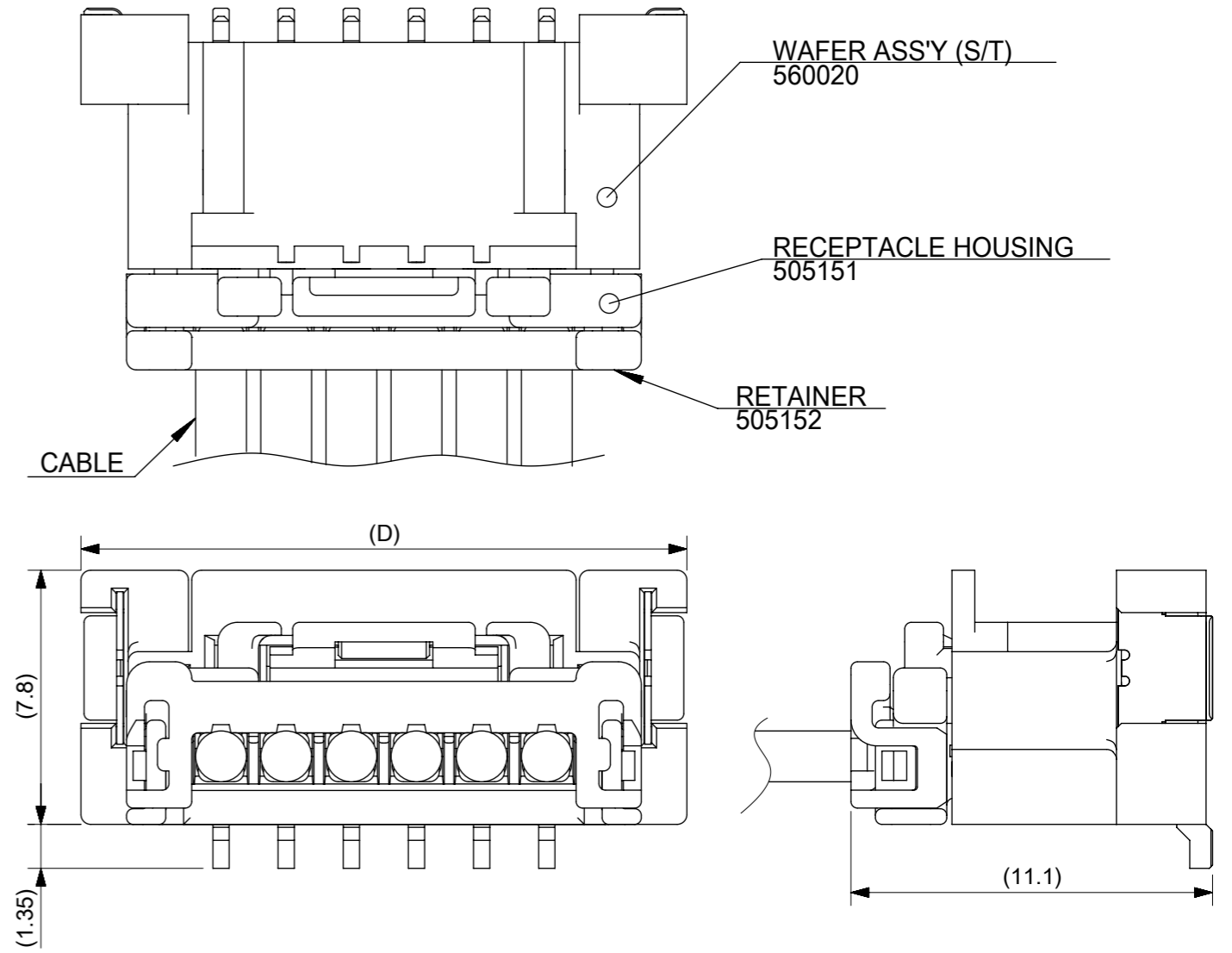
MATERIAL NUMBER	CUSTOMER	SHEET NUMBER
SEE SHEET 4	GENERAL MARKET	2 OF 4

嵌合図

Right Angle: 502352 series



Straight: 560020 series



THIS DRAWING CONTAINS INFORMATION THAT IS PROPRIETARY TO MOLEX ELECTRONIC TECHNOLOGIES, LLC AND SHOULD NOT BE USED WITHOUT WRITTEN PERMISSION

DIMENSION UNITS	SCALE	CURRENT REV DESC:		molex		
mm	5:1	EC NO: 175347				
GENERAL TOLERANCES (UNLESS SPECIFIED)		DRWN: TMORISHITA 2018/04/20		2.0MM PITCH W/B CONN.		
ANGULAR TOL ± 3.0°		CHK'D: HKOMATSU 2018/04/20		PRODUCT CUSTOMER DRAWING		
4 PLACES ± 0.2		APPR: TOSADA 2018/04/20		DOCUMENT NUMBER		
3 PLACES ± 0.25		INITIAL REVISION:		SD-505151-001		
2 PLACES ± 0.3		DRWN: MIKEDA01 2014/03/03		DOC TYPE		
1 PLACE ± 0.1		APPR: NUKITA 2014/03/28		PSD		
0 PLACES ±		DRAWING		DOC PART		
DRAFT WHERE APPLICABLE MUST REMAIN WITHIN DIMENSIONS		A3-SIZE		001		
THIRD ANGLE PROJECTION		SERIES		REVISION		
DRAWING		505151		E1		
SERIES		MATERIAL NUMBER		SHEET NUMBER		
505151		SEE SHEET 4		3 OF 4		
CUSTOMER		GENERAL MARKET				

0.25 UNDER	±0.03
0.25 OVER 0.5 UNDER	±0.05
0.5 OVER 1.0 UNDER	±0.1
1.0 OVER 10 UNDER	±0.2
10 OVER 30 UNDER	±0.25
30 OVER	±0.3

9 8 7 6 5 4 3 2 1

E

E

D

D

C

C

B

B

A

A

WHITE	BLACK	HSG COLOR
5051511501	5051511500	15
5051511401	5051511400	14
5051511301	5051511300	13
5051511201	5051511200	12
5051511101	5051511100	11
5051511001	5051511000	10
5051510901	5051510900	9
5051510801	5051510800	8
5051510701	5051510700	7
5051510601	5051510600	6
5051510501	5051510500	5
5051510401	5051510400	4
5051510301	5051510300	3
5051510201	5051510200	2
MATERIAL NO.	MATERIAL NO.	CIRCUIT

THIS DRAWING CONTAINS INFORMATION THAT IS PROPRIETARY TO MOLEX ELECTRONIC TECHNOLOGIES, LLC AND SHOULD NOT BE USED WITHOUT WRITTEN PERMISSION

0.25 UNDER	±0.03
0.25 OVER 0.5 UNDER	±0.05
0.5 OVER 1.0 UNDER	±0.1
1.0 OVER 10 UNDER	±0.2
10 OVER 30 UNDER	±0.25
30 OVER	±0.3

DIMENSION UNITS	SCALE
mm	5:1
GENERAL TOLERANCES (UNLESS SPECIFIED)	
ANGULAR TOL	± 3.0 °
4 PLACES	± 0.2
3 PLACES	± 0.25
2 PLACES	± 0.3
1 PLACE	± 0.1
0 PLACES	±
DRAFT WHERE APPLICABLE MUST REMAIN WITHIN DIMENSIONS	

CURRENT REV DESC:
 EC NO: 175347
 DRWN: TMORISHITA 2018/04/20
 CHK'D: HKOMATSU 2018/04/20
 APPR: TOSADA 2018/04/20
 INITIAL REVISION:
 DRWN: MIKEDA01 2014/03/03
 APPR: NUKITA 2014/03/28

molex

2.0MM PITCH W/B CONN.

PRODUCT CUSTOMER DRAWING

DOCUMENT NUMBER	DOC TYPE	DOC PART	REVISION
SD-505151-001	PSD	001	E1

MATERIAL NUMBER	CUSTOMER	SHEET NUMBER
SEE SHEET 4	GENERAL MARKET	4 OF 4

DOCUMENT STATUS	P1	RELEASE DATE	2018/04/20 09:17:02
-----------------	----	--------------	---------------------

9 8 7 6 5 4 3 2 1

FORMAT: master-b-prod-A3
 REVISION: 11
 DATE: 2018/01/18