

产品编号 : [5051510200](#)
Series Number : [505406](#)
Status : Obsolete



Documents & Resources

Product Environment Compliance

Compliance

China RoHS	
EU ELV	Not Relevant
Low-Halogen Status	Not Low-Halogen
REACH SVHC	Not Contained per -D(2023)3788-DC (14 Jun 2023)
EU RoHS	Compliant

Multiple Part Product Compliance Statements

- Eu RoHS
- REACH SVHC
- Low-Halogen

Multiple Part Industry Compliance Documents

- IPC 1752A Class C
- IPC 1752A Class D
- Molex Product Compliance Declaration
- IEC-62474
- chemSHERPA (xml)

EU RoHS Certificate of Compliance

Part Details

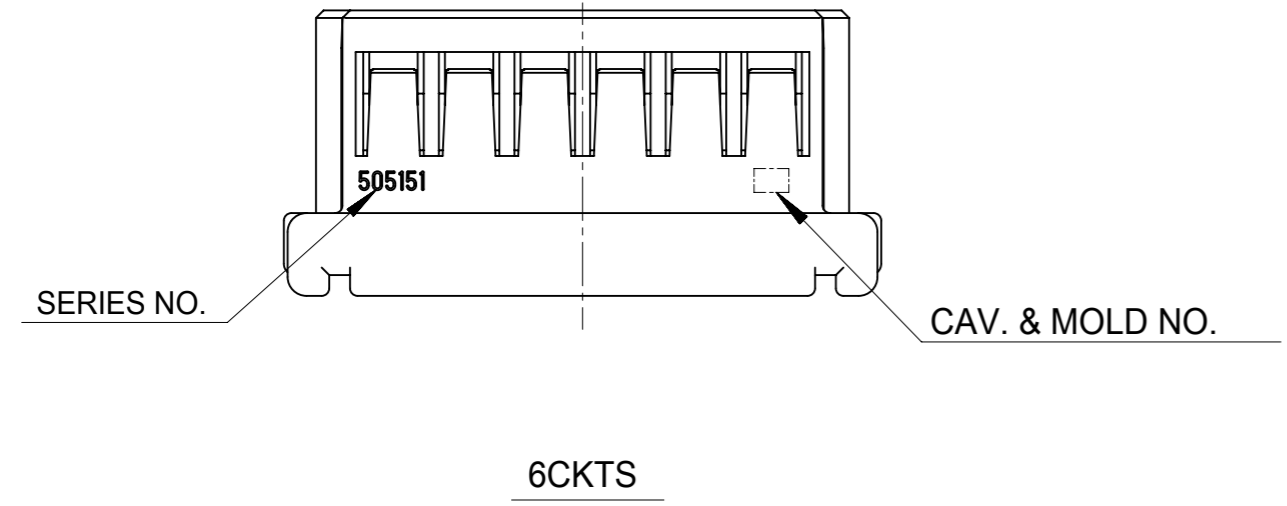
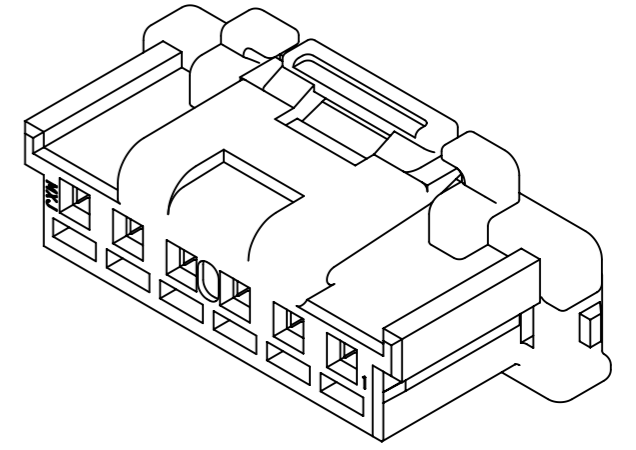
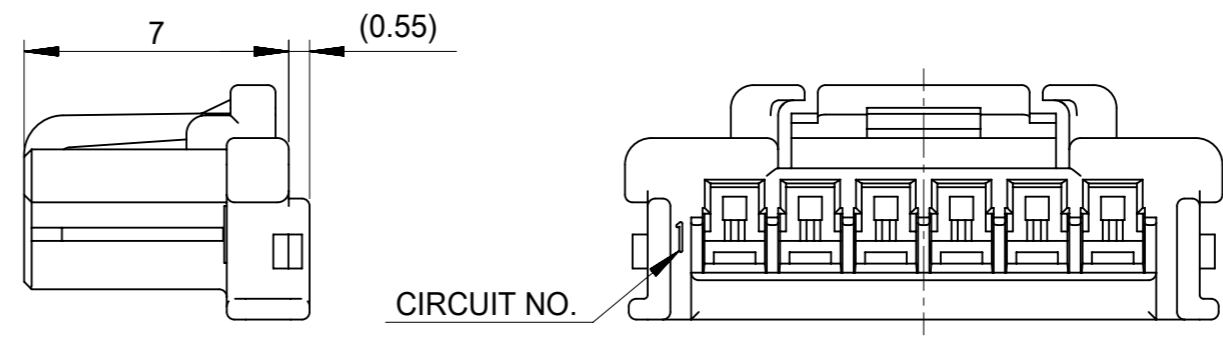
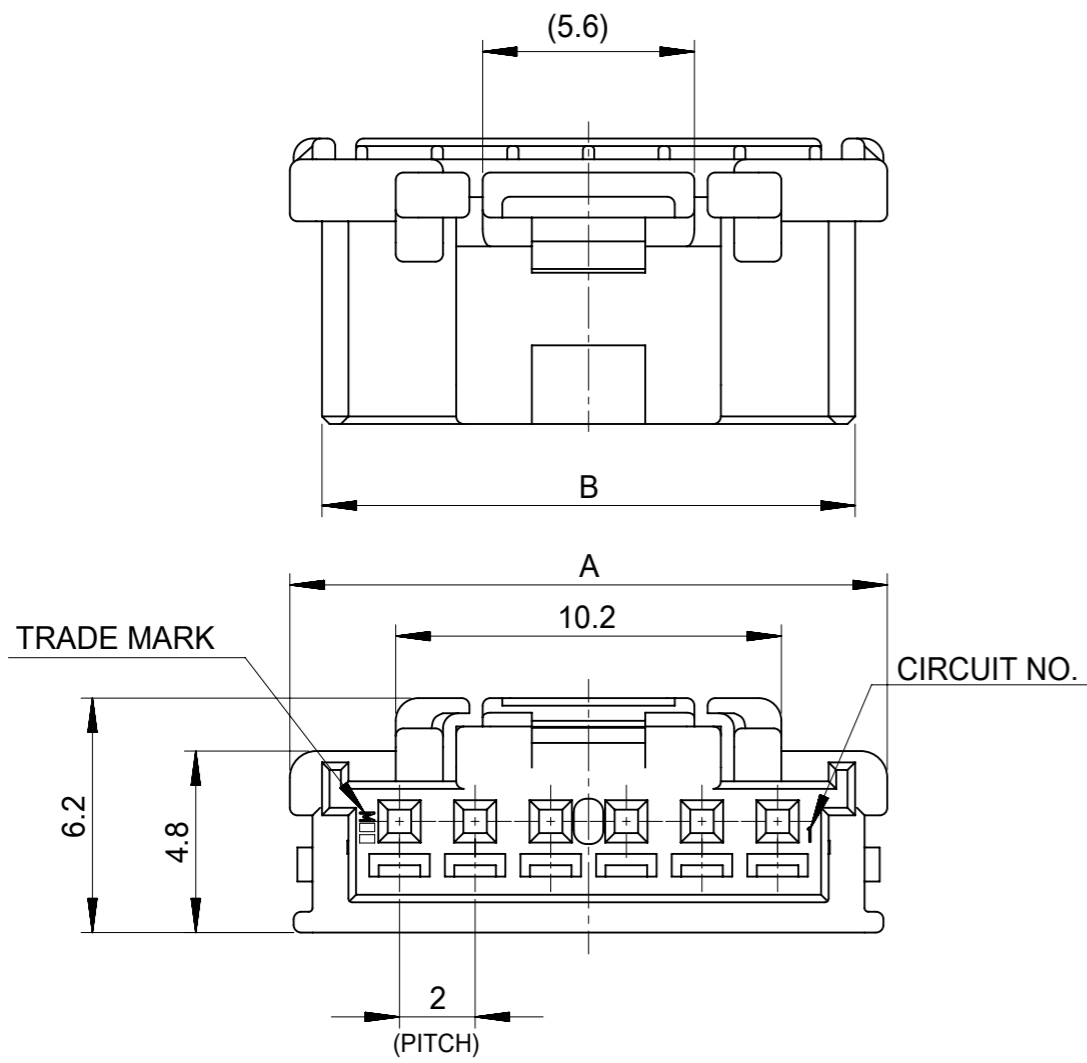
General

Status	Obsolete
Series	505406
UPC	889056166812

Physical

Net Weight	1080.000/mg
------------	-------------

This document was generated on Feb 28, 2024



NOTES

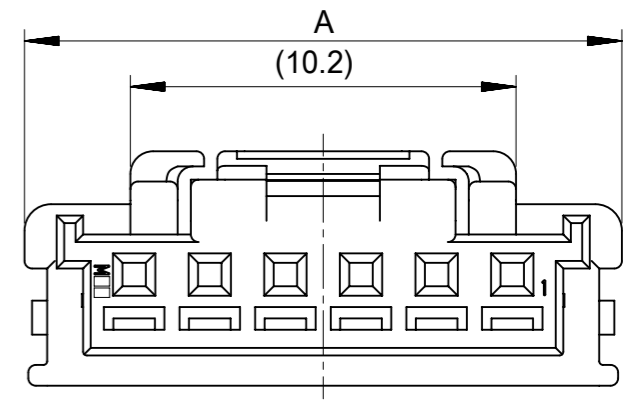
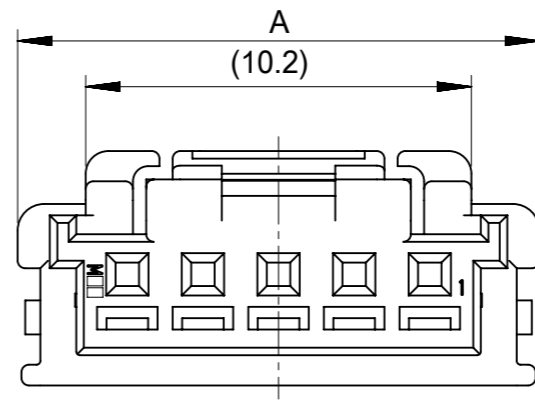
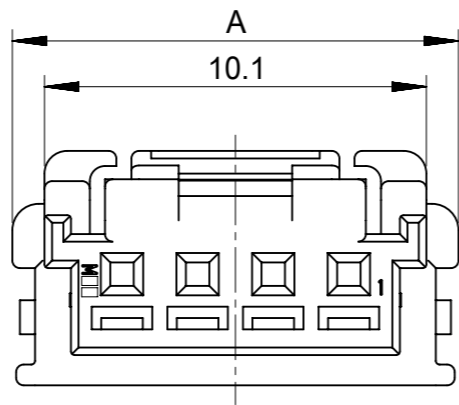
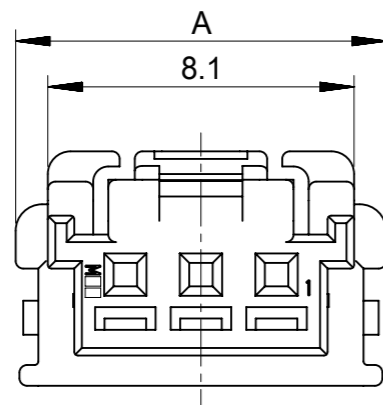
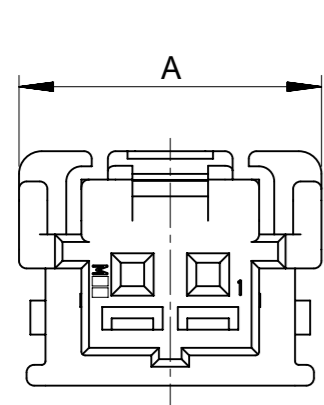
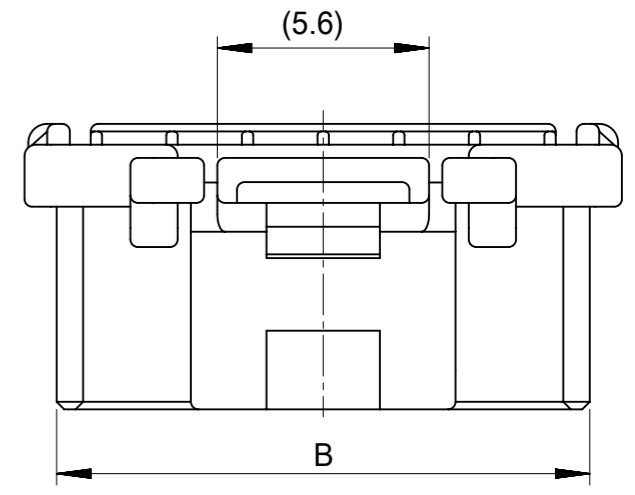
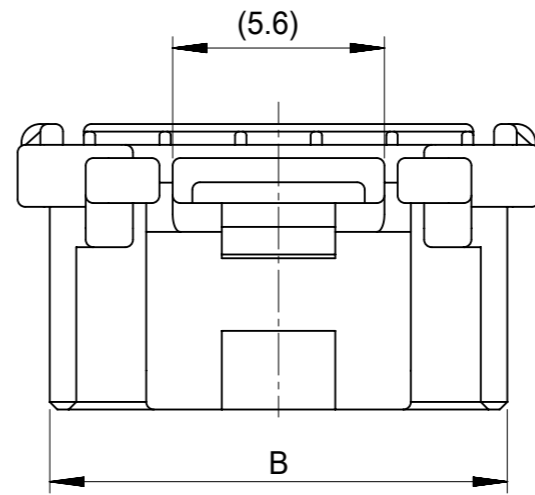
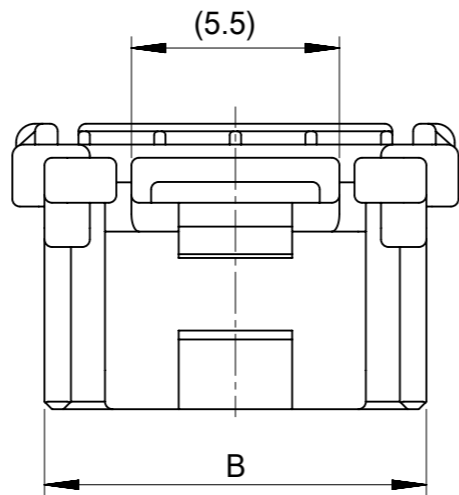
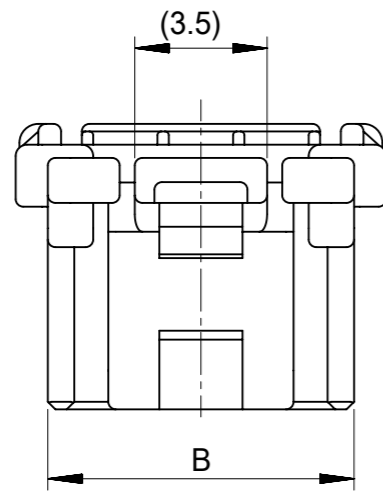
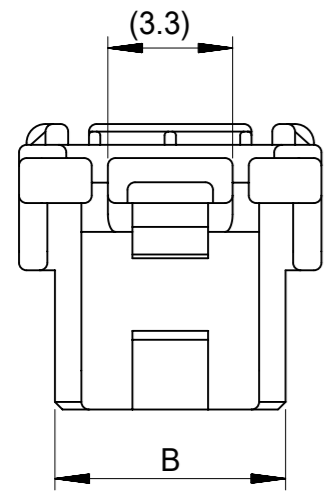
- 1.材料 : PA,UL94V-2
MATERIAL:PA,UL94V-2
- 2.色 : 黒、白、詳細はシート4の表を参照
COLOR:BLACK,WHITE, SEE CHART OF SHEET4
- 3.嵌合端子 : 505153,505487シリーズ
APPLICABLE TERMINAL:505153,505487 SERIES
- 4.嵌合相手 : 502352,560020シリーズ
MATE WITH: 502352, 560020 SERIES
- 5.適合リテーナー : 505152シリーズ
APPLICABLE RETAINER: 505152 SERIES
- 6.ELV 及びRoHS適合
ELV AND RoHS COMPLIANT

34	34	32.1	33.8	505151150*	15
32	32	30.1	31.8	505151140*	14
30	30	28.1	29.8	505151130*	13
28	28	26.1	27.8	505151120*	12
26	26	24.1	25.8	505151110*	11
24	24	22.1	23.8	505151100*	10
22	22	20.1	21.8	505151090*	9
22.6	20	18.1	19.8	505151080*	8
20.6	18	16.1	17.8	505151070*	7
18.6	16	14.1	15.8	505151060*	6
16.6	14	12.1	13.8	505151050*	5
14.6	12	10.1	11.8	505151040*	4
12.6	10	8.1	9.8	505151030*	3
10.9	8	6.1	8.0	505151020*	2
D	C	B	A	MATERIAL NO.	CIRCUIT

THIS DRAWING CONTAINS INFORMATION THAT IS PROPRIETARY TO MOLEX ELECTRONIC TECHNOLOGIES, LLC AND SHOULD NOT BE USED WITHOUT WRITTEN PERMISSION

DIMENSION UNITS	SCALE	CURRENT REV DESC:	
mm	5:1		
GENERAL TOLERANCES (UNLESS SPECIFIED)		EC NO: 175347	
ANGULAR TOL ± 3.0°		DRWN: TMORISHITA	2018/04/20
4 PLACES ± 0.2		CHK'D: HKOMATSU	2018/04/20
3 PLACES ± 0.25		APPR: TOSADA	2018/04/20
2 PLACES ± 0.3		INITIAL REVISION:	
1 PLACE ± 0.1		DRWN: MIKEDA01	2014/03/03
0 PLACES ±		APPR: NUKITA	2014/03/28
DRAFT WHERE APPLICABLE MUST REMAIN WITHIN DIMENSIONS		THIRD ANGLE PROJECTION	DRAWING
		SERIES	MATERIAL NUMBER
		A3-SIZE	505151
		CUSTOMER	SEE SHEET 4
		DOC TYPE	PSD
		DOC PART	001
		REVISION	E1
		SHEET NUMBER	1 OF 4

0.25 UNDER	±0.03
0.25 OVER 0.5 UNDER	±0.05
0.5 OVER 1.0 UNDER	±0.1
1.0 OVER 10 UNDER	±0.2
10 OVER 30 UNDER	±0.25
30 OVER	±0.3



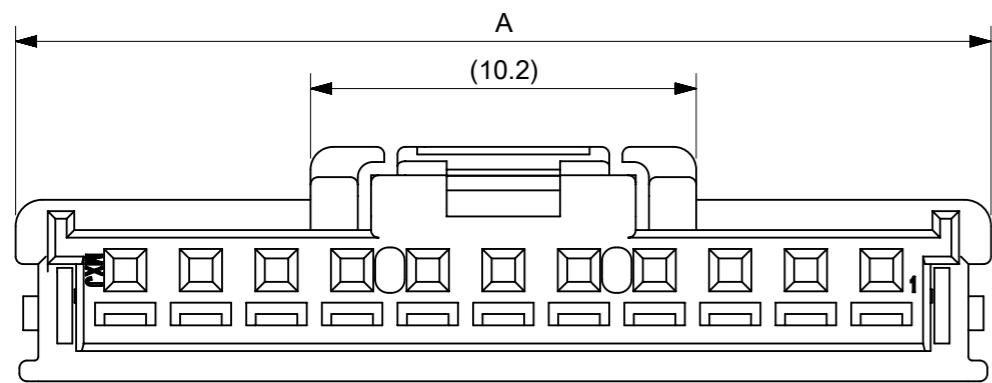
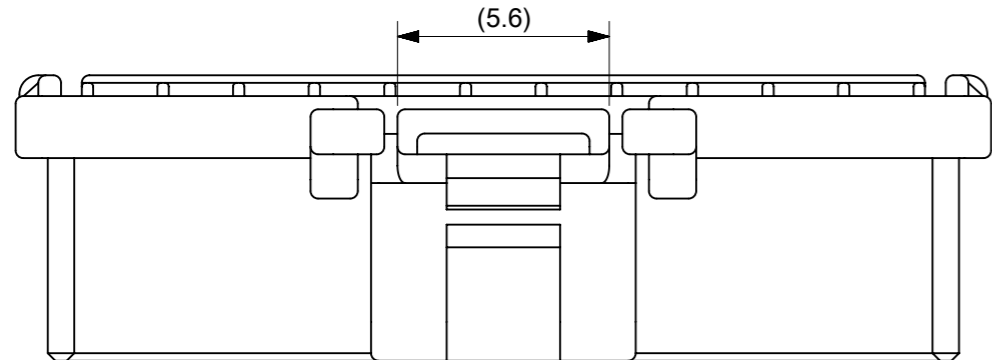
2 CKTS

3 CKTS

4 CKTS

5 CKTS

6-10 CKTS



11 CKT OR MORE

THIS DRAWING CONTAINS INFORMATION THAT IS PROPRIETARY TO MOLEX ELECTRONIC TECHNOLOGIES, LLC AND SHOULD NOT BE USED WITHOUT WRITTEN PERMISSION

0.25 UNDER	±0.03
0.25 OVER 0.5 UNDER	±0.05
0.5 OVER 1.0 UNDER	±0.1
1.0 OVER 10 UNDER	±0.2
10 OVER 30 UNDER	±0.25
30 OVER	±0.3

DIMENSION UNITS	SCALE
mm	5:1
GENERAL TOLERANCES (UNLESS SPECIFIED)	
ANGULAR TOL	± 3.0°
4 PLACES	± 0.2
3 PLACES	± 0.25
2 PLACES	± 0.3
1 PLACE	± 0.1
0 PLACES	±

CURRENT REV DESC:
 EC NO: 175347
 DRWN: TMORISHITA 2018/04/20
 CHK'D: HKOMATSU 2018/04/20
 APPR: TOSADA 2018/04/20
 INITIAL REVISION:
 DRWN: MIKEDA01 2014/03/03
 APPR: NUKITA 2014/03/28

molex

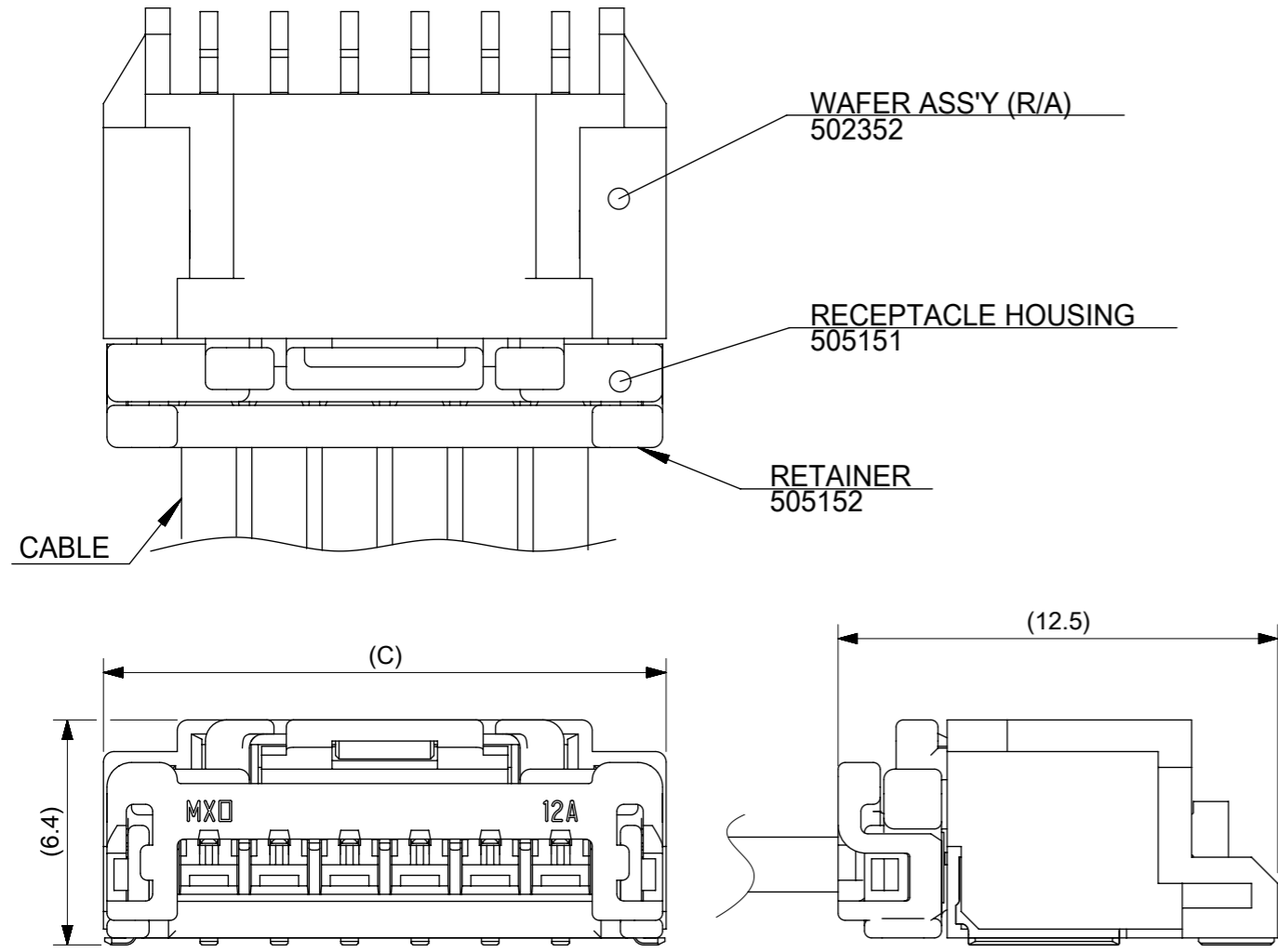
2.0MM PITCH W/B CONN.

PRODUCT CUSTOMER DRAWING

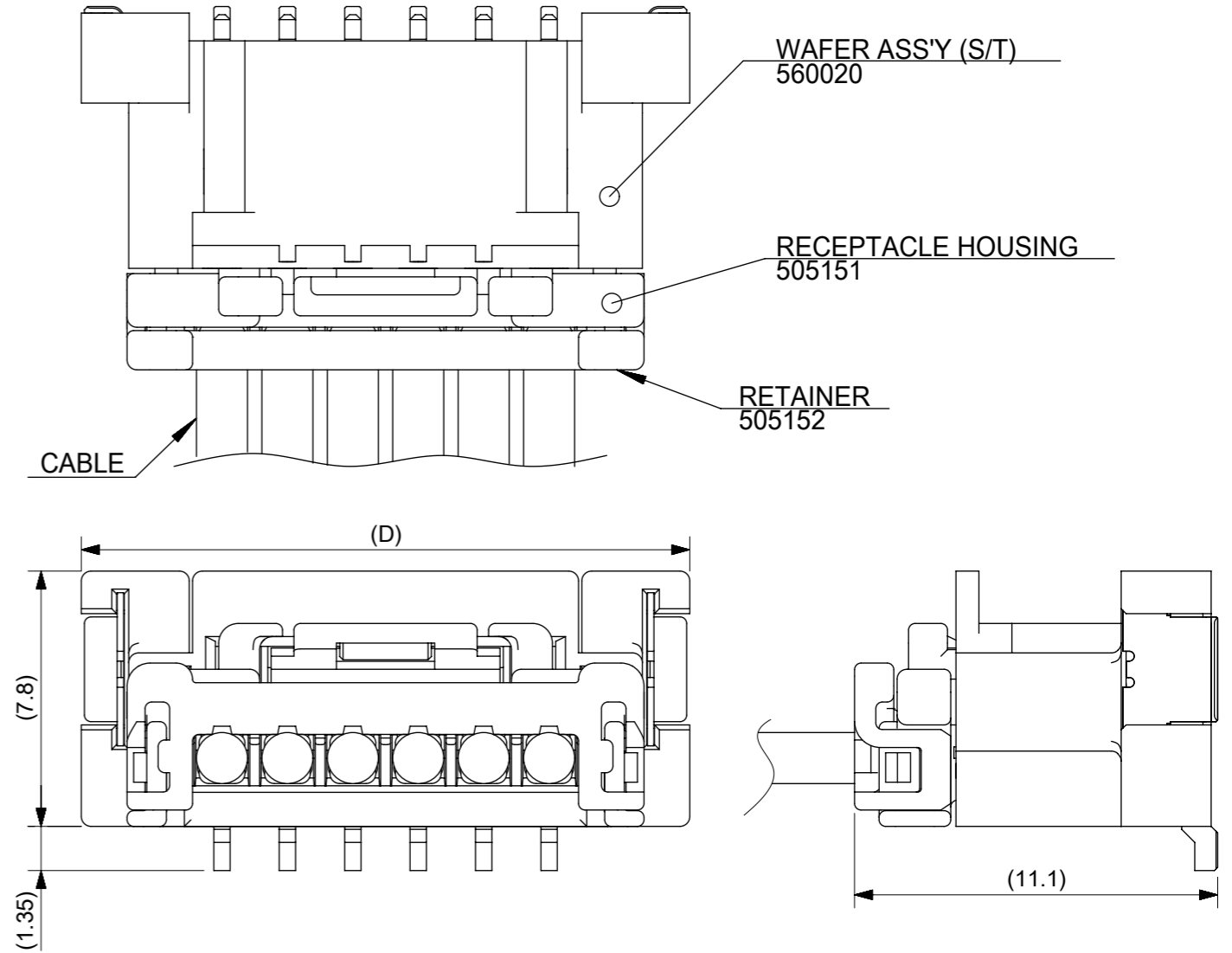
DOCUMENT NUMBER	DOC TYPE	DOC PART	REVISION
SD-505151-001	PSD	001	E1
MATERIAL NUMBER	CUSTOMER	SHEET NUMBER	
SEE SHEET 4	GENERAL MARKET	2 OF 4	

嵌合図

Right Angle: 502352 series



Straight: 560020 series



THIS DRAWING CONTAINS INFORMATION THAT IS PROPRIETARY TO MOLEX ELECTRONIC TECHNOLOGIES, LLC AND SHOULD NOT BE USED WITHOUT WRITTEN PERMISSION

DIMENSION UNITS	SCALE	CURRENT REV DESC:		molex		
mm	5:1	EC NO: 175347				
GENERAL TOLERANCES (UNLESS SPECIFIED)		DRWN: TMORISHITA 2018/04/20		PRODUCT CUSTOMER DRAWING		
ANGULAR TOL ± 3.0°		CHK'D: HKOMATSU 2018/04/20		DOCUMENT NUMBER		
4 PLACES ± 0.2		APPR: TOSADA 2018/04/20		SD-505151-001		DOC TYPE
3 PLACES ± 0.25		INITIAL REVISION:		PSD		DOC PART
2 PLACES ± 0.3		DRWN: MIKEDA01 2014/03/03		001		REVISION
1 PLACE ± 0.1		APPR: NUKITA 2014/03/28		E1		
0 PLACES ±		DRAFT WHERE APPLICABLE MUST REMAIN WITHIN DIMENSIONS		SERIES		SHEET NUMBER
THIRD ANGLE PROJECTION		DRAWING		MATERIAL NUMBER		CUSTOMER
A3-SIZE		505151		SEE SHEET 4		GENERAL MARKET

0.25 UNDER	±0.03
0.25 OVER 0.5 UNDER	±0.05
0.5 OVER 1.0 UNDER	±0.1
1.0 OVER 10 UNDER	±0.2
10 OVER 30 UNDER	±0.25
30 OVER	±0.3

9 8 7 6 5 4 3 2 1

E

E

D

D

C

C

B


B

A

A

WHITE	BLACK	HSG COLOR
5051511501	5051511500	15
5051511401	5051511400	14
5051511301	5051511300	13
5051511201	5051511200	12
5051511101	5051511100	11
5051511001	5051511000	10
5051510901	5051510900	9
5051510801	5051510800	8
5051510701	5051510700	7
5051510601	5051510600	6
5051510501	5051510500	5
5051510401	5051510400	4
5051510301	5051510300	3
5051510201	5051510200	2
MATERIAL NO.	MATERIAL NO.	CIRCUIT

THIS DRAWING CONTAINS INFORMATION THAT IS PROPRIETARY TO MOLEX ELECTRONIC TECHNOLOGIES, LLC AND SHOULD NOT BE USED WITHOUT WRITTEN PERMISSION

DIMENSION UNITS		SCALE		CURRENT REV DESC:							
mm		5:1		EC NO: 175347							
GENERAL TOLERANCES (UNLESS SPECIFIED)				DRWN: TMORISHITA 2018/04/20				PRODUCT CUSTOMER DRAWING 2.0MM PITCH W/B CONN.			
ANGULAR TOL ± 3.0 °				CHK'D: HKOMATSU 2018/04/20							
0.25 UNDER		±0.03		4 PLACES ± 0.2		APPR: TOSADA 2018/04/20		INITIAL REVISION: DRWN: MIKEDA01 2014/03/03 APPR: NUKITA 2014/03/28			
0.25 OVER 0.5 UNDER		±0.05		3 PLACES ± 0.25		SERIES 505151					
0.5 OVER 1.0 UNDER		±0.1		2 PLACES ± 0.3		MATERIAL NUMBER		CUSTOMER		SHEET NUMBER	
1.0 OVER 10 UNDER		±0.2		1 PLACE ± 0.1		SEE SHEET 4		GENERAL MARKET		4 OF 4	
10 OVER 30 UNDER		±0.25		0 PLACES ±		DRAWING A3-SIZE		THIRD ANGLE PROJECTION		DATE: 2018/01/18	
30 OVER		±0.3		DRAFT WHERE APPLICABLE MUST REMAIN WITHIN DIMENSIONS		DRAWING A3-SIZE		THIRD ANGLE PROJECTION		DATE: 2018/01/18	

DOCUMENT STATUS	P1	RELEASE DATE	2018/04/20	09:17:02
-----------------	----	--------------	------------	----------

9 8 7 6 5 4 3 2 1

FORMAT: master-ib-prod-A3
REVISION: 11
DATE: 2018/01/18