



产品编号 : 5051510801

系列号 : 505151

Product Category : Connector Housings

Product Description : DuraClik TPA Wire-to-Board Receptacle Housing, 8 Circuits, White

状态 : Active

---

## 文件和资源

### 图纸

图纸 5051510801\_sd.pdf

### 3D 模型和设计文件

3D模型 5051510801\_stp.zip

### 规格

应用规格 AS-505151-002-001.pdf

包装规格 5051519200-200.pdf


产品规格 5051510002-000.pdf

产品规格 PS-505151-001-001.pdf

---

## 产物环境合规

### 合规

GADSL/IMDS	Compliant
China RoHS	
EU ELV	Compliant per 2000/53/EC
Low-Halogen Status	Low-Halogen per IEC 61249-2-21
REACH SVHC	Not Contained per D(2023)8585-DC (23 Jan 2024)
EU RoHS	Compliant per EU 2015/863

### 多部分产品合规性声明

- Eu RoHS
- REACH SVHC
- Low-Halogen
  
- IPC 1752A Class C
- IPC 1752A Class D
- Molex Product Compliance Declaration

- IEC-62474

- chemSHERPA (xml)

欧盟 RoHS 合格证书

---

## 产品详情

### 常规

状态	活动
类别	Connector Housings
系列	505151
说明	DuraClik TPA Wire-to-Board Receptacle Housing, 8 Circuits, White
应用	Automotive, Signal, Wire-to-Board
产品系列	DuraClik Connector System
产品名称	DuraClik
UPC	889056634915

### 机构

UL	E29179
----	--------

### 物理

电路数（最多）	8
颜色-树脂	白色
阻燃性	94V-2
性别	Receptacle
符合灼热丝规范	否
插接极性	无
锁定插接部位	是
材料 - 树脂	Polyester Alloy
净重	334.000/mg
行数	1
包装形式	Bag
面板安装式	否
间距 - 插配接口	2.00mm
间距 - 终端界面	2.00mm

有极性的插配件	是
端口	1
可堆叠的	否
运行温度范围	-40° to +125° C

---

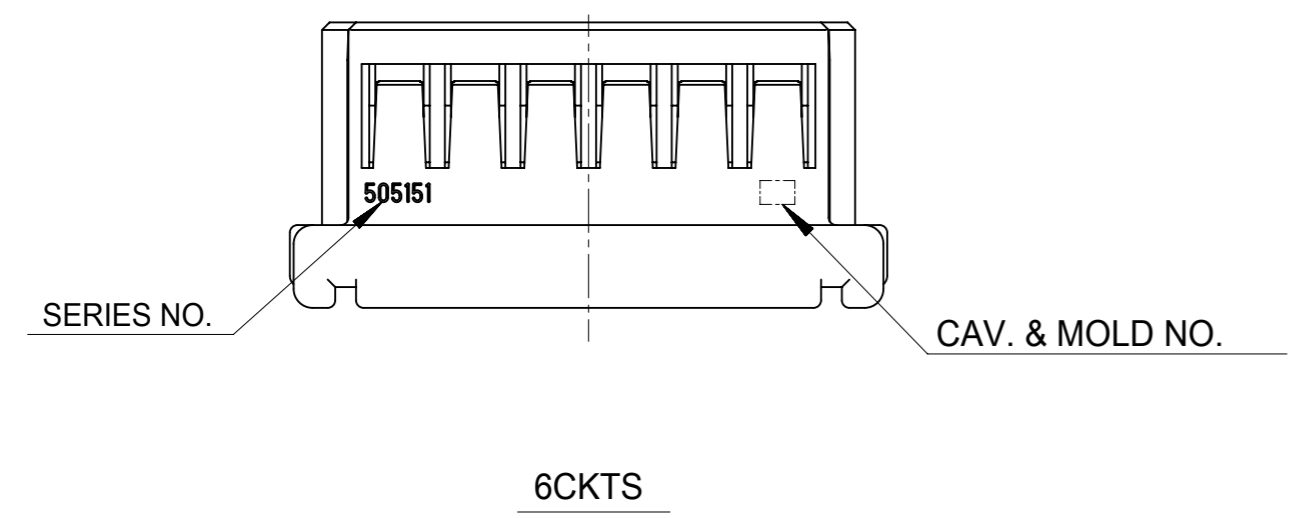
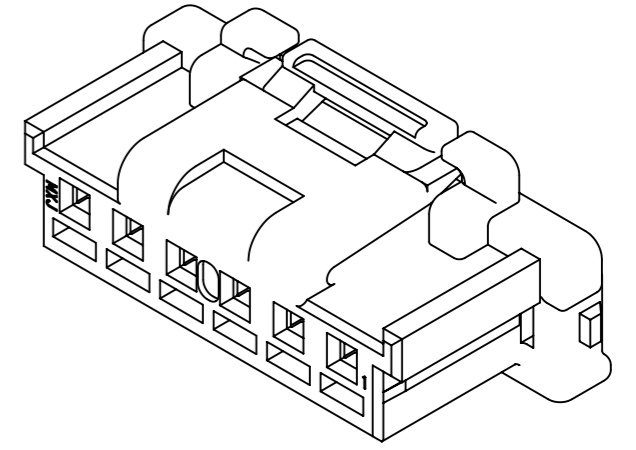
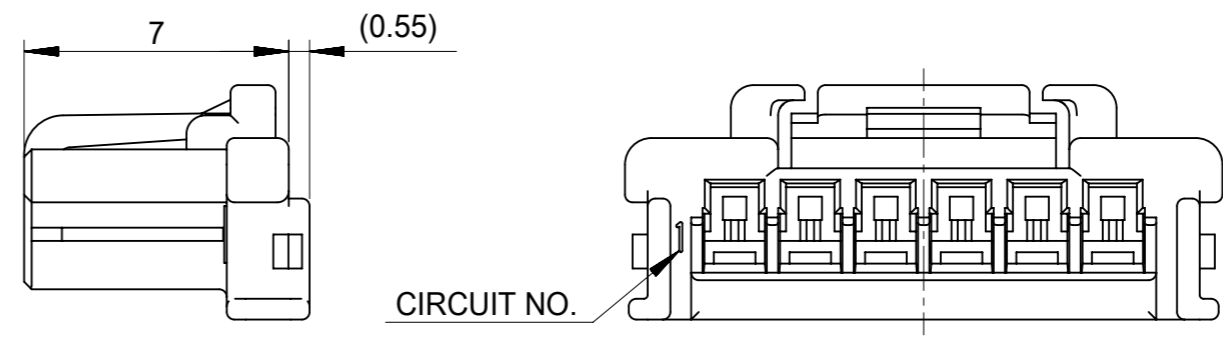
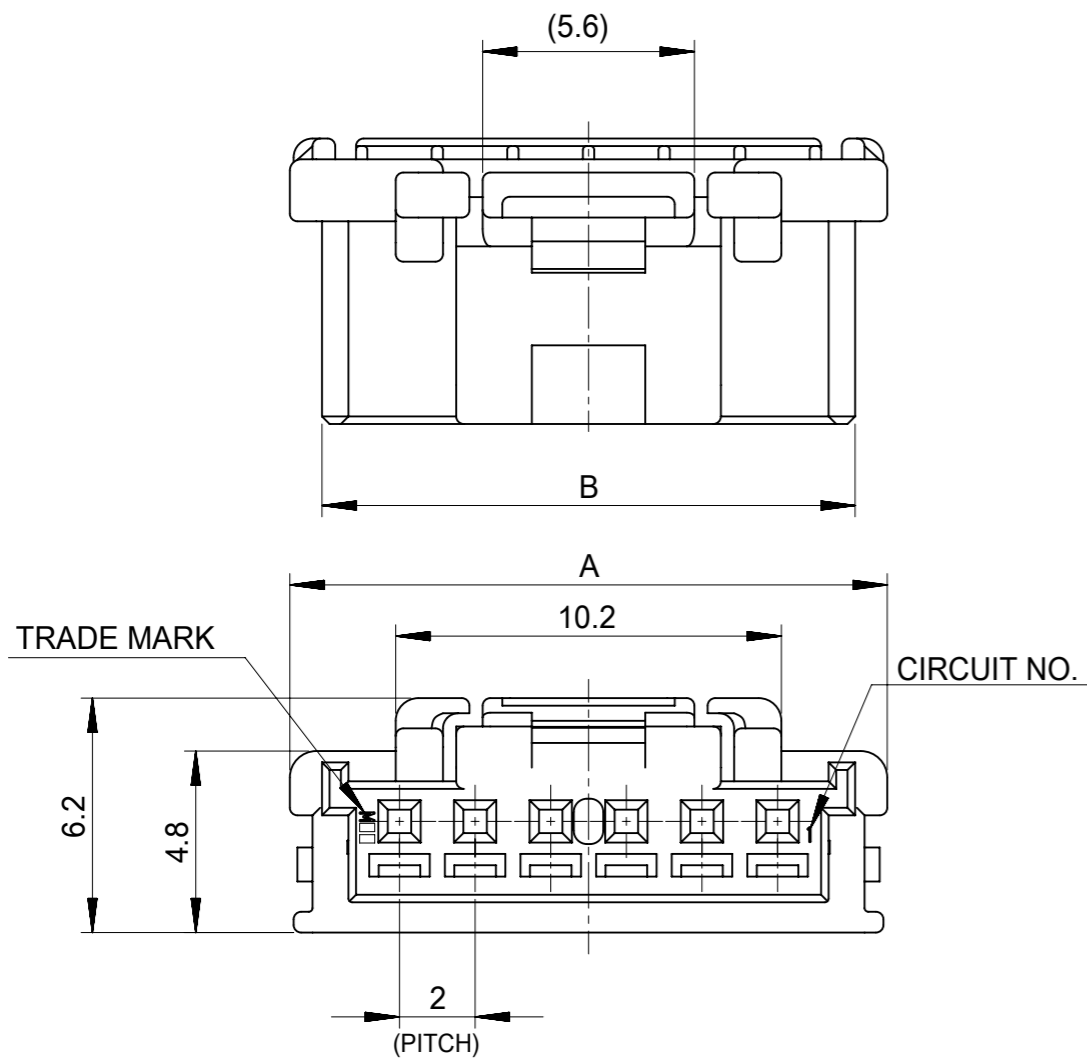
## 可配插/可连接使用的产品

### 可配插部件

描述	产品编号
DuraClik Right-Angle Single Row Headers	<u>502352</u>
DuraClik Vertical Single Row Headers	<u>560020</u>

### 可连接使用部件

描述	产品编号
DuraClik 2-Way Terminal Position Assurance (TPA) Retainers	<u>505152</u>
DuraClik TPA Female Crimp Terminals	<u>505153</u>
DuraClik TPA Female Crimp Terminals	<u>505487</u>



NOTES

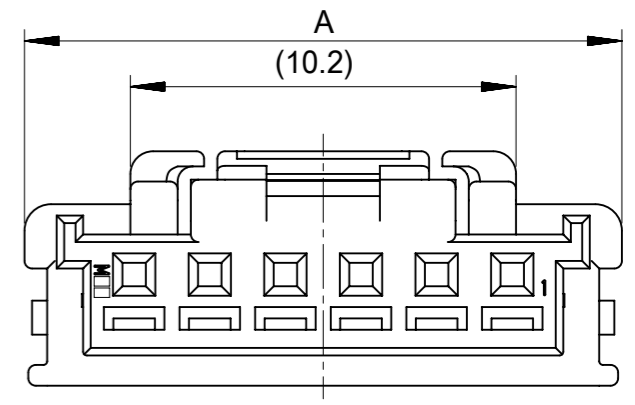
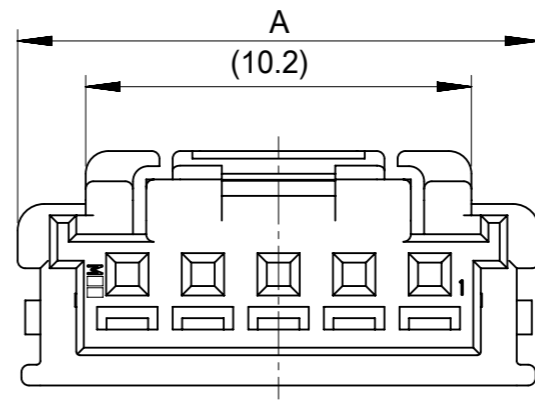
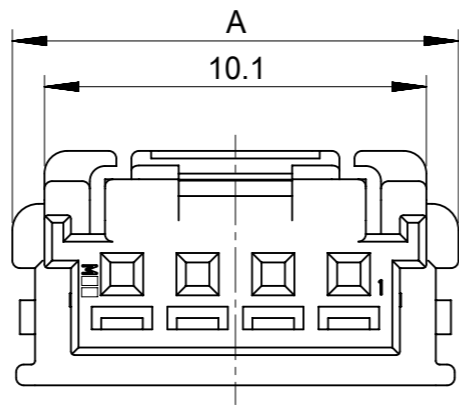
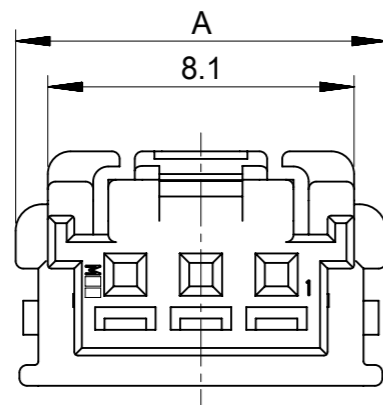
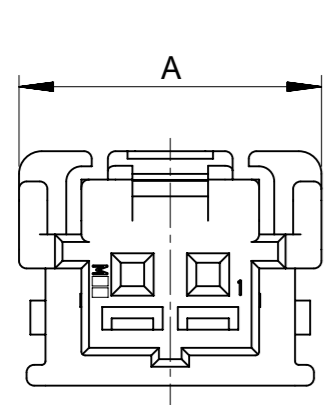
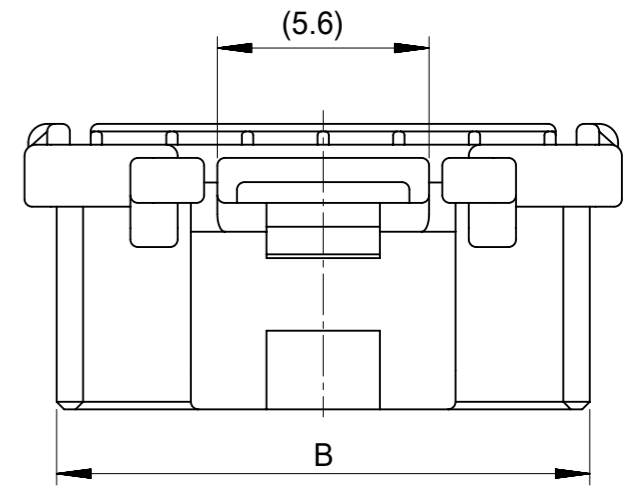
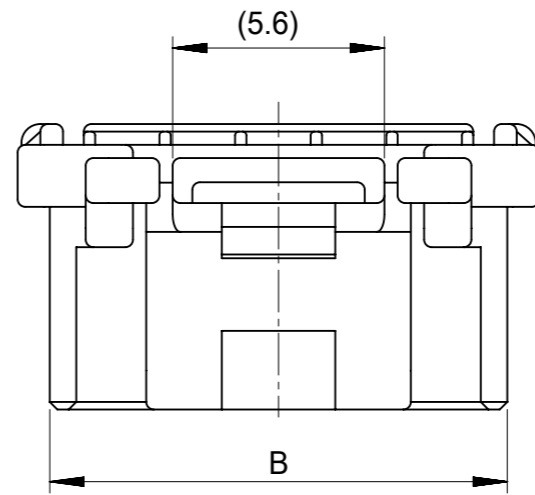
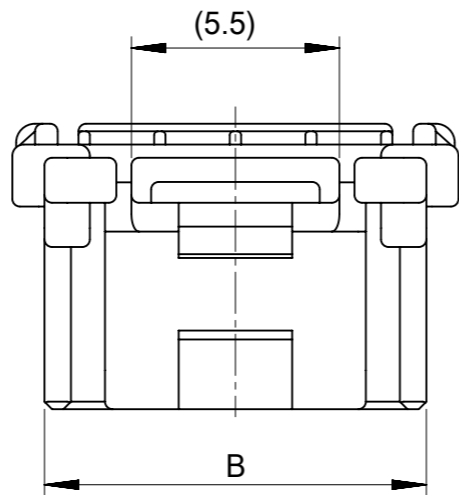
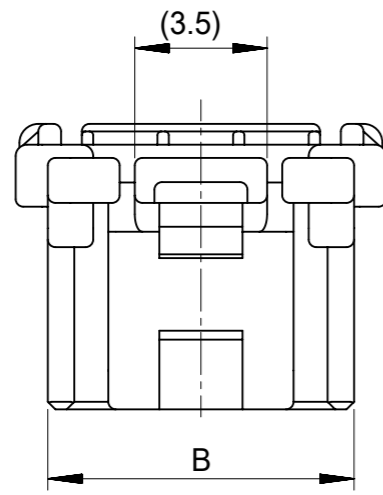
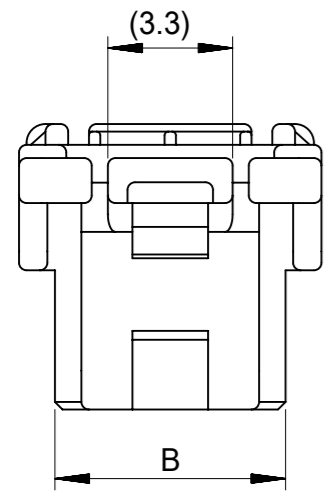
- 1.材料 : PA,UL94V-2  
MATERIAL:PA,UL94V-2
- 2.色 : 黒、白、詳細はシート4の表を参照  
COLOR:BLACK,WHITE, SEE CHART OF SHEET4
- 3.嵌合端子 : 505153,505487シリーズ  
APPLICABLE TERMINAL:505153,505487 SERIES
- 4.嵌合相手 : 502352,560020シリーズ  
MATE WITH: 502352, 560020 SERIES
- 5.適合リテーナー : 505152シリーズ  
APPLICABLE RETAINER: 505152 SERIES
- 6.ELV 及びRoHS適合  
ELV AND RoHS COMPLIANT

34	34	32.1	33.8	505151150*	15
32	32	30.1	31.8	505151140*	14
30	30	28.1	29.8	505151130*	13
28	28	26.1	27.8	505151120*	12
26	26	24.1	25.8	505151110*	11
24	24	22.1	23.8	505151100*	10
22	22	20.1	21.8	505151090*	9
22.6	20	18.1	19.8	505151080*	8
20.6	18	16.1	17.8	505151070*	7
18.6	16	14.1	15.8	505151060*	6
16.6	14	12.1	13.8	505151050*	5
14.6	12	10.1	11.8	505151040*	4
12.6	10	8.1	9.8	505151030*	3
10.9	8	6.1	8.0	505151020*	2
D	C	B	A	MATERIAL NO.	CIRCUIT

THIS DRAWING CONTAINS INFORMATION THAT IS PROPRIETARY TO MOLEX ELECTRONIC TECHNOLOGIES, LLC AND SHOULD NOT BE USED WITHOUT WRITTEN PERMISSION

DIMENSION UNITS <b>mm</b>	SCALE <b>5:1</b>	CURRENT REV DESC:		<b>molex</b>
GENERAL TOLERANCES (UNLESS SPECIFIED)		EC NO: 175347		
ANGULAR TOL ± 3.0°		DRWN: TMORISHITA	2018/04/20	PRODUCT CUSTOMER DRAWING
4 PLACES ± 0.2		CHK'D: HKOMATSU	2018/04/20	
3 PLACES ± 0.25		APPR: TOSADA	2018/04/20	DOC TYPE PSD
2 PLACES ± 0.3		INITIAL REVISION:		DOC PART 001
1 PLACE ± 0.1		DRWN: MIKEDA01	2014/03/03	REVISION E1
0 PLACES ±		APPR: NUKITA	2014/03/28	MATERIAL NUMBER SEE SHEET 4
DRAFT WHERE APPLICABLE MUST REMAIN WITHIN DIMENSIONS		THIRD ANGLE PROJECTION	DRAWING A3-SIZE	CUSTOMER GENERAL MARKET
		SERIES 505151	SHEET NUMBER 1 OF 4	

0.25 UNDER	±0.03
0.25 OVER 0.5 UNDER	±0.05
0.5 OVER 1.0 UNDER	±0.1
1.0 OVER 10 UNDER	±0.2
10 OVER 30 UNDER	±0.25
30 OVER	±0.3



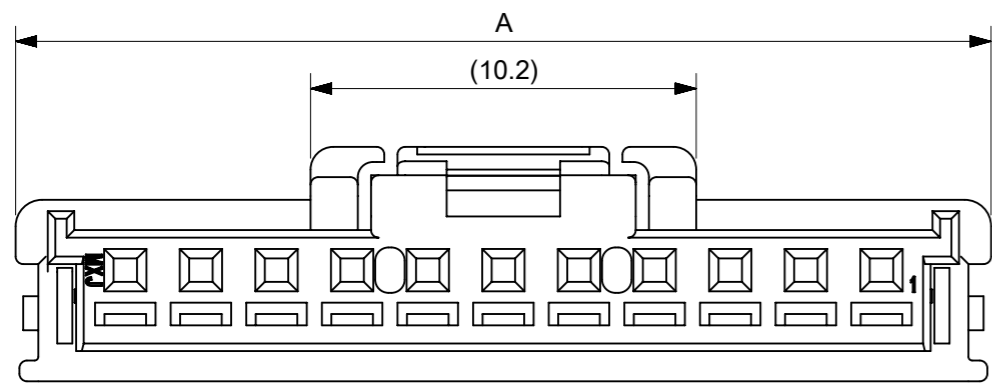
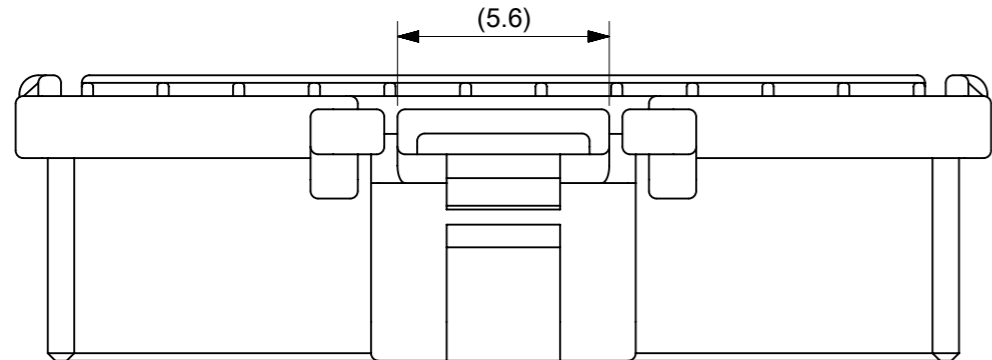
2 CKTS

3 CKTS

4 CKTS

5 CKTS

6-10 CKTS



11 CKT OR MORE

THIS DRAWING CONTAINS INFORMATION THAT IS PROPRIETARY TO MOLEX ELECTRONIC TECHNOLOGIES, LLC AND SHOULD NOT BE USED WITHOUT WRITTEN PERMISSION

DIMENSION UNITS	SCALE
mm	5:1

GENERAL TOLERANCES (UNLESS SPECIFIED)	
0.25 UNDER	±0.03
0.25 OVER 0.5 UNDER	±0.05
0.5 OVER 1.0 UNDER	±0.1
1.0 OVER 10 UNDER	±0.2
10 OVER 30 UNDER	±0.25
30 OVER	±0.3

CURRENT REV DESC:	
EC NO: 175347	2018/04/20
DRWN: TMORISHITA	2018/04/20
CHK'D: HKOMATSU	2018/04/20
APPR: TOSADA	2018/04/20
INITIAL REVISION:	
DRWN: MIKEDA01	2014/03/03
APPR: NUKITA	2014/03/28

**molex**

2.0MM PITCH W/B CONN.

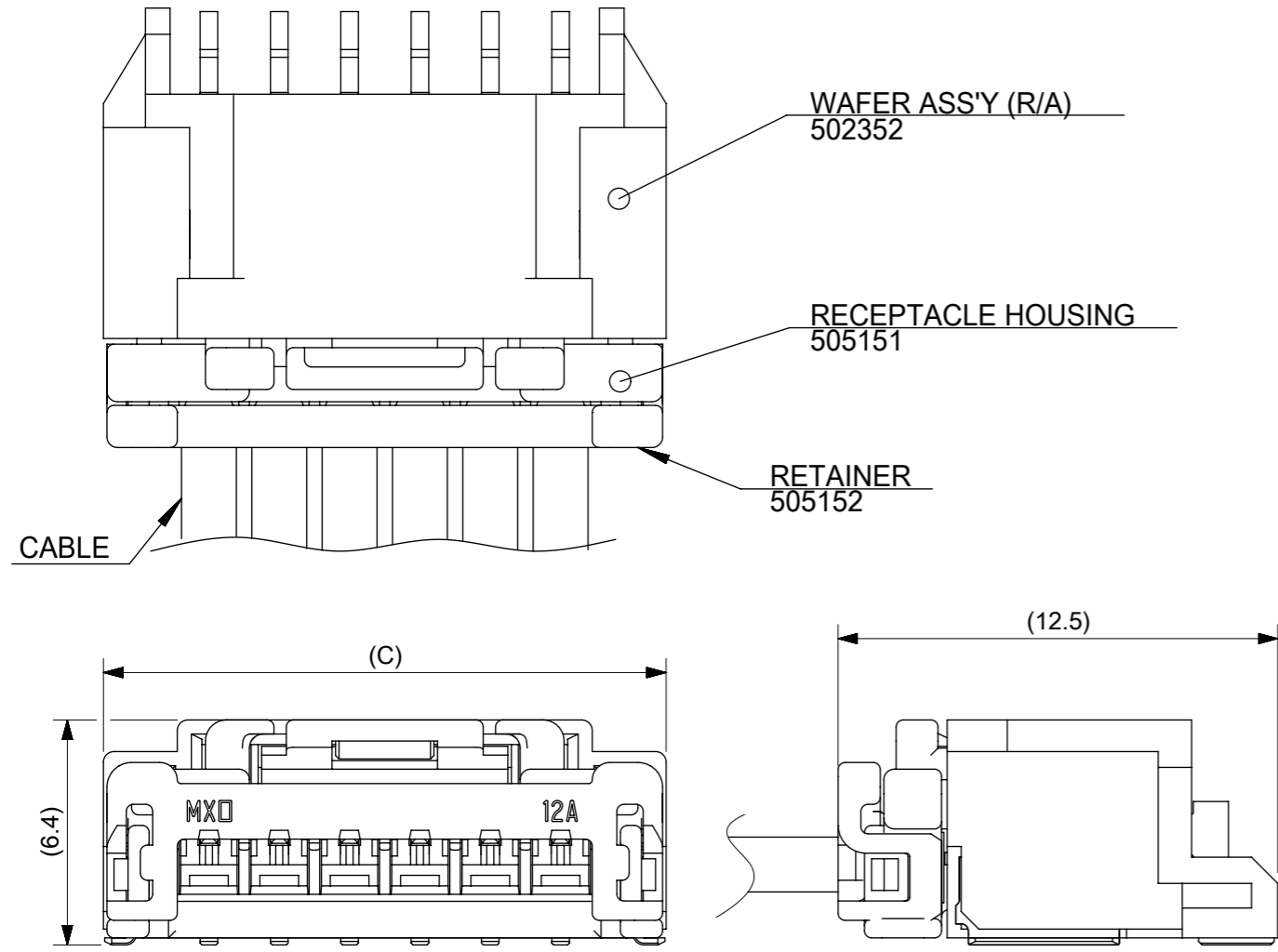
PRODUCT CUSTOMER DRAWING

DOCUMENT NUMBER	DOC TYPE	DOC PART	REVISION
SD-505151-001	PSD	001	E1

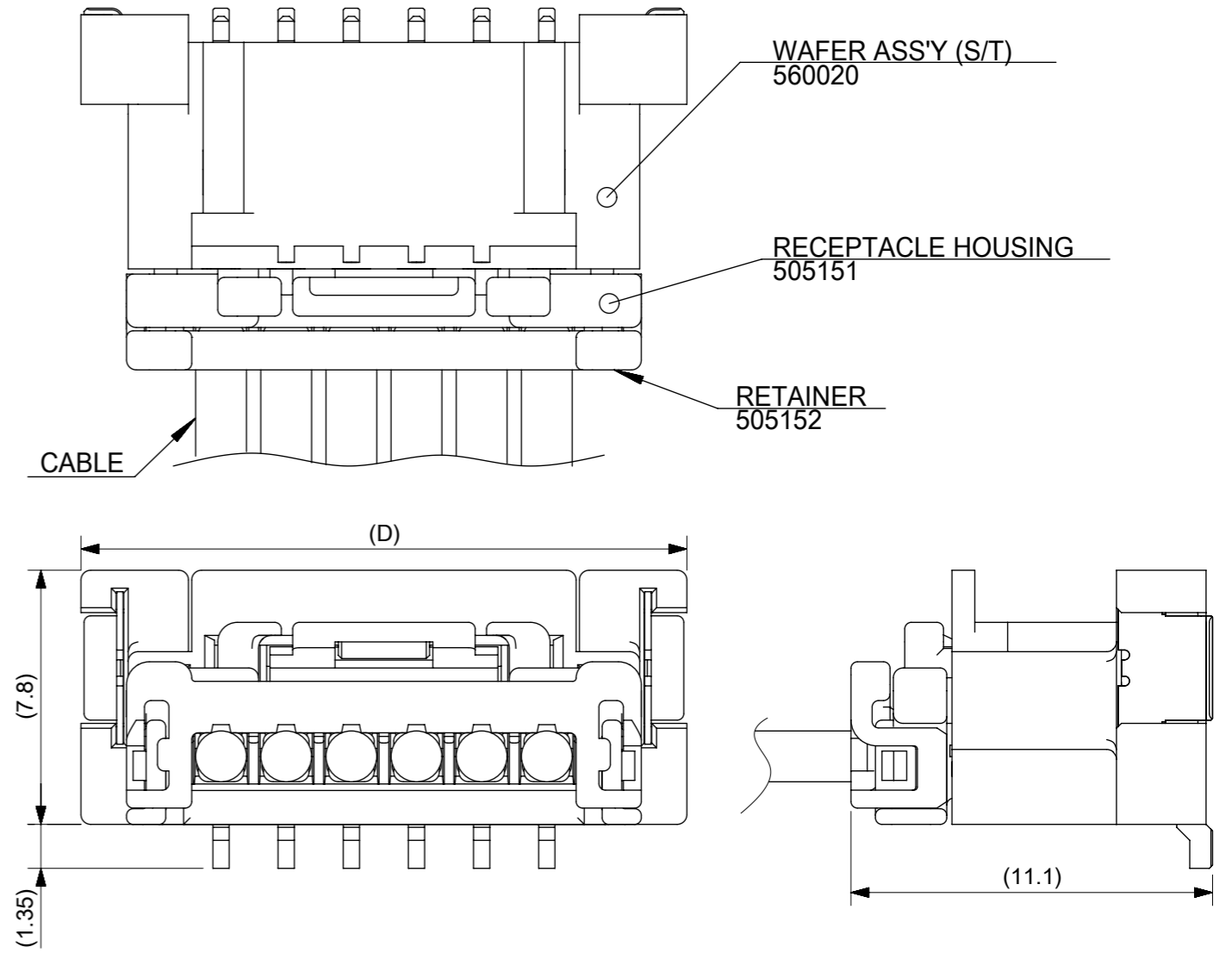
MATERIAL NUMBER	CUSTOMER	SHEET NUMBER
SEE SHEET 4	GENERAL MARKET	2 OF 4

# 嵌合図

## Right Angle: 502352 series



## Straight: 560020 series



THIS DRAWING CONTAINS INFORMATION THAT IS PROPRIETARY TO MOLEX ELECTRONIC TECHNOLOGIES, LLC AND SHOULD NOT BE USED WITHOUT WRITTEN PERMISSION

DIMENSION UNITS	SCALE	CURRENT REV DESC:		<b>molex</b>		
mm	5:1					
GENERAL TOLERANCES (UNLESS SPECIFIED)		EC NO: 175347		2.0MM PITCH W/B CONN.		
ANGULAR TOL ± 3.0°		DRWN: TMORISHITA 2018/04/20		PRODUCT CUSTOMER DRAWING		
4 PLACES ± 0.2		CHK'D: HKOMATSU 2018/04/20		DOCUMENT NUMBER		
3 PLACES ± 0.25		APPR: TOSADA 2018/04/20		SD-505151-001		
2 PLACES ± 0.3		INITIAL REVISION:		DOC TYPE		
1 PLACE ± 0.1		DRWN: MIKEDA01 2014/03/03		PSD		
0 PLACES ±		APPR: NUKITA 2014/03/28		DOC PART		
DRAFT WHERE APPLICABLE MUST REMAIN WITHIN DIMENSIONS		THIRD ANGLE PROJECTION		001		
		DRAWING		REVISION		
		A3-SIZE		E1		
		SERIES		SHEET NUMBER		
		505151		3 OF 4		
		MATERIAL NUMBER		CUSTOMER		
		SEE SHEET 4		GENERAL MARKET		

0.25 UNDER	±0.03
0.25 OVER 0.5 UNDER	±0.05
0.5 OVER 1.0 UNDER	±0.1
1.0 OVER 10 UNDER	±0.2
10 OVER 30 UNDER	±0.25
30 OVER	±0.3

9 8 7 6 5 4 3 2 1

E

E

D

D

C

C

B


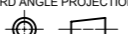
B

A

A

WHITE	BLACK	HSG COLOR
5051511501	5051511500	15
5051511401	5051511400	14
5051511301	5051511300	13
5051511201	5051511200	12
5051511101	5051511100	11
5051511001	5051511000	10
5051510901	5051510900	9
5051510801	5051510800	8
5051510701	5051510700	7
5051510601	5051510600	6
5051510501	5051510500	5
5051510401	5051510400	4
5051510301	5051510300	3
5051510201	5051510200	2
MATERIAL NO.	MATERIAL NO.	CIRCUIT

THIS DRAWING CONTAINS INFORMATION THAT IS PROPRIETARY TO MOLEX ELECTRONIC TECHNOLOGIES, LLC AND SHOULD NOT BE USED WITHOUT WRITTEN PERMISSION

<table border="1"> <tr> <th>DIMENSION UNITS</th> <th>SCALE</th> </tr> <tr> <td>mm</td> <td>5:1</td> </tr> </table>		DIMENSION UNITS	SCALE	mm	5:1	CURRENT REV DESC:				
DIMENSION UNITS	SCALE									
mm	5:1									
GENERAL TOLERANCES (UNLESS SPECIFIED)		EC NO: 175347								
ANGULAR TOL ± 3.0 °		DRWN: TMORISHITA 2018/04/20		2.0MM PITCH W/B CONN.						
4 PLACES ± 0.2		CHK'D: HKOMATSU 2018/04/20								
3 PLACES ± 0.25		APPR: TOSADA 2018/04/20		PRODUCT CUSTOMER DRAWING						
2 PLACES ± 0.3		INITIAL REVISION:								
1 PLACE ± 0.1		DRWN: MIKEDA01 2014/03/03		DOCUMENT NUMBER						
0 PLACES ±		APPR: NUKITA 2014/03/28		SD-505151-001						
DRAFT WHERE APPLICABLE MUST REMAIN WITHIN DIMENSIONS		THIRD ANGLE PROJECTION	DRAWING	SERIES	MATERIAL NUMBER	CUSTOMER				
			A3-SIZE	505151	SEE SHEET 4	GENERAL MARKET				
						SHEET NUMBER				
						4 OF 4				

0.25 UNDER	±0.03
0.25 OVER 0.5 UNDER	±0.05
0.5 OVER 1.0 UNDER	±0.1
1.0 OVER 10 UNDER	±0.2
10 OVER 30 UNDER	±0.25
30 OVER	±0.3

DOCUMENT STATUS	P1	RELEASE DATE	2018/04/20 09:17:02
-----------------	----	--------------	---------------------

9 8 7 6 5 4 3 2 1

FORMAT: master-ib-prod-A3  
REVISION: 11  
DATE: 2018/01/18