



产品编号 : 5051511200

Product Description : DuraClik TPA Wire-to-Board Receptacle Housing, 12 Circuits, Black

系列号 : 505151

状态 : Active

Product Category : Connector Housings

文件和资源

图纸

图纸 5051511200_sd.pdf

3D 模型和设计文件

3D模型 5051511200_stp.zip

规格

应用规格 AS-505151-002-001.pdf

应用规格 AS-505151-001-001.pdf


包装规格 5051519200-200.pdf

产品规格 5051510002-000.pdf

产品规格 PS-505151-001-001.pdf

产物环境合规

合规

GADSL/IMDS	Compliant
China RoHS	
EU ELV	Compliant per 2000/53/EC
Low-Halogen Status	Low-Halogen per IEC 61249-2-21
REACH SVHC	Not Contained per D(2023)8585-DC (23 Jan 2024)
EU RoHS	Compliant per EU 2015/863

多部分产品合规性声明

- Eu RoHS
- REACH SVHC
- Low-Halogen

- IPC 1752A Class C
- IPC 1752A Class D
- Molex Product Compliance Declaration

- IEC-62474

- chemSHERPA (xml)

欧盟 RoHS 合格证书

产品详情

常规

状态	活动
类别	Connector Housings
系列	505151
说明	DuraClik TPA Wire-to-Board Receptacle Housing, 12 Circuits, Black
应用	Automotive, Signal, Wire-to-Board
产品系列	DuraClik Connector System
产品名称	DuraClik
UPC	887191733807

机构

UL	E29179
----	--------

物理

电路数（最多）	12
颜色-树脂	黑色
阻燃性	94V-2
性别	Receptacle
符合灼热丝规范	否
插接极性	无
锁定插接部位	是
材料 - 树脂	Polyester Alloy
净重	455.600/mg
行数	1
包装形式	Bag
面板安装式	否
间距 - 插配接口	2.00mm
间距 - 终端界面	2.00mm

有极性的插配件	是
端口	1
可堆叠的	否
运行温度范围	-40° to +125° C

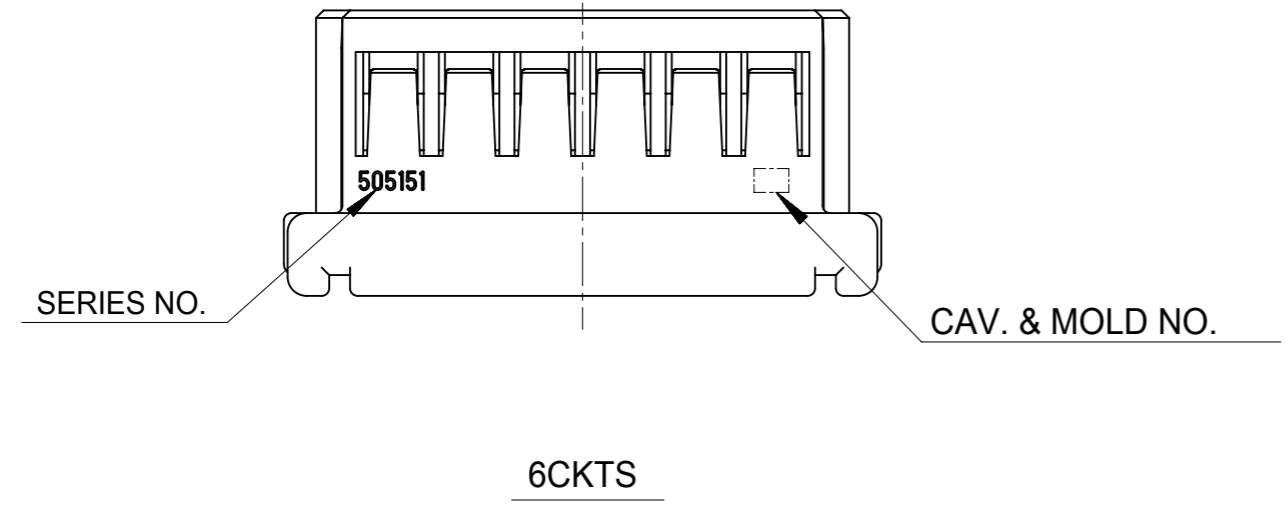
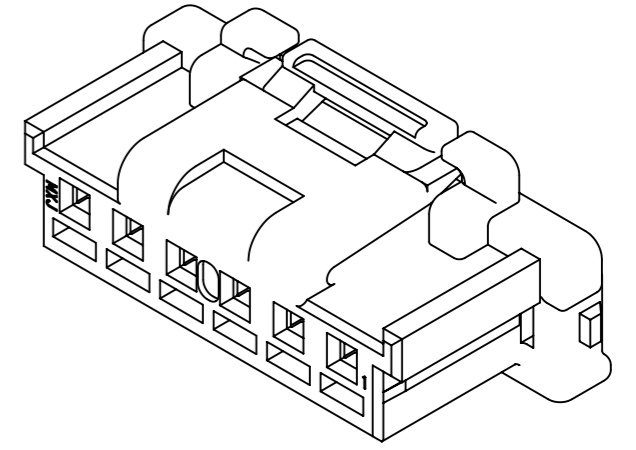
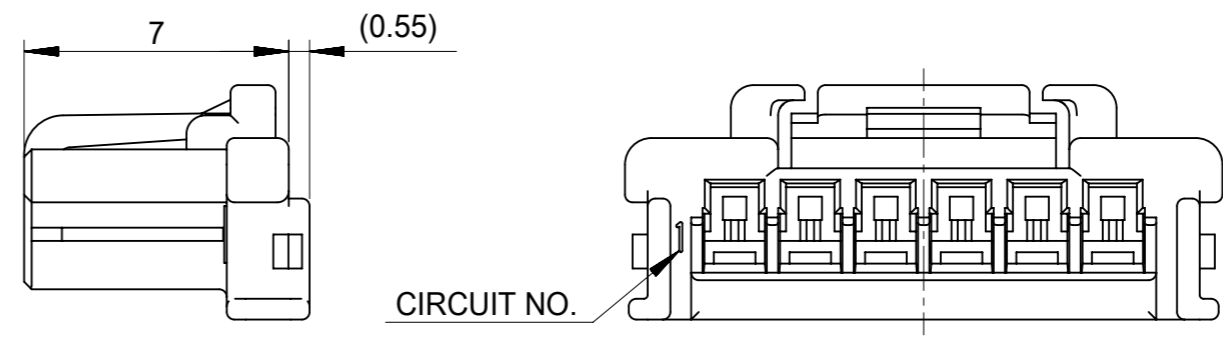
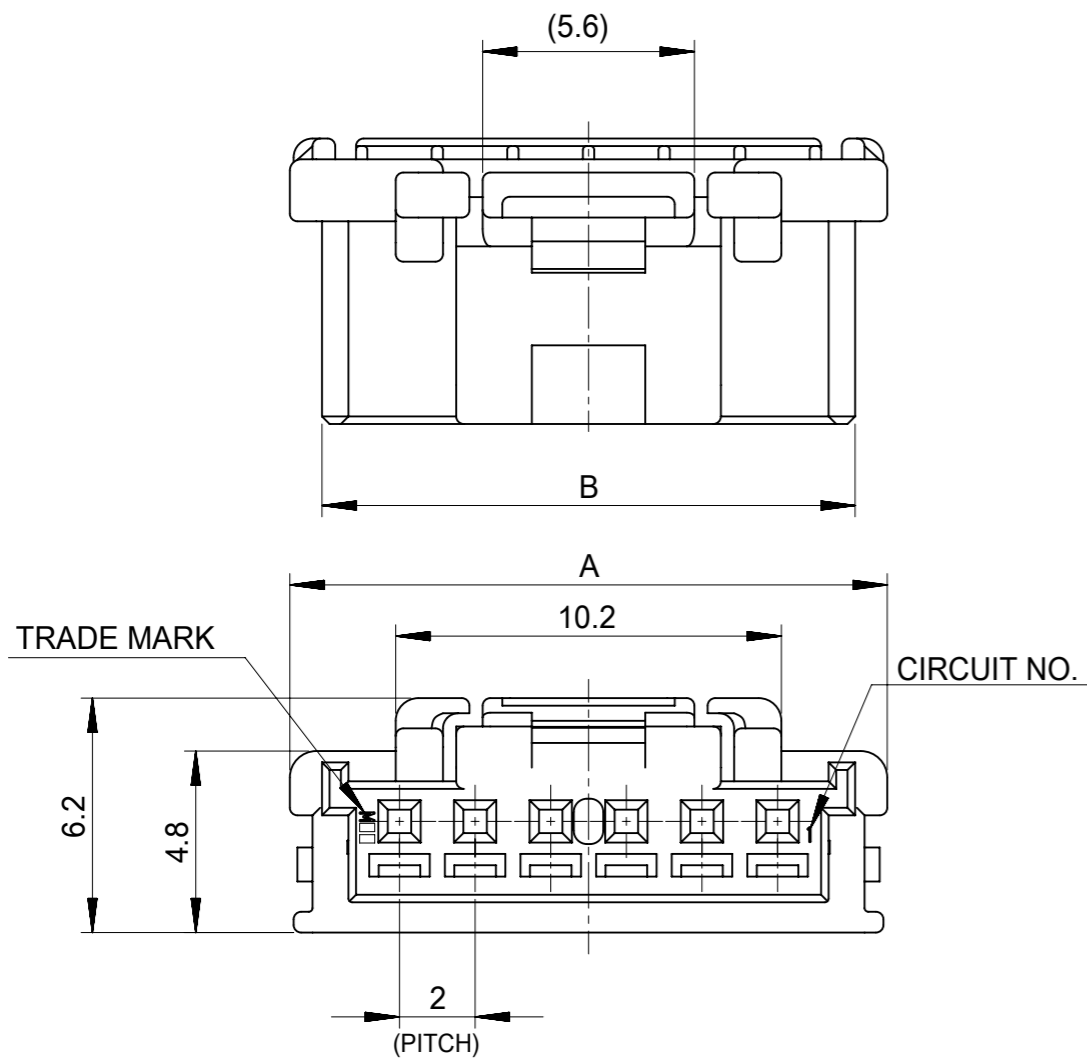
可配插/可连接使用的产品

可配插部件

描述	产品编号
DuraClik Right-Angle Single Row Headers	<u>502352</u>
DuraClik Vertical Single Row Headers	<u>560020</u>

可连接使用部件

描述	产品编号
DuraClik 2-Way Terminal Position Assurance (TPA) Retainers	<u>505152</u>
DuraClik TPA Female Crimp Terminals	<u>505153</u>
DuraClik TPA Female Crimp Terminals	<u>505487</u>



NOTES

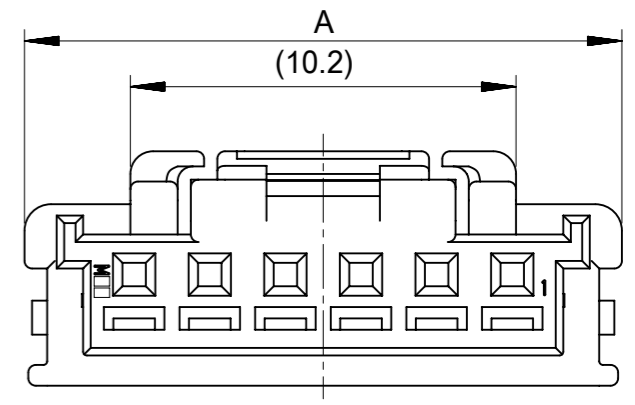
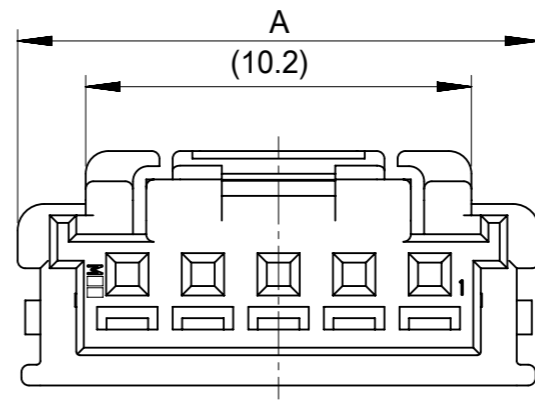
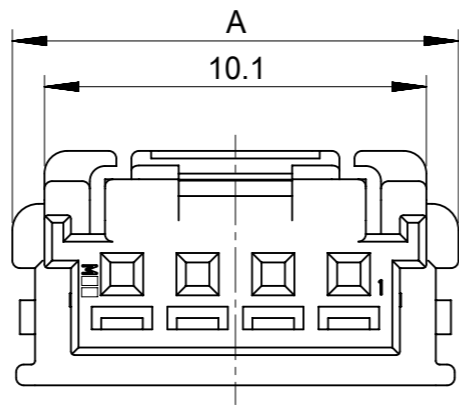
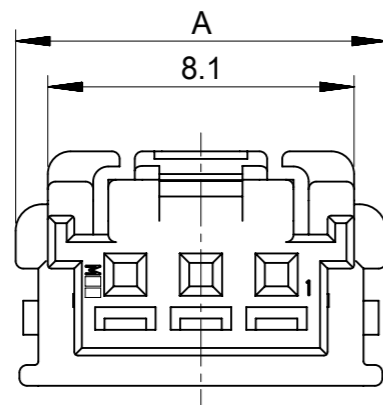
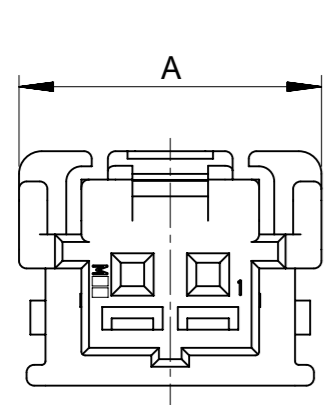
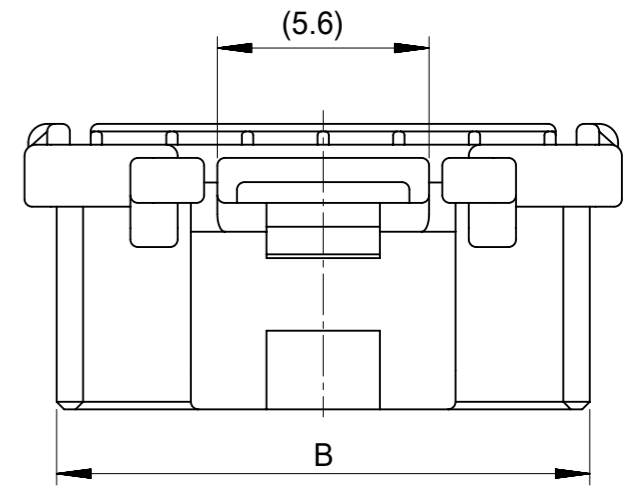
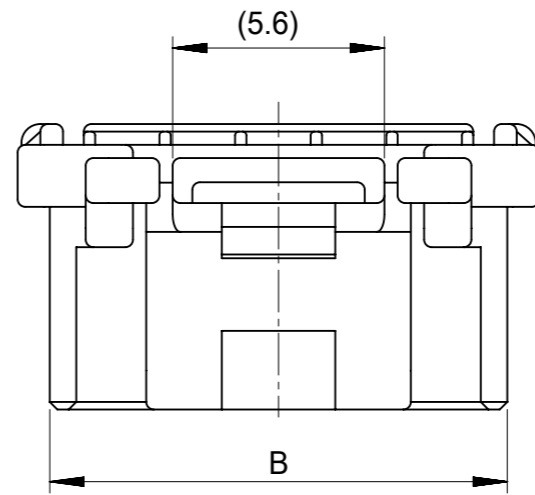
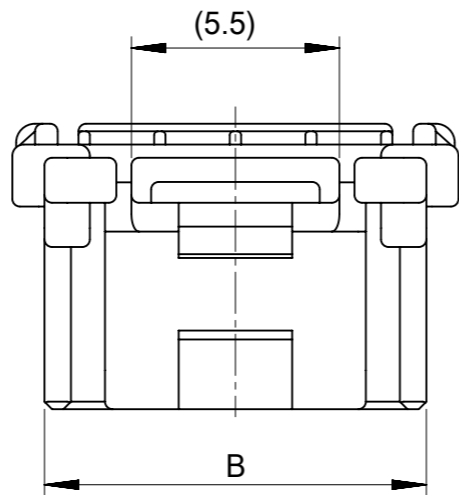
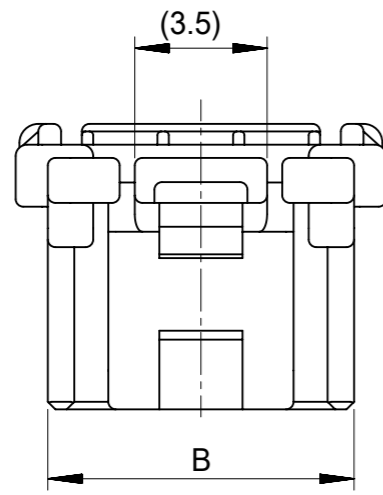
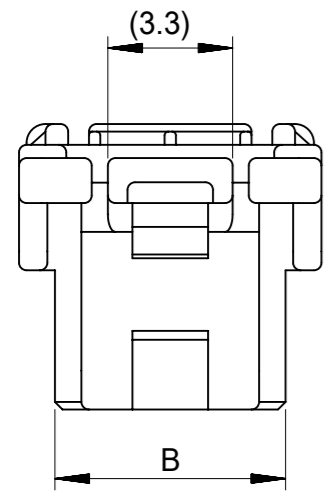
- 1.材料 : PA,UL94V-2
MATERIAL:PA,UL94V-2
- 2.色 : 黒、白、詳細はシート4の表を参照
COLOR:BLACK,WHITE, SEE CHART OF SHEET4
- 3.嵌合端子 : 505153,505487シリーズ
APPLICABLE TERMINAL:505153,505487 SERIES
- 4.嵌合相手 : 502352,560020シリーズ
MATE WITH: 502352, 560020 SERIES
- 5.適合リテーナー : 505152シリーズ
APPLICABLE RETAINER: 505152 SERIES
- 6.ELV 及びRoHS適合
ELV AND RoHS COMPLIANT

34	34	32.1	33.8	505151150*	15
32	32	30.1	31.8	505151140*	14
30	30	28.1	29.8	505151130*	13
28	28	26.1	27.8	505151120*	12
26	26	24.1	25.8	505151110*	11
24	24	22.1	23.8	505151100*	10
22	22	20.1	21.8	505151090*	9
22.6	20	18.1	19.8	505151080*	8
20.6	18	16.1	17.8	505151070*	7
18.6	16	14.1	15.8	505151060*	6
16.6	14	12.1	13.8	505151050*	5
14.6	12	10.1	11.8	505151040*	4
12.6	10	8.1	9.8	505151030*	3
10.9	8	6.1	8.0	505151020*	2
D	C	B	A	MATERIAL NO.	CIRCUIT

THIS DRAWING CONTAINS INFORMATION THAT IS PROPRIETARY TO MOLEX ELECTRONIC TECHNOLOGIES, LLC AND SHOULD NOT BE USED WITHOUT WRITTEN PERMISSION

DIMENSION UNITS mm	SCALE 5:1	CURRENT REV DESC:		molex
GENERAL TOLERANCES (UNLESS SPECIFIED)		EC NO: 175347		
ANGULAR TOL ± 3.0°		DRWN: TMORISHITA	2018/04/20	PRODUCT CUSTOMER DRAWING
4 PLACES ± 0.2		CHK'D: HKOMATSU	2018/04/20	
3 PLACES ± 0.25		APPR: TOSADA	2018/04/20	DOC TYPE PSD
2 PLACES ± 0.3		INITIAL REVISION:		DOC PART 001
1 PLACE ± 0.1		DRWN: MIKEDA01	2014/03/03	REVISION E1
0 PLACES ±		APPR: NUKITA	2014/03/28	MATERIAL NUMBER SEE SHEET 4
DRAFT WHERE APPLICABLE MUST REMAIN WITHIN DIMENSIONS		THIRD ANGLE PROJECTION	DRAWING A3-SIZE	CUSTOMER GENERAL MARKET
		SERIES 505151	SHEET NUMBER 1 OF 4	

0.25 UNDER	±0.03
0.25 OVER 0.5 UNDER	±0.05
0.5 OVER 1.0 UNDER	±0.1
1.0 OVER 10 UNDER	±0.2
10 OVER 30 UNDER	±0.25
30 OVER	±0.3



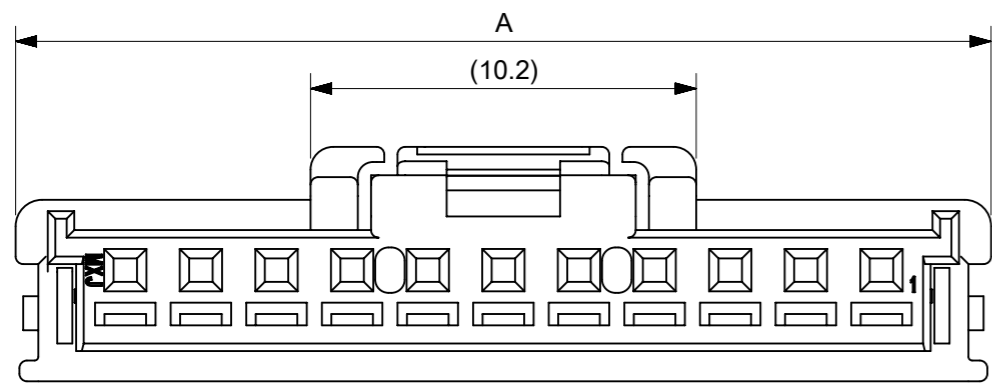
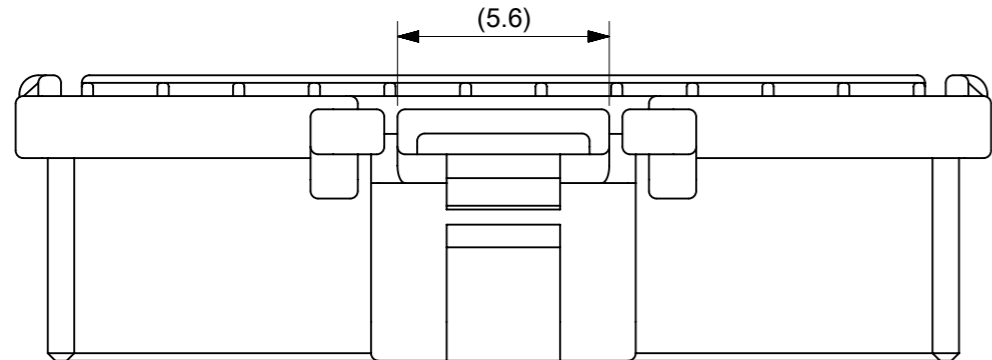
2 CKTS

3 CKTS

4 CKTS

5 CKTS

6-10 CKTS



11 CKT OR MORE

THIS DRAWING CONTAINS INFORMATION THAT IS PROPRIETARY TO MOLEX ELECTRONIC TECHNOLOGIES, LLC AND SHOULD NOT BE USED WITHOUT WRITTEN PERMISSION

DIMENSION UNITS	SCALE
mm	5:1

GENERAL TOLERANCES (UNLESS SPECIFIED)	
0.25 UNDER	±0.03
0.25 OVER 0.5 UNDER	±0.05
0.5 OVER 1.0 UNDER	±0.1
1.0 OVER 10 UNDER	±0.2
10 OVER 30 UNDER	±0.25
30 OVER	±0.3

CURRENT REV DESC:	
EC NO: 175347	2018/04/20
DRWN: TMORISHITA	2018/04/20
CHK'D: HKOMATSU	2018/04/20
APPR: TOSADA	2018/04/20
INITIAL REVISION:	
DRWN: MIKEDA01	2014/03/03
APPR: NUKITA	2014/03/28

molex

2.0MM PITCH W/B CONN.

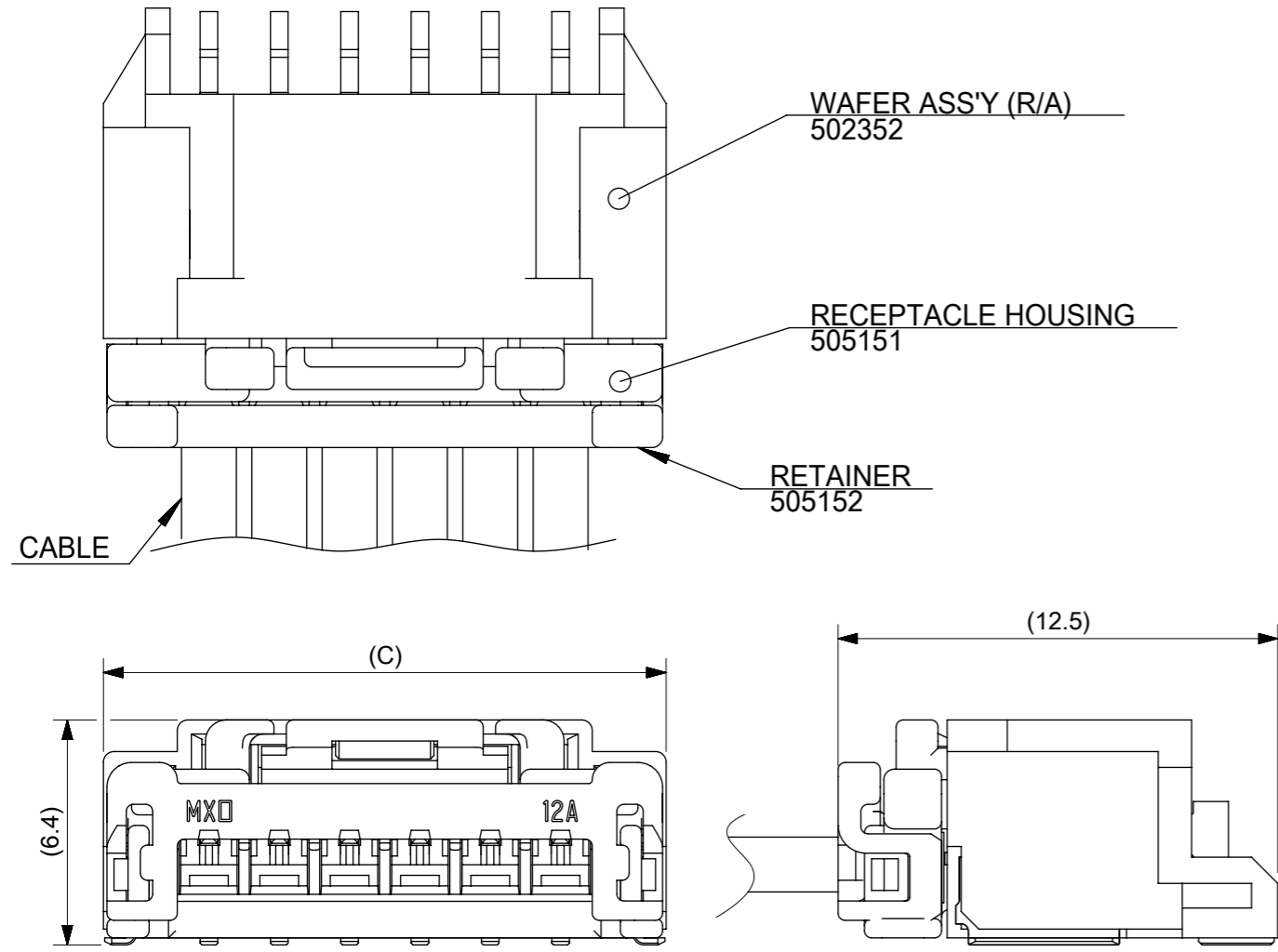
PRODUCT CUSTOMER DRAWING

DOCUMENT NUMBER	DOC TYPE	DOC PART	REVISION
SD-505151-001	PSD	001	E1

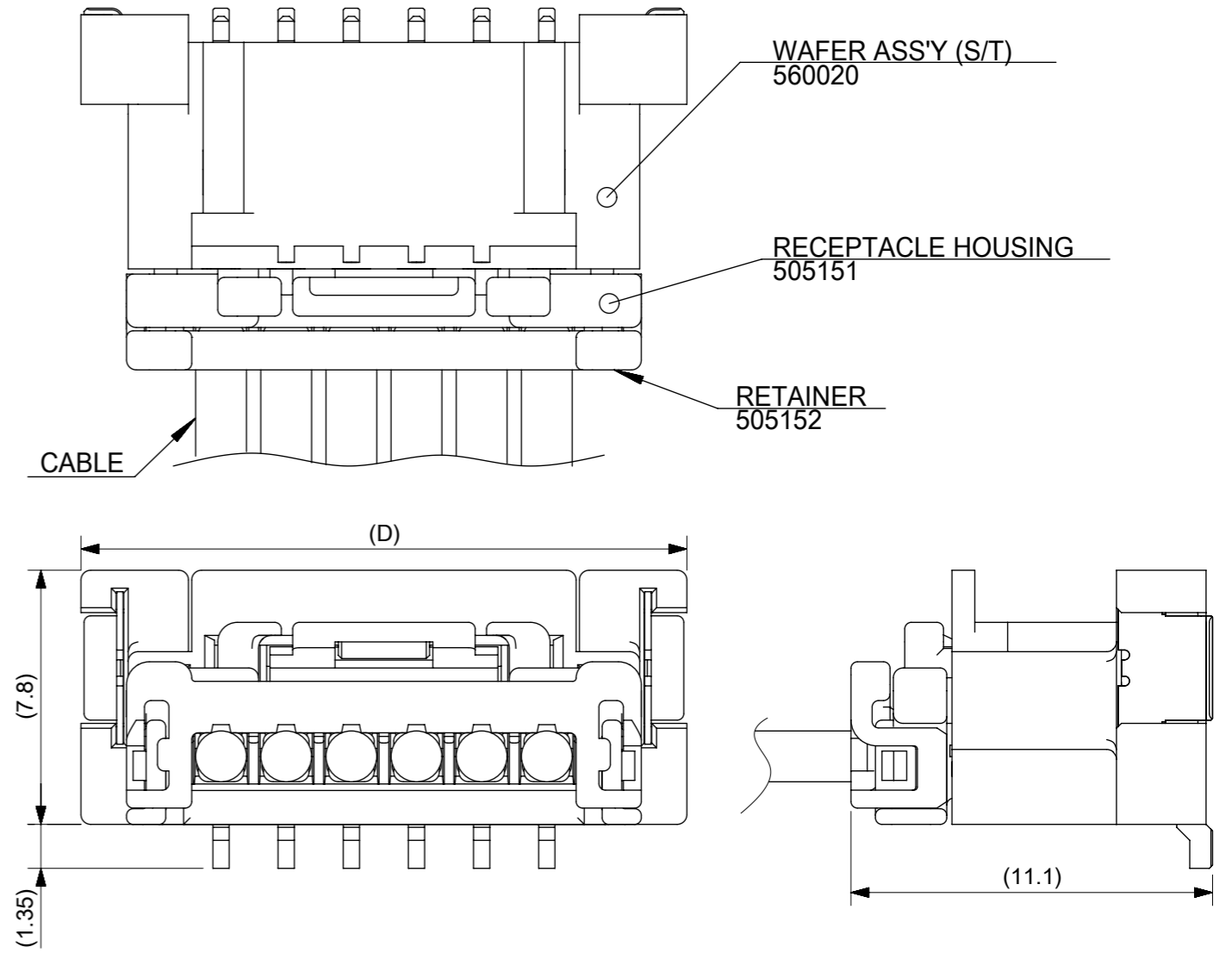
MATERIAL NUMBER	CUSTOMER	SHEET NUMBER
SEE SHEET 4	GENERAL MARKET	2 OF 4

嵌合図

Right Angle: 502352 series



Straight: 560020 series



THIS DRAWING CONTAINS INFORMATION THAT IS PROPRIETARY TO MOLEX ELECTRONIC TECHNOLOGIES, LLC AND SHOULD NOT BE USED WITHOUT WRITTEN PERMISSION

DIMENSION UNITS	SCALE	CURRENT REV DESC:		molex		
mm	5:1					
GENERAL TOLERANCES (UNLESS SPECIFIED)		EC NO: 175347		2.0MM PITCH W/B CONN.		
ANGULAR TOL ± 3.0°		DRWN: TMORISHITA 2018/04/20		PRODUCT CUSTOMER DRAWING		
4 PLACES ± 0.2		CHK'D: HKOMATSU 2018/04/20		DOCUMENT NUMBER		
3 PLACES ± 0.25		APPR: TOSADA 2018/04/20		SD-505151-001		
2 PLACES ± 0.3		INITIAL REVISION:		DOC TYPE		
1 PLACE ± 0.1		DRWN: MIKEDA01 2014/03/03		PSD		
0 PLACES ±		APPR: NUKITA 2014/03/28		DOC PART		
DRAFT WHERE APPLICABLE MUST REMAIN WITHIN DIMENSIONS		THIRD ANGLE PROJECTION		REVISION		
		DRAWING		001		
		SERIES		E1		
		MATERIAL NUMBER		SEE SHEET 4		
		CUSTOMER		GENERAL MARKET		
		SHEET NUMBER		3 OF 4		

0.25 UNDER	±0.03
0.25 OVER 0.5 UNDER	±0.05
0.5 OVER 1.0 UNDER	±0.1
1.0 OVER 10 UNDER	±0.2
10 OVER 30 UNDER	±0.25
30 OVER	±0.3

9 8 7 6 5 4 3 2 1

E

E

D

D

C

C

B


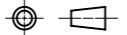
B

A

A

WHITE	BLACK	HSG COLOR
5051511501	5051511500	15
5051511401	5051511400	14
5051511301	5051511300	13
5051511201	5051511200	12
5051511101	5051511100	11
5051511001	5051511000	10
5051510901	5051510900	9
5051510801	5051510800	8
5051510701	5051510700	7
5051510601	5051510600	6
5051510501	5051510500	5
5051510401	5051510400	4
5051510301	5051510300	3
5051510201	5051510200	2
MATERIAL NO.	MATERIAL NO.	CIRCUIT

THIS DRAWING CONTAINS INFORMATION THAT IS PROPRIETARY TO MOLEX ELECTRONIC TECHNOLOGIES, LLC AND SHOULD NOT BE USED WITHOUT WRITTEN PERMISSION

DIMENSION UNITS		SCALE		CURRENT REV DESC:													
mm		5:1															
GENERAL TOLERANCES (UNLESS SPECIFIED)				EC NO: 175347 DRWN: TMORISHITA 2018/04/20 CHK'D: HKOMATSU 2018/04/20 APPR: TOSADA 2018/04/20 INITIAL REVISION: DRWN: MIKEDA01 2014/03/03 APPR: NUKITA 2014/03/28				PRODUCT CUSTOMER DRAWING									
ANGULAR TOL		± 3.0 °						DOCUMENT NUMBER				DOC TYPE		DOC PART		REVISION	
4 PLACES		± 0.2						SD-505151-001				PSD		001		E1	
3 PLACES		± 0.25						MATERIAL NUMBER				CUSTOMER		SHEET NUMBER			
2 PLACES		± 0.3						SEE SHEET 4				GENERAL MARKET		4 OF 4			
1 PLACE		± 0.1		DRAFT WHERE APPLICABLE MUST REMAIN WITHIN DIMENSIONS		THIRD ANGLE PROJECTION		DRAWING		SERIES		MATERIAL NUMBER		CUSTOMER		SHEET NUMBER	
0 PLACES		±						A3-SIZE		505151		SEE SHEET 4		GENERAL MARKET		4 OF 4	

0.25 UNDER	±0.03
0.25 OVER 0.5 UNDER	±0.05
0.5 OVER 1.0 UNDER	±0.1
1.0 OVER 10 UNDER	±0.2
10 OVER 30 UNDER	±0.25
30 OVER	±0.3

DOCUMENT STATUS	P1	RELEASE DATE	2018/04/20	09:17:02
-----------------	----	--------------	------------	----------

9 8 7 6 5 4 3 2 1