

产品编号：[5051520800](#)

Product Description：DuraClik Wire-to-Board 2-Way Terminal Position Assurance (TPA) Retainer, 8 Circuits

系列号：505152

状态：Active

Product Category：Connector Accessories



## 文件和资源

### 图纸

[图纸 5051520800\\_sd.pdf](#)

### 3D 模型和设计文件

[3D模型 5051520800\\_stp.zip](#)

### 规格

[应用规格 AS-505151-002-001.pdf](#)

[应用规格 AS-505151-001-001.pdf](#)


[包装规格 SPK-505152-001-001.pdf](#)

[产品规格 5051510002-000.pdf](#)

[产品规格 PS-505151-001-001.pdf](#)

## 产物环境合规

### 合规

|                    |   |
|--------------------|---|
| GADSL/IMDS         | Duty-To-Declare   |
| China RoHS         |  |
| EU ELV             | Compliant per 2000/53/EC  |
| Low-Halogen Status | Not Low-Halogen per IEC 61249-2-21  |
| REACH SVHC         | Not Contained per D(2023)3788-DC (14 Jun 2023)  |
| EU RoHS            | Compliant per EU 2015/863   |

### [多部分产品合规性声明](#)

- Eu RoHS
- REACH SVHC
- Low-Halogen

## 多部分行业合规性文件

- IPC 1752A Class C
- IPC 1752A Class D
- Molex Product Compliance Declaration
- IEC-62474
- chemSHERPA (xml)

## 欧盟 RoHS 合格证书

---

### 产品详情

#### 常规

|      |   |
|------|---|
| 状态   | 活动  |
| 类别   | Connector Accessories   |
| 系列   | 505152  |
| 说明   | DuraClik Wire-to-Board 2-Way Terminal Position Assurance (TPA) Retainer, 8 Circuits |
| 应用   | 汽车  |
| 元件类型 | Terminal Position Assurance   |
| 产品系列 | DuraClik Connector System   |
| 产品名称 | DuraClik  |
| UPC  | 887191735207  |

#### 电气

|         |      |
|---------|------|
| 每触点最大电流 | 3.0A |
|---------|------|

#### 物理

|           |                      |
|-----------|----------------------|
| 回路数 (已载入) | 8                    |
| 电路数 (最多)  | 8                    |
| 锁定插接部位    | 是                    |
| 材料 - 树脂   | PBT                  |
| 净重        | 99.400/mg            |
| 行数        | 1                    |
| 包装形式      | Bag                  |
| 有极性的插配件   | 是                    |
| 运行温度范围    | -40° to +125° C      |
| 终端界面类型    | Crimp or Compression |

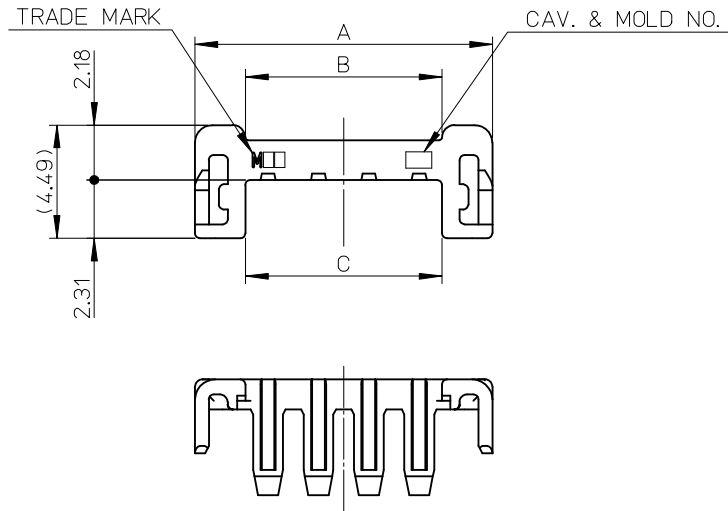
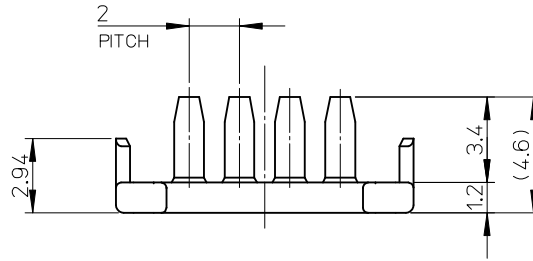
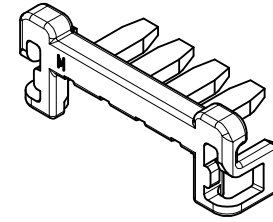
---

可连接使用部件

| 描述  | 产品编号          |
|---|---------------|
| DuraClik TPA Single Row Receptacle Housings | <u>505151</u> |
| DuraClik TPA Female Crimp Terminals         | <u>505153</u> |

---

This document was generated on Feb 28, 2024



NOTES

1. 材料:PBT (ガラス入り)  
PBT (G.F.)
2. 適合ハウジング:505151シリーズ  
APPLICABLE HOUSING: 505151 SERIES
3. 適合ターミナル:505153シリーズ  
APPLICABLE TERMINAL: 505153 SERIES
4. ELV及びRoHS適合  
ELV AND RoHS COMPLIANT

|      |      |      |              |         |
|------|------|------|--------------|---------|
| 29.8 | 10.4 | 33.8 | 5051521500   | 15      |
| 27.8 | 10.4 | 31.8 | 5051521400   | 14      |
| 25.8 | 10.4 | 29.8 | 5051521300   | 13      |
| 23.8 | 10.4 | 27.8 | 5051521200   | 12      |
| 21.8 | 10.4 | 25.8 | 5051521100   | 11      |
| 19.8 | 10.4 | 23.8 | 5051521000   | 10      |
| 17.8 | 10.4 | 21.8 | 5051520900   | 9       |
| 15.8 | 10.4 | 19.8 | 5051520800   | 8       |
| 13.8 | 13.8 | 17.8 | 5051520700   | 7       |
| 11.8 | 11.8 | 15.8 | 5051520600   | 6       |
| 9.8  | 9.8  | 13.8 | 5051520500   | 5       |
| 7.8  | 7.8  | 11.8 | 5051520400   | 4       |
| 5.8  | 5.8  | 9.8  | 5051520300   | 3       |
| 3.8  | 3.8  | 7.8  | 5051520200   | 2       |
| C    | B    | A    | MATERIAL NO. | CKT NO. |

|   |                                       |            |                            |   |   |                        |                        |  |
|---|---------------------------------------|------------|----------------------------|---|---|------------------------|------------------------|--|
| RELEASED<br>EC NO: J2015-0035<br>DRWN:MIKEDA01 2014/07/08<br>CHKD:KASAKAWA 2014/07/11<br>APPR:NUKITA 2014/07/15 | GENERAL TOLERANCES (UNLESS SPECIFIED) |            | DIMENSION STYLE<br>MM ONLY |   | SCALE<br>5:1                                | DESIGN UNITS<br>METRIC | THIRD ANGLE PROJECTION |  |
|   | 10 UNDER                              | ±0.2       | DRAWN BY<br>MIKEDA01       | DATE<br>2014/03/03  | TITLE<br>2.0MM PITCH W/B CONN. RETAINER     |                        |                        |  |
|   | 10 OVER 30 UNDER                      | ±0.25      | CHECKED BY<br>KASAKAWA     | DATE<br>2014/03/04  |   |                        |                        |  |
|   | 30 OVER                               | ±0.3       | APPROVED BY<br>NUKITA      | DATE<br>2014/03/28  | DOCUMENT NO. SD-505152-001 SHEET NO. 1 OF 1 |                        |                        |  |
|   | ANGULAR ±3 °                          |            | MATERIAL NO.<br>SEE CHART  |   |   |                        |                        |  |
| DRAFT WHERE APPLICABLE MUST REMAIN WITHIN DIMENSIONS  |                                       | SIZE<br>A3 |                            | THIS DRAWING CONTAINS INFORMATION THAT IS PROPRIETARY TO MOLEX INCORPORATED AND SHOULD NOT BE USED WITHOUT WRITTEN PERMISSION |   |                        |                        |  |