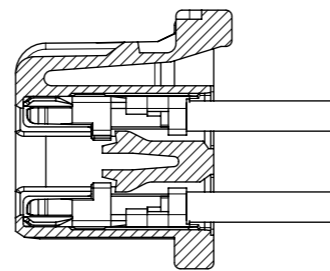
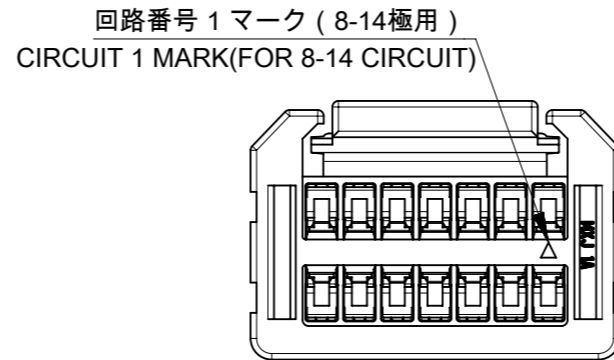
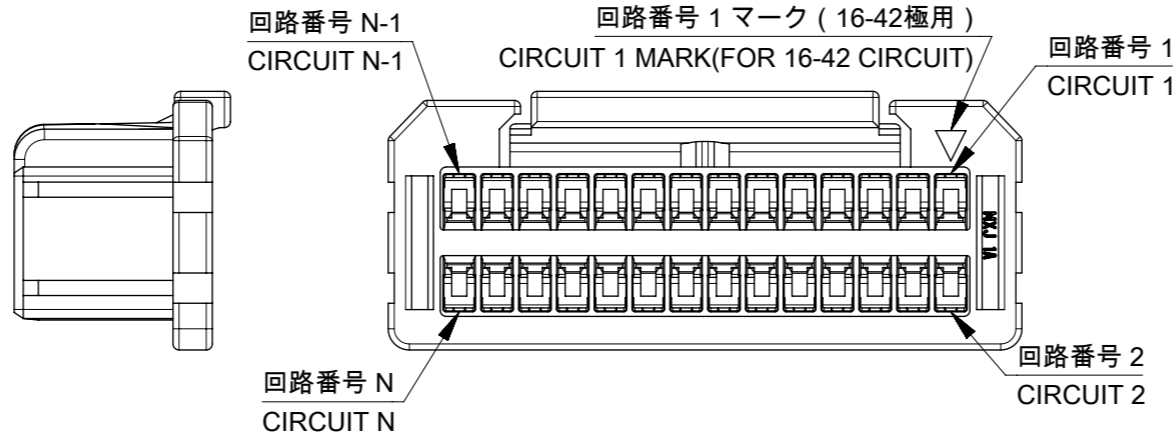


勝特力電材超市-龍山店 886-3-5773766
 勝特力電材超市-光復店 886-3-5729570
 勝特力電子(上海) 86-21-34970699
 勝特力電子(深圳) 86-755-83298787
<http://www.100y.com.tw>



ターミナル装着図
TERMINAL ASSEMBLY DRAWING

注記:

NOTES:

- ① 材質: TABLE 1参照
MATERIAL: SEE TABLE 1.
- ② 極数 / 2 = 偶数に適合
APPLY TO CIRCUIT SIZE / 2 = EVEN.
- ③ 製品仕様書、コネクタ取扱説明書、適合嵌合相手、適合ターミナルは SHEET 3をご参照ください。
PLEASE REFER TO SHEET 3 FOR PRODUCT SPECIFICATION, APPLICATION SPECIFICATION, MATE WITH AND APPLICABLE TERMINAL.
- ④ 発注番号: SHEET 3 参照
ORDER NUMBER: PLEASE REFER TO SHEET 3

505432 ** 0 *

極数 CIRCUIT SIZE	↑	↑	番号 NO.	ハウジングカラー HOUSING COLOR
			0	ナチュラル(白) NATURAL (WHITE)
			1	黒 BLACK
			2	赤 RED
			4	青 BLUE
			6	緑 GREEN

25	29.7	42
23.75	28.45	40
22.5	27.2	38
21.25	25.95	36
20	24.7	34
18.75	23.45	32
17.5	22.2	30
16.25	20.95	28
15	19.7	26
13.75	18.45	24
12.5	17.2	22
11.25	15.95	20
10	14.7	18
8.75	13.45	16
7.5	12.2	14
6.25	10.95	12
5	9.7	10
3.75	8.45	8
B	A	極数 CIRCUIT SIZE

TABLE 1

部品 PART	材質 MATERIAL
ハウジング HOUSING	ポリエステル(PBT), UL94V-0, 色: SHEET 3参照 POLYESTER(PBT), UL94V-0, COLOR:SEE SHEET 3.
DOCUMENT STATUS	P1
RELEASE DATE	2023/02/16 15:22:23

THIS DRAWING CONTAINS INFORMATION THAT IS PROPRIETARY TO MOLEX ELECTRONIC TECHNOLOGIES, LLC AND SHOULD NOT BE USED WITHOUT WRITTEN PERMISSION		CURRENT REV DESC:		molex	
DIMENSION UNITS	SCALE				
mm	NTS			MICRO-LOCK PLUS 1.25 W/B DUAL ROW RECEPTACLE HOUSING	
GENERAL TOLERANCES (UNLESS SPECIFIED)				PRODUCT CUSTOMER DRAWING	
ANGULAR TOL	± 3.0°			DOCUMENT NUMBER	
4 PLACES	± 0.2	EC NO: 736271	2022/12/27	5054320000	
3 PLACES	± 0.2	DRWN: SOKUMURA01	2023/02/16	DOC TYPE	DOC PART
2 PLACES	± 0.2	CHK'D: SAKIYAMA	2023/02/16	PSD	000
1 PLACE	± 0.2	APPR: AIDA	2023/02/16	H	
0 PLACES	± 0.2	INITIAL REVISION:		SHEET NUMBER	
		DRWN: TAKAIKE	2017/02/10	1 OF 3	
		APPR: TKANEKO	2017/04/03		
DRAFT WHERE APPLICABLE MUST REMAIN WITHIN DIMENSIONS		THIRD ANGLE PROJECTION	DRAWING	SERIES	MATERIAL NUMBER
			A3-SIZE	505432	CUSTOMER
				SEE SHEET 3	GENERAL

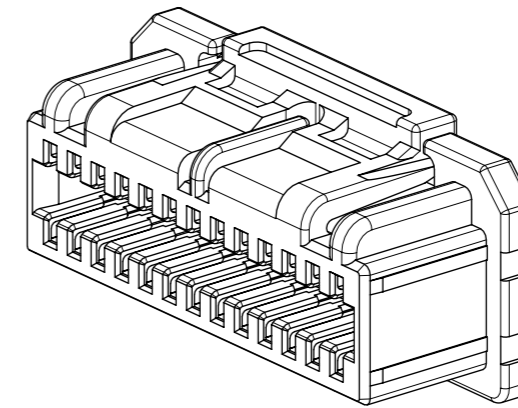
製品形状
PRODUCT SHAPE



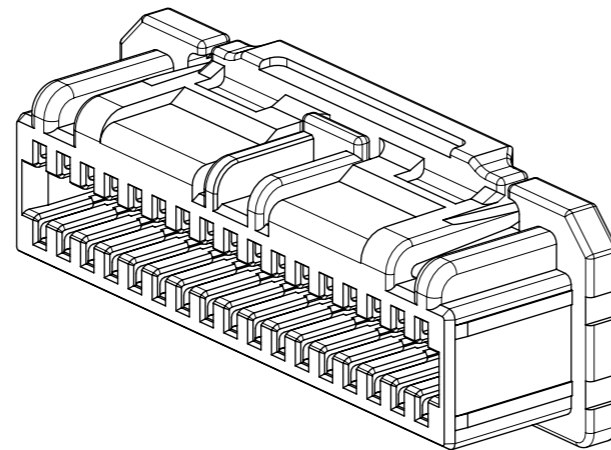
8-14極
8-14 CIRCUIT



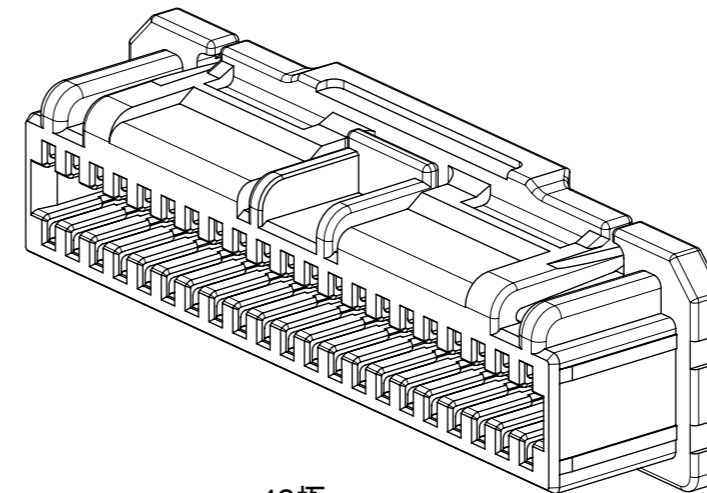
16-24極
16-24 CIRCUIT



26-32極
26-32 CIRCUIT



34-40極
34-40 CIRCUIT



42極
42 CIRCUIT

THIS DRAWING CONTAINS INFORMATION THAT IS PROPRIETARY TO MOLEX ELECTRONIC TECHNOLOGIES, LLC AND SHOULD NOT BE USED WITHOUT WRITTEN PERMISSION									
DIMENSION UNITS		SCALE		CURRENT REV DESC:				molex	
mm		NTS							
GENERAL TOLERANCES (UNLESS SPECIFIED)				EC NO: 736271				MICRO-LOCK PLUS 1.25 W/B DUAL ROW RECEPTACLE HOUSING	
ANGULAR TOL ± 3.0 °				DRWN: SOKUMURA01 2022/12/27					
4 PLACES ± 0.2				CHK'D: SAKIYAMA 2023/02/16				PRODUCT CUSTOMER DRAWING	
3 PLACES ± 0.2				APPR: AIDA 2023/02/16					
2 PLACES ± 0.2				INITIAL REVISION:				DOCUMENT NUMBER	
1 PLACE ± 0.2				DRWN: TAKAIKE 2017/02/10				5054320000	
0 PLACES ± 0.2				APPR: TKANEKO 2017/04/03				PSD 000 H	
DRAFT WHERE APPLICABLE MUST REMAIN WITHIN DIMENSIONS		THIRD ANGLE PROJECTION		DRAWING		SERIES		MATERIAL NUMBER	
				A3-SIZE		505432		SEE SHEET 3	
						CUSTOMER		SHEET NUMBER	
						GENERAL		2 OF 3	

△ 3 適合製品及び各種仕様書 APPLICABLE PRODUCTS AND VARIOUS SPECIFICATIONS

梱包仕様書 PACKAGING SPECIFICATION	PART NUMBER		SPECIFICATION NUMBER	
	505432**0*		5054329200 PS 200	
適合ターミナル APPLICABLE TERMINAL	PART NUMBER		PLATING TYPE	WIRE SIZE(AWG)
	5054311000		TIN	
	5054311*00 1,2,3 ↑		GOLD	#26-30
適合嵌合相手 MATE WITH	TIN PLATING		GOLD PLATING	
	VERTICAL	RIGHT ANGLE	VERTICAL	RIGHT ANGLE
シリーズ番号 SERIES NUMBER	505433**** 7,8 ↑	505448**7*	505433**** 2,3,4,5,6,9 ↑	505448**** 3,5,9 ↑
製品仕様書 PRODUCT SPECIFICATION	5054320000 PS 002		5054320000 PS 006	
コネクタ取扱説明書 APPLICATION SPECIFICATION	5054320000-AS PS 000			

製品嵌合図は各嵌合相手図面を参照のこと
MATING VIEW : REFER TO EACH "MATE WITH" PART DRAWING.

△ 4 505432**0* 発注番号一覧 ORDER NUMBER LIST

GREEN	BLUE	RED	BLACK	NATURAL (WHITE)	HOUSING COLOR
5054324206	5054324204	5054324202	5054324201	5054324200	42
5054324006	5054324004	5054324002	5054324001	5054324000	40
5054323806	5054323804	5054323802	5054323801	5054323800	38
5054323606	5054323604	5054323602	5054323601	5054323600	36
5054323406	5054323404	5054323402	5054323401	5054323400	34
5054323206	5054323204	5054323202	5054323201	5054323200	32
5054323006	5054323004	5054323002	5054323001	5054323000	30
5054322806	5054322804	5054322802	5054322801	5054322800	28
5054322606	5054322604	5054322602	5054322601	5054322600	26
5054322406	5054322404	5054322402	5054322401	5054322400	24
5054322206	5054322204	5054322202	5054322201	5054322200	22
5054322006	5054322004	5054322002	5054322001	5054322000	20
5054321806	5054321804	5054321802	5054321801	5054321800	18
5054321606	5054321604	5054321602	5054321601	5054321600	16
5054321406	5054321404	5054321402	5054321401	5054321400	14
5054321206	5054321204	5054321202	5054321201	5054321200	12
5054321006	5054321004	5054321002	5054321001	5054321000	10
5054320806	5054320804	5054320802	5054320801	5054320800	8
発注番号 ORDER NUMBER					極数 CIRCUIT SIZE
梱包形態 : ポリ袋 PACKAGING : POLYBAG PACKAGE					

THIS DRAWING CONTAINS INFORMATION THAT IS PROPRIETARY TO MOLEX ELECTRONIC TECHNOLOGIES, LLC AND SHOULD NOT BE USED WITHOUT WRITTEN PERMISSION									
DIMENSION UNITS		SCALE		CURRENT REV DESC:				molex	
mm		NTS							
GENERAL TOLERANCES (UNLESS SPECIFIED)				EC NO: 736271				MICRO-LOCK PLUS 1.25 W/B DUAL ROW RECEPTACLE HOUSING	
ANGULAR TOL ± 3.0 °				DRWN: SOKUMURA01 2022/12/27					
4 PLACES ± 0.2				CHK'D: SAKIYAMA 2023/02/16				PRODUCT CUSTOMER DRAWING	
3 PLACES ± 0.2				APPR: AIDA 2023/02/16					
2 PLACES ± 0.2				INITIAL REVISION:				DOCUMENT NUMBER	
1 PLACE ± 0.2				DRWN: TAKAIKE 2017/02/10				5054320000	
0 PLACES ± 0.2				APPR: TKANEKO 2017/04/03				PSD 000 H	
DRAFT WHERE APPLICABLE MUST REMAIN WITHIN DIMENSIONS		THIRD ANGLE PROJECTION		DRAWING		SERIES		MATERIAL NUMBER	
				A3-SIZE		505432		SEE CHART	
						CUSTOMER		GENERAL	
								SHEET NUMBER	
								3 OF 3	



产品编号 : [5054321001](#)

Product Description : 1.25mm Pitch, Micro-Lock Plus Receptacle Crimp Housing, Dual Row, Positive Lock, 10 Circuits, Black

系列号 : 505432

状态 : Active

Product Category : Connector Housings



文件和资源

图纸

[图纸 5054321001_sd.pdf](#)

3D 模型和设计文件

[3D模型 5054321001_stp.zip](#)

规格

[应用规格 5054320000-AS-000.pdf](#)

[包装规格 5054329200-200.pdf](#)

[产品规格 5054320000-002.pdf](#)

[产品规格 5054320000-005.pdf](#)

[产品规格 5054320000-006.pdf](#)

[产品规格 5054321000-PS-002.pdf](#)

[产品规格 5054321000-PS-006.pdf](#)

产物环境合规

合规

GADSL/IMDS	Not Relevant
China RoHS	
EU ELV	Not Relevant
Low-Halogen Status	Not Low-Halogen per IEC 61249-2-21
REACH SVHC	Not Contained per D(2023)3788-DC (14 Jun 2023)
EU RoHS	Compliant per EU 2015/863

多部分产品合规性声明

- Eu RoHS

- REACH SVHC

- Low-Halogen

多部分行业合规性文件

- IPC 1752A Class C

- IPC 1752A Class D

- Molex Product Compliance Declaration

- IEC-62474

- chemSHERPA (xml)

欧盟 RoHS 合格证书

产品详情

常规

状态	活动
类别	Connector Housings
系列	505432
说明	1.25mm Pitch, Micro-Lock Plus Receptacle Crimp Housing, Dual Row, Positive Lock, 10 Circuits, Black
应用	Signal, Wire-to-Board
产品系列	Micro-Lock Connector System
产品名称	Micro-Lock Plus
UPC	889056764872

机构

UL	E29179
----	--------

物理

电路数（最多）	10
颜色-树脂	黑色
性别	Receptacle
符合灼热丝规范	否
插接极性	无
锁定插接部位	是
材料 - 树脂	Polyester
净重	261.670/mg
行数	2

包装形式	Bag
面板安装式	否
间距 - 插配接口	1.25mm
间距 - 终端界面	1.25mm
有极性的插配件	是
运行温度范围	-40° to +105° C

可配插/可连接使用的产品

可配插部件

描述	产品编号
1.25mm Pitch Micro-Lock Plus Vertical, Dual Row, Surface Mount Headers	<u>505433</u>
1.25mm Pitch Micro-Lock Plus Right-Angle, Dual Row, Surface Mount Headers	<u>505448</u>

可连接使用部件

描述	产品编号
Pre-Crimped Lead Micro-Lock Plus Female-to-Micro-Lock Plus Female, Tin (Sn) Plating, 150.00mm Length, 26 AWG, Black	<u>/content/molex/molex-dot-com/cn/zh/products/product-page.html/797581148.html</u>
Pre-Crimped Lead Micro-Lock Plus Female-to-Micro-Lock Plus Female, Tin (Sn) Plating, 300.00mm Length, 26 AWG, Black	<u>/content/molex/molex-dot-com/cn/zh/products/product-page.html/797581149.html</u>
Pre-Crimped Lead Micro-Lock Plus Female-to-Micro-Lock Plus Female, Gold (Au) Plating, 150.00mm Length, 26 AWG, Black	<u>/content/molex/molex-dot-com/cn/zh/products/product-page.html/797582143.html</u>
Pre-Crimped Lead Micro-Lock Plus Female-to-Micro-Lock Plus Female, Gold (Au) Plating, 300.00mm Length, 26 AWG, Black	<u>/content/molex/molex-dot-com/cn/zh/products/product-page.html/797582144.html</u>
Micro-Lock Plus Female Crimp Terminals	<u>505431</u>