



产品编号 : 5054321401

系列号 : 505432

Product Category : Connector Housings

Product Description : 1.25mm Pitch, Micro-Lock Plus Receptacle Crimp Housing, Dual Row, Positive Lock, 14 Circuits, Black

状态 : Active

文件和资源

图纸

图纸 5054321401_sd.pdf

3D 模型和设计文件

2D 图纸 DXF 5054321401.dxf

2D 图纸 DXF PDF 5054321401.pdf

3D模型 5054321401_stp.zip

规格

应用规格 5054320000-AS-000.pdf

包装规格 5054329200-200.pdf

产品规格 5054320000-002.pdf

产品规格 5054320000-005.pdf


产品规格 5054320000-006.pdf

产品规格 5054321000-PS-002.pdf

产品规格 5054321000-PS-006.pdf

产物环境合规

合规

| | |
|--------------------|---|
| GADSL/IMDS | Not Relevant |
| China RoHS |  |
| EU ELV | Not Relevant |
| Low-Halogen Status | Not Low-Halogen per IEC 61249-2-21 |
| REACH SVHC | Not Contained per D(2023)8585-DC (23 Jan 2024) |
| EU RoHS | Compliant per EU 2015/863 |

多部分产品合规性声明

- Eu RoHS

- REACH SVHC

- Low-Halogen
- IPC 1752A Class C
- IPC 1752A Class D
- Molex Product Compliance Declaration
- IEC-62474
- chemSHERPA (xml)

欧盟 RoHS 合格证书

产品详情

常规

| | |
|------|---|
| 状态 | 活动 |
| 类别 | Connector Housings |
| 系列 | 505432 |
| 说明 | 1.25mm Pitch, Micro-Lock Plus Receptacle Crimp Housing, Dual Row, Positive Lock, 14 Circuits, Black |
| 应用 | Signal, Wire-to-Board |
| 产品系列 | Micro-Lock Connector System |
| 产品名称 | Micro-Lock Plus |
| UPC | 889056764896 |

机构

| | |
|----|--------|
| UL | E29179 |
|----|--------|

物理

| | |
|----------|------------|
| 电路数 (最多) | 14 |
| 颜色-树脂 | 黑色 |
| 性别 | Receptacle |
| 符合灼热丝规范 | 否 |
| 插接极性 | 无 |
| 锁定插接部位 | 是 |
| 材料 - 树脂 | Polyester |
| 净重 | 328.020/mg |
| 行数 | 2 |
| 包装形式 | Bag |

| | |
|-----------|-----------------|
| 面板安装式 | 否 |
| 间距 - 插配接口 | 1.25mm |
| 间距 - 终端界面 | 1.25mm |
| 有极性的插配件 | 是 |
| 运行温度范围 | -40° to +105° C |

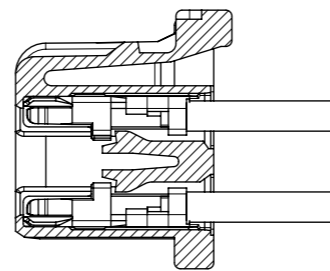
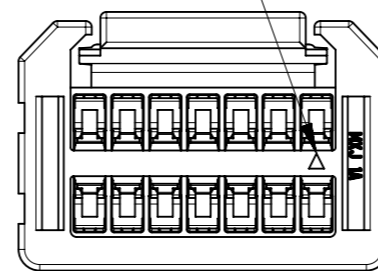
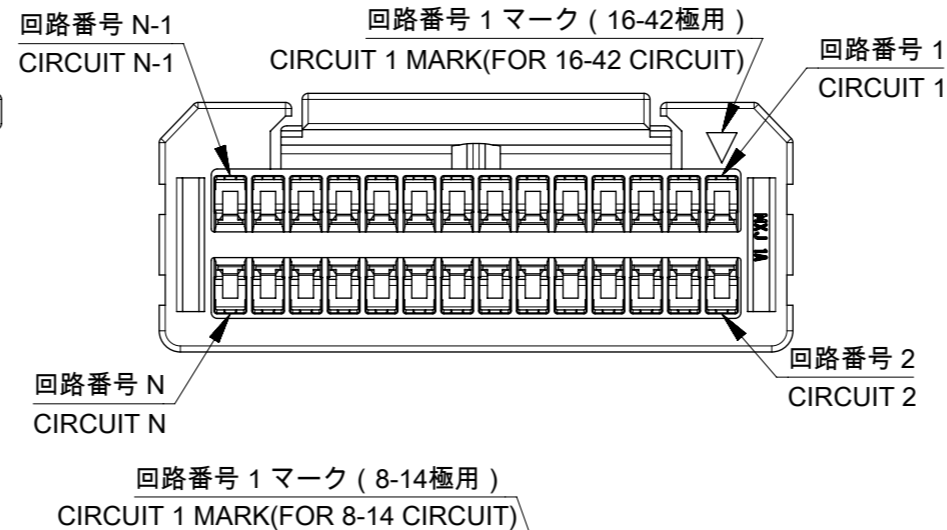
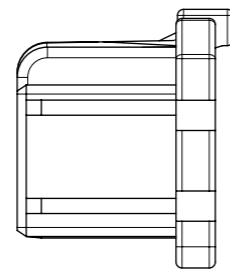
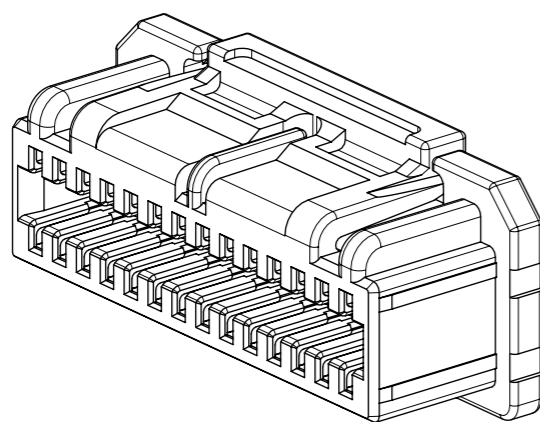
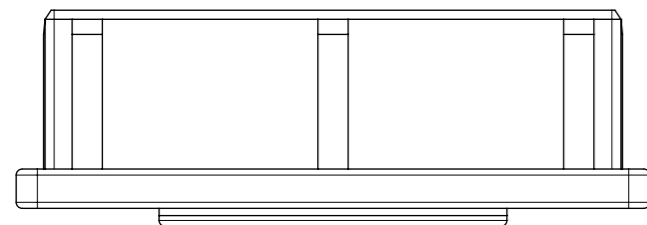
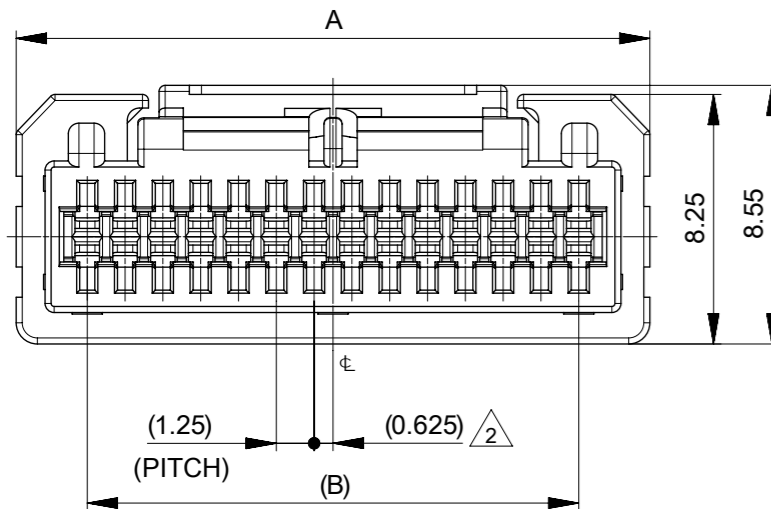
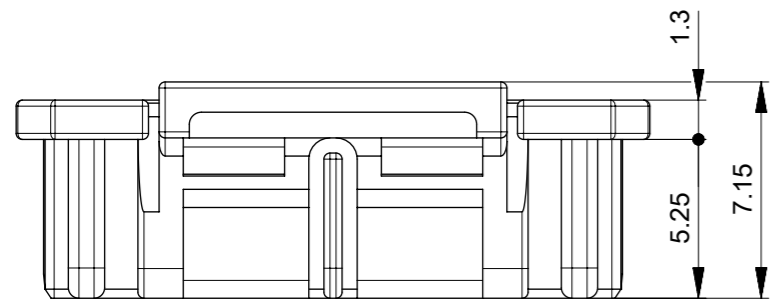
可配插/可连接使用的产品

可配插部件

| 描述 | 产品编号 |
|---|---------------|
| 1.25mm Pitch Micro-Lock Plus Vertical, Dual Row, Surface Mount Headers | <u>505433</u> |
| 1.25mm Pitch Micro-Lock Plus Right-Angle, Dual Row, Surface Mount Headers | <u>505448</u> |

可连接使用部件

| 描述 | 产品编号 |
|--|--|
| Pre-Crimped Lead Micro-Lock Plus Female-to-Micro-Lock Plus Female, Tin (Sn) Plating, 150.00mm Length, 26 AWG, Black | <u>/content/molex/molex-dot-com/cn/zh/products/product-page.html/797581148.html</u> |
| Pre-Crimped Lead Micro-Lock Plus Female-to-Micro-Lock Plus Female, Tin (Sn) Plating, 300.00mm Length, 26 AWG, Black | <u>/content/molex/molex-dot-com/cn/zh/products/product-page.html/797581149.html</u> |
| Pre-Crimped Lead Micro-Lock Plus Female-to-Micro-Lock Plus Female, Gold (Au) Plating, 150.00mm Length, 26 AWG, Black | <u>/content/molex/molex-dot-com/cn/zh/products/product-page.html/797582143.html</u> |
| Pre-Crimped Lead Micro-Lock Plus Female-to-Micro-Lock Plus Female, Gold (Au) Plating, 300.00mm Length, 26 AWG, Black | <u>/content/molex/molex-dot-com/cn/zh/products/product-page.html/797582144.html</u> |
| Micro-Lock Plus Female Crimp Terminals | <u>505431</u> |



ターミナル装着図
TERMINAL ASSEMBLY DRAWING

注記:

NOTES:

- ① 材質: TABLE 1 参照
MATERIAL: SEE TABLE 1.
- ② 極数 / 2 = 偶数に適合
APPLY TO CIRCUIT SIZE / 2 = EVEN.
- ③ 製品仕様書、コネクタ取扱説明書、適合嵌合相手、適合ターミナルは SHEET 3 をご参照ください。
PLEASE REFER TO SHEET 3 FOR PRODUCT SPECIFICATION, APPLICATION SPECIFICATION, MATE WITH AND APPLICABLE TERMINAL.
- ④ 発注番号: SHEET 3 参照
ORDER NUMBER: PLEASE REFER TO SHEET 3

| | | |
|-----------------|--------|---------------------------|
| 505432 ** 0 * | 番号 NO. | ハウジングカラー HOUSING COLOR |
| 極数 CIRCUIT SIZE | 0 | ナチュラル (白) NATURAL (WHITE) |
| | 1 | 黒 BLACK |
| | 2 | 赤 RED |
| | 4 | 青 BLUE |
| | 6 | 緑 GREEN |

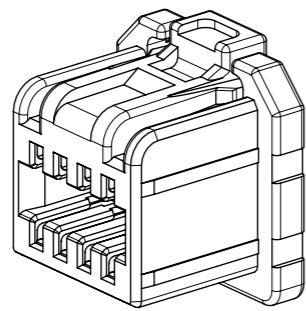
| | | |
|-------|-------|-----------------|
| 25 | 29.7 | 42 |
| 23.75 | 28.45 | 40 |
| 22.5 | 27.2 | 38 |
| 21.25 | 25.95 | 36 |
| 20 | 24.7 | 34 |
| 18.75 | 23.45 | 32 |
| 17.5 | 22.2 | 30 |
| 16.25 | 20.95 | 28 |
| 15 | 19.7 | 26 |
| 13.75 | 18.45 | 24 |
| 12.5 | 17.2 | 22 |
| 11.25 | 15.95 | 20 |
| 10 | 14.7 | 18 |
| 8.75 | 13.45 | 16 |
| 7.5 | 12.2 | 14 |
| 6.25 | 10.95 | 12 |
| 5 | 9.7 | 10 |
| 3.75 | 8.45 | 8 |
| B | A | 極数 CIRCUIT SIZE |

① TABLE 1

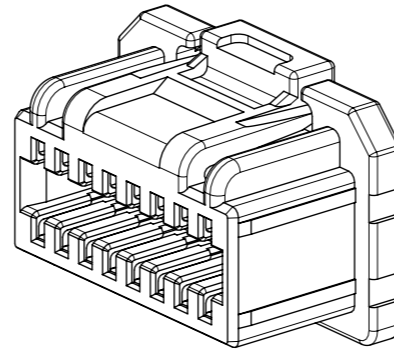
| 部品 PART | 材質 MATERIAL |
|-----------------|--|
| ハウジング HOUSING | ポリエステル(PBT), UL94V-0, 色: SHEET 3参照 POLYESTER(PBT), UL94V-0, COLOR:SEE SHEET 3. |
| DOCUMENT STATUS | P1 |
| RELEASE DATE | 2023/02/16 15:22:23 |

| | | | | | | | | | |
|---|--|------------------------------|--|--|--|--|--|-----------------------------|--|
| THIS DRAWING CONTAINS INFORMATION THAT IS PROPRIETARY TO MOLEX ELECTRONIC TECHNOLOGIES, LLC AND SHOULD NOT BE USED WITHOUT WRITTEN PERMISSION | | | | | | | | | |
| DIMENSION UNITS: mm | | SCALE: NTS | | CURRENT REV DESC: | | | | | |
| GENERAL TOLERANCES (UNLESS SPECIFIED) | | ANGULAR TOL ± 3.0° | | 4 PLACES ± 0.2 | | 3 PLACES ± 0.2 | | 2 PLACES ± 0.2 | |
| 1 PLACE ± 0.2 | | 0 PLACES ± 0.2 | | DRAFT WHERE APPLICABLE MUST REMAIN WITHIN DIMENSIONS | | THIRD ANGLE PROJECTION | | DRAWING: A3-SIZE | |
| SERIES: 505432 | | MATERIAL NUMBER: SEE SHEET 3 | | CUSTOMER: GENERAL | | SHEET NUMBER: 1 OF 3 | | DOCUMENT NUMBER: 5054320000 | |
| EC NO: 736271 | | DRWN: SOKUMURA01 | | 2022/12/27 | | CHK'D: SAKIYAMA | | 2023/02/16 | |
| APPR: AIDA | | 2023/02/16 | | INITIAL REVISION: | | DRWN: TAKAIKE | | 2017/02/10 | |
| APPR: TKANEKO | | 2017/04/03 | | MOLEX | | MICRO-LOCK PLUS 1.25 W/B DUAL ROW RECEPTACLE HOUSING | | PRODUCT CUSTOMER DRAWING | |

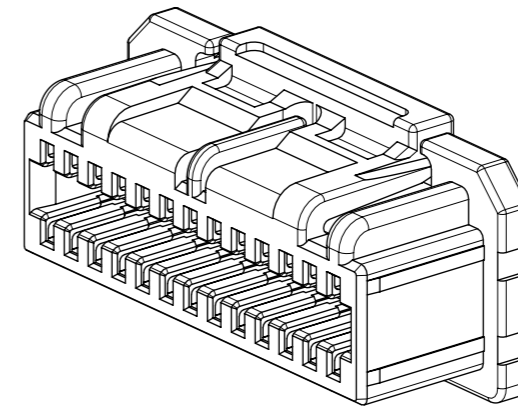
製品形状
PRODUCT SHAPE



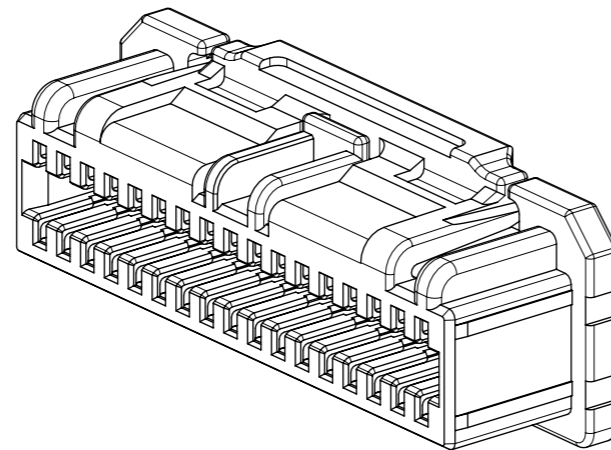
8-14極
8-14 CIRCUIT



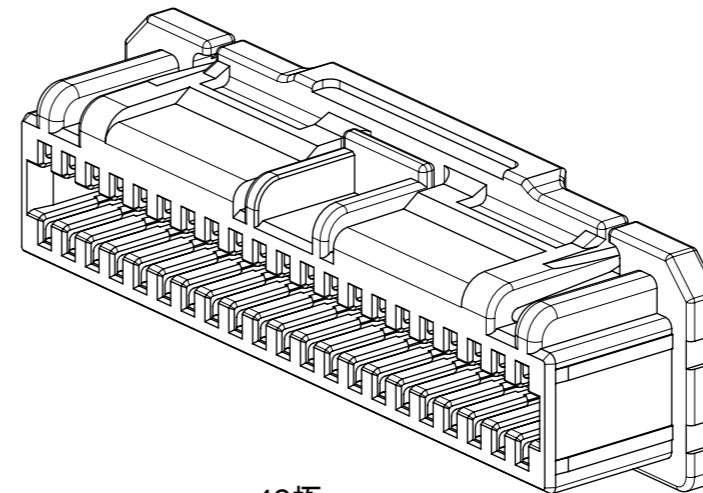
16-24極
16-24 CIRCUIT



26-32極
26-32 CIRCUIT



34-40極
34-40 CIRCUIT



42極
42 CIRCUIT

| | | | | | | | | | |
|---|-------|-----------------------------|---------|--------|--|--|--|--|--|
| THIS DRAWING CONTAINS INFORMATION THAT IS PROPRIETARY TO MOLEX ELECTRONIC TECHNOLOGIES, LLC AND SHOULD NOT BE USED WITHOUT WRITTEN PERMISSION | | | | | | | | | |
| DIMENSION UNITS | SCALE | CURRENT REV DESC: | | | | | | | |
| mm | NTS | | | | | | | | |
| GENERAL TOLERANCES (UNLESS SPECIFIED) | | EC NO: 736271 | | | MICRO-LOCK PLUS 1.25 W/B DUAL ROW RECEPTACLE HOUSING | | | | |
| ANGULAR TOL ± 3.0 ° | | DRWN: SOKUMURA01 2022/12/27 | | | | | | | |
| 4 PLACES | ± 0.2 | CHK'D: SAKIYAMA 2023/02/16 | | | PRODUCT CUSTOMER DRAWING | | | | |
| 3 PLACES | ± 0.2 | APPR: AIDA 2023/02/16 | | | | | | | |
| 2 PLACES | ± 0.2 | INITIAL REVISION: | | | DOCUMENT NUMBER: 5054320000 DOC TYPE: PSD DOC PART: 000 REVISION: H | | | | |
| 1 PLACE | ± 0.2 | DRWN: TAKAIKE 2017/02/10 | | | | | | | |
| 0 PLACES | ± 0.2 | APPR: TKANEKO 2017/04/03 | | | MATERIAL NUMBER: SEE SHEET 3 CUSTOMER: GENERAL SHEET NUMBER: 2 OF 3 | | | | |
| DRAFT WHERE APPLICABLE MUST REMAIN WITHIN DIMENSIONS | | THIRD ANGLE PROJECTION | DRAWING | SERIES | | | | | |
| | | | A3-SIZE | 505432 | | | | | |

△ 3 適合製品及び各種仕様書 APPLICABLE PRODUCTS AND VARIOUS SPECIFICATIONS

| | | | | | |
|--|-----------------------|-------------|-----------------------------|-----------------------|----------------|
| 梱包仕様書 PACKAGING SPECIFICATION | PART NUMBER | | SPECIFICATION NUMBER | | |
| | 505432**0* | | 5054329200 PS 200 | | |
| 適合ターミナル APPLICABLE TERMINAL | PART NUMBER | | PLATING TYPE | | WIRE SIZE(AWG) |
| | 5054311000 | | TIN | | |
| | 5054311*00 1,2,3 ↑ | | GOLD | | #26-30 |
| 適合嵌合相手 MATE WITH | TIN PLATING | | GOLD PLATING | | |
| | VERTICAL | RIGHT ANGLE | VERTICAL | RIGHT ANGLE | |
| シリーズ番号 SERIES NUMBER | 505433**** 7,8 ↑ | 505448**7* | 505433**** 2,3,4,5,6,9 ↑ | 505448**** 3,5,9 ↑ | |
| 製品仕様書 PRODUCT SPECIFICATION | 5054320000 PS 002 | | 5054320000 PS 006 | | |
| コネクタ取扱説明書 APPLICATION SPECIFICATION | 5054320000-AS PS 000 | | | | |

製品嵌合図は各嵌合相手図面を参照のこと
MATING VIEW : REFER TO EACH "MATE WITH" PART DRAWING.

△ 4 505432**0* 発注番号一覧 ORDER NUMBER LIST

| GREEN | BLUE | RED | BLACK | NATURAL (WHITE) | HOUSING COLOR |
|---|------------|------------|------------|-----------------|--------------------|
| 5054324206 | 5054324204 | 5054324202 | 5054324201 | 5054324200 | 42 |
| 5054324006 | 5054324004 | 5054324002 | 5054324001 | 5054324000 | 40 |
| 5054323806 | 5054323804 | 5054323802 | 5054323801 | 5054323800 | 38 |
| 5054323606 | 5054323604 | 5054323602 | 5054323601 | 5054323600 | 36 |
| 5054323406 | 5054323404 | 5054323402 | 5054323401 | 5054323400 | 34 |
| 5054323206 | 5054323204 | 5054323202 | 5054323201 | 5054323200 | 32 |
| 5054323006 | 5054323004 | 5054323002 | 5054323001 | 5054323000 | 30 |
| 5054322806 | 5054322804 | 5054322802 | 5054322801 | 5054322800 | 28 |
| 5054322606 | 5054322604 | 5054322602 | 5054322601 | 5054322600 | 26 |
| 5054322406 | 5054322404 | 5054322402 | 5054322401 | 5054322400 | 24 |
| 5054322206 | 5054322204 | 5054322202 | 5054322201 | 5054322200 | 22 |
| 5054322006 | 5054322004 | 5054322002 | 5054322001 | 5054322000 | 20 |
| 5054321806 | 5054321804 | 5054321802 | 5054321801 | 5054321800 | 18 |
| 5054321606 | 5054321604 | 5054321602 | 5054321601 | 5054321600 | 16 |
| 5054321406 | 5054321404 | 5054321402 | 5054321401 | 5054321400 | 14 |
| 5054321206 | 5054321204 | 5054321202 | 5054321201 | 5054321200 | 12 |
| 5054321006 | 5054321004 | 5054321002 | 5054321001 | 5054321000 | 10 |
| 5054320806 | 5054320804 | 5054320802 | 5054320801 | 5054320800 | 8 |
| 発注番号 ORDER NUMBER | | | | | 極数 CIRCUIT SIZE |
| 梱包形態 : ポリ袋 PACKAGING : POLYBAG PACKAGE | | | | | |

| | | | | | | | | | | | | |
|---|--|-------|--|--|--|---------|--|---|--|----------|----------|--------------|
| THIS DRAWING CONTAINS INFORMATION THAT IS PROPRIETARY TO MOLEX ELECTRONIC TECHNOLOGIES, LLC AND SHOULD NOT BE USED WITHOUT WRITTEN PERMISSION | | | | | | | | | | | | |
| DIMENSION UNITS | | SCALE | | CURRENT REV DESC: | | | | molex | | | | |
| mm | | NTS | | | | | | | | | | |
| GENERAL TOLERANCES (UNLESS SPECIFIED) | | | | EC NO: 736271 DRWN: SOKUMURA01 2022/12/27 CHK'D: SAKIYAMA 2023/02/16 APPR: AIDA 2023/02/16 INITIAL REVISION: DRWN: TAKAIKE 2017/02/10 APPR: TKANEKO 2017/04/03 | | | | MICRO-LOCK PLUS 1.25 W/B DUAL ROW RECEPTACLE HOUSING | | | | |
| ANGULAR TOL ± 3.0 ° | | | | | | | | PRODUCT CUSTOMER DRAWING | | | | |
| 4 PLACES ± 0.2 | | | | | | | | DOCUMENT NUMBER | | DOC TYPE | DOC PART | REVISION |
| 3 PLACES ± 0.2 | | | | | | | | 5054320000 | | PSD | 000 | H |
| 2 PLACES ± 0.2 | | | | | | | | MATERIAL NUMBER | | CUSTOMER | | SHEET NUMBER |
| 1 PLACE ± 0.2 | | | | SEE CHART | | GENERAL | | 3 OF 3 | | | | |
| 0 PLACES ± 0.2 | | | | A3-SIZE | | 505432 | | | | | | |
| DRAFT WHERE APPLICABLE MUST REMAIN WITHIN DIMENSIONS | | | | THIRD ANGLE PROJECTION | | | | | | | | |