



产品编号 : 5054331881

Product Description : 1.25mm Pitch, Micro-Lock Plus PCB Header, Dual Row, Vertical, Surface Mount, Tin-Bismuth Plating, Positive Lock, 18 Circuits, with Pick-and-Place Tape, Black

系列号 : 505433

状态 : Active

Product Category : PCB Headers and Receptacles

文件和资源

图纸

图纸 5054331881_sd.pdf

3D 模型和设计文件

2D 图纸 DXF 5054331881.dxf

2D 图纸 DXF PDF 5054331881.pdf

3D模型 5054331881_stp.zip

规格

应用规格 5054320000-AS-000.pdf

包装规格 5054339200-200.pdf

产品规格 2145270000-PS-000.pdf


产品规格 5054320000-002.pdf

产品规格 5054321000-PS-002.pdf

产品规格 5054321000-PS-006.pdf

产物环境合规

合规

| | |
|--------------------|---|
| GADSL/IMDS | Compliant with Exemption 44; 33 |
| China RoHS |  |
| EU ELV | Not Relevant |
| Low-Halogen Status | Not Low-Halogen per IEC 61249-2-21 |
| REACH SVHC | Not Contained per D(2023)8585-DC (23 Jan 2024) |
| EU RoHS | Compliant per EU 2015/863 |

多部分产品合规性声明

- Eu RoHS

- REACH SVHC
- Low-Halogen
- IPC 1752A Class C
- IPC 1752A Class D
- Molex Product Compliance Declaration
- IEC-62474
- chemSHERPA (xml)

欧盟 RoHS 合格证书

产品详情

常规

| | |
|------|--|
| 状态 | 活动 |
| 类别 | PCB Headers and Receptacles |
| 系列 | 505433 |
| 说明 | 1. 25mm Pitch, Micro-Lock Plus PCB Header, Dual Row, Vertical, Surface Mount, Tin-Bismuth Plating, Positive Lock, 18 Circuits, with Pick-and-Place Tape, Black |
| 应用 | Signal, Wire-to-Board |
| 元件类型 | PCB Header |
| 产品系列 | Micro-Lock Connector System |
| 产品名称 | Micro-Lock Plus |
| UPC | 889056619295 |

机构

| | |
|----|--------|
| UL | E29179 |
|----|--------|

电气

| | |
|---------|-----------------|
| 每触点最大电流 | 1.5A |
| 电压 - 最大 | 50V AC (RMS)/DC |

物理

| | |
|-----------|----|
| 断开 | 否 |
| 回路数 (已载入) | 18 |
| 电路数 (最多) | 18 |

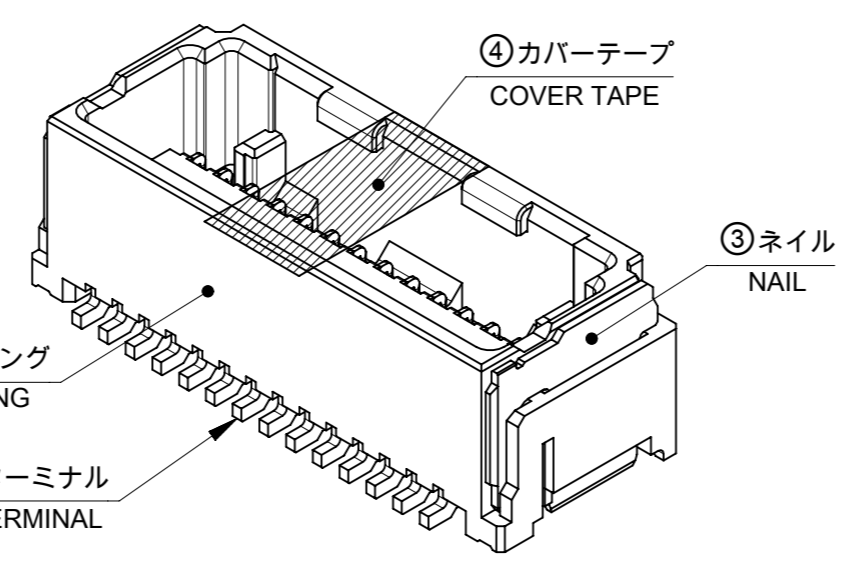
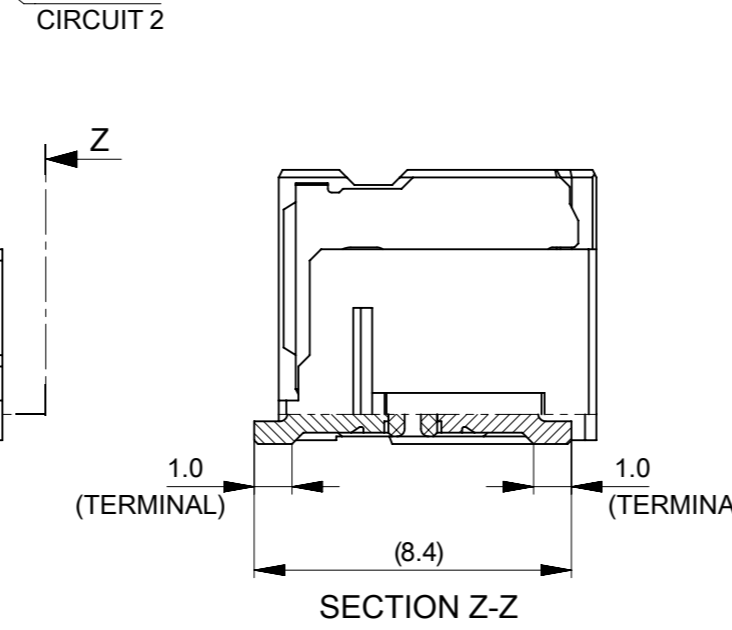
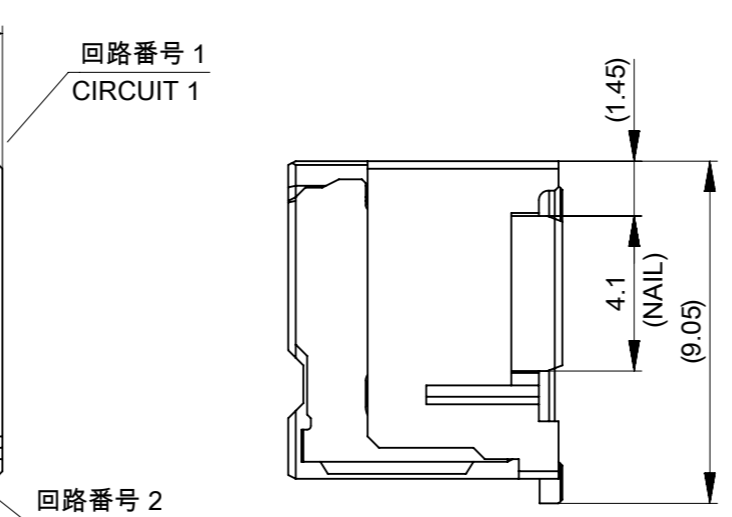
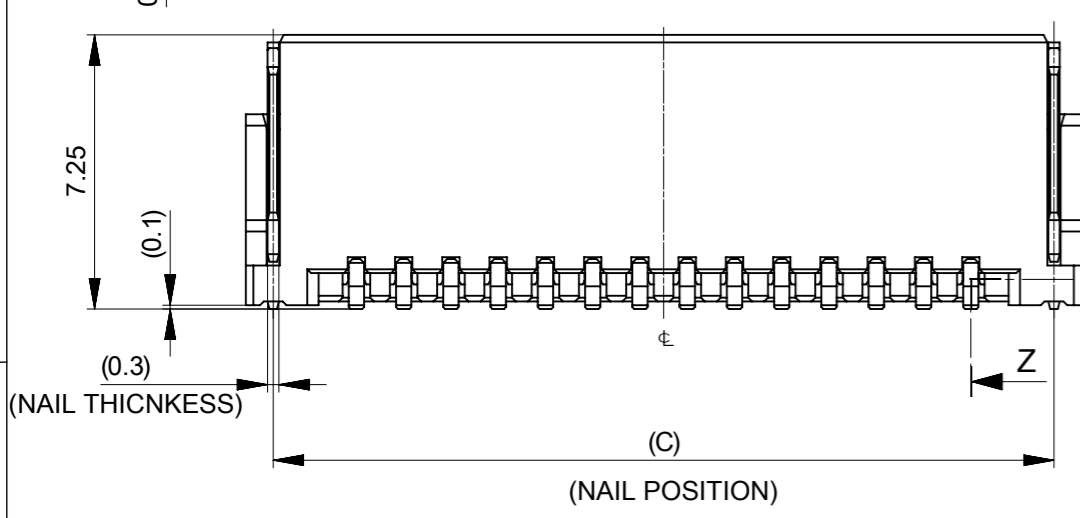
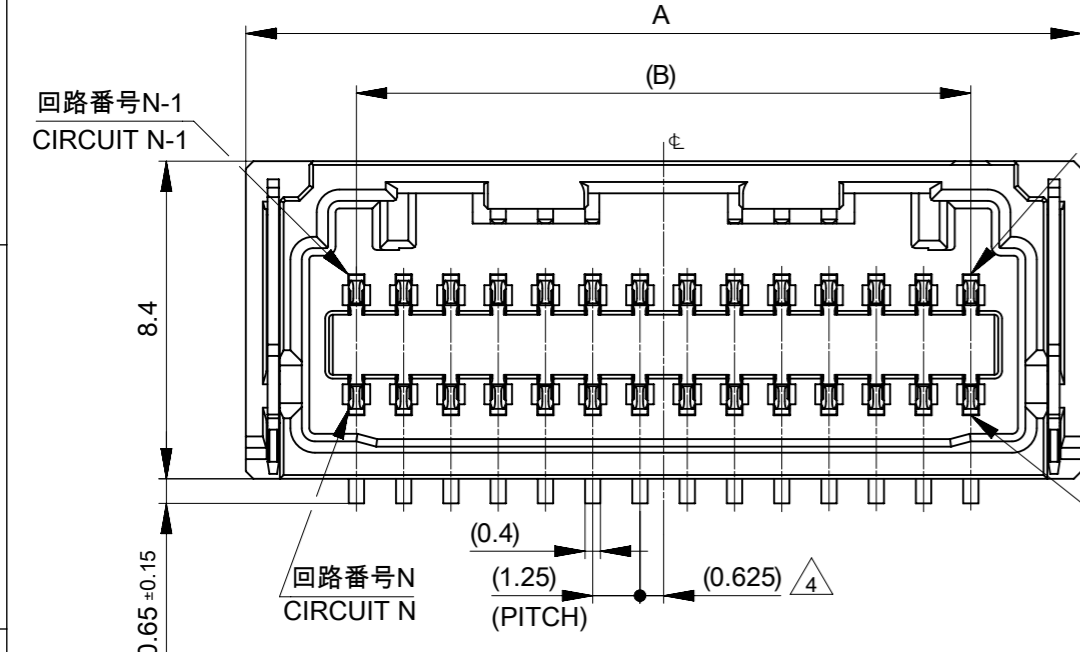
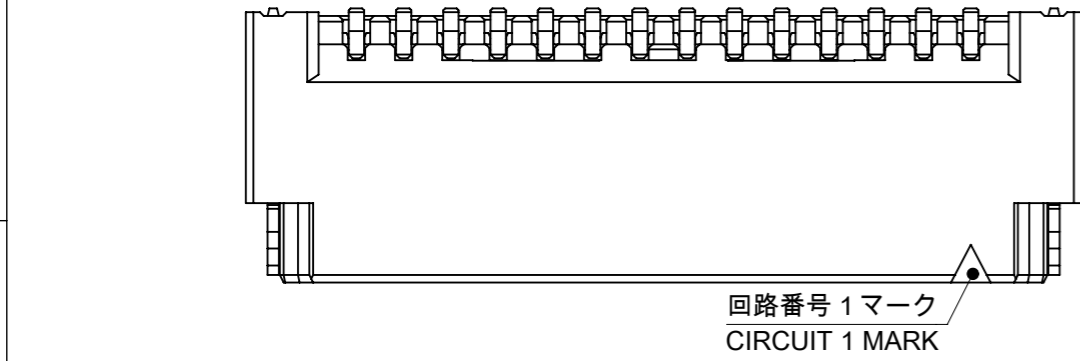
| | |
|------------------|-----------------------|
| 颜色-树脂 | 黑色 |
| 耐用性(插拔次数) - 最多次数 | 30 |
| 先接后断 | 否 |
| 符合灼热丝规范 | 否 |
| 可配插产品指南 | 否 |
| 插接极性 | 是 |
| 锁定插接部位 | 是 |
| 材料 - 金属 | Brass |
| 材料 - 接合部位电镀 | Tin-Bismuth |
| 材料 - 终端电镀 | Tin-Bismuth |
| 材料 - 树脂 | Polyamide |
| 净重 | 1144.802/mg |
| 行数 | 2 |
| 方向 | 垂直 |
| 包装形式 | Embossed Tape on Reel |
| PCB 定位器 | 否 |
| PCB 保持力 | 是 |
| 间距 - 插配接口 | 1.25mm |
| 间距 - 终端界面 | 1.25mm |
| 最薄镀层 - 接合部位 | 1.000µm |
| 最薄镀层 - 端接 | 1.000µm |
| 有极性的插配件 | 是 |
| PCB 极性 | 是 |
| 自动布局 | Vacuum Pick-Up Tape |
| 有护墙的 | Fully |
| 可堆叠的 | 否 |
| 运行温度范围 | -40° to +105° C |
| 终端界面类型 | Surface Mount |

可配插/可连接使用的产品

可配插部件

| 描述 | 产品编号 |
|--|---------------|
| 1.25mm Pitch, Micro-Lock Plus Dual Row Receptacle Housings | <u>505432</u> |

This document was generated on Jun 30, 2024



- 注記 :
NOTES :
- ① 材料及び仕上げ(めっき仕様) : TABLE 1, TABLE2 参照
MATERIAL AND FINISHES (PLATING SPECIFICATION) : SEE TABLE 1, TABLE2.
 - ② 製品仕様書、コネクタ取扱説明書、適合嵌合相手、適合リテーナーは SHEET 5 をご参照下さい。
PLEASE REFER TO SHEET 5 FOR PRODUCT SPECIFICATION, APPLICATION SPECIFICATION, MATE WITH AND APPLICABLE RETAINER.
 3. 端子テール部 及び ネイルの平坦度 : 0.12 MAXIMUM
TAIL AND NAIL COPLANARITY TO BE 0.12 MAXIMUM
 - ④ 極数 / 2 = 偶数に適合
APPLY TO CIRCUIT SIZE / 2 = EVEN.
 - ⑤ 発注番号 : SHEET 5 参照
ORDER NUMBER : PLEASE REFER TO SHEET 5

505433****

| 番号 NO. | カバーテープ COVER TAPE | 番号 NO. | ハウジングカラー HOUSING COLOR |
|--------|-------------------|--------|----------------------------|
| 7 | 無 WITHOUT | 0 | ナチュラル(ベージュ) NATURAL(BEIGE) |
| 8 | 有 WITH | 1 | 黒 BLACK |
| | | 2 | 赤 RED |
| | | 4 | 青 BLUE |
| | | 6 | 緑 GREEN |

| | | | |
|-------|-------|-------|--------------------|
| 29.4 | 25 | 30.85 | 42 |
| 28.15 | 23.75 | 29.6 | 40 |
| 26.9 | 22.5 | 28.35 | 38 |
| 25.65 | 21.25 | 27.1 | 36 |
| 24.4 | 20 | 25.85 | 34 |
| 23.15 | 18.75 | 24.6 | 32 |
| 21.9 | 17.5 | 23.35 | 30 |
| 20.65 | 16.25 | 22.1 | 28 |
| 19.4 | 15 | 20.85 | 26 |
| 18.15 | 13.75 | 19.6 | 24 |
| 16.9 | 12.5 | 18.35 | 22 |
| 15.65 | 11.25 | 17.1 | 20 |
| 14.4 | 10 | 15.85 | 18 |
| 13.15 | 8.75 | 14.6 | 16 |
| 11.9 | 7.5 | 13.35 | 14 |
| 10.65 | 6.25 | 12.1 | 12 |
| 9.4 | 5 | 10.85 | 10 |
| 8.15 | 3.75 | 9.6 | 8 |
| C | B | A | 極数 CIRCUIT SIZE |

① TABLE 1

| 番号 NO. | 部品 PART | 材質 MATERIAL |
|--------|--------------------------------|---|
| ① | ハウジング HOUSING | ポリアミド(PA), UL94V-0, 色 : SHEET 5参照 POLY AMIDE(PA), UL94V-0, COLOR : SEE SHEET 5 |
| ② | ターミナル 及び ネイル TERMINAL AND NAIL | 黄銅 BRASS 錫ビスマスめっき : 1.0 MICROMETER MINIMUM TIN-BISMUTH PLATING ニッケルめっき (下地) : 1.0 MICROMETER MINIMUM NICKEL (UNDER PLATING) |
| ④ | カバーテープ COVER TAPE | ポリイミド POLYIMIDE |

| | | | | |
|-----------------|----|--------------|------------|----------|
| DOCUMENT STATUS | P1 | RELEASE DATE | 2023/02/16 | 15:22:25 |
|-----------------|----|--------------|------------|----------|

THIS DRAWING CONTAINS INFORMATION THAT IS PROPRIETARY TO MOLEX ELECTRONIC TECHNOLOGIES, LLC AND SHOULD NOT BE USED WITHOUT WRITTEN PERMISSION

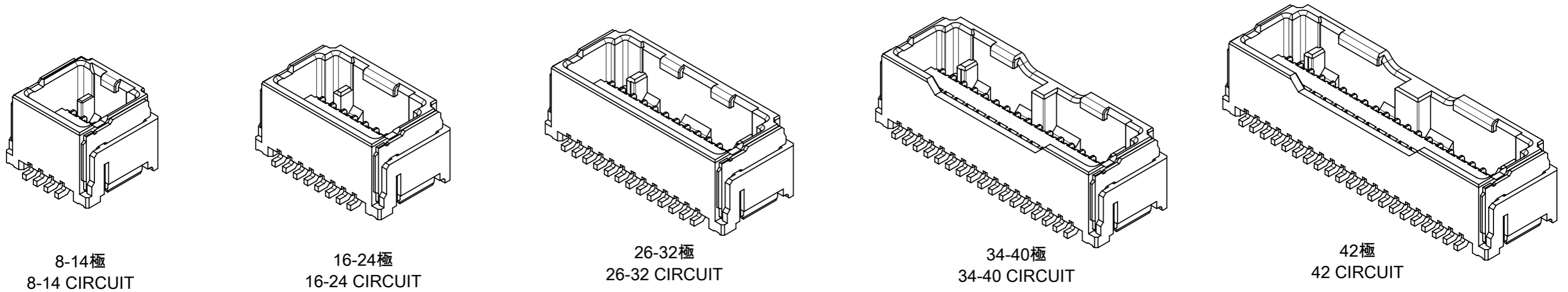
| | | |
|--|---------|-----------------------------|
| DIMENSION UNITS | SCALE | CURRENT REV DESC: |
| mm | NTS | |
| GENERAL TOLERANCES (UNLESS SPECIFIED) | | |
| ANGULAR TOL | ± 3.0 ° | |
| 4 PLACES | ± 0.2 | EC NO: 736271 |
| 3 PLACES | ± 0.2 | DRWN: SOKUMURA01 2023/02/01 |
| 2 PLACES | ± 0.2 | CHK'D: SAKIYAMA 2023/02/16 |
| 1 PLACE | ± 0.2 | APPR: AIDA 2023/02/16 |
| 0 PLACES | ± 0.2 | INITIAL REVISION: |
| | | DRWN: TAKAIKE 2016/12/26 |
| | | APPR: TKANEKO 2016/12/28 |
| DRAFT WHERE APPLICABLE MUST REMAIN WITHIN DIMENSIONS | | |
| THIRD ANGLE PROJECTION | DRAWING | SERIES |
| | A3-SIZE | 505433 |
| MATERIAL NUMBER | | CUSTOMER |
| SEE SHEET 5 | | GENERAL |
| DOCUMENT NUMBER | | DOC TYPE DOC PART REVISION |
| 5054330000 | | PSD 000 E |
| SHEET NUMBER | | |
| 1 OF 5 | | |

molex

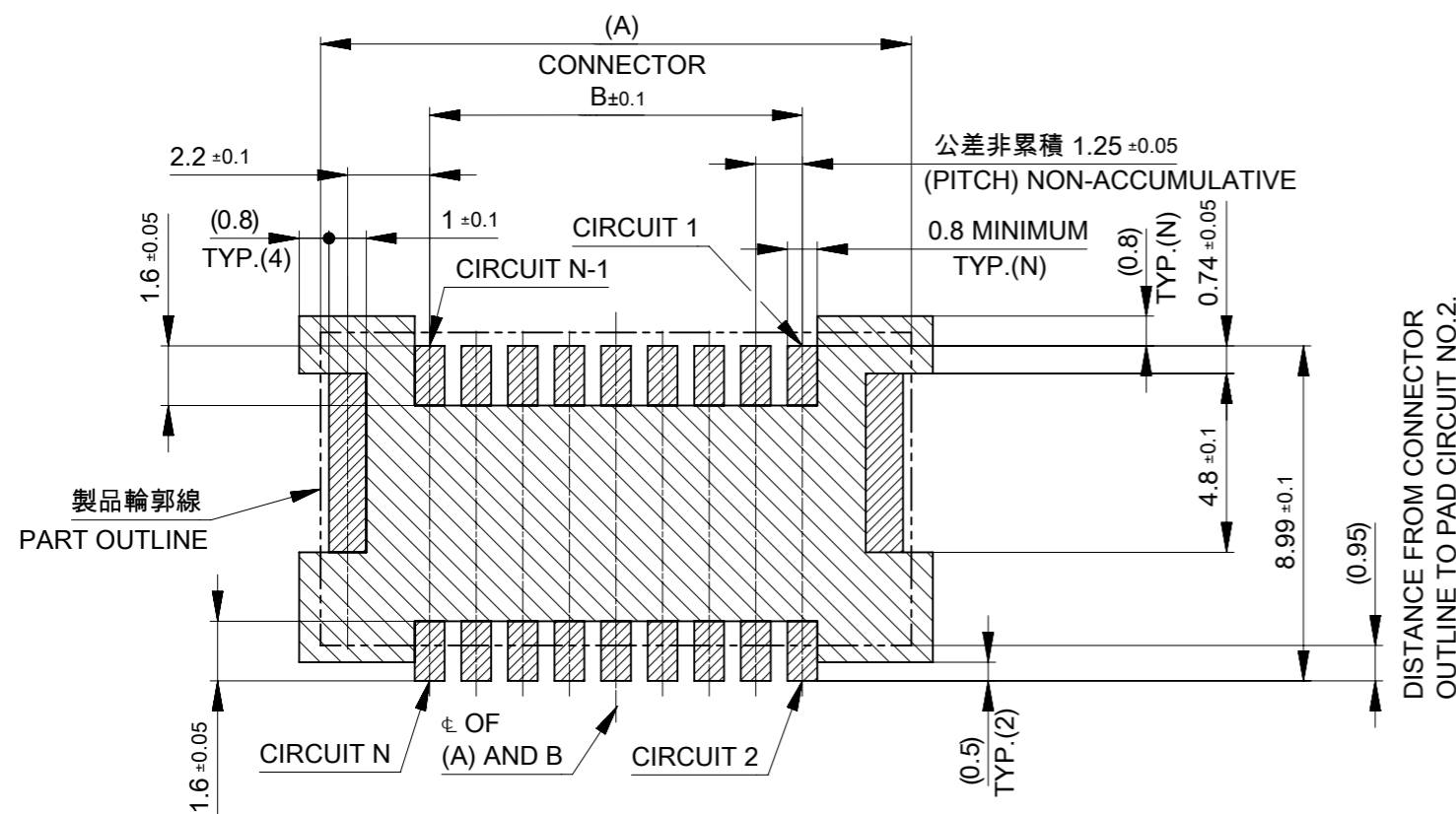
MICRO-LOCK PLUS 1.25 W/B
DUAL ROW VERTICAL SMT PLUG ASSEMBLY
TIN-BISMUTH PLATING

PRODUCT CUSTOMER DRAWING

製品形状
PRODUCT SHAPE



基板パターンレイアウト
PCB PATTERN LAYOUT

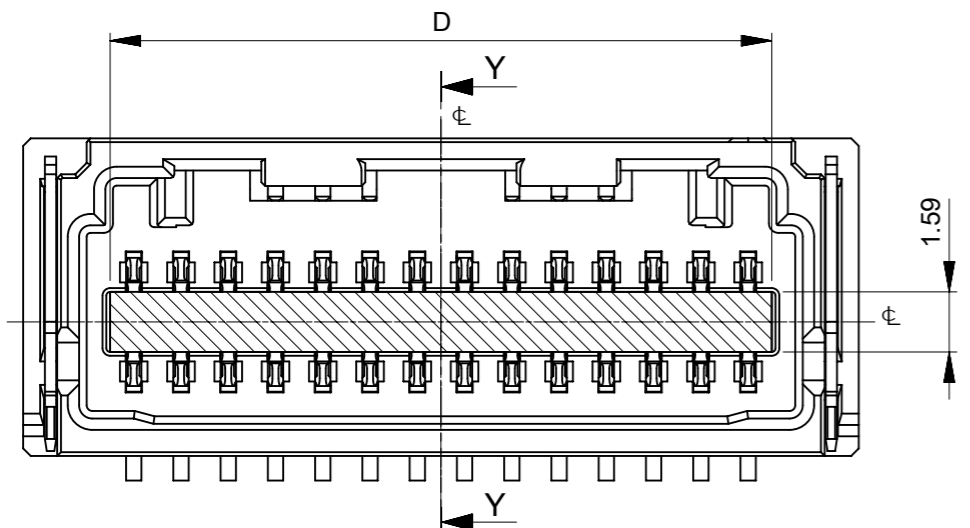


基板パターンレイアウト (参考)
(参考: 基板厚 1.6mm, メタルマスク厚さ 0.15mm, マスク開口率 100%)
RECOMMEND PCB LAYOUT : COMPONENT SIDE
(REFERENCE : PCB THICKNESS 1.6mm, STENCIL THICKNESS 0.15mm, APERTURE RATIO 100%)

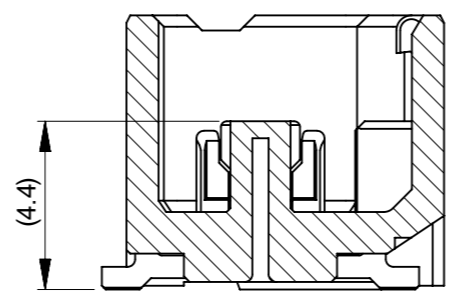
パターン非推奨エリア
パターンを引き回す際は、製品機能に影響がないことをご確認ください。
PATTERN IS NOT RECOMMENDED ON THE HATCHING AREA
PLEASE CHECK NOT TO HAVE PROBLEM FOR PRODUCT FUNCTION
WHEN SETTING PATTERN ON THE HATCHING AREA.

| | | | | | | | | | |
|---|--|-----------------------------|--|--|--|-----------------|--|--------------|--|
| THIS DRAWING CONTAINS INFORMATION THAT IS PROPRIETARY TO MOLEX ELECTRONIC TECHNOLOGIES, LLC AND SHOULD NOT BE USED WITHOUT WRITTEN PERMISSION | | | | | | | | | |
| DIMENSION UNITS | | SCALE | | CURRENT REV DESC. | | | | | |
| mm | | NTS | | <p>molex</p> <p>MICRO-LOCK PLUS 1.25 W/B DUAL ROW VERTICAL SMT PLUG ASSEMBLY TIN-BISMUTH PLATING</p> <p>PRODUCT CUSTOMER DRAWING</p> <p>DOCUMENT NUMBER: 5054330000 DOC TYPE: PSD DOC PART: 000 REVISION: E</p> | | | | | |
| GENERAL TOLERANCES (UNLESS SPECIFIED) | | | | | | | | | |
| ANGULAR TOL $\pm 3.0^\circ$ | | | | | | | | | |
| 4 PLACES ± 0.2 | | EC NO: 736271 | | | | | | | |
| 3 PLACES ± 0.2 | | DRWN: SOKUMURA01 2023/02/01 | | | | | | | |
| 2 PLACES ± 0.2 | | CHK'D: SAKIYAMA 2023/02/16 | | | | | | | |
| 1 PLACE ± 0.2 | | APPR: AIDA 2023/02/16 | | | | | | | |
| 0 PLACES ± 0.2 | | INITIAL REVISION: | | DRWN: TAKAIKE 2016/12/26 | | MATERIAL NUMBER | | CUSTOMER | |
| DRAFT WHERE APPLICABLE MUST REMAIN WITHIN DIMENSIONS | | THIRD ANGLE PROJECTION | | DRAWING | | SERIES | | SHEET NUMBER | |
| | | | | A3-SIZE | | 505433 | | 2 OF 5 | |

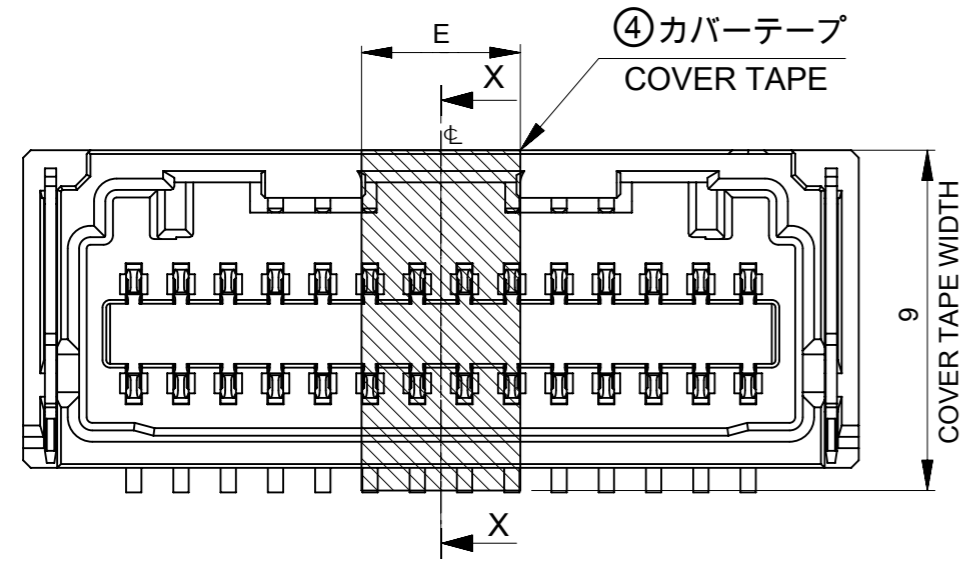
吸着エリア違い
SUCTION AREA DIFFERNECE



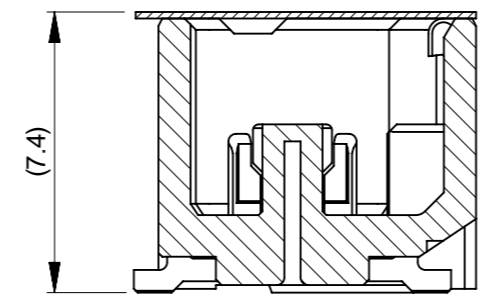
505433 **7*
カバーテープ無し
WITHOUT COVER TAPE



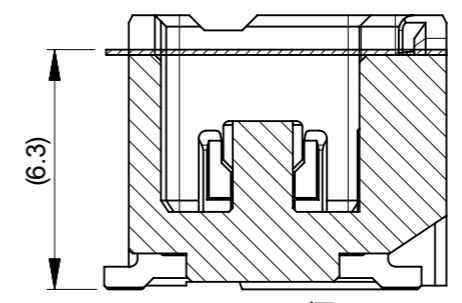
SECTION Y-Y
吸着高さ SUCTION HEIGHT



505433 **8*
カバーテープ有り
WITH COVER TAPE



8-32極
8-32 CIRCUIT



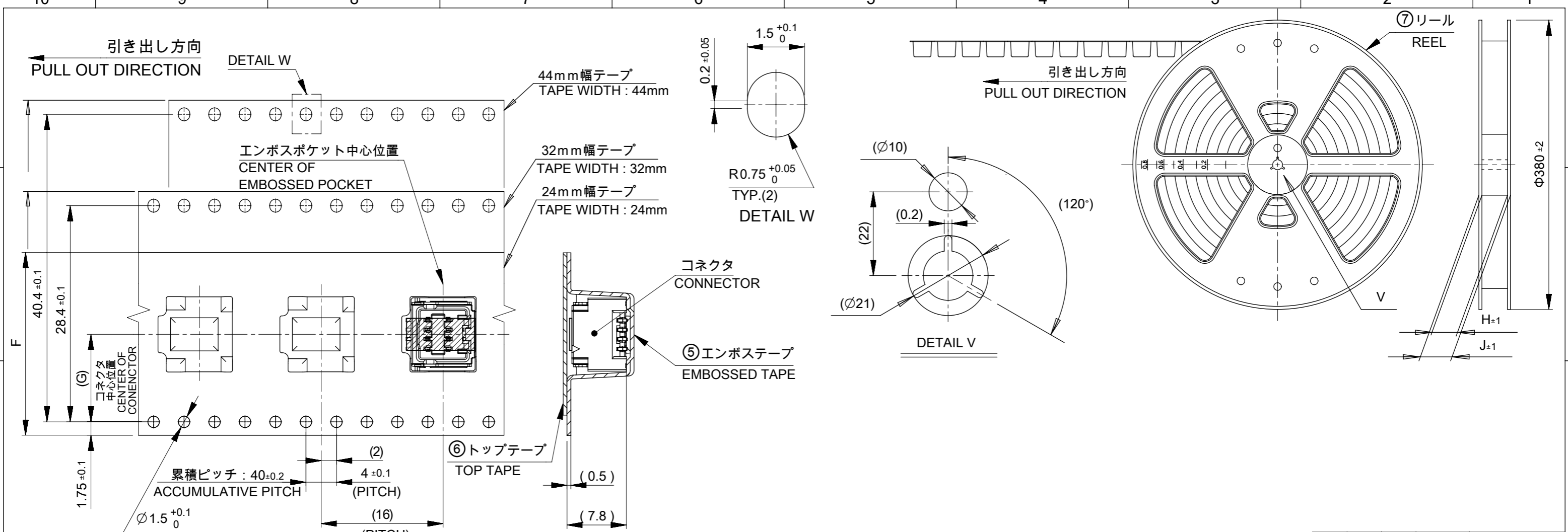
34-42極
34-42 CIRCUIT

SECTION X-X
吸着テープ高さ COVER TAPE HEIGHT

| | | | |
|-----|------|--------------------|----|
| 4.2 | 5 | 26.25 | 42 |
| | | 25 | 40 |
| | | 23.75 | 38 |
| | | 22.5 | 36 |
| | | 21.25 | 34 |
| | | 20 | 32 |
| | | 18.75 | 30 |
| | | 17.5 | 28 |
| | | 16.25 | 26 |
| | | 15 | 24 |
| | | 13.75 | 22 |
| | | 12.5 | 20 |
| | | 11.25 | 18 |
| | | 10 | 16 |
| | 8.75 | 14 | |
| | 7.5 | 12 | |
| | 6.25 | 10 | |
| | 5 | 8 | |
| E | D | 極数 CIRCUIT SIZE | |

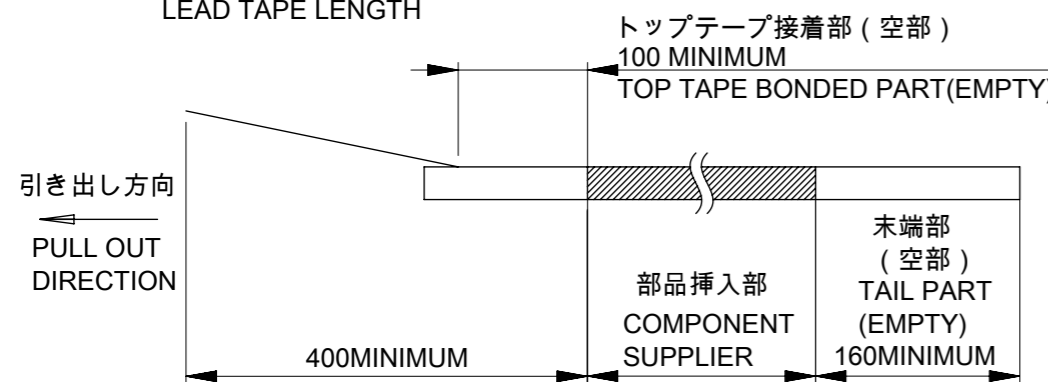
THIS DRAWING CONTAINS INFORMATION THAT IS PROPRIETARY TO MOLEX ELECTRONIC TECHNOLOGIES, LLC AND SHOULD NOT BE USED WITHOUT WRITTEN PERMISSION

| | | | | | | |
|--|---------------------|------------------------|---------|--------------------------|-----------------|----------|
| DIMENSION UNITS mm | SCALE NTS | CURRENT REV DESC: | | molex | | |
| GENERAL TOLERANCES (UNLESS SPECIFIED) | | EC NO: 736271 | | | | |
| ANGULAR TOL | ± 3.0 ° | DRWN: SOKUMURA01 | | PRODUCT CUSTOMER DRAWING | | |
| 4 PLACES | ± 0.2 | CHK'D: SAKIYAMA | | DOCUMENT NUMBER | | |
| 3 PLACES | ± 0.2 | APPR: AIDA | | 5054330000 | | |
| 2 PLACES | ± 0.2 | INITIAL REVISION: | | DOC TYPE | DOC PART | REVISION |
| 1 PLACE | ± 0.2 | DRWN: TAKAIKE | | PSD | 000 | E |
| 0 PLACES | ± 0.2 | APPR: TKANEKO | | SHEET NUMBER | | |
| DRAFT WHERE APPLICABLE MUST REMAIN WITHIN DIMENSIONS | | THIRD ANGLE PROJECTION | DRAWING | SERIES | MATERIAL NUMBER | CUSTOMER |
| | | | A3-SIZE | 505433 | SEE SHEET 5 | GENERAL |



NOTES

- 6. 梱包数量 : 500個
NUMBER OF CONNECTORS : 500 PIECES/REEL.
- 7. リードテープ長さ
LEAD TAPE LENGTH



8. トップテープの剥離強度については、IEC60286-3に準拠
TOP TAPE PEEL FORCE IS DEFINED BY IEC 60286-3.

TABLE 2

| 番号 NO. | 部品 PART | 材質 MATERIAL |
|-----------|---------------------------|---|
| ⑤ | エンボステープ EMBOSSSED TAPE | ポリスチレン(PS) POLYSTYRENE(PS) |
| ⑥ | トップテープ TOP TAPE | ポリエチレン(PE)、その他 POLYETHYLENE(PE), OTHER |
| ⑦ | リール REEL | ポリスチレン(PS) <リサイクル材を含む> POLYSTYRENE(PS) <RECYCLE MATERIAL CONTAINED > |

| J | H | G | F | 極数 CIRCUIT SIZE |
|------|------|------|-----------------|--------------------|
| 49.4 | 45.4 | 20.2 | 44 ±0.3 | 42 |
| | | | | 40 |
| | | | | 38 |
| | | | | 36 |
| | | | | 34 |
| | | | | 32 |
| | | | | 30 |
| | | | | 28 |
| | | | | 26 |
| | | | | 24 |
| 37.4 | 33.4 | 14.2 | 32 ±0.3 | 22 |
| | | | | 20 |
| | | | | 18 |
| | | | | 16 |
| | | | | 14 |
| 29.4 | 25.4 | 11.5 | 24 ±0.3 -0.1 | 12 |
| | | | | 10 |
| | | | | 8 |

THIS DRAWING CONTAINS INFORMATION THAT IS PROPRIETARY TO MOLEX ELECTRONIC TECHNOLOGIES, LLC AND SHOULD NOT BE USED WITHOUT WRITTEN PERMISSION

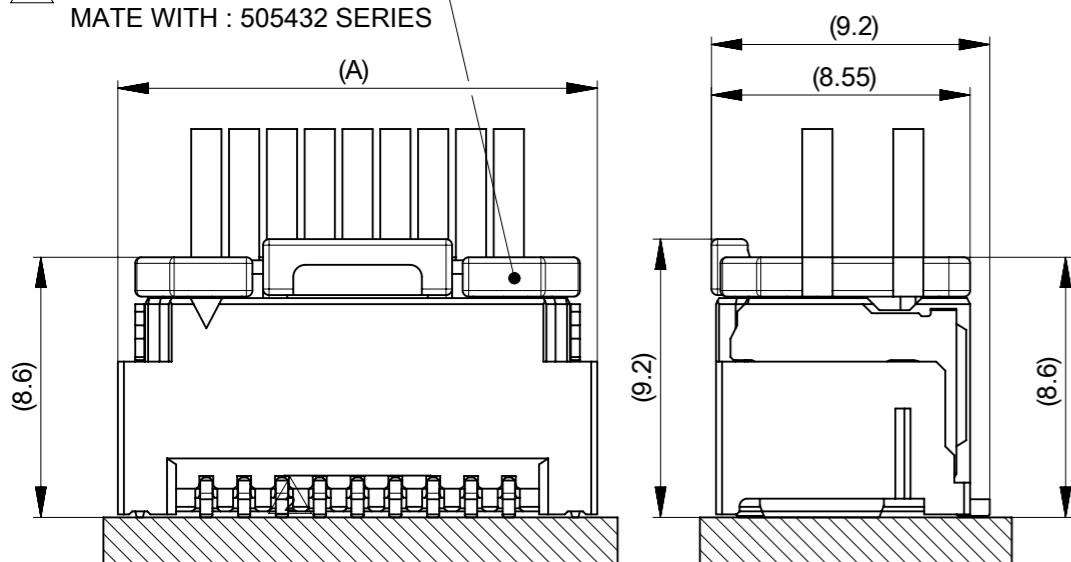
| | | | | |
|--|-----------------------------|---|---------------------|------------------------|
| DIMENSION UNITS mm | SCALE NTS | CURRENT REV DESC: | | |
| GENERAL TOLERANCES (UNLESS SPECIFIED) | | <p>molex</p> <p>MICRO-LOCK PLUS 1.25 W/B DUAL ROW VERTICAL SMT PLUG ASSEMBLY TIN-BISMUTH PLATING</p> <p>PRODUCT CUSTOMER DRAWING</p> | | |
| ANGULAR TOL ± 3.0° | | | | |
| 4 PLACES ± 0.2 | EC NO: 736271 | | | |
| 3 PLACES ± 0.2 | DRWN: SOKUMURA01 2023/02/01 | | | |
| 2 PLACES ± 0.2 | CHK'D: SAKIYAMA 2023/02/16 | | | |
| 1 PLACE ± 0.2 | APPR: AIDA 2023/02/16 | DOCUMENT NUMBER 5054330000 | | |
| 0 PLACES ± 0.2 | INITIAL REVISION: | DOC TYPE PSD | DOC PART 000 | REVISION E |
| DRAFT WHERE APPLICABLE MUST REMAIN WITHIN DIMENSIONS | | THIRD ANGLE PROJECTION | DRAWING A3-SIZE | SERIES 505433 |
| | | MATERIAL NUMBER SEE SHEET 5 | CUSTOMER GENERAL | SHEET NUMBER 4 OF 5 |

△ 適合製品及び各種仕様書 APPLICABLE PRODUCTS AND VARIOUS SPECIFICATIONS

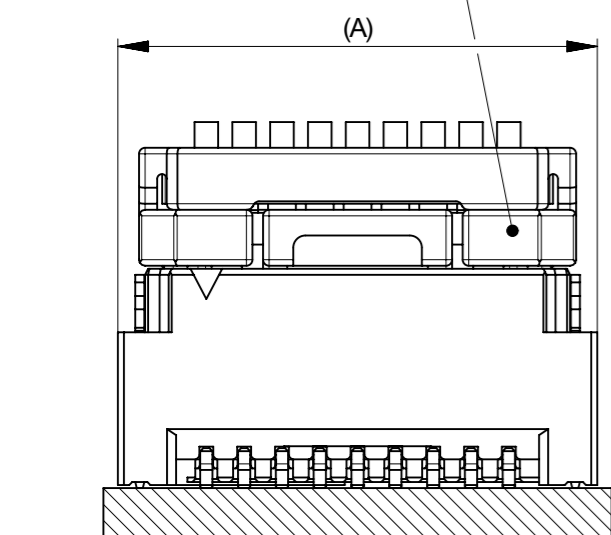
| | | | |
|--|-------------------------------|----------------------|--|
| 梱包仕様書 PACKAGING SPECIFICATION | | 5054339200 PS 200 | |
| 適合嵌合相手 MATE WITH | シリーズ番号 SERIES NUMBER | 505432 | 214527 |
| | リテーナー対応 RETAINER COMPLIANT | NOT COMPLIANT | COMPLIANT (NATURAL, BLACK, RED, BLUE) |
| 適合リテーナーシリーズ番号 APPLICABLE RETAINER SERIES NUMBER | | - | 214528 |
| 製品仕様書 PRODUCT SPECIFICATION | | 5054320000 PS 002 | 2145270000-PS PS 000 |
| コネクタ取扱説明書 APPLICATION SPECIFICATION | | 5054320000-AS PS 000 | |

嵌合状態図
MATED CONNECTORS

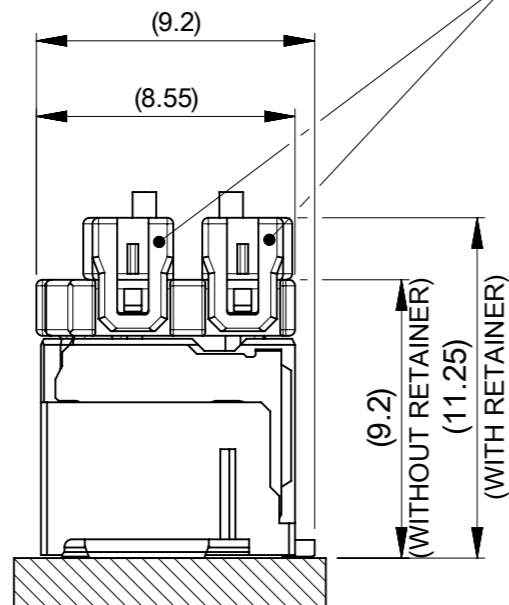
△ 嵌合相手 : 505432シリーズ
MATE WITH : 505432 SERIES



△ 嵌合相手 : 214527シリーズ
MATE WITH : 214527 SERIES



△ リテーナー : 214528シリーズ
RETAINER : 214528 SERIES



△ 505433**** 発注番号一覧 ORDER NUMBER LIST

| WITHOUT | | | | | WITH | | | | | COVER TAPE |
|------------|------------|------------|------------|-----------------|------------|------------|------------|------------|-----------------|---------------|
| GREEN | BLUE | RED | BLACK | NATURAL (BEIGE) | GREEN | BLUE | RED | BLACK | NATURAL (BEIGE) | HOUSING COLOR |
| 5054334276 | 5054334274 | 5054334272 | 5054334271 | 5054334270 | 5054334286 | 5054334284 | 5054334282 | 5054334281 | 5054334280 | 42 |
| 5054334076 | 5054334074 | 5054334072 | 5054334071 | 5054334070 | 5054334086 | 5054334084 | 5054334082 | 5054334081 | 5054334080 | 40 |
| 5054333876 | 5054333874 | 5054333872 | 5054333871 | 5054333870 | 5054333886 | 5054333884 | 5054333882 | 5054333881 | 5054333880 | 38 |
| 5054333676 | 5054333674 | 5054333672 | 5054333671 | 5054333670 | 5054333686 | 5054333684 | 5054333682 | 5054333681 | 5054333680 | 36 |
| 5054333476 | 5054333474 | 5054333472 | 5054333471 | 5054333470 | 5054333486 | 5054333484 | 5054333482 | 5054333481 | 5054333480 | 34 |
| 5054333276 | 5054333274 | 5054333272 | 5054333271 | 5054333270 | 5054333286 | 5054333284 | 5054333282 | 5054333281 | 5054333280 | 32 |
| 5054333076 | 5054333074 | 5054333072 | 5054333071 | 5054333070 | 5054333086 | 5054333084 | 5054333082 | 5054333081 | 5054333080 | 30 |
| 5054332876 | 5054332874 | 5054332872 | 5054332871 | 5054332870 | 5054332886 | 5054332884 | 5054332882 | 5054332881 | 5054332880 | 28 |
| 5054332676 | 5054332674 | 5054332672 | 5054332671 | 5054332670 | 5054332686 | 5054332684 | 5054332682 | 5054332681 | 5054332680 | 26 |
| 5054332476 | 5054332474 | 5054332472 | 5054332471 | 5054332470 | 5054332486 | 5054332484 | 5054332482 | 5054332481 | 5054332480 | 24 |
| 5054332276 | 5054332274 | 5054332272 | 5054332271 | 5054332270 | 5054332286 | 5054332284 | 5054332282 | 5054332281 | 5054332280 | 22 |
| 5054332076 | 5054332074 | 5054332072 | 5054332071 | 5054332070 | 5054332086 | 5054332084 | 5054332082 | 5054332081 | 5054332080 | 20 |
| 5054331876 | 5054331874 | 5054331872 | 5054331871 | 5054331870 | 5054331886 | 5054331884 | 5054331882 | 5054331881 | 5054331880 | 18 |
| 5054331676 | 5054331674 | 5054331672 | 5054331671 | 5054331670 | 5054331686 | 5054331684 | 5054331682 | 5054331681 | 5054331680 | 16 |
| 5054331476 | 5054331474 | 5054331472 | 5054331471 | 5054331470 | 5054331486 | 5054331484 | 5054331482 | 5054331481 | 5054331480 | 14 |
| 5054331276 | 5054331274 | 5054331272 | 5054331271 | 5054331270 | 5054331286 | 5054331284 | 5054331282 | 5054331281 | 5054331280 | 12 |
| 5054331076 | 5054331074 | 5054331072 | 5054331071 | 5054331070 | 5054331086 | 5054331084 | 5054331082 | 5054331081 | 5054331080 | 10 |
| 5054330876 | 5054330874 | 5054330872 | 5054330871 | 5054330870 | 5054330886 | 5054330884 | 5054330882 | 5054330881 | 5054330880 | 8 |

発注番号 ORDER NUMBER

エンボステープ梱包
PACKAGING STYLE : EMBOSSED TAPE AND REEL

極数
CIRCUIT SIZE

| | | | | | |
|---|---------|------------------------|--|--|--|
| THIS DRAWING CONTAINS INFORMATION THAT IS PROPRIETARY TO MOLEX ELECTRONIC TECHNOLOGIES, LLC AND SHOULD NOT BE USED WITHOUT WRITTEN PERMISSION | | CURRENT REV DESC: | | molex | |
| DIMENSION UNITS | SCALE | | | | |
| mm | NTS | | | MICRO-LOCK PLUS 1.25 W/B DUAL ROW VERTICAL SMT PLUG ASSEMBLY TIN-BISMUTH PLATING | |
| GENERAL TOLERANCES (UNLESS SPECIFIED) | | | | PRODUCT CUSTOMER DRAWING | |
| ANGULAR TOL | ± 3.0 ° | | | DOCUMENT NUMBER | |
| 4 PLACES | ± 0.2 | EC NO: 736271 | | 5054330000 | |
| 3 PLACES | ± 0.2 | DRWN: SOKUMURA01 | | DOC TYPE | |
| 2 PLACES | ± 0.2 | CHK'D: SAKIYAMA | | DOC PART | |
| 1 PLACE | ± 0.2 | APPR: AIDA | | REVISION | |
| 0 PLACES | ± 0.2 | INITIAL REVISION: | | E | |
| DRAFT WHERE APPLICABLE MUST REMAIN WITHIN DIMENSIONS | | DRWN: TAKAIKE | | MATERIAL NUMBER | |
| | | APPR: TKANEKO | | CUSTOMER | |
| | | THIRD ANGLE PROJECTION | | GENERAL | |
| | | DRAWING | | SHEET NUMBER | |
| | | A3-SIZE | | 5 OF 5 | |
| | | SERIES | | | |
| | | 505433 | | | |