



产品编号 : 5055700701

Product Description : 2.00mm Pitch, Micro-Lock Plus Receptacle Crimp Housing, Single Row, Positive Lock, 7 Circuits, Low-Halogen, Black

系列号 : 505570

状态 : Active

Product Category : Connector Housings

文件和资源

图纸

图纸 5055700701_sd.pdf

3D 模型和设计文件

2D 图纸 DXF 5055700701.dxf

2D 图纸 DXF PDF 5055700701.pdf

3D模型 5055700701_stp.zip

规格

应用规格 5055700001-A03.pdf

包装规格 5055709200-200.pdf

产品规格 5055700001-PS-000.pdf


产品规格 5055700002-PS-000.pdf

产品规格 5055700003-PS-000.pdf

产品规格 5055701001-PS-000.pdf

产物环境合规

合规

GADSL/IMDS	Not Relevant
China RoHS	
EU ELV	Not Relevant
Low-Halogen Status	Low-Halogen per IEC 61249-2-21
REACH SVHC	Not Contained per D(2023)8585-DC (23 Jan 2024)
EU RoHS	Compliant per EU 2015/863

多部分产品合规性声明

- Eu RoHS
- REACH SVHC
- Low-Halogen

- IPC 1752A Class C
- IPC 1752A Class D
- Molex Product Compliance Declaration
- IEC-62474
- chemSHERPA (xml)

欧盟 RoHS 合格证书

产品详情

常规

状态	活动
类别	Connector Housings
系列	505570
说明	2.00mm Pitch, Micro-Lock Plus Receptacle Crimp Housing, Single Row, Positive Lock, 7 Circuits, Low-Halogen, Black
应用	Signal, Wire-to-Board, Wire-to-Wire
产品系列	Micro-Lock Connector System
产品名称	Micro-Lock Plus
UPC	889056572842

机构

UL	E29179
----	--------

物理

电路数（最多）	7
颜色-树脂	黑色
阻燃性	94V-0
性别	Receptacle
符合灼热丝规范	否
插接极性	无
锁定插接部位	是
材料 - 树脂	Polyester
净重	400.180/mg
行数	1
包装形式	Bag

面板安装式	否
间距 - 插配接口	2.00mm
间距 - 终端界面	2.00mm
有极性的插配件	是
运行温度范围	-40° to +105° C

可配插/可连接使用的产品

可配插部件

描述	产品编号
2.00mm Pitch Micro-Lock Plus Vertical, Single Row, Surface Mount Headers	<u>505575</u>
2.00mm Pitch Micro-Lock Plus Right-Angle, Single Row, Surface Mount Headers	<u>505578</u>
2.00mm Pitch, Micro-Lock Plus Single Row Plug Housings	<u>213719</u>

可连接使用部件

描述	产品编号
2.00mm Pitch Micro-Lock Plus Female Crimp Terminals	<u>505572</u>

△4 キャビティ番号および金型番号
CAVITY & MOLD NUMBER

△4 トレードマーク
TRADE MARK

回路番号N
CIRCUIT N

回路番号1
CIRCUIT 1

回路番号1マーク
CIRCUIT 1 MARK

注記:

NOTES:

△1 材質: TABLE 1参照
MATERIAL: SEE TABLE 1

△2 偶数極に適用
APPLY TO EVEN CIRCUIT

△3 製品仕様書、コネクタ取扱説明書、適合嵌合相手、
適合端子はSHEET 2をご参照ください。
PLEASE REFER TO SHEET 2 FOR PRODUCT SPECIFICATION,
APPLICATION SPECIFICATION, MATE WITH
AND APPLICABLE TERMINAL.

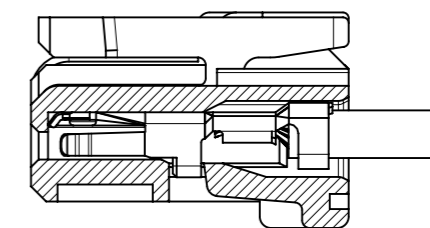
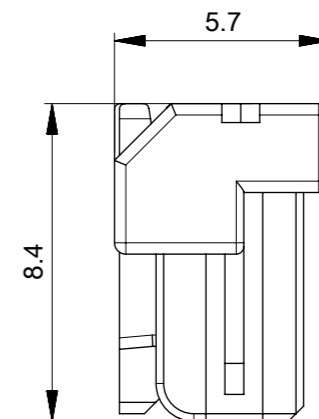
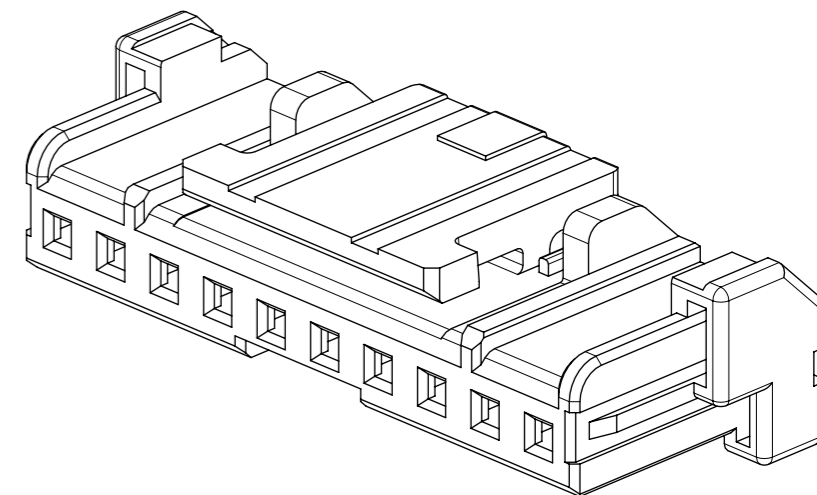
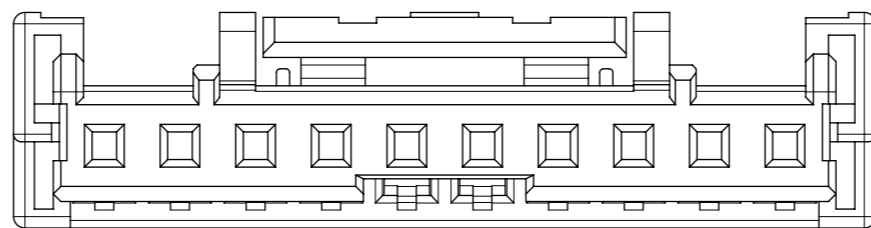
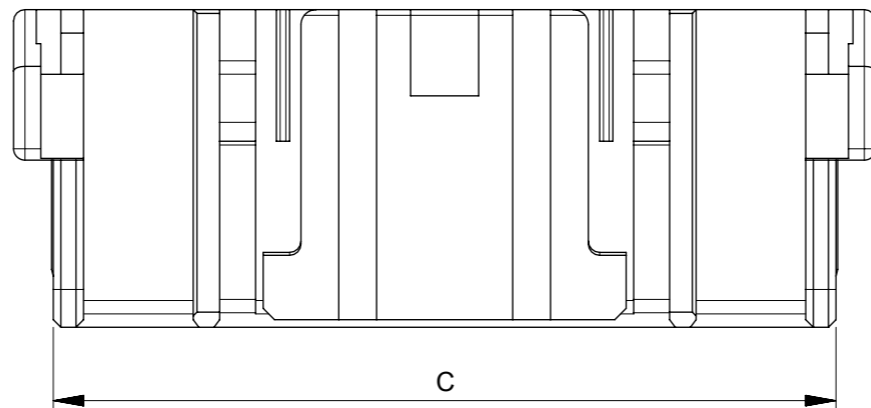
△4 トレードマーク: MXLにて表示。
キャビティ暗号: 1桁から2桁の数字にて表示。
金型番号: アルファベット1文字にて表示。
TRADE MARK IS FORMED BY MXL.
AND BY 1-2 DIGIT NUMBER (TO CAVITY NUMBER)
AND BY LETTER OF ALPHABET (TO MOLD NUMBER)

△5 発注番号: SHEET 2参照
ORDER NUMBER: PLEASE REFER TO SHEET 2

505570**0*

極数
CIRCUIT SIZE

番号 NO.	ハウジングカラー HOUSING COLOR
0	ナチュラル(白) NATURAL (WHITE)
1	黒 BLACK



ターミナル装着図
TERMINAL ASSEMBLY DRAWING

32.7	30	34.8	16
30.7	28	32.8	15
28.7	26	30.8	14
26.7	24	28.8	13
24.7	22	26.8	12
22.7	20	24.8	11
20.7	18	22.8	10
18.7	16	20.8	9
16.7	14	18.8	8
14.7	12	16.8	7
12.7	10	14.8	6
10.7	8	12.8	5
8.7	6	10.8	4
6.7	4	8.8	3
4.7	2	6.8	2
C	B	A	極数 CIRCUIT SIZE

△4 TABLE 1

部品 PART	材質 MATERIAL
ハウジング HOUSING	ポリエステル(PBT), UL94 V-0, 色: SHEET 2参照 POLYESTER(PBT), UL94 V-0, COLOR: SEE SHEET 2

DOCUMENT STATUS	P1	RELEASE DATE	2023/08/04	04:03:57
-----------------	----	--------------	------------	----------

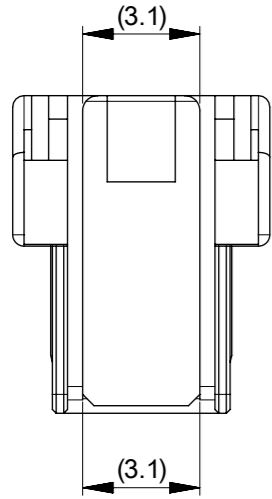
DIMENSION UNITS		SCALE	CURRENT REV DESC: REVISED			DOCUMENT NUMBER			DOC TYPE DOC PART REVISION		
mm		NTS				5055700001			PSD 000 C		
GENERAL TOLERANCES (UNLESS SPECIFIED)		ANGULAR TOL		± 3.0°		EC NO: 718854			2022/07/28		
4 PLACES		±				DRWN: SOKUMURA01			2023/08/04		
3 PLACES		±				CHK'D: SAKIYAMA			2023/08/04		
2 PLACES		±				APPR: MARAI			2023/08/04		
1 PLACE		± 0.2				INITIAL REVISION:					
0 PLACES		± 0.2				DRWN: TENAGASE			2016/03/29		
						APPR: TKANEKO			2016/04/18		
DRAFT WHERE APPLICABLE MUST REMAIN WITHIN DIMENSIONS		THIRD ANGLE PROJECTION		DRAWING		SERIES		MATERIAL NUMBER		CUSTOMER	
		A3-SIZE		505570		SEE SHEET 3		GENERAL		1 OF 2	

molex

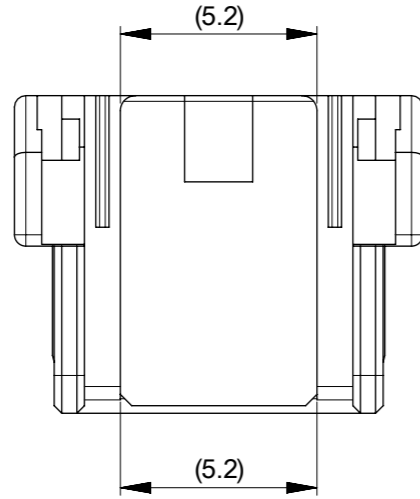
MICRO-LOCK PLUS 2.0
SINGLE ROW RECEPTACLE HOUSING

PRODUCT CUSTOMER DRAWING

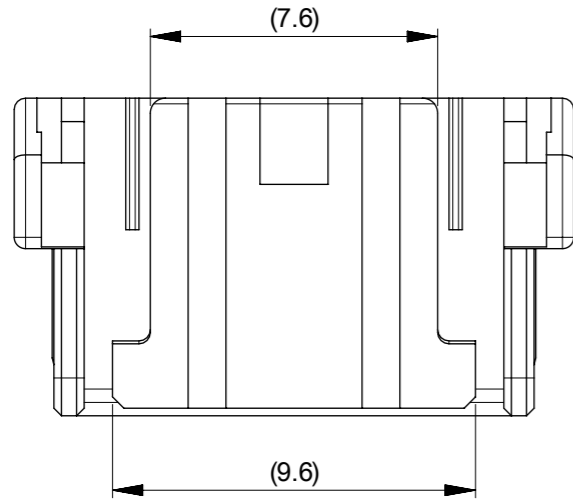
製品形状
PRODUCT SHAPE



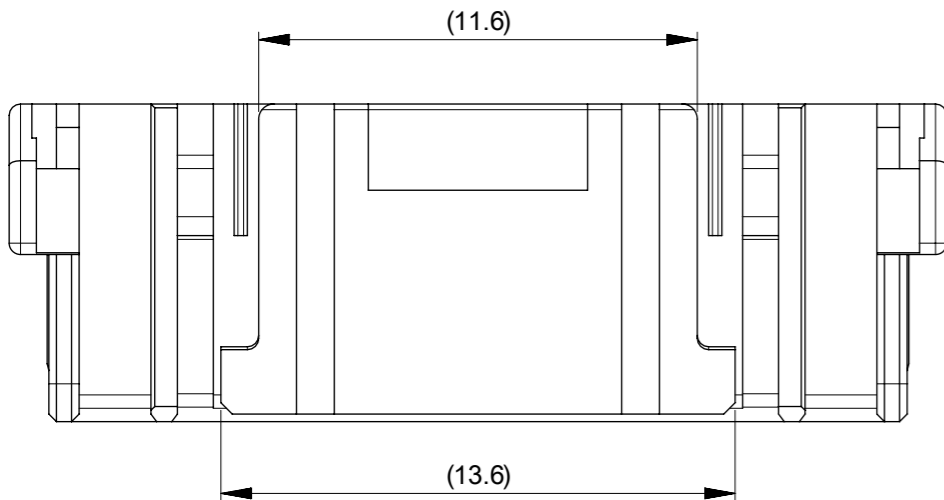
2-3極
2-3 CIRCUIT



4-5極
4-5 CIRCUIT



6-10極
6-10 CIRCUIT



11-16極
11-16 CIRCUIT

3 適合製品及び各種仕様書 APPLICABLE PRODUCTS AND VARIOUS SPECIFICATIONS

梱包仕様書 PACKAGING SPECIFICATION	PART NUMBER	SPECIFICATION NUMBER			
	505570**0*	5055709200 PS 200			
適合端子 APPLICABLE TERMINAL	PART NUMBER	PLATING TYPE		WIRE SIZE(AWG)	
	5055721000	TIN		#22-26	
	5055721*00 1, 2, 3 ↑	GOLD		#22-26	
適合嵌合相手 MATE WITH	タイプ TYPE	WIRE TO BOARD			WIRE TO WIRE
		TIN PLATING		GOLD PLATING	
	VERTICAL	RIGHT ANGLE	VERTICAL	RIGHT ANGLE	-
	505575**** 7, 8 ↑	505578**7*	505575**** 2, 3, 4, 5, 6, 9 ↑	505578**** 2, 4, 6 ↑	2137192***
製品仕様書 PRODUCT SPECIFICATION	5055700001 PS 000		5055700002-PS PS 000		5055700003-PS PS 000
コネクタ取扱説明書 APPLICATION SPECIFICATION	5055700001 PS A03				

製品嵌合図は各適合嵌合相手図面を参照のこと
MATING VIEW : REFER TO EACH "MATE WITH" PART DRAWING.

5 505570**0* 発注番号一覧 ORDER NUMBER LIST

BLACK	NATURAL (WHITE)	HOUSING COLOR
5055701601	5055701600	16
5055701501	5055701500	15
5055701401	5055701400	14
5055701301	5055701300	13
5055701201	5055701200	12
5055701101	5055701100	11
5055701001	5055701000	10
5055700901	5055700900	9
5055700801	5055700800	8
5055700701	5055700700	7
5055700601	5055700600	6
5055700501	5055700500	5
5055700401	5055700400	4
5055700301	5055700300	3
5055700201	5055700200	2
発注番号 ORDER NUMBER	極数 CIRCUIT SIZE	
梱包形態 : ポリ袋 PACKAGING : POLYBAG PACKAGE		

THIS DRAWING CONTAINS INFORMATION THAT IS PROPRIETARY TO MOLEX ELECTRONIC TECHNOLOGIES, LLC AND SHOULD NOT BE USED WITHOUT WRITTEN PERMISSION									
DIMENSION UNITS	SCALE	CURRENT REV DESC: REVISED							
mm	NTS								
GENERAL TOLERANCES (UNLESS SPECIFIED)									
ANGULAR TOL	± 3.0 °	MICRO-LOCK PLUS 2.0 SINGLE ROW RECEPTACLE HOUSING PRODUCT CUSTOMER DRAWING							
4 PLACES	±	EC NO: 718854	2022/07/28		DOCUMENT NUMBER				
3 PLACES	±	DRWN: SOKUMURA01	2023/08/04		5055700001				
2 PLACES	±	CHK'D: SAKIYAMA	2023/08/04		PSD 000 C				
1 PLACE	± 0.2	APPR: MARAI	2023/08/04		REVISION				
0 PLACES	± 0.2	INITIAL REVISION:	2016/03/29		SHEET NUMBER				
DRAFT WHERE APPLICABLE MUST REMAIN WITHIN DIMENSIONS		DRWN: TENAGASE	2016/04/18		2 OF 2				
THIRD ANGLE PROJECTION		DRAWING	SERIES	MATERIAL NUMBER	CUSTOMER				
		A3-SIZE	505570	SEE SHEET 3	GENERAL				