



产品编号 : 5056051000

Product Description : CP-3.3 Receptacle Housing, 3.30mm Pitch, Dual Row, Polarized, Positive Inertia Lock, 10 Circuits, Natural

系列号 : 505605

状态 : Active

Product Category : Connector Housings

文件和资源

图纸

图纸 5056051000_sd.pdf

3D 模型和设计文件

3D模型 5056051000_stp.zip

规格

应用规格 5056050000-A01.pdf


应用规格 5056050000-A00.pdf

包装规格 5056059200-200.pdf

产品规格 5056050000-000.pdf

产物环境合规

合规

| | |
|--------------------|---|
| GADSL/IMDS | Not Relevant |
| China RoHS |  |
| EU ELV | Not Relevant |
| Low-Halogen Status | Not Low-Halogen per IEC 61249-2-21 |
| REACH SVHC | Not Contained per D(2023)8585-DC (23 Jan 2024) |
| EU RoHS | Compliant per EU 2015/863 |

多部分产品合规性声明

- Eu RoHS
- REACH SVHC
- Low-Halogen

- IPC 1752A Class C
- IPC 1752A Class D

- Molex Product Compliance Declaration

- IEC-62474

- chemSHERPA (xml)

欧盟 RoHS 合格证书

产品详情

常规

| | |
|------|---|
| 状态 | 活动 |
| 类别 | Connector Housings |
| 系列 | 505605 |
| 说明 | CP-3.3 Receptacle Housing, 3.30mm Pitch, Dual Row, Polarized, Positive Inertia Lock, 10 Circuits, Natural |
| 应用 | Signal, Wire-to-Wire |
| 产品系列 | CP Wire-to-Board and Wire-to-Wire Connector Systems |
| 产品名称 | CP-3.3 |
| UPC | 889056802765 |

机构

| | |
|----|--------|
| UL | E29179 |
|----|--------|

物理

| | |
|---------|-------------|
| 电路数（最多） | 10 |
| 颜色-树脂 | Natural |
| 阻燃性 | 94V-0 |
| 性别 | Receptacle |
| 符合灼热丝规范 | 否 |
| 插接极性 | 是 |
| 锁定插接部位 | 是 |
| 材料 - 树脂 | PBT |
| 净重 | 2880.000/mg |
| 行数 | 2 |
| 包装形式 | Bag |
| 面板安装式 | 否 |

| | |
|-----------|-----------------|
| 间距 - 插配接口 | 3.30mm |
| 间距 - 终端界面 | 3.30mm |
| 有极性的插配件 | 是 |
| 可堆叠的 | 否 |
| 运行温度范围 | -40° to +105° C |

可配插/可连接使用的产品

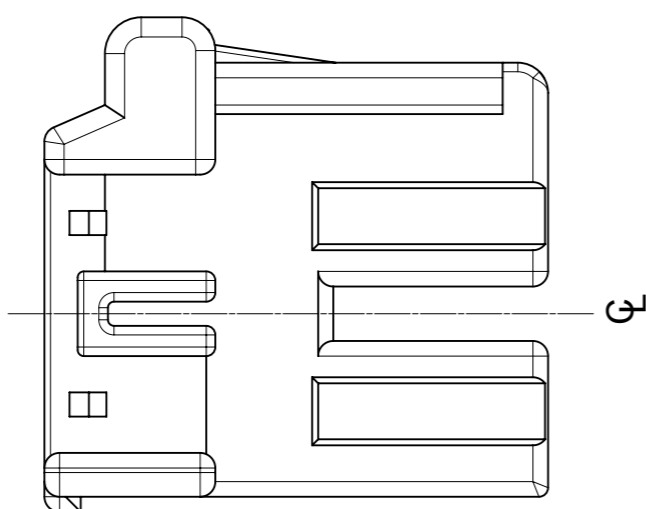
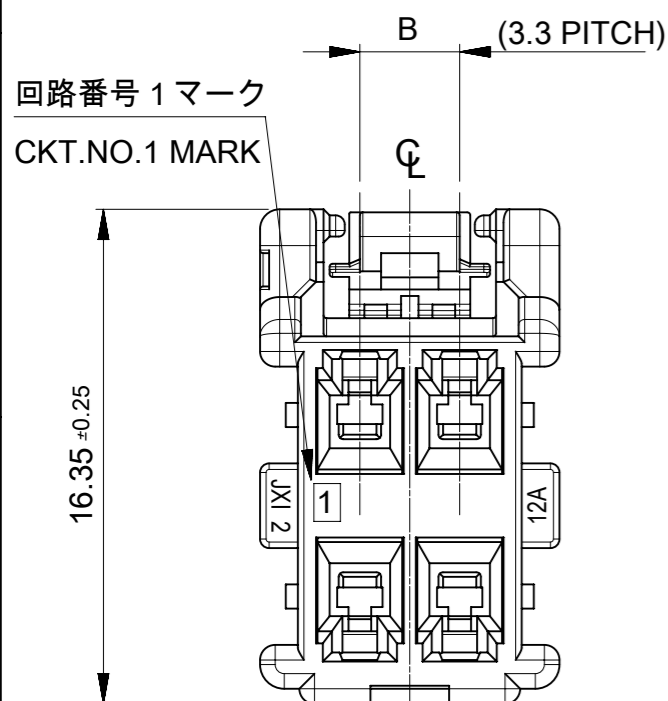
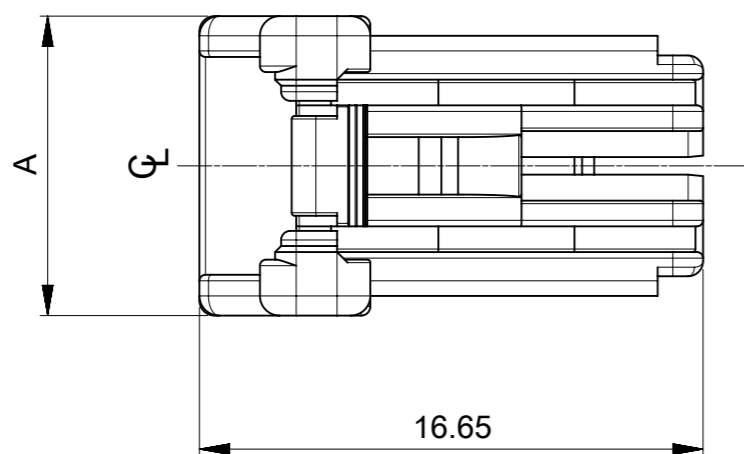
可配插部件

| 描述 | 产品编号 |
|---|-------------------|
| CP-3.3 Plug Housing, 3.30mm Pitch, Dual Row, Polarized, Positive Inertia Lock, 10 Circuits, Natural | <u>5056061000</u> |

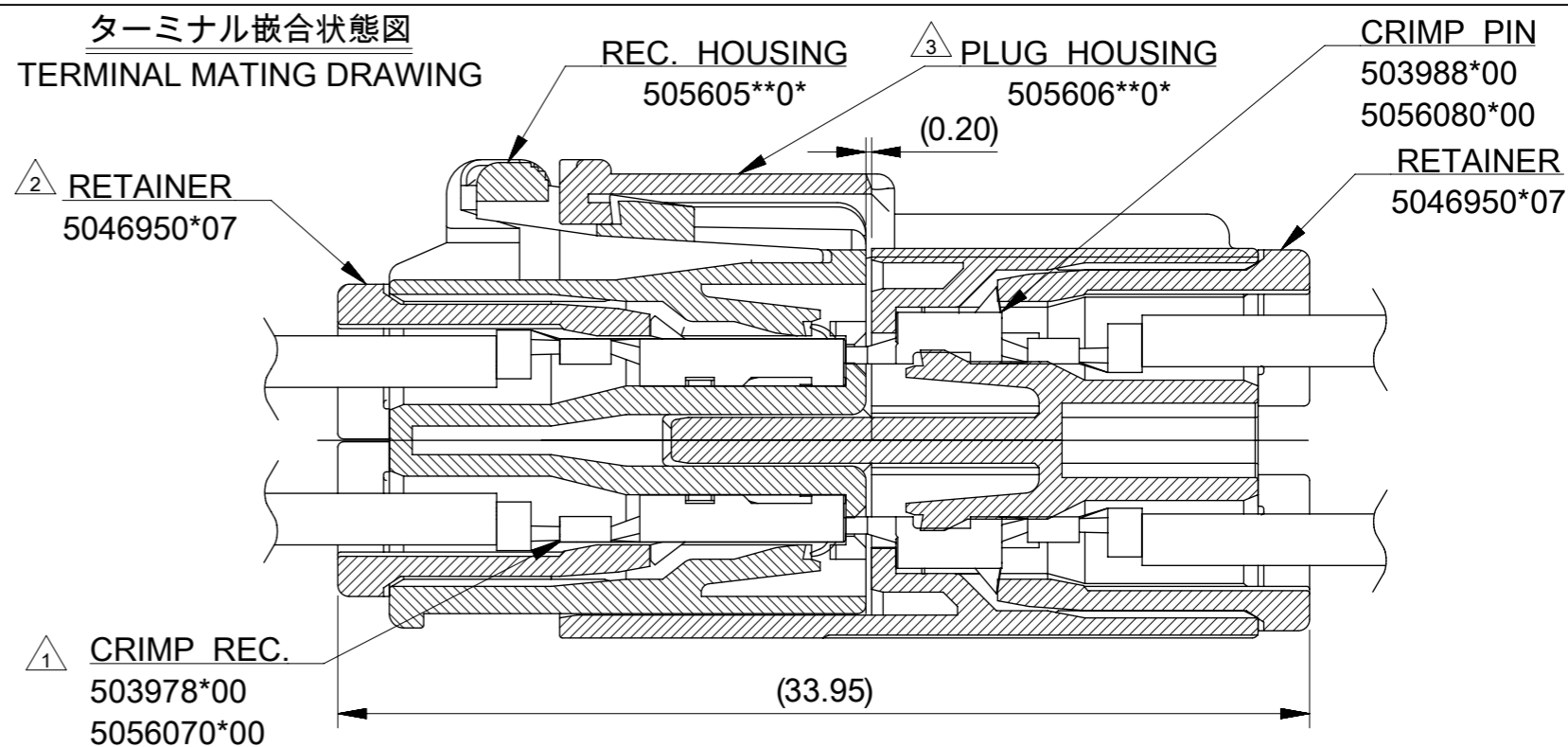
可连接使用部件

| 描述 | 产品编号 |
|--|---------------|
| CP-3.3 Terminal Position Assurance (TPA) Retainers | <u>504695</u> |
| CP-2.5 Mini and CP-3.3 Female Crimp Terminals | <u>50397</u> |
| CP-3.3 Wire-to-Wire Female Crimp Terminals | <u>505607</u> |

SHAPE OF 4CKTS



ターミナル嵌合状態図
TERMINAL MATING DRAWING



注記
NOTES

- ① 適合ターミナル : 50397,505607 シリーズ
APPLICABLE TERMINAL : 50397,505607 SERIES
- ② 適合リテーナー : 504695 シリーズ
APPLICABLE RETAINER : 504695 SERIES
- ③ 嵌合相手 : 505606 シリーズ
MATE WITH : 505606 SERIES
- 4. 材質 : POLYESTER(PBT),UL94V-0
MATERIAL : POLYESTER(PBT),UL94V-0
- 5. MATERIAL NO. は以下の内容を示す。
MATERIAL No. : 505605**0*
極数 CKT. | 色 COLOR
0:自然色 NATURAL
1:黒 BLACK
2:赤 RED
3:黄 YELLOW

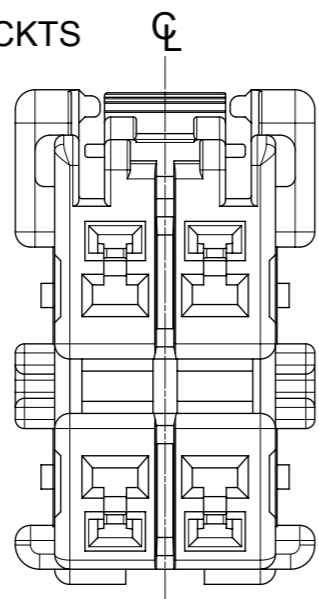
| | | | | |
|------|------|---------|------------------|------------|
| 16.5 | 23.1 | 12 | 505605120* | 505605**0* |
| 13.2 | 19.8 | 10 | 505605100* | |
| 9.9 | 16.5 | 8 | 505605080* | |
| 6.6 | 13.2 | 6 | 505605060* | |
| 3.3 | 9.9 | 4 | 505605040* | |
| (B) | A | 極数 CKT. | BAG PACKAGE | MODEL NO. |
| | | | オーダー番号 ORDER NO. | |

THIS DRAWING CONTAINS INFORMATION THAT IS PROPRIETARY TO MOLEX ELECTRONIC TECHNOLOGIES, LLC AND SHOULD NOT BE USED WITHOUT WRITTEN PERMISSION

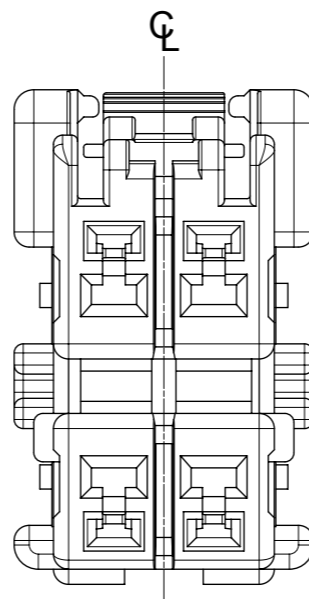
| | | | | | | |
|---|------------|---|-----------------|------------------------|--------------------|---------------------|
| EC NO: 168281 DRWN: NITO CHK'D: SAKIYAMA APPR: TKANEKO | 2017/11/21 | GENERAL TOLERANCES (UNLESS SPECIFIED) ANGULAR TOL ± 3.0 ° 4 PLACES ± 0.2 3 PLACES ± 0.2 2 PLACES ± 0.2 1 PLACE ± 0.2 0 PLACES ± 0.2 DRAFT WHERE APPLICABLE MUST REMAIN WITHIN DIMENSIONS | DIMENSION UNITS | SCALE | | |
| | 2017/11/22 | | mm | 4:1 | | |
| | 2017/11/22 | | DRWN BY | DATE | | KOMORI 2016/11/02 |
| | | | CHK'D BY | DATE | | SAKIYAMA 2017/02/08 |
| | | | APPR BY | DATE | TKANEKO 2017/02/08 | |
| | | | DRAWING SIZE | THIRD ANGLE PROJECTION | SERIES | |
| | | | A3 | | 505605 | |
| | | | | | MATERIAL NUMBER | |
| | | | | | 5056050000 | |
| | | | | | CUSTOMER | |
| | | | | | GENERAL | |
| | | | | | DOCUMENT NUMBER | |
| | | | | | 5056050000 | |
| | | | | | DOC TYPE | |
| | | | | | PSD | |
| | | | | | DOC PART | |
| | | | | | 000 | |
| | | | | | SHEET NUMBER | |
| | | | | | 1 OF 2 | |

MATING
KEY TYPE & COLOR

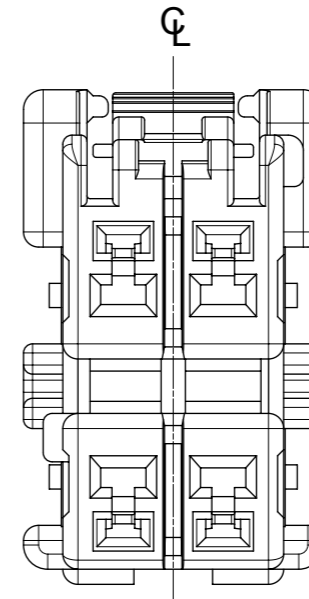
REFERENCE 4 CKTS



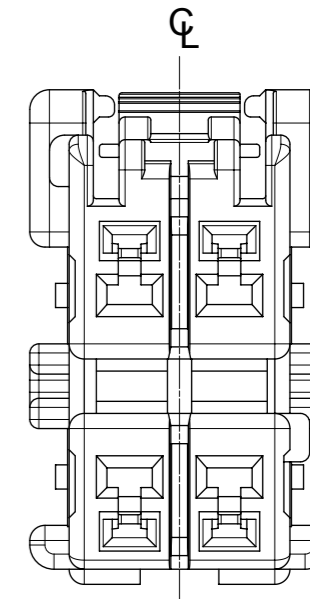
KEY TYPE : 1 COLOR : NATURAL
MATERIAL NO. : 5056050400



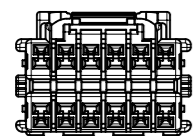
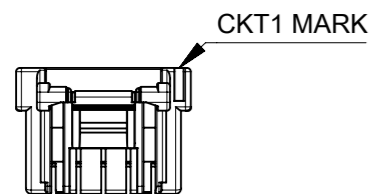
KEY TYPE : 2 COLOR : BLACK
MATERIAL NO. : 5056050401



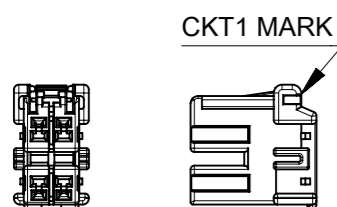
KEY TYPE : 3 COLOR : RED
MATERIAL NO. : 5056050402



KEY TYPE : 4 COLOR : YELLOW
MATERIAL NO. : 5056050403



VIEW OF CKT.10,12
(SCALE 1:1)



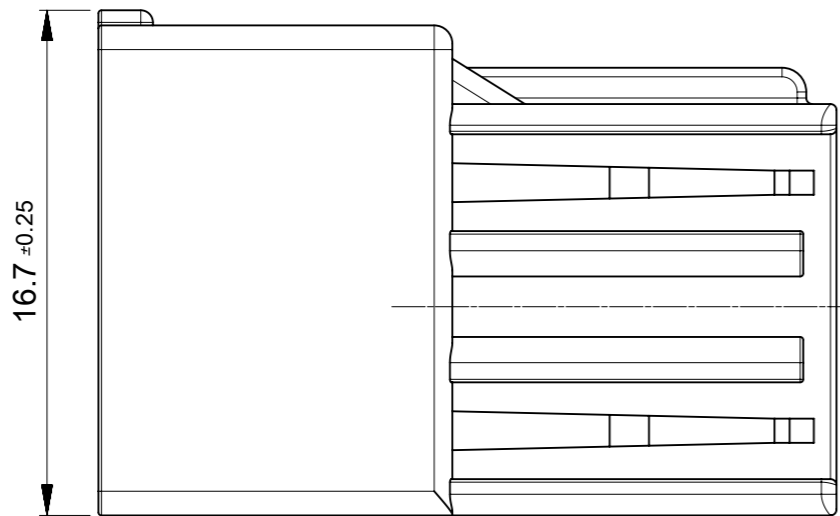
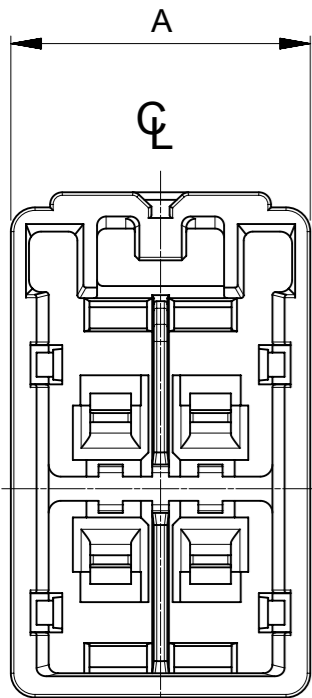
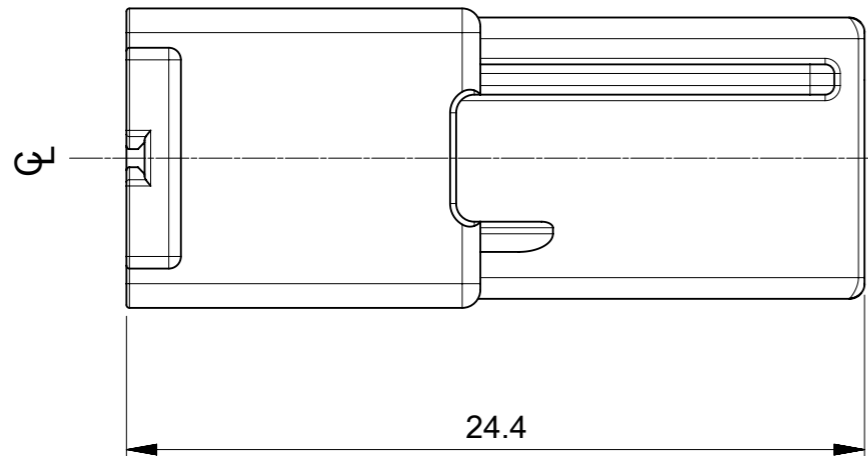
VIEW OF CKT.4,6,8
(SCALE 1:1)

| | | | | | | |
|------------------|----------------------|------------|------------|------------|------------|------------|
| 505606120* | 5046950607 | 12 | 5056051203 | 5056051202 | 5056051201 | 5056051200 |
| 505606100* | 5046950507 | 10 | 5056051003 | 5056051002 | 5056051001 | 5056051000 |
| 505606080* | 5046950407 | 8 | 5056050803 | 5056050802 | 5056050801 | 5056050800 |
| 505606060* | 5046950307 | 6 | 5056050603 | 5056050602 | 5056050601 | 5056050600 |
| 505606040* | 5046950207 | 4 | 5056050403 | 5056050402 | 5056050401 | 5056050400 |
| MATE WITH | CONFORTABLE-RETAINER | 極数 CKT. | YELLOW | RED | BLACK | NATURAL |
| BAG PACKAGE | | | | | | |
| オーダー番号 ORDER NO. | | | | | | |

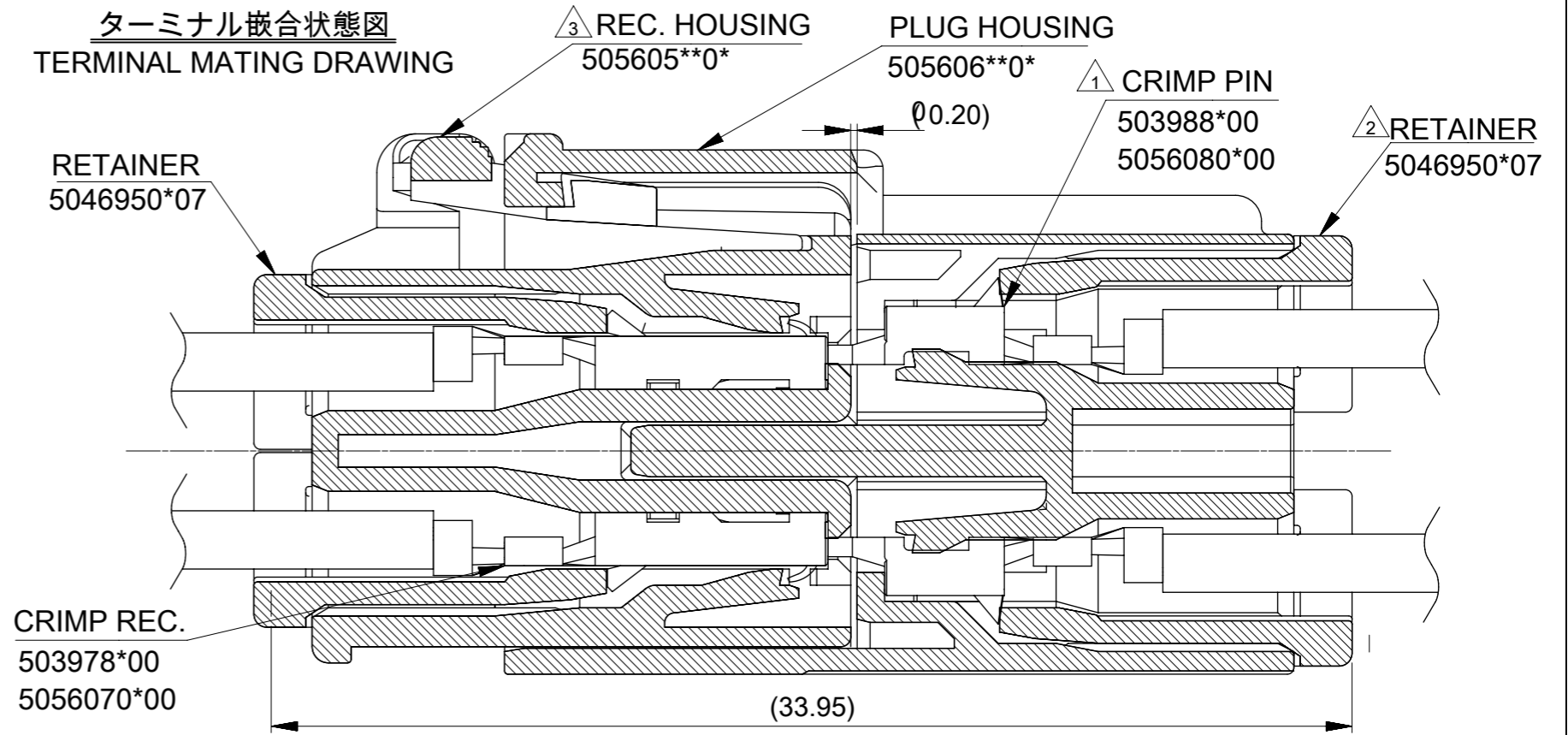
THIS DRAWING CONTAINS INFORMATION THAT IS PROPRIETARY TO MOLEX ELECTRONIC TECHNOLOGIES, LLC AND SHOULD NOT BE USED WITHOUT WRITTEN PERMISSION

| | | | | | | | |
|---|--|---------------------------------------|------------------------|-----------------|-----------------|------------|--------------|
| EC NO: 168281 DRWN: NITO CHK'D: SAKIYAMA APPR: TKANEKO | 2017/11/21 | GENERAL TOLERANCES (UNLESS SPECIFIED) | DIMENSION UNITS | SCALE | | | |
| | 2017/11/22 | | mm | 4:1 | | | |
| | 2017/11/22 | | ANGULAR TOL ± 3.0 ° | DRWN BY | | DATE | |
| | | | 4 PLACES ± 0.2 | KOMORI | | 2016/11/02 | |
| | 3 PLACES ± 0.2 | CHK'D BY | DATE | | | | |
| | 2 PLACES ± 0.2 | SAKIYAMA | 2017/02/08 | | | | |
| | 1 PLACE ± 0.2 | APPR BY | DATE | | | | |
| | 0 PLACES ± 0.2 | TKANEKO | 2017/02/08 | | | | |
| | DRAFT WHERE APPLICABLE MUST REMAIN WITHIN DIMENSIONS | DRAWING SIZE | THIRD ANGLE PROJECTION | | | | |
| | | A3 | | | | | |
| | | | | SERIES | MATERIAL NUMBER | CUSTOMER | |
| | | | | 505605 | 5056050000 | GENERAL | |
| | | | | DOCUMENT NUMBER | DOC TYPE | DOC PART | SHEET NUMBER |
| | | | | 5056050000 | PSD | 000 | 2 OF 2 |

SHAPE OF 4CKTS



ターミナル嵌合状態図
TERMINAL MATING DRAWING

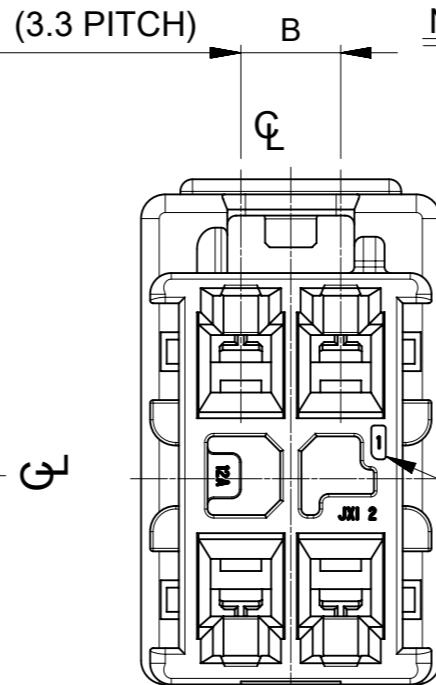


注記
NOTES

- ① 適合ターミナル:50398,505608 シリーズ。
APPLICABLE TERMINAL: 50398,505608 SERIES.
- ② 適合リテーナー : 504695 シリーズ。
APPLICABLE RETAINER:504695 SERIES.
- ③ 嵌合相手:505605 シリーズ。
MATE WITH : 505605 SERIES.
- 4. 材質 : POLYESTER(PBT),UL94V-0
MATERIAL:POLYESTER(PBT),UL94V-0

5. MATERIAL NO. は以下の内容を示す。
MATERIAL NO.

| | | |
|-------------|-----|----------------|
| 505606 **0* | 色 | |
| 極数 | CTK | COLOR |
| | | 0. 自然色 NATURAL |
| | | 1. 黒 BLACK |
| | | 2. 赤 RED |
| | | 3. 黄 YELLOW |



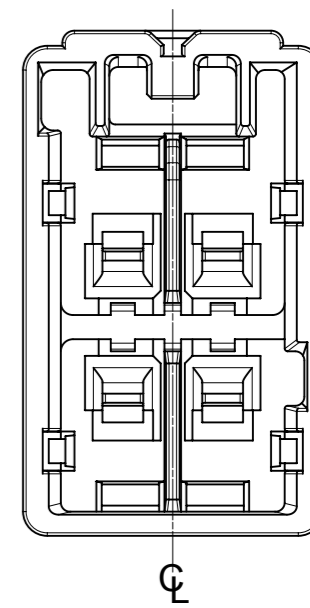
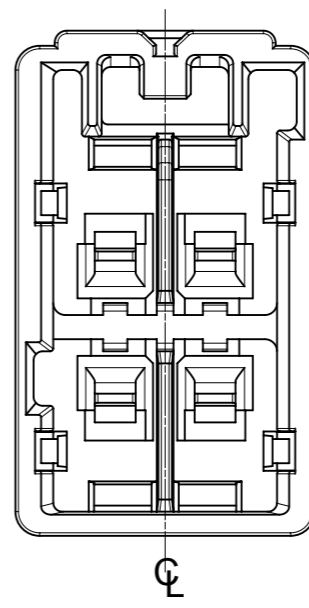
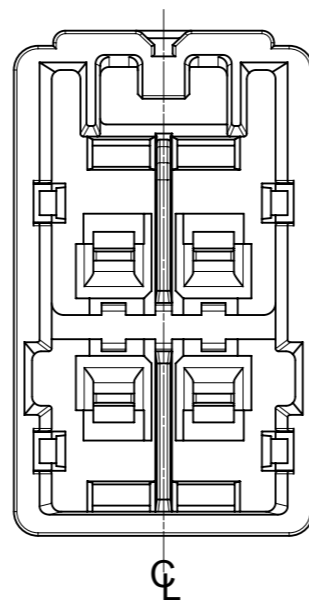
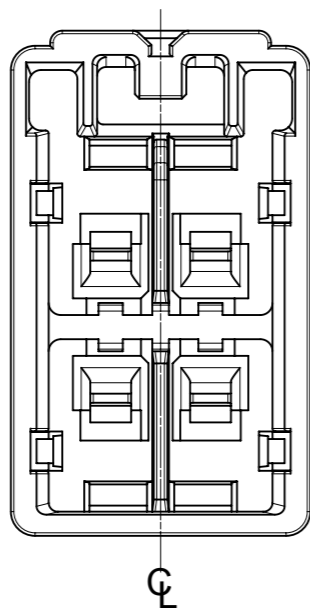
| | | | | |
|------|------|---------|------------------|------------|
| 16.5 | 23.1 | 12 | 505606120* | 505606**0* |
| 13.2 | 19.8 | 10 | 505606100* | |
| 9.9 | 16.5 | 8 | 505606080* | |
| 6.6 | 13.2 | 6 | 505606060* | |
| 3.3 | 9.9 | 4 | 505606040* | |
| (B) | A | 極数 CKT. | BAG PACKAGE | MODEL NO. |
| | | | オーダー番号 ORDER NO. | |

THIS DRAWING CONTAINS INFORMATION THAT IS PROPRIETARY TO MOLEX ELECTRONIC TECHNOLOGIES, LLC AND SHOULD NOT BE USED WITHOUT WRITTEN PERMISSION

| | | | | | | | | | |
|---|------------|------------|---|-----------------|------------------------|--------------------------|-----------------|----------|--------------|
| EC NO: 168281 DRWN: NITO CHK'D: SAKIYAMA APPR: TKANEKO | 2017/11/21 | 2017/11/22 | GENERAL TOLERANCES (UNLESS SPECIFIED) ANGULAR TOL ± 3.0 ° 4 PLACES ± 0.2 3 PLACES ± 0.2 2 PLACES ± 0.2 1 PLACE ± 0.2 0 PLACES ± 0.2 DRAFT WHERE APPLICABLE MUST REMAIN WITHIN DIMENSIONS | DIMENSION UNITS | SCALE | | | | |
| | 2017/11/21 | 2017/11/22 | | mm | 4:1 | | | | |
| | DRWN BY | DATE | | QHE31 | 2016/11/01 | | | | |
| | CHK'D BY | DATE | | SAKIYAMA | 2017/02/08 | | | | |
| 2017/11/21 | 2017/11/22 | 2017/11/22 | | APPR BY | DATE | PRODUCT CUSTOMER DRAWING | | | |
| 2017/11/21 | 2017/11/22 | 2017/11/22 | | TKANEKO | 2017/02/08 | | | | |
| 2017/11/21 | 2017/11/22 | 2017/11/22 | | | | | | | |
| | | | | DRAWING SIZE | THIRD ANGLE PROJECTION | SERIES | MATERIAL NUMBER | CUSTOMER | |
| | | | | A3 | | 505606 | 5056060000 | GENERAL | |
| | | | | | | DOCUMENT NUMBER | DOC TYPE | DOC PART | SHEET NUMBER |
| | | | | | | 5056060000 | PSD | 000 | 1 OF 2 |

MATING
KEY TYPE & COLOR

REFERENCE 4 CKTS



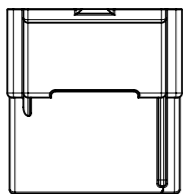
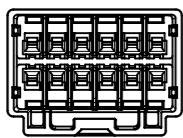
KEY TYPE : 1 COLOR : NATURAL
MATERIAL NO. : 5056060400

KEY TYPE : 2 COLOR : BLACK
MATERIAL NO. : 5056060401

KEY TYPE : 3 COLOR : RED
MATERIAL NO. : 5056060402

KEY TYPE : 4 COLOR : YELLOW
MATERIAL NO. : 5056060403

| | | | | | | |
|------------|----------------------|------------|------------------|------------|------------|------------|
| 505605120* | 5046950607 | 12 | 5056061203 | 5056061202 | 5056061201 | 5056061200 |
| 505605100* | 5046950507 | 10 | 5056061003 | 5056061002 | 5056061001 | 5056061000 |
| 505605080* | 5046950407 | 8 | 5056060803 | 5056060802 | 5056060801 | 5056060800 |
| 505605060* | 5046950307 | 6 | 5056060603 | 5056060602 | 5056060601 | 5056060600 |
| 505605040* | 5046950207 | 4 | 5056060403 | 5056060402 | 5056060401 | 5056060400 |
| MATE WITH | CONFORTABLE-RETAINER | 極数 CKT. | YELLOW | RED | BLACK | NATURAL |
| | | | BAG PACKAGE | | | |
| | | | オーダー番号 ORDER NO. | | | |



CKT1 MARK

VIEW OF 4,6,8,10,12CKTS
(SCALE 1:1)

THIS DRAWING CONTAINS INFORMATION THAT IS PROPRIETARY TO MOLEX ELECTRONIC TECHNOLOGIES, LLC AND SHOULD NOT BE USED WITHOUT WRITTEN PERMISSION

| | | | | | | | | |
|---|----------------|--|---------------------|------------------------|-------------------------------------|-----------------|----------|--------------|
| EC NO: 168281 DRWN: NITO CHK'D: SAKIYAMA APPR: TKANEKO | 2017/11/21 | GENERAL TOLERANCES (UNLESS SPECIFIED) | DIMENSION UNITS | SCALE | | | | |
| | 2017/11/22 | | mm | 4:1 | | | | |
| | | | ANGULAR TOL ± 3.0 ° | DRWN BY | | DATE | | |
| | | | 4 PLACES ± 0.2 | QHE31 | | 2016/11/01 | | |
| | 3 PLACES ± 0.2 | | CHK'D BY | DATE | CP 3.3 W/W DUAL ROW PLUG HOUSING | | | |
| | 2 PLACES ± 0.2 | SAKIYAMA | 2017/02/08 | | | | | |
| | 1 PLACE ± 0.2 | TKANEKO | 2017/02/08 | | | | | |
| | 0 PLACES ± 0.2 | | APPR BY | DATE | PRODUCT CUSTOMER DRAWING | | | |
| | | DRAFT WHERE APPLICABLE MUST REMAIN WITHIN DIMENSIONS | DRAWING SIZE | THIRD ANGLE PROJECTION | SERIES | MATERIAL NUMBER | CUSTOMER | |
| | | | A3 | | 505606 | 5056060000 | GENERAL | |
| | | | | | DOCUMENT NUMBER | DOC TYPE | DOC PART | SHEET NUMBER |
| | | | | | 5056060000 | PSD | 000 | 2 OF 2 |