



产品编号 : 5056080000

系列号 : 505608

Product Category : Crimp Terminals

Product Description : 2.50mm and 3.30mm
Pitch Crimp Terminal, Male, 18-22 AWG,
Reel

状态 : Active

Packaging Alternative : 5056080100 (Bag)

文件和资源

图纸

图纸 5056080000_sd.pdf

3D 模型和设计文件

3D模型 5056080000_stp.zip

规格

应用规格 5056050000-A01.pdf

应用规格 AS-504693-001-001.pdf

应用规格 AS-504693-002-001.pdf

应用规格 5056050000-A00.pdf

包装规格 5056089200-200.pdf

产品规格 PS-504693-001-001.pdf


产品规格 5056050000-000.pdf

模具规格

压接规格 5056070000-C00.pdf

产物环境合规

合规

| | |
|--------------------|---|
| GADSL/IMDS | Compliant with Exemption 44; 34 |
| China RoHS |  |
| EU ELV | Not Relevant |
| Low-Halogen Status | Not Relevant |
| REACH SVHC | Not Contained per D(2023)8585-DC (23 Jan 2024) |
| EU RoHS | Compliant per EU 2015/863 |

多部分产品合规性声明

- Eu RoHS

- REACH SVHC

- Low-Halogen
- IPC 1752A Class C
- IPC 1752A Class D
- Molex Product Compliance Declaration
- IEC-62474
- chemSHERPA (xml)

欧盟 RoHS 合格证书

产品详情

常规

| | |
|------|---|
| 状态 | 活动 |
| 类别 | Crimp Terminals |
| 系列 | 505608 |
| 说明 | 2.50mm and 3.30mm Pitch Crimp Terminal, Male, 18-22 AWG, Reel |
| 应用 | Signal, Wire-to-Wire |
| 产品系列 | CP Wire-to-Board and Wire-to-Wire Connector Systems |
| 产品名称 | CP-3.3 |
| UPC | 889056802413 |

电气

| | |
|---------|------------------|
| 每触点最大电流 | 6.0A |
| 电压 - 最大 | 300V AC (RMS)/DC |

物理

| | |
|-------------|----------------------|
| 性别 | 男 |
| 材料 - 金属 | Copper Alloy |
| 材料 - 接合部位电镀 | Tin |
| 材料 - 终端电镀 | Tin |
| 净重 | 102.000/mg |
| 包装形式 | Reel |
| 最薄镀层 - 接合部位 | 0.914µm |
| 最薄镀层 - 端接 | 0.914µm |
| 终端界面类型 | Crimp or Compression |
| 导线绝缘直径 | 1.55-2.60mm |

| | |
|---------------------|------------|
| 线径规格 (AWG) | 18, 20, 22 |
| 线缆尺寸mm ² | 不适用 |

可连接使用部件

| 描述 | 产品编号 |
|---------------------------------|---------------|
| CP-3.3 Single Row Plug Housings | <u>504694</u> |
| CP-3.3 Dual Row Plug Housings | <u>505606</u> |

施工工具

全局

| 描述 | 产品编号 |
|---|-------------------|
| Hand Crimp Tool for CP-3.3 Wire-to-Wire Plug and Receptacle Terminals, 18-22 AWG, UL1007 Wire | <u>2002184000</u> |
| FineAdjust Applicator for CP 3.3 Wire-to-Wire Plug and Receptacle Terminals, 18-22 AWG | <u>2037022300</u> |
| Extraction Tool for MTC (Multi Terminal Connector) Female Terminal, 14-18 AWG | <u>638138600</u> |

施工工具

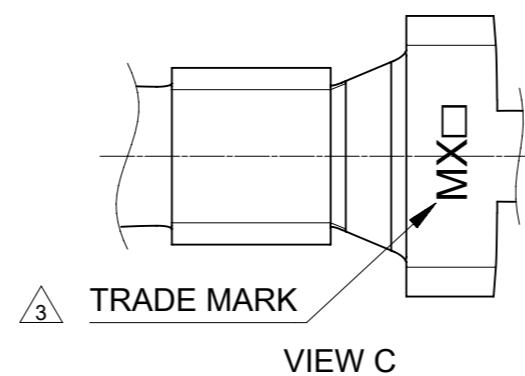
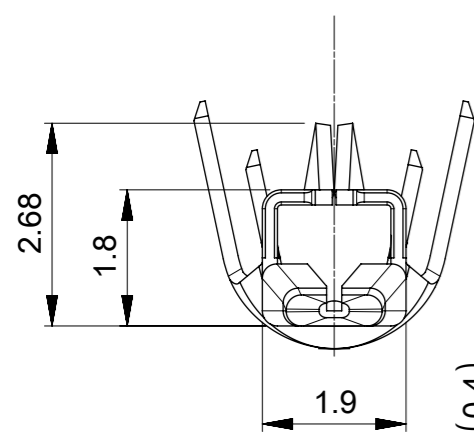
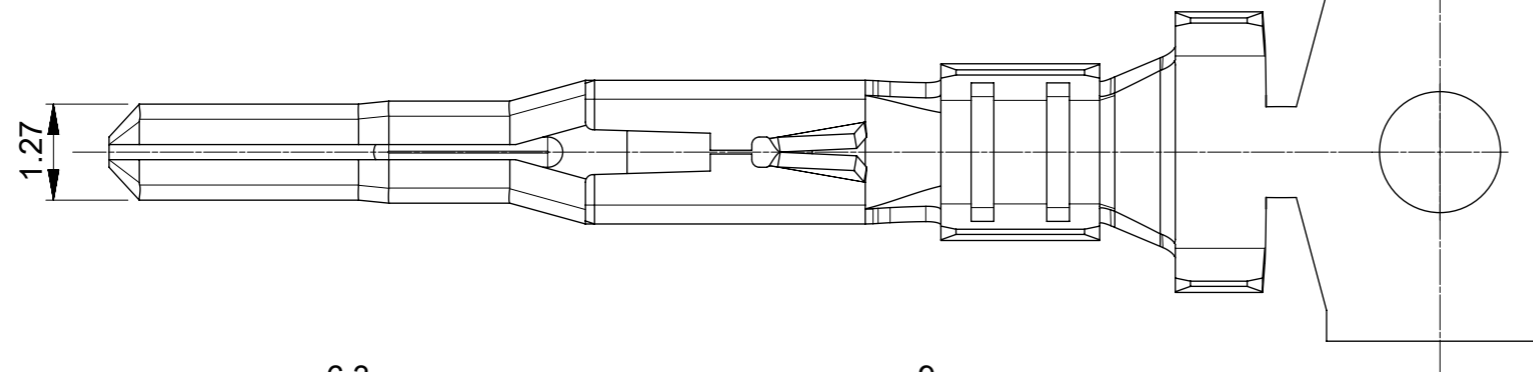
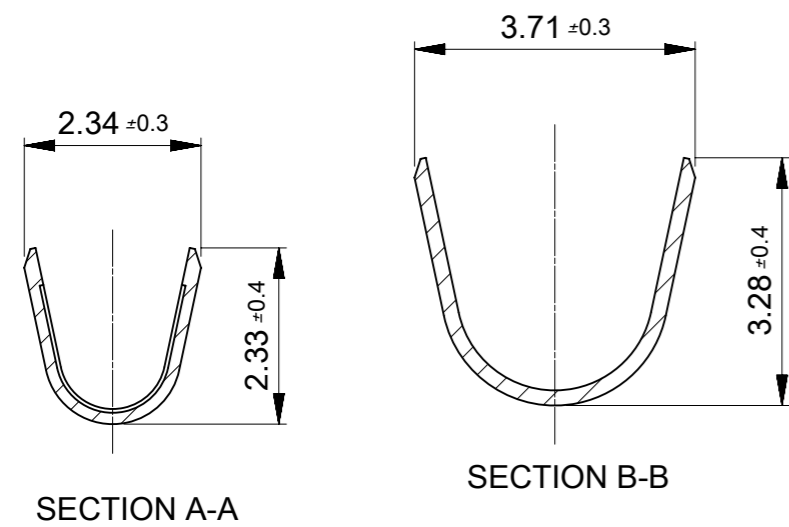
日本

| 描述 | 产品编号 |
|--|-------------------|
| S-1 Applicator for CP-3.3 Terminals, 18-22 AWG | <u>2014003700</u> |

注記

NOTES

- 適合ハウジング : 504694,505606 SERIES
APPLICABLE HOUSING:504694,505606 SERIES
- 材料 MATERIAL
銅合金(t=0.2)
COPPER ALLOY(t=0.2)
錫めっき 0.7μm以上 リフロー処理(前めっき)
TIN 0.7μm MIN. REFLOW TREATMENT (PRE-PLATED)
- △トレードマーク : MXプラス1文字の製造工場を示す
アルファベットにて表示。
但し"J"はJAPANを示す。
FORMED BY MX AND 1 MORE LETTER OF ALPHABET
WHICH MEAN THE MANUFACTORY.
BUT "J" MEANS JAPAN. (TO TRADE MARK) (ex MXJ)
ELV AND RoHS COMPLIANT
- 適用電線サイズ AWG#18 ~ 22
APPLICABLE WIRE AWG#18 ~ 22
- 被覆外径 : 1.55 ~ 2.6mm
INSULATION OUTSIDE DIAMETER : 1.55 ~ 2.6mm
- 製品仕様書及び取り扱いについては、製品仕様書
5056050000PS000、コネクタ取扱説明書 5056050000PSA00,A01
を参照願います。
PLEASE REFER TO PRODUCTS SPECIFICATION
5056050000PS000 AND USER'S MANUAL 5056050000PSA00,A01.
- 圧着仕様書については、5056070000PSC00を参照願います。
PLEASE REFER TO CRIMPING SPECIFICATION
5056070000PSC00.
- 圧着端子の注意事項としてATS-57427-0000を参照
AS ATTENTION AT THE TIME OF CRIMP REFER TO
ATS-57427-0000.



| | | |
|---------------------------------|------------------|-----------|
| POLY BAG | 5056080100 | バラ状 LOOSE |
| REEL | 5056080000 | 連鎖状 CHAIN |
| PACKAGING SPEC. | オーダー番号 ORDER NO. | 形態 FORM |
| CONNECTOR SERIES NO. 5056080*00 | | |

| | | | | | | | | | |
|---|--------|--------------------------------|---------|--------|-----------------|----------|--------------|--|--|
| THIS DRAWING CONTAINS INFORMATION THAT IS PROPRIETARY TO MOLEX ELECTRONIC TECHNOLOGIES, LLC AND SHOULD NOT BE USED WITHOUT WRITTEN PERMISSION | | | | | | | | | |
| DIMENSION UNITS | SCALE | CURRENT REV DESC: | | | | | | | |
| mm | 10:1 | molex | | | | | | | |
| GENERAL TOLERANCES (UNLESS SPECIFIED) | | | | | | | | | |
| ANGULAR TOL | ± 3.0° | CP 3.3 W/W PLUG CRIMP TERMINAL | | | | | | | |
| 4 PLACES | ± 0.2 | | | | | | | | |
| 3 PLACES | ± 0.2 | PRODUCT CUSTOMER DRAWING | | | | | | | |
| 2 PLACES | ± 0.2 | | | | | | | | |
| 1 PLACE | ± 0.2 | DOCUMENT NUMBER: 5056080000 | | | | | | | |
| 0 PLACES | ± 0.2 | | | | | | | | |
| DRAFT WHERE APPLICABLE MUST REMAIN WITHIN DIMENSIONS | | THIRD ANGLE PROJECTION | DRAWING | SERIES | MATERIAL NUMBER | CUSTOMER | SHEET NUMBER | | |
| | | | A3-SIZE | 505608 | | GENERAL | 1 OF 1 | | |