



产品编号 : 50650206

Product Description : 2.54mm Pitch, SL Single Row Wire-to-Wire Panel Mount, 6 Circuits

系列号 : 70018

状态 : Active

Product Category : Connector Accessories

工程编号 : 70018-0005

---

## 文件和资源

### 图纸

图纸 050650206\_sd.pdf

包装设计图 PK-70018-100-001.pdf


### 3D 模型和设计文件

3D模型 050650206\_stp.zip

---

## 产物环境合规

### 合规

GADSL/IMDS	Not Relevant
China RoHS	
EU ELV	Not Relevant
Low-Halogen Status	Not Low-Halogen per IEC 61249-2-21
REACH SVHC	Not Contained per D(2023)8585-DC (23 Jan 2024)
EU RoHS	Compliant per EU 2015/863

### 多部分产品合规性声明

- Eu RoHS
- REACH SVHC
- Low-Halogen
  
- IPC 1752A Class C
- IPC 1752A Class D
- Molex Product Compliance Declaration
- IEC-62474
- chemSHERPA (xml)

### 欧盟 RoHS 合格证书

---

## 产品详情

### 常规

状态	活动
类别	Connector Accessories
系列	70018
说明	2.54mm Pitch, SL Single Row Wire-to-Wire Panel Mount, 6 Circuits
元件类型	Panel Mount
产品系列	SL Modular Connectors
产品名称	SL
UPC	800753629721

### 机构

CSA	LR19980
UL	E29179

### 物理

回路数（已载入）	6
电路数（最多）	6
颜色-树脂	黑色
阻燃性	94V-0
锁定插接部位	是
材料 - 树脂	Polyester
净重	2.795/g
包装形式	Bag

### 进程

无铅	不适用
----	-----

---

### 可连接使用部件

描述	产品编号
SL Single Row Crimp Housings and CPA Retainers	<u>70066</u>

SL Single Row Male Insulation Displacement Connector Assemblies	<u>70475</u>
SL Single Row, Version D, Male FFC/FPC Connectors	<u>70431</u>

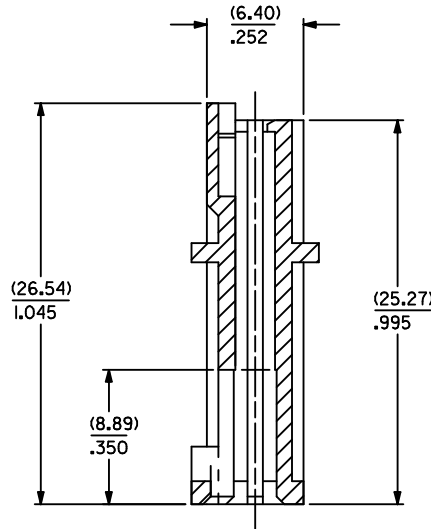
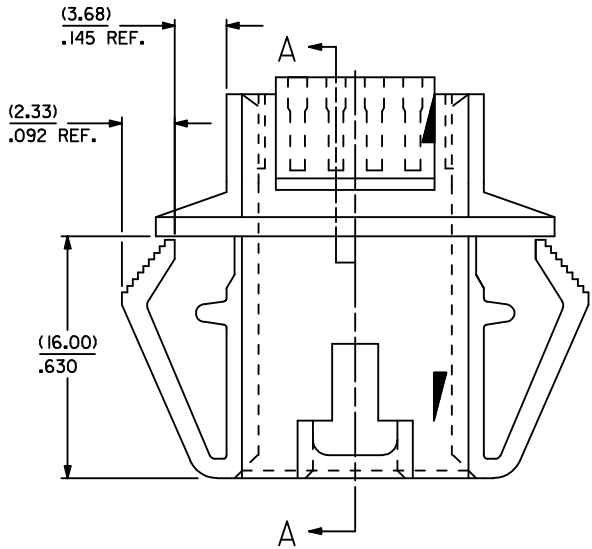
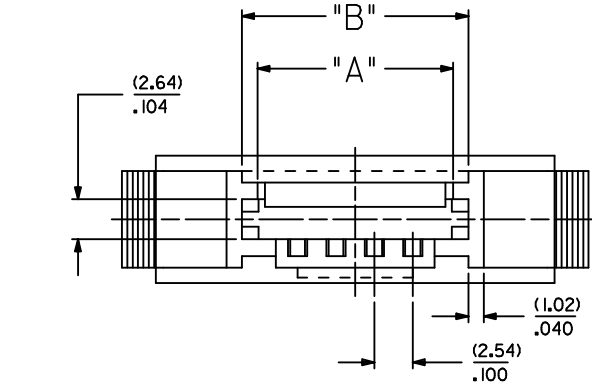
---

This document was generated on Jun 04, 2024

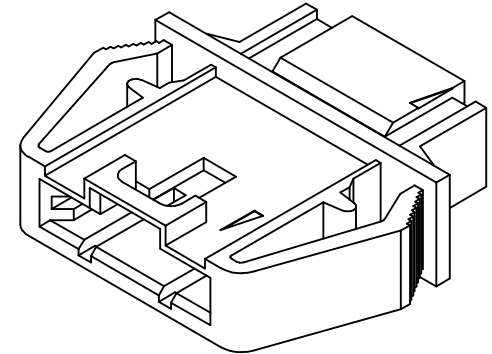
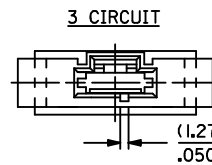
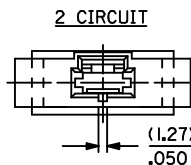
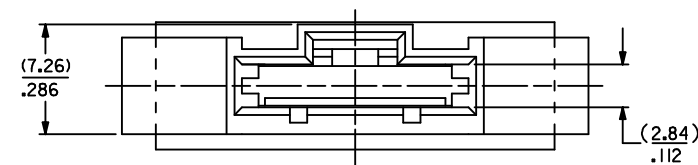
**NOTES :**

- 1) MATERIAL : POLYESTER, 94V-0  
COLOR : BLACK
- 2) SEE CHART FOR CIRCUIT SIZES .
- 3) HOUSING TO BE USED WITH 70400 SERIES HOUSING (OPTION "G" & OPTION "D").
- 4) PANEL THICKNESS (0.81)/.032 - (2.36)/.093
- 5) SEE SHEET 2 FOR MOUNTING HOLE DIMENSIONS .
- 6) PACKAGE PER PK-70018-100.

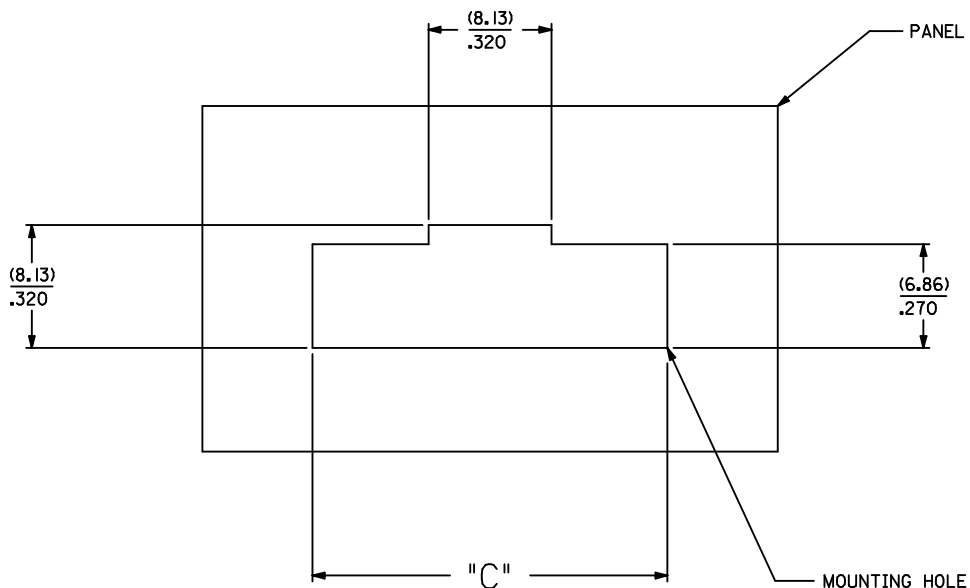
CKT. NO.	EDP. NO.	ENG. NO.	DIM. A	DIM. B
2	50-65-0202	70018-0001	(5.21) .205	(7.37) .290
3	50-65-0203	70018-0002	(7.75) .305	(9.91) .390
4	50-65-0204	70018-0003	(10.29) .405	(12.45) .490
5	50-65-0205	70018-0004	(12.83) .505	(14.99) .590
6	50-65-0206	70018-0005	(15.37) .605	(17.53) .690
7	50-65-0207	70018-0006	(17.91) .705	(20.07) .790
8	50-65-0208	70018-0007	(20.45) .805	(22.61) .890
9	50-65-0209	70018-0008	(22.99) .905	(25.15) .990
10	50-65-0210	70018-0009	(25.53) 1.005	(27.69) 1.090
11	50-65-0211	70018-0010	(28.07) 1.105	(30.23) 1.190
12	50-65-0212	70018-0011	(30.61) 1.205	(32.77) 1.290
13	50-65-0213	70018-0012	(33.15) 1.305	(35.31) 1.390
14	50-65-0214	70018-0013	(35.69) 1.405	(37.89) 1.490
15	50-65-0215	70018-0014	(38.23) 1.505	(40.39) 1.590
16	50-65-0216	70018-0015	(40.77) 1.605	(42.93) 1.690
17	50-65-0217	70018-0016	(43.31) 1.705	(45.47) 1.790
18	50-65-0218	70018-0017	(45.85) 1.805	(48.01) 1.890
19	50-65-0219	70018-0018	(48.39) 1.905	(50.55) 1.990
20	50-65-0220	70018-0019	(50.93) 2.005	(53.09) 2.090
21	50-65-0221	70018-0020	(53.47) 2.105	(55.63) 2.190
22	50-65-0222	70018-0021	(56.01) 2.205	(58.17) 2.290
23	50-65-0223	70018-0022	(58.55) 2.305	(60.71) 2.390
24	50-65-0224	70018-0023	(61.09) 2.405	(63.25) 2.490
25	50-65-0225	70018-0024	(63.63) 2.505	(65.79) 2.590



**SECTION A-A**



REVISE EC NO: UCP2008-0711 DRWNG: MORGAN 2007/10/02 CHKD: M. S. IBARRA 2007/10/09 APPR: S. MILLER 2007/10/10 M	DESCRIPTION 2007/10/10	QUALITY SYMBOLS	GENERAL TOLERANCES (UNLESS SPECIFIED) 4 PLACES ± --- ± --- 3 PLACES ± --- ± .010 2 PLACES ± 0.25 ± .014 1 PLACE ± 0.35 ± --- ANGULAR ± 1/2°	DIMENSION STYLE	SCALE	DESIGN UNITS	THIRD ANGLE PROJECTION
		▼ = 0 ▽ = 0		MM/IN	INCH	INCH	
		DRAWN BY ME CHECKED BY WZ APPROVED BY RL		DATE	DATE	DATE	
		MATERIAL NO. SEE CHART SIZE C		DATE	DATE	DATE	
DRAFT WHERE APPLICABLE MUST REMAIN WITHIN DIMENSIONS			TITLE HOUSING PANEL MOUNT (OPTION "G" HOUSING TO OPTION "D" HOUSING)		MOLEX INCORPORATED		SHEET NO. 1 OF 2
THIS DRAWING CONTAINS INFORMATION THAT IS PROPRIETARY TO MOLEX INCORPORATED AND SHOULD NOT BE USED WITHOUT WRITTEN PERMISSION							



RECOMMENDED MOUNTING HOLE LAYOUT

CKT. NO.	EDP. NO.	ENG. NO.	DIM. C
2	50-65-0202	700 18-0001	(15.87) .625
3	50-65-0203	700 18-0002	(18.41) .725
4	50-65-0204	700 18-0003	(20.95) .825
5	50-65-0205	700 18-0004	(23.49) .925
6	50-65-0206	700 18-0005	(26.03) 1.025
7	50-65-0207	700 18-0006	(28.57) 1.125
8	50-65-0208	700 18-0007	(31.11) 1.225
9	50-65-0209	700 18-0008	(33.65) 1.325
10	50-65-0210	700 18-0009	(36.19) 1.425
11	50-65-0211	700 18-0010	(38.73) 1.525
12	50-65-0212	700 18-0011	(41.27) 1.625
13	50-65-0213	700 18-0012	(43.81) 1.725
14	50-65-0214	700 18-0013	(46.35) 1.825
15	50-65-0215	700 18-0014	(48.89) 1.925
16	50-65-0216	700 18-0015	(51.43) 2.025
17	50-65-0217	700 18-0016	(53.97) 2.125
18	50-65-0218	700 18-0017	(56.51) 2.225
19	50-65-0219	700 18-0018	(59.05) 2.325
20	50-65-0220	700 18-0019	(61.59) 2.425
21	50-65-0221	700 18-0020	(64.13) 2.525
22	50-65-0222	700 18-0021	(66.67) 2.625
23	50-65-0223	700 18-0022	(69.21) 2.725
24	50-65-0224	700 18-0023	(71.75) 2.825
25	50-65-0225	700 18-0024	(74.29) 2.925

<b>REVISE</b> EC NO: UCP2008-0711 DRWN:DMORGAN 2007/10/02 CHKD:MSIBARRA 2007/10/09 APPR:SMILLER 2007/10/10 M	<b>QUALITY SYMBOLS</b> ▽=0 ▽=0	<b>GENERAL TOLERANCES (UNLESS SPECIFIED)</b>		<b>DIMENSION STYLE</b> MM/IN	<b>SCALE</b> 4:1	<b>DESIGN UNITS</b> INCH	THIRD ANGLE PROJECTION
		4 PLACES ± --- ± --- 3 PLACES ± --- ± .010 2 PLACES ± 0.25 ± .014 1 PLACE ± 0.35 ± ---	DRAWN BY ME 1984/04/10	DATE 1984/04/10	<b>TITLE</b> HOUSING PANEL MOUNT (OPTION "G" HOUSING TO OPTION "D" HOUSING)		
		ANGULAR ± 1/2°	CHECKED BY WZ 1984/04/10	DATE 1984/04/10	<b>MOLEX INCORPORATED</b>		
		DRAFT WHERE APPLICABLE MUST REMAIN WITHIN DIMENSIONS	APPROVED BY RL 1984/04/10	DATE 1984/04/10	<b>SEE CHART</b>	DOCUMENT NO. SD-70018-0001-0024	SHEET NO. 2 OF 2

THIS DRAWING CONTAINS INFORMATION THAT IS PROPRIETARY TO MOLEX INCORPORATED AND SHOULD NOT BE USED WITHOUT WRITTEN PERMISSION