



产品编号 : [507528400](#)

Product Description : 2.50mm Pitch, Mini-Lock Female Crimp Terminal, Matte Tin Plating, 24-26 AWG, Reel

系列号 : 50752

状态 : Active

Product Category : Crimp Terminals



文件和资源

图纸

[图纸 507528400_sd.pdf](#)

3D 模型和设计文件

[3D模型 507528400_stp.zip](#)

规格

[包装规格 507529200-SPK-200.pdf](#)

[产品规格 511630000-PS-000.pdf](#)


[产品规格 511631000-PS-000.pdf](#)

模具规格

[压接规格 507520000-CS-000.pdf](#)

产物环境合规

合规

GADSL/IMDS	Compliant with Exemption 44
China RoHS	
EU ELV	Not Relevant
Low-Halogen Status	Low-Halogen per IEC 61249-2-21
REACH SVHC	Not Contained per D(2023)3788-DC (14 Jun 2023)
EU RoHS	Compliant per EU 2015/863

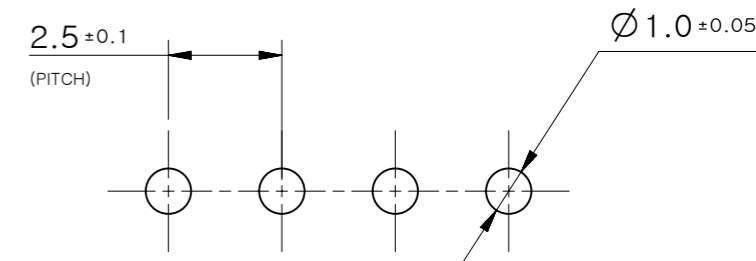
多部分产品合规性声明

- Eu RoHS
- REACH SVHC
- Low-Halogen

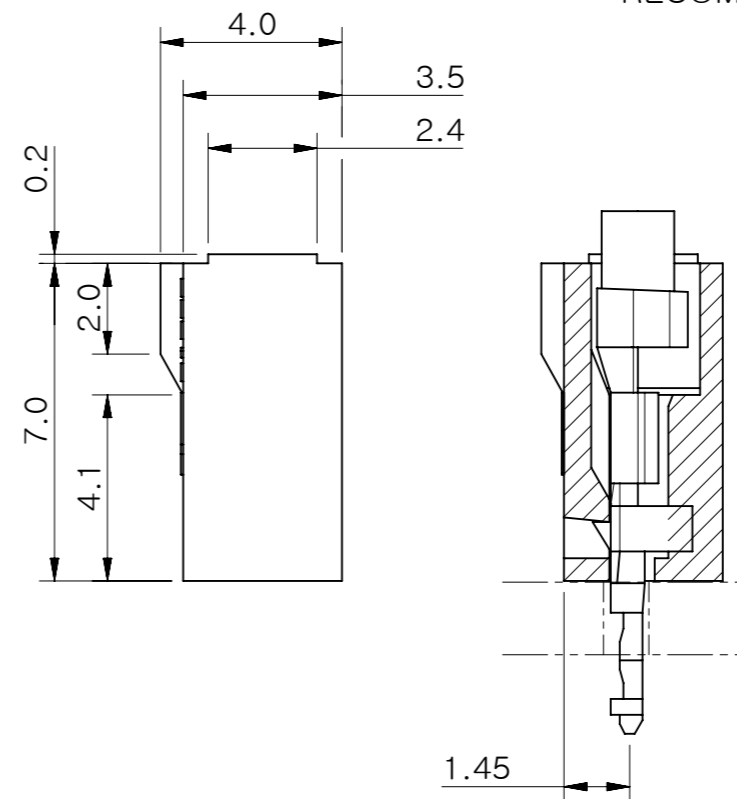
NOTES.

1. APPLICABLE TERMINAL : 500978*00
2. TRADE MARK IS FORMED BY MXJ AND BY 1-2 DIGIT NUMBER (TO CAVITY NO.) AND BY 1 LETTER OD ALPHABET (TO MOLD NO.)
3. ELV AND RoHS COMPLIANT

(NON-ACCUMULATIVE)

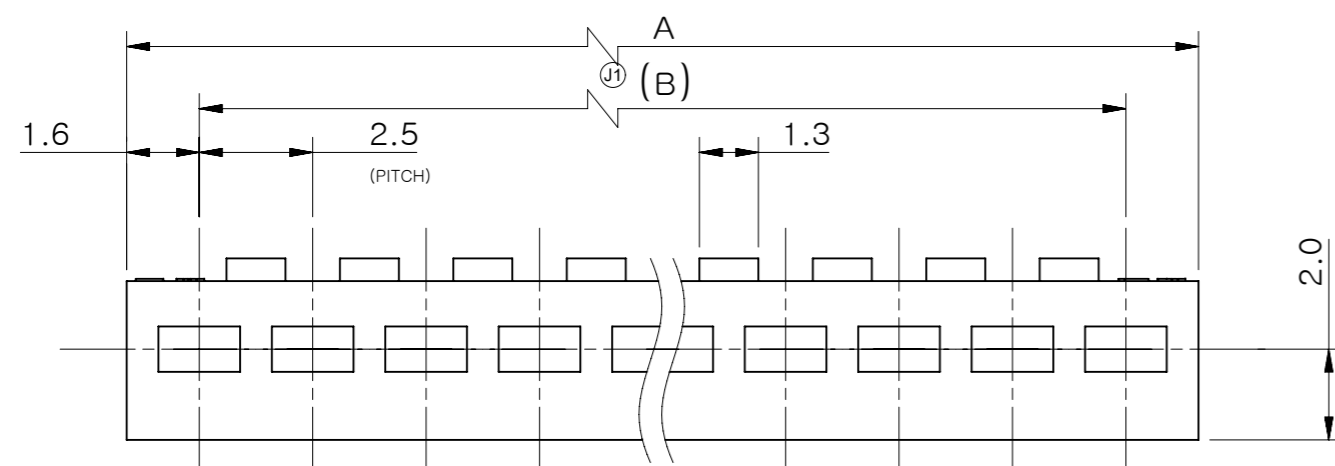
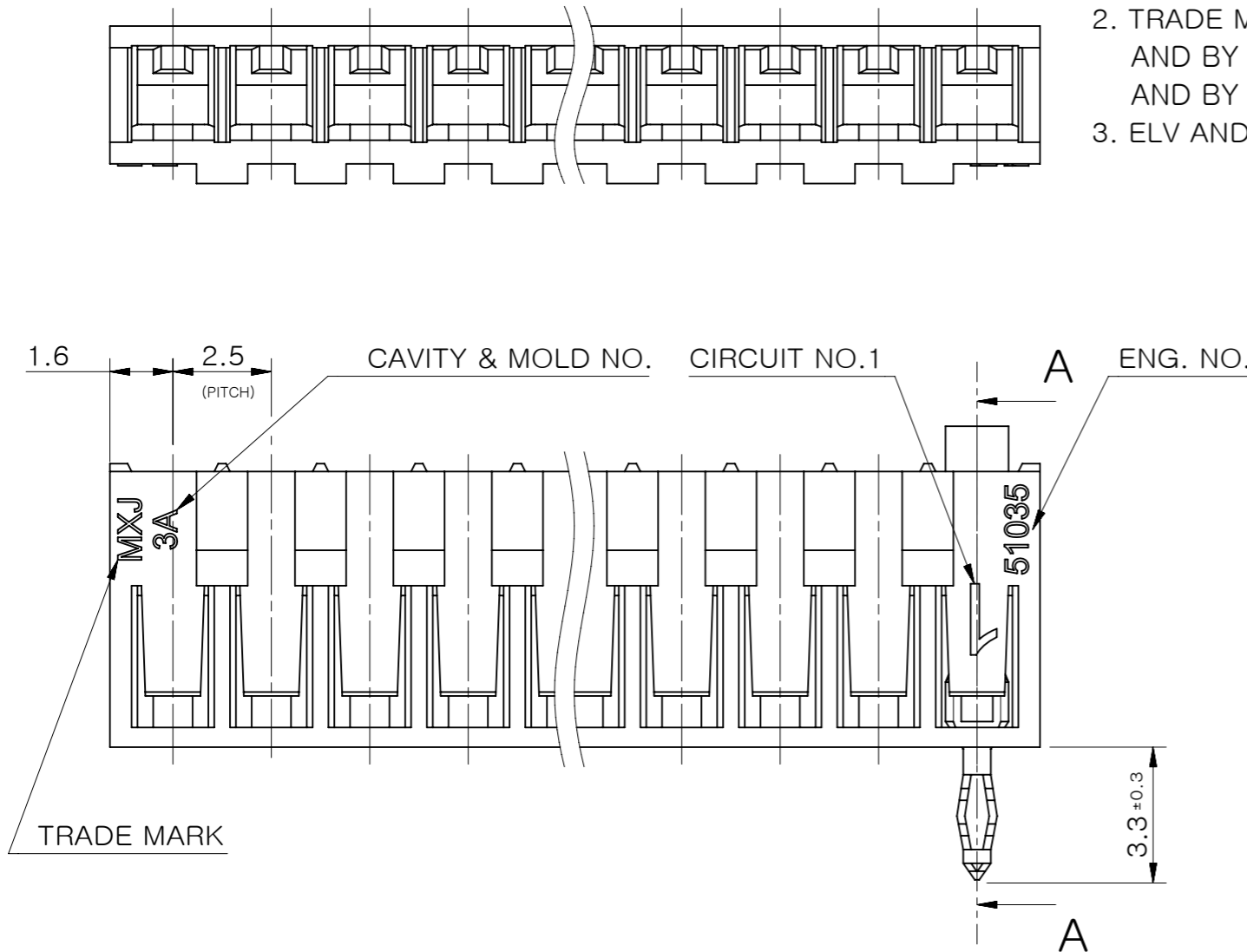


RECOMMENDED PC BOARD HOLE DIMENSION
(THICKNESS : 1.6mm)



SECTION A-A

27.5	30.7	510351200	12
25.0	28.2	510351100	11
22.5	25.7	510351000	10
20.0	23.2	510350900	9
17.5	20.7	510350800	8
15.0	18.2	510350700	7
12.5	15.7	510350600	6
10.0	13.2	510350500	5
7.5	10.7	510350400	4
5.0	8.2	510350300	3
2.5	5.7	510350200	2
B	A	ORDER NO.	CKT.



GENERAL TOLERANCES (UNLESS SPECIFIED)	
10 UNDER	±0.2
10 OVER 30 UNDER	±0.25
30 OVER	±0.3
DRAFT WHERE APPLICABLE MUST REMAIN WITHIN DEMENSIONS	

MATERIAL	POLYAMIDE, UL94V-0
WIRE RANGE	AWG #24 ~ 20 KV 0.2 ~ 0.5 AVS 0.3 ~ 0.5
INS. RANGE	Ø1.3 ~ Ø2.1

FUNCTIONAL SYMBOLS	THIS DRAWING CONTAINS INFORMATION THAT IS PROPRIETARY TO MOLEX ELECTRONIC TECHNOLOGIES, LLC AND SHOULD NOT BE USED WITHOUT WRITTEN PERMISSION
$\nabla_A = 0$ $\nabla_E = 0$ $\nabla_V = 0$	DIMENSION UNITS: mm SCALE: 6:1 GENERAL TOLERANCES (UNLESS SPECIFIED) ANGULAR TOL ± 3.0° EC NO: 704776 DRWN: SUGEEB CHK'D: GGA APPR: GGA INITIAL REVISION: DRWN: RHORI APPR: NUKITA THIRD ANGLE PROJECTION DRAWING: A3-SIZE SERIES: 51035
DIVISIONAL SYMBOLS	CURRENT REV DESC: OBSOLETE PART NUMBER AS PER PCN#509988 2022/03/31 2022/05/24 2022/05/24 2011/05/12 2011/05/16 MATERIAL NUMBER: SEE TABLE CUSTOMER: GENERAL MARKET
2.5 BOARD IN CONN. HOUSING PRODUCT CUSTOMER DRAWING	
DOCUMENT NUMBER	DOC TYPE DOC PART REVISION
SD-51035-001	PSD 001 J2
SHEET NUMBER	1 OF 1

多部分行业合规性文件

- IPC 1752A Class C
- IPC 1752A Class D
- Molex Product Compliance Declaration
- IEC-62474
- chemSHERPA (xml)

欧盟 RoHS 合格证书

产品详情

常规

状态	活动
类别	Crimp Terminals
系列	50752
说明	2.50mm Pitch, Mini-Lock Female Crimp Terminal, Matte Tin Plating, 24-26 AWG, Reel
应用	Signal, Wire-to-Board
产品系列	Mini-Lock Wire-to-Board Connector System
产品名称	Mini-Lock
UPC	191128816724

电气

每触点最大电流	3.5A
电压 - 最大	250V AC (RMS)/DC

物理

耐用性(插拔次数) - 最多次数	30
性别	女
材料 - 金属	Phosphor Bronze
材料 - 接合部位电镀	Matte Tin
材料 - 终端电镀	Matte Tin
净重	61.660/mg
包装形式	Reel
终端界面类型	Crimp or Compression
导线绝缘直径	1.28-1.42mm
线径规格 (AWG)	24, 26

线缆尺寸mm ²	不适用
---------------------	-----

可连接使用部件

描述	产品编号
Mini-Lock Single Row Receptacle Housings	<u>51163</u>

施工工具

全局

描述	产品编号
Hand Crimp Tool for Mini-Lock Crimp Terminals, 24-26 AWG	<u>2002189200</u>
FineAdjust Applicator for Mini-Lock 2.5 Wire-to-Board Receptacle Terminals, 24-26 AWG	<u>2037026700</u>
Extraction Tool for 2.50mm Pitch Mini-Lock Wire-to-Board Female Terminal	<u>0638248400</u>

施工工具

日本

描述	产品编号
S-1 Applicator for 2.50mm Pitch Mini-Lock Wire-to-Board Crimp Terminals, 24-26 AWG	<u>2069623710</u>