



产品编号 : [50841010](#)

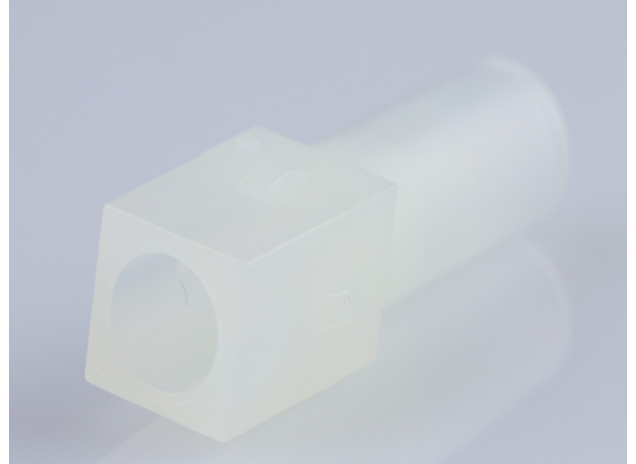
Product Description : 2.13mm Diameter MLX Power Crimp Housing Plug, Nylon 6/6, 94V-2, 1 Circuit, Natural

系列号 : 42021

状态 : Active

Product Category : Connector Housings

工程编号 : 42021-1A



文件和资源

图纸

[图纸 050841010_sd.pdf](#)

[包装设计图 PK-42021-XX-001.pdf](#)

3D 模型和设计文件

[3D模型 050841010_stp.zip](#)


规格

[产品规格 PS-42022-0001-001.pdf](#)

[测试摘要 TS-42022-0001-001.pdf](#)

产物环境合规

合规

GADSL/IMDS	Not Relevant
China RoHS	
EU ELV	Not Relevant
Low-Halogen Status	Low-Halogen per IEC 61249-2-21
REACH SVHC	Not Contained per D(2023)3788-DC (14 Jun 2023)
EU RoHS	Compliant per EU 2015/863

多部分产品合规性声明

- Eu RoHS

- REACH SVHC

- Low-Halogen

多部分行业合规性文件

- IPC 1752A Class C

- IPC 1752A Class D

- Molex Product Compliance Declaration

- IEC-62474

- chemSHERPA (xml)

欧盟 RoHS 合格证书

产品详情

常规

状态	活动
类别	Connector Housings
系列	42021
说明	2.13mm Diameter MLX Power Crimp Housing Plug, Nylon 6/6, 94V-2, 1 Circuit, Natural
应用	Power, Wire-to-Board, Wire-to-Wire
个评论	Glow Wire Equivalent Part Number 366430001; Flammability Rating: 94V-2; Maximum current per contact 20A if used with 36663 and 36664 terminal
产品系列	MLX Power Connectors
产品名称	MLX
UPC	800754385299

机构

CSA	LR19980
UL	E29179

电气

每触点最大电流	13.5A, 20.0A
---------	--------------

物理

电路详图	1
电路数 (最多)	1

颜色-树脂	Natural
阻燃性	94V-2
性别	Plug
符合灼热丝规范	否
插接极性	无
锁定插接部位	是
材料 - 树脂	Nylon
净重	0.801/g
行数	1
包装形式	Bag
面板安装式	否
间距 - 插配接口	不适用
间距 - 终端界面	不适用
有极性的插配件	是
可堆叠的	否
运行温度范围	-55° to +105° C

进程

无铅	不适用
----	-----

可配插/可连接使用的产品

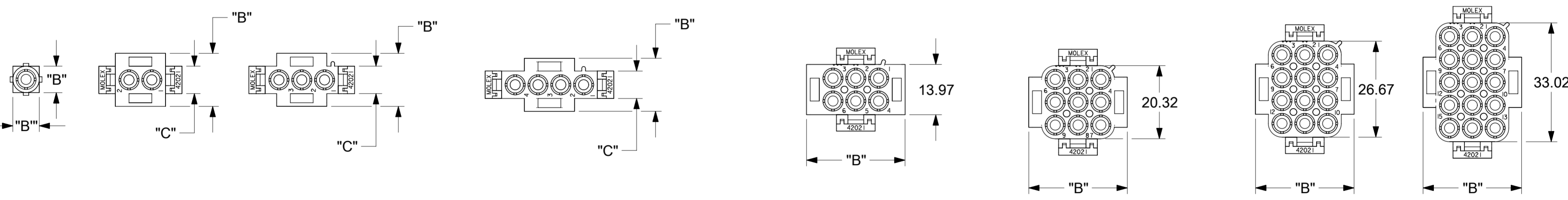
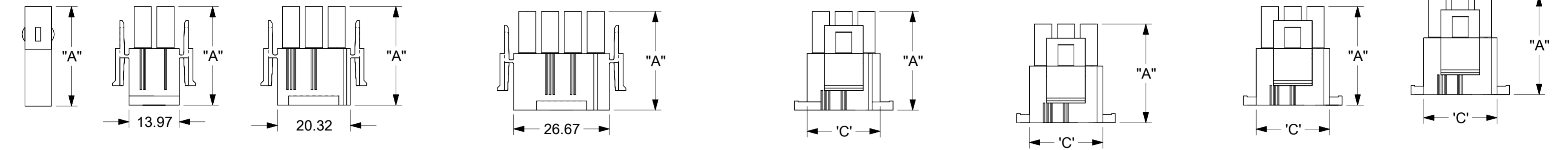
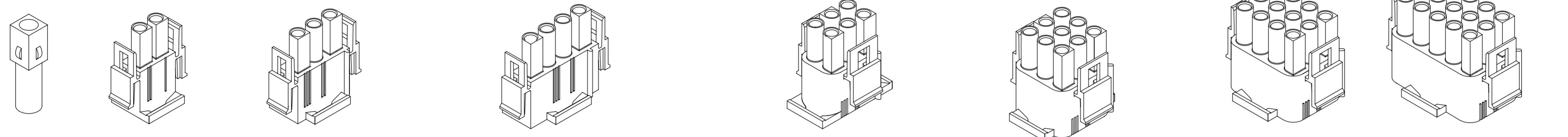
可配插部件

描述	产品编号
6.35mm Pitch MLX Vertical Power Connector Headers	<u>42002</u>
2.13mm Diameter MLX Pin and Socket Receptacles	<u>42022</u>
MLX Vertical Power Connector Headers	<u>43255</u>

可连接使用部件

描述	产品编号
Pre-Crimped Lead MLX Male-to-MLX Male, Tin (Sn) Plating, 150.00mm Length, 18 AWG, Black	<u>/content/molex/molex-dot-com/cn/zh/products/product-page.html/797582029.html</u>

Pre-Crimped Lead MLX Male-to-MLX Male, Tin (Sn) Plating, 300.00mm Length, 18 AWG, Black	/content/molex/molex-dot-com/cn/zh/products/product-page.html/797582030.html
Pre-Crimped Lead MLX Female-to-MLX Female, Tin (Sn) Plating, 150.00mm Length, 18 AWG, Black	/content/molex/molex-dot-com/cn/zh/products/product-page.html/797582031.html
Pre-Crimped Lead MLX Female-to-MLX Female, Tin (Sn) Plating, 300.00mm Length, 18 AWG, Black	/content/molex/molex-dot-com/cn/zh/products/product-page.html/797582032.html
MLX Crimp Terminals	36663
MLX Female Terminals	36664
MLX Male Crimp Terminals	42023
MLX Female Crimp Terminals	42024



THIS DRAWING CONTAINS INFORMATION THAT IS PROPRIETARY TO MOLEX ELECTRONIC TECHNOLOGIES, LLC AND SHOULD NOT BE USED WITHOUT WRITTEN PERMISSION

DIMENSION UNITS		SCALE		CURRENT REV DESC: MIGRATED TO ECTR			
MM		1:1		molex HOUSING, PLUG 2.13 DIA. SERIES PRODUCT CUSTOMER DRAWING			
GENERAL TOLERANCES (UNLESS SPECIFIED)							
	MM	INCH					
4 PLACES	±		±				
3 PLACES	±		± 0.1				
2 PLACES	± 0.25		± 0.14	EC NO: 178202	2018/02/26		
1 PLACE	± 0.36		±	DRWN: RLALSANGI	2018/07/12		
0 PLACES	±		±	CHK'D: NCSR	2018/07/12		
ANGULAR TOL	±	°		APPR: NCSR	2018/07/12		
DRAFT WHERE APPLICABLE MUST REMAIN WITHIN DIMENSIONS		THIRD ANGLE PROJECTION		INITIAL REVISION:			
		DRAWING		DRWN: RK		1987/11/16	
		SERIES		APPR: GWF		1987/11/16	
		A2-SIZE		42021		420210000	
				MATERIAL NUMBER		CUSTOMER	
				SEE TABLE OF SHEET 2		GENERAL MARKET	
				DOCUMENT NUMBER		DOC TYPE DOC PART REVISION	
				420210000		PSD 000 A	
				MATERIAL NUMBER		SHEET NUMBER	
				SEE TABLE OF SHEET 2		1 OF 2	

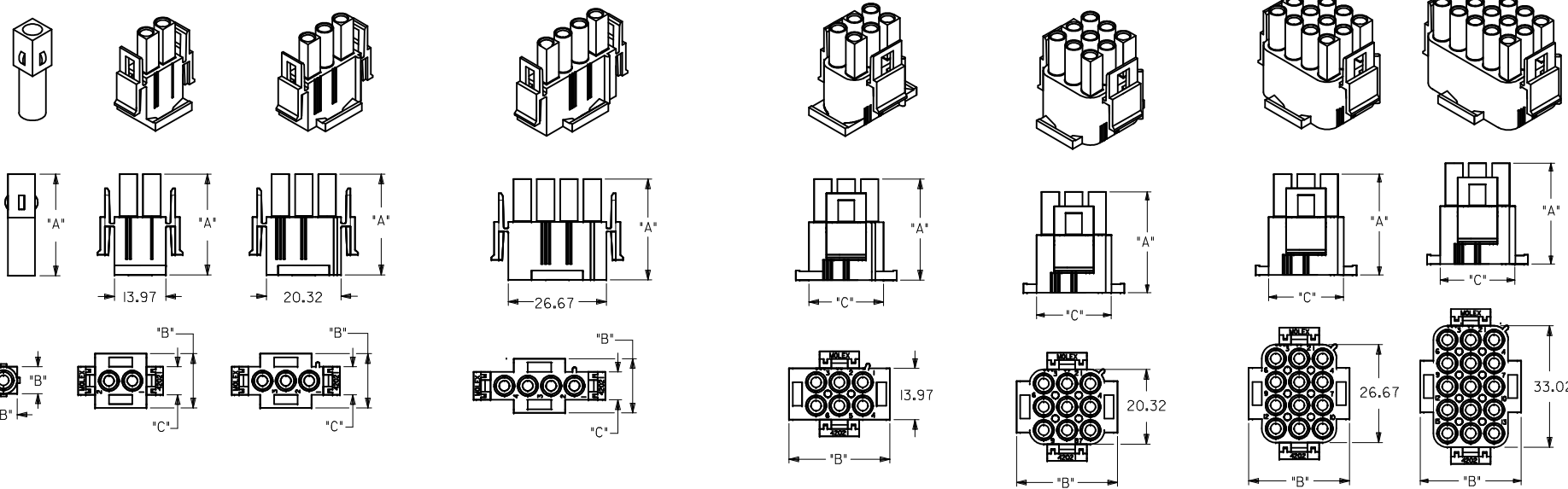
PART NO.	CIRCUIT SIZE	MATERIAL (SEE NOTE 1)	DIM "A"	DIM "B"	DIM "C"
050-84-1010	1	A	27.69	7.37	--
050-84-1015	1	C			
050-84-1020	2	A	27.61	14.73	7.62
050-84-1025	2	C			
050-84-1030	3	A	27.61	14.73	7.62
050-84-1035	3	C			
050-84-1040	4	A	27.61	14.73	7.62
050-84-1045	4	C			
050-84-1060	6	A	27.61	27.43	20.32
050-84-1065	6	C			
050-84-1090	9	A	27.61	27.43	20.32
050-84-1095	9	C			
050-84-1120	12	A	27.61	27.43	20.32
050-84-1125	12	C			
050-84-1150	15	A	27.61	27.43	20.32
050-84-1155	15	C			
366480001	1	D	27.43	7.37	--
366480002	2	D		14.73	7.62
366480003	3	D			
366480004	4	D			
366480005	6	D	27.43	27.43	20.32
366480006	9	D			
366480007	12	D			
366480008	15	D			

NOTES:

- MATERIAL CODES:
 "A"= NYLON TYPE 6/6, 94V-2
 COLOR: NATURAL (WHITE/TRANSLUCENT)
 "C"= NYLON TYPE 6/6, 94V-0
 COLOR: NATURAL (WHITE)
 "D"= NYLON 94V-2
 COLOR: BLACK (ZYTEL 101F)
- UNLESS OTHERWISE INDICATED, DIMENSIONS ARE FOR REFERENCE ONLY.
- PLUG HOUSINGS MATE WITH:
 -CAP HOUSINGS, 2.13 DIA. SERIES: (42022-****)
 -HEADER ASSEMBLY HOUSINGS, 2.13 DIA. SERIES: (A-42002-****)
- HOUSINGS DESIGNED TO BE USED WITH TERMINALS:
 -PINS, 2.13 DIA. SERIES: (42023-****)
 -SOCKETS, 2.13 DIA. SERIES: (42024-****)
- CONTACTS ARE ON 6.35 GRID CENTERLINE SPACING.
- PRODUCT SPECIFICATION PS-42022-0001 APPLIES.
- FOR GLOW WIRE COMPATIBLE PART NUMBERS REFER DOCUMENT NO SD-36643-009.

THIS DRAWING CONTAINS INFORMATION THAT IS PROPRIETARY TO MOLEX ELECTRONIC TECHNOLOGIES, LLC AND SHOULD NOT BE USED WITHOUT WRITTEN PERMISSION									
DIMENSION UNITS		SCALE		CURRENT REV DESC: MIGRATED TO ECTR				molex	
MM		1:1							
GENERAL TOLERANCES (UNLESS SPECIFIED)				EC NO: 178202				HOUSING, PLUG 2.13 DIA. SERIES	
				DRWN: RLALSANGI 2018/02/26					
4 PLACES ±				CHK'D: NCSR 2018/07/12				PRODUCT CUSTOMER DRAWING	
3 PLACES ±				APPR: NCSR 2018/07/12					
2 PLACES ± 0.25				INITIAL REVISION:				DOCUMENT NUMBER	
1 PLACE ± 0.36				DRWN: RK 1987/11/16					
0 PLACES ±				APPR: GWF 1987/11/16				420210000	
ANGULAR TOL ± °				THIRD ANGLE PROJECTION		DRAWING		SERIES	
DRAFT WHERE APPLICABLE MUST REMAIN WITHIN DIMENSIONS						A2-SIZE		42021	
MATERIAL NUMBER		CUSTOMER		SHEET NUMBER		DOC TYPE		DOC PART	
SEE TABLE OF SHEET 2		GENERAL MARKET		2 OF 2		PSD		000	

13 12 11 10 9 8 7 6 5 4 3 2 1



VIEWS UPDATED EC NO: 12018-0003 DRWN:GES CHKD:SNAGARAVENKA APPR:KPRASAD 2017/08/03 2017/09/07	QUALITY SYMBOLS ∇=0 ∇=0 ∇=0	GENERAL TOLERANCES (UNLESS SPECIFIED)		DIMENSION STYLE MM ONLY		SCALE 1:1	DESIGN UNITS METRIC	THIRD ANGLE PROJECTION		
				DRAWN BY RK	DATE 87/11/16	TITLE HOUSING, PLUG 2.13 DIA. SERIES				
				CHECKED BY GWF	DATE 87/11/16					
				APPROVED BY GWF	DATE 87/11/16					
		ANGULAR ±---°		MATERIAL NO. SEE SHEET 2		DOCUMENT NO. SD-42021-**		SHEET NO. 1 OF 2		
		DRAFT WHERE APPLICABLE MUST REMAIN WITHIN DIMENSIONS		THIS DRAWING CONTAINS INFORMATION THAT IS PROPRIETARY TO MOLEX INCORPORATED AND SHOULD NOT BE USED WITHOUT WRITTEN PERMISSION						

12 11 10 9 8 7 6 5 4 3 2 1

PART NO.	CIRCUIT SIZE	MATERIAL (SEE NOTE 1)	DIM "A"	DIM "B"	DIM "C"
050-84-1010	1	A	27.69	7.37	----
050-84-1015	1	C			
050-84-1020	2	A	27.61	14.73	7.62
050-84-1025	2	C			
050-84-1030	3	A	27.61	14.73	7.62
050-84-1035	3	C			
050-84-1040	4	A	27.61	14.73	7.62
050-84-1045	4	C			
050-84-1060	6	A	27.61	27.43	20.32
050-84-1065	6	C			
050-84-1090	9	A	27.61	27.43	20.32
050-84-1095	9	C			
050-84-1120	12	A	27.61	27.43	20.32
050-84-1125	12	C			
050-84-1150	15	A	27.61	27.43	20.32
050-84-1155	15	C			
366480001	1	D	27.43	7.37	----
366480002	2	D		14.73	7.62
366480003	3	D	27.43		
366480004	4	D			
366480005	6	D			
366480006	9	D			
366480007	12	D			
366480008	15	D			

NOTES:

- 1) MATERIAL CODES:
 A= NYLON TYPE 6/6, 94V-2
 COLOR: NATURAL (WHITE/TRANSLUCENT)
 C= NYLON TYPE 6/6, 94V-0
 COLOR: NATURAL (WHITE)
 D= NYLON, 94V-2
 COLOR: BLACK (ZYTEL 101F)
- 2) UNLESS OTHERWISE INDICATED, DIMENSIONS ARE FOR REFERENCE ONLY.
- 3) PLUG HOUSINGS MATE WITH :
 - CAP HOUSINGS, 2.13 DIA. SERIES: (42022-**)

 - HEADER ASSEMBLY HOUSINGS,
 2.13 DIA. SERIES: (A-42002-****)
- 4) HOUSINGS DESIGNED TO BE USED WITH TERMINALS :
 - PINS, 2.13 DIA. SERIES: (42023-****)
 - SOCKETS, 2.13 DIA. SERIES: (42024-****)
- 5) CONTACTS ARE ON 6.35 GRID CENTERLINE SPACING.
- 6) PRODUCT SPECIFICATION PS-42022-0001 APPLIES.
- 7) FOR GLOW EIRE COMPATIBLE PART NUMBERS REFER DOCUMENT NO SD-36643-009.

SEE SHEET 1 EC NO: I2018-0003 DRWN:GES 2017/08/03 CHKD:SWAGRAVENK42017/08/03 APPR:KPRASAD 2017/09/07	QUALITY SYMBOLS	GENERAL TOLERANCES (UNLESS SPECIFIED)		DIMENSION STYLE MM ONLY	SCALE 1:1	DESIGN UNITS METRIC	THIRD ANGLE PROJECTION
	▽=0	4 PLACES ± ---	± ---	mm	DRAWN BY RK	DATE 87/11/16	TITLE HOUSING, PLUG 2.13 DIA. SERIES
	▽=0	3 PLACES ± ---	± .010	INCH	CHECKED BY GWF	DATE 87/11/16	
	▽=0	2 PLACES ± 0.25	± 0.14		APPROVED BY GWF	DATE 87/11/16	
		1 PLACE ± 0.36	± ---		MATERIAL NO.	DOCUMENT NO.	
		0 PLACE ±	±		SEE TABLE		
		ANGULAR ± ---°		SIZE A 2		THIS DRAWING CONTAINS INFORMATION THAT IS PROPRIETARY TO MOLEX INCORPORATED AND SHOULD NOT BE USED WITHOUT WRITTEN PERMISSION	
		DRAFT WHERE APPLICABLE MUST REMAIN WITHIN DIMENSIONS		SHEET NO. 2 OF 2		SD-42021-**	