



产品编号 : 50841020

系列号 : 42021

Product Category : Connector Housings

Product Description : 2.13mm Diameter MLX Power Crimp Housing Plug, 2 Circuits, Natural

状态 : Active

工程编号 : 42021-2A

---

## 文件和资源

### 图纸

图纸 050841020\_sd.pdf

包装设计图 PK-42021-XX-001.pdf

### 3D 模型和设计文件

3D模型 050841020\_stp.zip

### 规格


产品规格 PS-42022-0001-001.pdf

测试摘要 TS-42022-0001-001.pdf

---

## 产物环境合规

### 合规

GADSL/IMDS	Not Relevant
China RoHS	
EU ELV	Not Relevant
Low-Halogen Status	Low-Halogen per IEC 61249-2-21
REACH SVHC	Not Contained per D(2023)8585-DC (23 Jan 2024)
EU RoHS	Compliant per EU 2015/863

### 多部分产品合规性声明

- Eu RoHS
- REACH SVHC
- Low-Halogen
  
- IPC 1752A Class C
- IPC 1752A Class D
- Molex Product Compliance Declaration
- IEC-62474

## 产品详情

### 常规

状态	活动
类别	Connector Housings
系列	42021
说明	2.13mm Diameter MLX Power Crimp Housing Plug, 2 Circuits, Natural
应用	Power, Wire-to-Board, Wire-to-Wire
个评论	Glow Wire Equivalent Part Number 366430002; Maximum current per contact 20A if used with 36663 and 36664 terminal
产品系列	MLX Power Connectors
产品名称	MLX
UPC	800753577503

### 机构

CSA	LR19980
UL	E29179

### 物理

电路详图	2
电路数 (最多)	2
颜色-树脂	Natural
阻燃性	94V-2
性别	Plug
符合灼热丝规范	否
插接极性	无
锁定插接部位	是
材料 - 树脂	Nylon
净重	1.960/g
行数	1
包装形式	Bag

面板安装式	否
间距 - 插配接口	6.35mm
有极性的插配件	是
可堆叠的	否
运行温度范围	-55° to +105° C

## 进程

无铅	不适用
----	-----

## 可配插/可连接使用的产品

### 可配插部件

描述	产品编号
6.35mm Pitch MLX Vertical Power Connector Headers	<u>42002</u>
2.13mm Diameter MLX Pin and Socket Receptacles	<u>42022</u>
MLX Vertical Power Connector Headers	<u>43255</u>

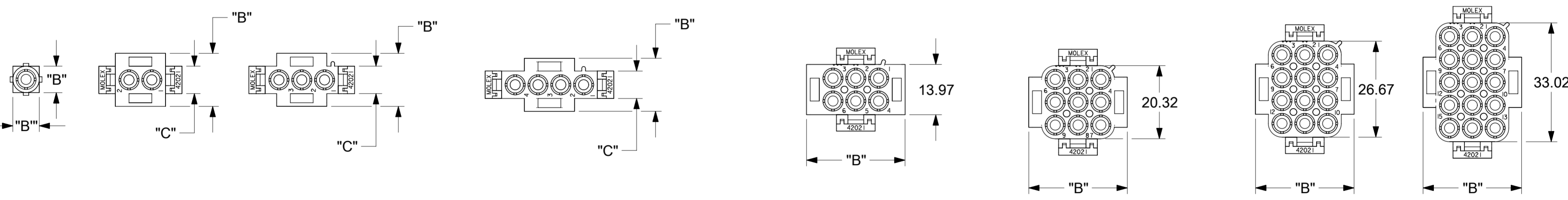
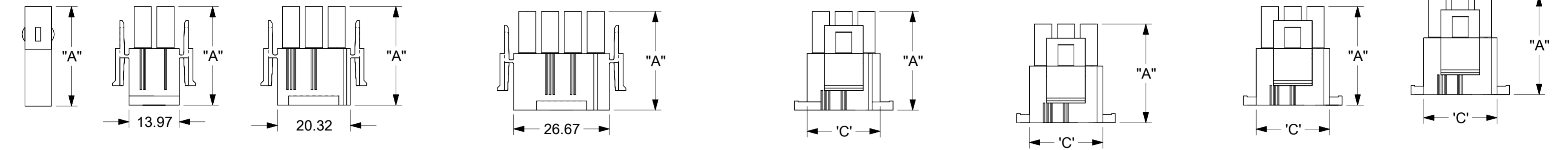
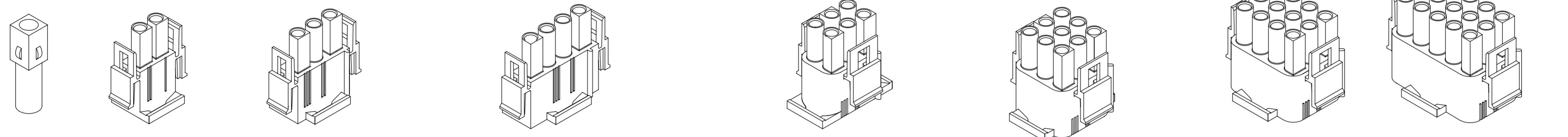
### 可连接使用部件

描述	产品编号
Pre-Crimped Lead MLX Male-to-MLX Male, Tin (Sn) Plating, 150.00mm Length, 18 AWG, Black	<a href="/content/molex/molex-dot-com/cn/zh/products/product-page.html/797582029.html">/content/molex/molex-dot-com/cn/zh/products/product-page.html/797582029.html</a>
Pre-Crimped Lead MLX Male-to-MLX Male, Tin (Sn) Plating, 300.00mm Length, 18 AWG, Black	<a href="/content/molex/molex-dot-com/cn/zh/products/product-page.html/797582030.html">/content/molex/molex-dot-com/cn/zh/products/product-page.html/797582030.html</a>
Pre-Crimped Lead MLX Female-to-MLX Female, Tin (Sn) Plating, 150.00mm Length, 18 AWG, Black	<a href="/content/molex/molex-dot-com/cn/zh/products/product-page.html/797582031.html">/content/molex/molex-dot-com/cn/zh/products/product-page.html/797582031.html</a>
Pre-Crimped Lead MLX Female-to-MLX Female, Tin (Sn) Plating, 300.00mm Length, 18 AWG, Black	<a href="/content/molex/molex-dot-com/cn/zh/products/product-page.html/797582032.html">/content/molex/molex-dot-com/cn/zh/products/product-page.html/797582032.html</a>
MLX Crimp Terminals	<u>36663</u>
MLX Female Terminals	<u>36664</u>
MLX Male Crimp Terminals	<u>42023</u>
MLX Female Crimp Terminals	<u>42024</u>

---

---

This document was generated on Jun 30, 2024



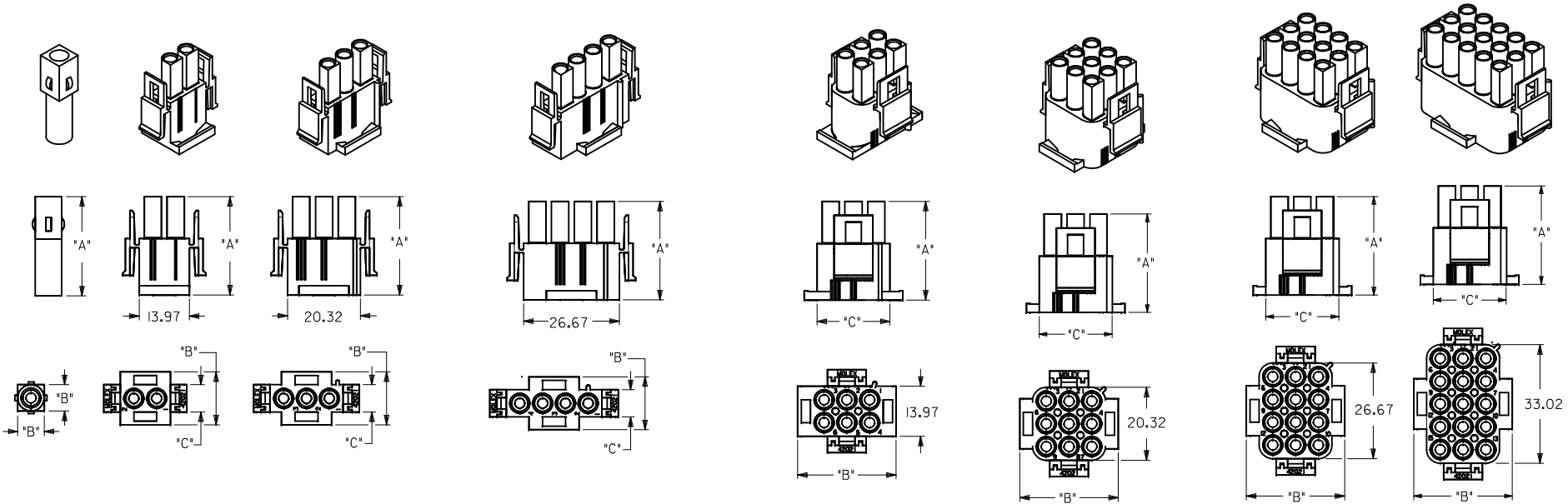
THIS DRAWING CONTAINS INFORMATION THAT IS PROPRIETARY TO MOLEX ELECTRONIC TECHNOLOGIES, LLC AND SHOULD NOT BE USED WITHOUT WRITTEN PERMISSION									
DIMENSION UNITS		SCALE		CURRENT REV DESC: MIGRATED TO ECTR					
MM		1:1		<b>molex</b> HOUSING, PLUG 2.13 DIA. SERIES PRODUCT CUSTOMER DRAWING					
GENERAL TOLERANCES (UNLESS SPECIFIED)									
	MM	INCH							
4 PLACES	±		±						
3 PLACES	±		± 0.1						
2 PLACES	± 0.25		± 0.14						
1 PLACE	± 0.36		±						
0 PLACES	±		±						
ANGULAR TOL		± °		INITIAL REVISION:					
DRAFT WHERE APPLICABLE MUST REMAIN WITHIN DIMENSIONS		THIRD ANGLE PROJECTION		DRAWING		SERIES		MATERIAL NUMBER	
				A2-SIZE		42021		SEE TABLE OF SHEET 2	
EC NO: 178202		DRWN: RLALSANGI		2018/02/26		DOC TYPE		DOC PART	
CHK'D: NCSR		2018/07/12		APPR: NCSR		2018/07/12		REVISION	
APPR: NCSR		2018/07/12		DRWN: RK		1987/11/16		1 A	
APPR: GWF		1987/11/16		SERIES		CUSTOMER		SHEET NUMBER	
				42021		GENERAL MARKET		1 OF 2	

PART NO.	CIRCUIT SIZE	MATERIAL (SEE NOTE 1)	DIM "A"	DIM "B"	DIM "C"
050-84-1010	1	A	27.69	7.37	--
050-84-1015	1	C			
050-84-1020	2	A	27.61	14.73	7.62
050-84-1025	2	C			
050-84-1030	3	A	27.61	14.73	7.62
050-84-1035	3	C			
050-84-1040	4	A	27.61	14.73	7.62
050-84-1045	4	C			
050-84-1060	6	A	27.61	27.43	20.32
050-84-1065	6	C			
050-84-1090	9	A	27.61	27.43	20.32
050-84-1095	9	C			
050-84-1120	12	A	27.61	27.43	20.32
050-84-1125	12	C			
050-84-1150	15	A	27.61	27.43	20.32
050-84-1155	15	C			
366480001	1	D	27.43	7.37	--
366480002	2	D		14.73	7.62
366480003	3	D			
366480004	4	D			
366480005	6	D	27.43	27.43	20.32
366480006	9	D			
366480007	12	D			
366480008	15	D			

**NOTES:**

- 1) MATERIAL CODES:  
 "A"= NYLON TYPE 6/6, 94V-2  
 COLOR: NATURAL (WHITE/TRANSLUCENT)  
 "C"= NYLON TYPE 6/6, 94V-0  
 COLOR: NATURAL (WHITE)  
 "D"= NYLON 94V-2  
 COLOR: BLACK (ZYTEL 101F)
- 2) UNLESS OTHERWISE INDICATED, DIMENSIONS ARE FOR REFERENCE ONLY.
- 3) PLUG HOUSINGS MATE WITH:  
 -CAP HOUSINGS, 2.13 DIA. SERIES: (42022-\*\*\*\*)  
 -HEADER ASSEMBLY HOUSINGS, 2.13 DIA. SERIES: (A-42002-\*\*\*\*)
- 4) HOUSINGS DESIGNED TO BE USED WITH TERMINALS:  
 -PINS, 2.13 DIA. SERIES: (42023-\*\*\*\*)  
 -SOCKETS, 2.13 DIA. SERIES: (42024-\*\*\*\*)
- 5) CONTACTS ARE ON 6.35 GRID CENTERLINE SPACING.
- 6) PRODUCT SPECIFICATION PS-42022-0001 APPLIES.
- 7) FOR GLOW WIRE COMPATIBLE PART NUMBERS REFER DOCUMENT NO SD-36643-009.

THIS DRAWING CONTAINS INFORMATION THAT IS PROPRIETARY TO MOLEX ELECTRONIC TECHNOLOGIES, LLC AND SHOULD NOT BE USED WITHOUT WRITTEN PERMISSION									
DIMENSION UNITS		SCALE		CURRENT REV DESC: MIGRATED TO ECTR				<b>molex</b>	
MM		1:1							
GENERAL TOLERANCES (UNLESS SPECIFIED)				EC NO: 178202				HOUSING, PLUG 2.13 DIA. SERIES	
				DRWN: RLALSANGI 2018/02/26					
4 PLACES ±				CHK'D: NCSR 2018/07/12				PRODUCT CUSTOMER DRAWING	
3 PLACES ±				APPR: NCSR 2018/07/12					
2 PLACES ± 0.25				INITIAL REVISION:				DOCUMENT NUMBER	
1 PLACE ± 0.36				DRWN: RK 1987/11/16					
0 PLACES ±				APPR: GWF 1987/11/16				420210000	
ANGULAR TOL ± °				THIRD ANGLE PROJECTION		DRAWING		DOC TYPE	
DRAFT WHERE APPLICABLE MUST REMAIN WITHIN DIMENSIONS						A2-SIZE		PSD	
				SERIES		MATERIAL NUMBER		DOC PART	
				42021		SEE TABLE OF SHEET 2		000	
						CUSTOMER		REVISION	
						GENERAL MARKET		A	
								SHEET NUMBER	
								2 OF 2	



<b>VIEWS UPDATED</b> EC NO: 12018-0003 DRWN:GES CHKD:SNAGARAVENK4 APPR:KPRASAD 2017/08/03 2017/09/07	QUALITY SYMBOLS ∇=0 ∇=0 ∇=0	GENERAL TOLERANCES (UNLESS SPECIFIED)		DIMENSION STYLE <b>MM ONLY</b>	SCALE <b>1:1</b>	DESIGN UNITS <b>METRIC</b>	THIRD ANGLE PROJECTION	
		4 PLACES ± --- ± ---	mm INCH	DRAWN BY RK	DATE 87/11/16	TITLE <b>HOUSING, PLUG                  2.13 DIA. SERIES</b>		
		3 PLACES ± --- ± .010		CHECKED BY GWF	DATE 87/11/16	<b>molex</b>		
		2 PLACES ± 0.25 ± 0.14		APPROVED BY GWF	DATE 87/11/16			
1 PLACE ± 0.36 ± ---		ANGULAR ± --- °		THIS DRAWING CONTAINS INFORMATION THAT IS PROPRIETARY TO MOLEX INCORPORATED AND SHOULD NOT BE USED WITHOUT WRITTEN PERMISSION				
0 PLACE ± ±		DRAFT WHERE APPLICABLE MUST REMAIN WITHIN DIMENSIONS						

PART NO.	CIRCUIT SIZE	MATERIAL (SEE NOTE 1)	DIM "A"	DIM "B"	DIM "C"
050-84-1010	1	A	27.69	7.37	----
050-84-1015	1	C			
050-84-1020	2	A	27.61	14.73	7.62
050-84-1025	2	C			
050-84-1030	3	A	27.61	14.73	7.62
050-84-1035	3	C			
050-84-1040	4	A	27.61	14.73	7.62
050-84-1045	4	C			
050-84-1060	6	A	27.61	27.43	20.32
050-84-1065	6	C			
050-84-1090	9	A	27.61	27.43	20.32
050-84-1095	9	C			
050-84-1120	12	A	27.61	27.43	20.32
050-84-1125	12	C			
050-84-1150	15	A	27.61	27.43	20.32
050-84-1155	15	C			
366480001	1	D	27.43	7.37	----
366480002	2	D		14.73	7.62
366480003	3	D	27.43		
366480004	4	D			
366480005	6	D			
366480006	9	D			
366480007	12	D			
366480008	15	D			

**NOTES:**

- 1) MATERIAL CODES:  
 \*A\*= NYLON TYPE 6/6, 94V-2  
 COLOR: NATURAL (WHITE/TRANSLUCENT)  
 \*C\*= NYLON TYPE 6/6, 94V-0  
 COLOR: NATURAL (WHITE)  
 \*D\*= NYLON, 94V-2  
 COLOR: BLACK (ZYTEL 101F)
- 2) UNLESS OTHERWISE INDICATED, DIMENSIONS ARE FOR REFERENCE ONLY.
- 3) PLUG HOUSINGS MATE WITH :  
 - CAP HOUSINGS, 2.13 DIA. SERIES: (42022-\*\*)
   
- HEADER ASSEMBLY HOUSINGS,  
 2.13 DIA. SERIES: (A-42002-\*\*\*\*)
- 4) HOUSINGS DESIGNED TO BE USED WITH TERMINALS :  
 - PINS, 2.13 DIA. SERIES: (42023-\*\*\*\*)  
 - SOCKETS, 2.13 DIA. SERIES: (42024-\*\*\*\*)
- 5) CONTACTS ARE ON 6.35 GRID CENTERLINE SPACING.
- 6) PRODUCT SPECIFICATION PS-42022-0001 APPLIES.
- 7) FOR GLOW EIRE COMPATIBLE PART NUMBERS REFER DOCUMENT NO SD-36643-009.

SEE SHEET 1 EC NO: 12018-0003 DRWN:GES 2017/08/03 CHKD:SNAGARVENK42017/08/03 APPR:KPRASAD 2017/09/07	QUALITY SYMBOLS	GENERAL TOLERANCES (UNLESS SPECIFIED)		DIMENSION STYLE <b>MM ONLY</b>		SCALE 1:1	DESIGN UNITS METRIC	THIRD ANGLE PROJECTION
	▽=0	4 PLACES ± ---	± ---	mm	INCH	DRAWN BY RK	DATE 87/11/16	TITLE HOUSING, PLUG 2.13 DIA. SERIES
	▽=0	3 PLACES ± ---	± .010			CHECKED BY GWF	DATE 87/11/16	
	▽=0	2 PLACES ± 0.25	± 0.14			APPROVED BY GWF	DATE 87/11/16	
		1 PLACE ± 0.36	± ---			MATERIAL NO.	DOCUMENT NO.	
		0 PLACE ±	±			<b>SEE TABLE</b> SD-42021-**		SHEET NO. 2 OF 2
		ANGULAR ± ---°		DRAFT WHERE APPLICABLE MUST REMAIN WITHIN DIMENSIONS				
		THIS DRAWING CONTAINS INFORMATION THAT IS PROPRIETARY TO MOLEX INCORPORATED AND SHOULD NOT BE USED WITHOUT WRITTEN PERMISSION						