



产品编号 : 50841025

系列号 : 42021

Product Category : Connector Housings

Product Description : 2.13mm Diameter MLX Power Crimp Housing Plug, 2 Circuits, Natural

状态 : Active

工程编号 : 42021-2C

文件和资源

图纸

图纸 050841025_sd.pdf

包装设计图 PK-42021-XX-001.pdf

3D 模型和设计文件

3D模型 050841025_stp.zip


规格

产品规格 PS-42022-0001-001.pdf

测试摘要 TS-42022-0001-001.pdf

产物环境合规

合规

GADSL/IMDS	Not Relevant
China RoHS	
EU ELV	Not Relevant
Low-Halogen Status	Low-Halogen per IEC 61249-2-21
REACH SVHC	Contains melamine per D(2023)8585-DC (23 Jan 2024)
EU RoHS	Compliant per EU 2015/863

多部分产品合规性声明

- Eu RoHS
- REACH SVHC
- Low-Halogen

- IPC 1752A Class C
- IPC 1752A Class D
- Molex Product Compliance Declaration
- IEC-62474

产品详情

常规

状态	活动
类别	Connector Housings
系列	42021
说明	2.13mm Diameter MLX Power Crimp Housing Plug, 2 Circuits, Natural
应用	Power, Wire-to-Board, Wire-to-Wire
个评论	Glow Wire Equivalent Part Number 366430002; Maximum current per contact 20A if used with 36663 and 36664 terminal
产品系列	MLX Power Connectors
产品名称	MLX
UPC	800754385411

机构

CSA	LR19980
UL	E29179

物理

电路详图	2
电路数 (最多)	2
颜色-树脂	Natural
阻燃性	94V-0
性别	Plug
符合灼热丝规范	否
插接极性	无
锁定插接部位	是
材料 - 树脂	Nylon
净重	2.038/g
行数	1
包装形式	Bag

面板安装式	否
间距 - 插配接口	6.35mm
有极性的插配件	是
可堆叠的	否
运行温度范围	-55° to +105° C

进程

无铅	不适用
----	-----

可配插/可连接使用的产品

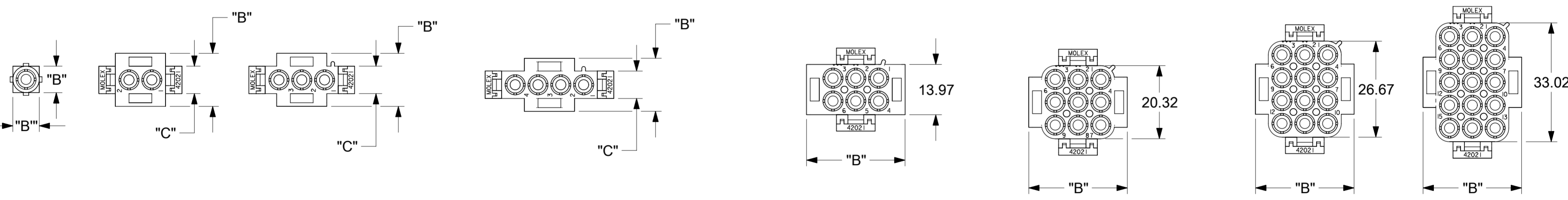
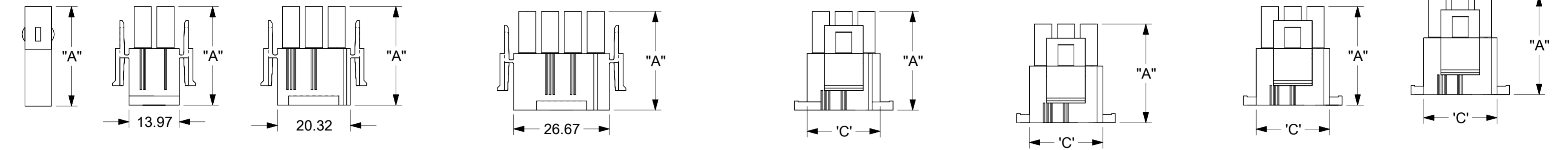
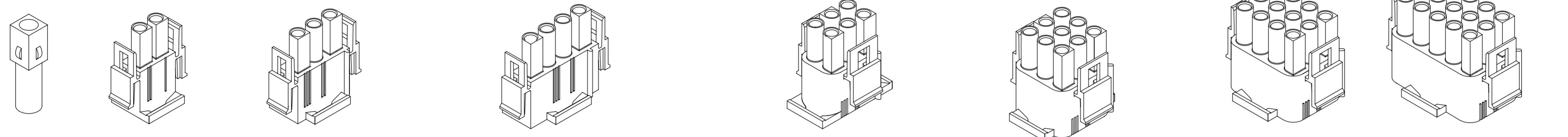
可配插部件

描述	产品编号
6.35mm Pitch MLX Vertical Power Connector Headers	<u>42002</u>
2.13mm Diameter MLX Pin and Socket Receptacles	<u>42022</u>
MLX Vertical Power Connector Headers	<u>43255</u>

可连接使用部件

描述	产品编号
Pre-Crimped Lead MLX Male-to-MLX Male, Tin (Sn) Plating, 150.00mm Length, 18 AWG, Black	/content/molex/molex-dot-com/cn/zh/products/product-page.html/797582029.html
Pre-Crimped Lead MLX Male-to-MLX Male, Tin (Sn) Plating, 300.00mm Length, 18 AWG, Black	/content/molex/molex-dot-com/cn/zh/products/product-page.html/797582030.html
Pre-Crimped Lead MLX Female-to-MLX Female, Tin (Sn) Plating, 150.00mm Length, 18 AWG, Black	/content/molex/molex-dot-com/cn/zh/products/product-page.html/797582031.html
Pre-Crimped Lead MLX Female-to-MLX Female, Tin (Sn) Plating, 300.00mm Length, 18 AWG, Black	/content/molex/molex-dot-com/cn/zh/products/product-page.html/797582032.html
MLX Crimp Terminals	<u>36663</u>
MLX Female Terminals	<u>36664</u>
MLX Male Crimp Terminals	<u>42023</u>
MLX Female Crimp Terminals	<u>42024</u>

This document was generated on Jul 01, 2024



THIS DRAWING CONTAINS INFORMATION THAT IS PROPRIETARY TO MOLEX ELECTRONIC TECHNOLOGIES, LLC AND SHOULD NOT BE USED WITHOUT WRITTEN PERMISSION

DIMENSION UNITS		SCALE		CURRENT REV DESC: MIGRATED TO ECTR			
MM		1:1		<p>molex</p> <p>HOUSING, PLUG 2.13 DIA. SERIES</p> <p>PRODUCT CUSTOMER DRAWING</p>			
GENERAL TOLERANCES (UNLESS SPECIFIED)							
	MM	INCH					
4 PLACES	±		±				
3 PLACES	±		± 0.1				
2 PLACES	± 0.25		± 0.14				
1 PLACE	± 0.36		±				
0 PLACES	±		±				
ANGULAR TOL		°		INITIAL REVISION:			
DRAFT WHERE APPLICABLE MUST REMAIN WITHIN DIMENSIONS		THIRD ANGLE PROJECTION		DRAWING		SERIES	
		A2-SIZE		42021		420210000	
				MATERIAL NUMBER		CUSTOMER	
				SEE TABLE OF SHEET 2		GENERAL MARKET	
				DOCUMENT NUMBER		DOC TYPE DOC PART REVISION	
				420210000		PSD 000 A	
				MATERIAL NUMBER		SHEET NUMBER	
				SEE TABLE OF SHEET 2		1 OF 2	

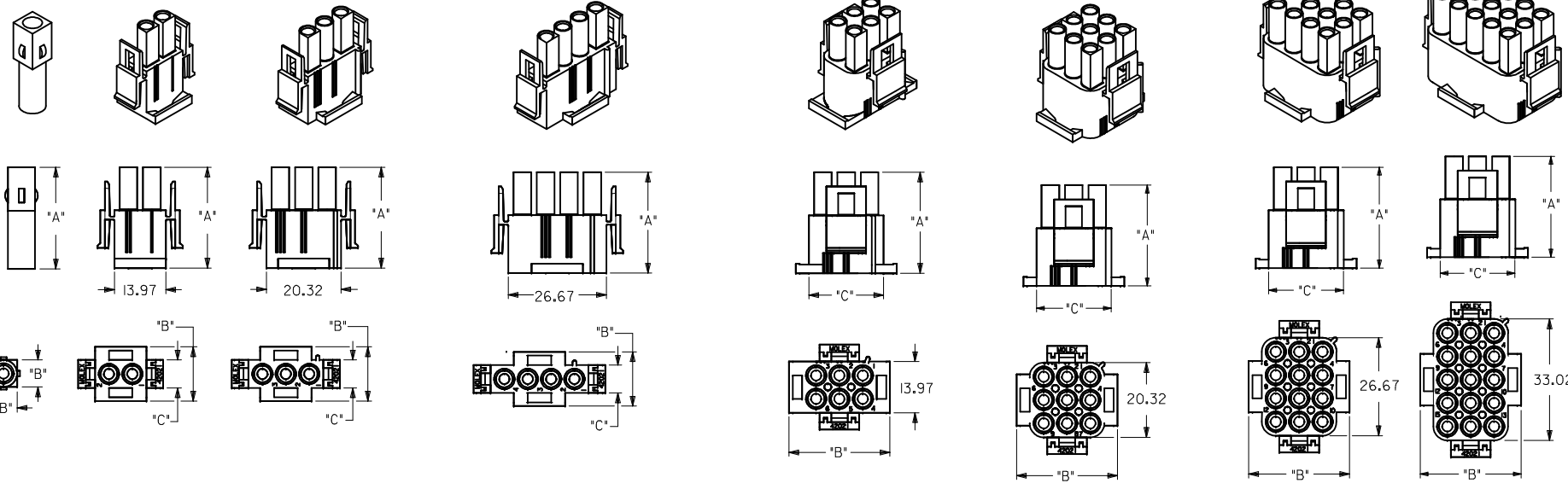
PART NO.	CIRCUIT SIZE	MATERIAL (SEE NOTE 1)	DIM "A"	DIM "B"	DIM "C"
050-84-1010	1	A	27.69	7.37	--
050-84-1015	1	C			
050-84-1020	2	A	27.61	14.73	7.62
050-84-1025	2	C			
050-84-1030	3	A	27.61	14.73	7.62
050-84-1035	3	C			
050-84-1040	4	A	27.61	14.73	7.62
050-84-1045	4	C			
050-84-1060	6	A	27.61	27.43	20.32
050-84-1065	6	C			
050-84-1090	9	A	27.61	27.43	20.32
050-84-1095	9	C			
050-84-1120	12	A	27.61	27.43	20.32
050-84-1125	12	C			
050-84-1150	15	A	27.61	27.43	20.32
050-84-1155	15	C			
366480001	1	D	27.43	7.37	--
366480002	2	D		14.73	7.62
366480003	3	D			
366480004	4	D			
366480005	6	D	27.43	27.43	20.32
366480006	9	D			
366480007	12	D			
366480008	15	D			

NOTES:

- 1) MATERIAL CODES:
 "A"= NYLON TYPE 6/6, 94V-2
 COLOR: NATURAL (WHITE/TRANSLUCENT)
 "C"= NYLON TYPE 6/6, 94V-0
 COLOR: NATURAL (WHITE)
 "D"= NYLON 94V-2
 COLOR: BLACK (ZYTEL 101F)
- 2) UNLESS OTHERWISE INDICATED, DIMENSIONS ARE FOR REFERENCE ONLY.
- 3) PLUG HOUSINGS MATE WITH:
 -CAP HOUSINGS, 2.13 DIA. SERIES: (42022-****)
 -HEADER ASSEMBLY HOUSINGS, 2.13 DIA. SERIES: (A-42002-****)
- 4) HOUSINGS DESIGNED TO BE USED WITH TERMINALS:
 -PINS, 2.13 DIA. SERIES: (42023-****)
 -SOCKETS, 2.13 DIA. SERIES: (42024-****)
- 5) CONTACTS ARE ON 6.35 GRID CENTERLINE SPACING.
- 6) PRODUCT SPECIFICATION PS-42022-0001 APPLIES.
- 7) FOR GLOW WIRE COMPATIBLE PART NUMBERS REFER DOCUMENT NO SD-36643-009.

THIS DRAWING CONTAINS INFORMATION THAT IS PROPRIETARY TO MOLEX ELECTRONIC TECHNOLOGIES, LLC AND SHOULD NOT BE USED WITHOUT WRITTEN PERMISSION									
DIMENSION UNITS		SCALE		CURRENT REV DESC: MIGRATED TO ECTR				molex	
MM		1:1							
GENERAL TOLERANCES (UNLESS SPECIFIED)				EC NO: 178202				HOUSING, PLUG 2.13 DIA. SERIES	
				DRWN: RLALSANGI 2018/02/26					
4 PLACES ±				CHK'D: NCSR 2018/07/12				PRODUCT CUSTOMER DRAWING	
3 PLACES ±				APPR: NCSR 2018/07/12					
2 PLACES ± 0.25				INITIAL REVISION:				DOCUMENT NUMBER	
1 PLACE ± 0.36				DRWN: RK 1987/11/16					
0 PLACES ±				APPR: GWF 1987/11/16				420210000	
ANGULAR TOL ± °				THIRD ANGLE PROJECTION		DRAWING		SERIES	
DRAFT WHERE APPLICABLE MUST REMAIN WITHIN DIMENSIONS						A2-SIZE		42021	
MATERIAL NUMBER		CUSTOMER		SHEET NUMBER		DOC TYPE		DOC PART	
SEE TABLE OF SHEET 2		GENERAL MARKET		2 OF 2		PSD		000	

13 12 11 10 9 8 7 6 5 4 3 2 1



VIEWS UPDATED EC NO: 12018-0003 DRWN:GES CHKD:SNAGARAVENK4 APPR:KPRASAD	2017/08/03 2017/08/03 2017/09/07	QUALITY SYMBOLS ∇=0 ∇=0 ∇=0	GENERAL TOLERANCES (UNLESS SPECIFIED)		DIMENSION STYLE MM ONLY	SCALE 1:1	DESIGN UNITS METRIC	THIRD ANGLE PROJECTION			
					DRAWN BY RK	DATE 87/11/16	TITLE HOUSING, PLUG 2.13 DIA. SERIES				
					4 PLACES ± --- ± --- 3 PLACES ± --- ± .010 2 PLACES ± 0.25 ± 0.14 1 PLACE ± 0.36 ± --- 0 PLACE ± ±	CHECKED BY GWF	DATE 87/11/16	molex			
					ANGULAR ± ---° DRAFT WHERE APPLICABLE MUST REMAIN WITHIN DIMENSIONS	APPROVED BY GWF	DATE 87/11/16	MATERIAL NO. SEE SHEET 2	DOCUMENT NO. SD-42021-**	SHEET NO. 1 OF 2	

PART NO.	CIRCUIT SIZE	MATERIAL (SEE NOTE 1)	DIM "A"	DIM "B"	DIM "C"
050-84-1010	1	A	27.69	7.37	----
050-84-1015	1	C			
050-84-1020	2	A	27.61	14.73	7.62
050-84-1025	2	C			
050-84-1030	3	A	27.61	14.73	7.62
050-84-1035	3	C			
050-84-1040	4	A	27.61	14.73	7.62
050-84-1045	4	C			
050-84-1060	6	A	27.61	27.43	20.32
050-84-1065	6	C			
050-84-1090	9	A	27.61	27.43	20.32
050-84-1095	9	C			
050-84-1120	12	A	27.61	27.43	20.32
050-84-1125	12	C			
050-84-1150	15	A	27.61	27.43	20.32
050-84-1155	15	C			
366480001	1	D	27.43	7.37	----
366480002	2	D		14.73	7.62
366480003	3	D	27.43		
366480004	4	D			
366480005	6	D			
366480006	9	D			
366480007	12	D			
366480008	15	D			

NOTES:

- 1) MATERIAL CODES:
 A= NYLON TYPE 6/6, 94V-2
 COLOR: NATURAL (WHITE/TRANSLUCENT)
 C= NYLON TYPE 6/6, 94V-0
 COLOR: NATURAL (WHITE)
 D= NYLON, 94V-2
 COLOR: BLACK (ZYTEL 101F)
- 2) UNLESS OTHERWISE INDICATED, DIMENSIONS ARE FOR REFERENCE ONLY.
- 3) PLUG HOUSINGS MATE WITH :
 - CAP HOUSINGS, 2.13 DIA. SERIES: (42022-**)

 - HEADER ASSEMBLY HOUSINGS,
 2.13 DIA. SERIES: (A-42002-****)
- 4) HOUSINGS DESIGNED TO BE USED WITH TERMINALS :
 - PINS, 2.13 DIA. SERIES: (42023-****)
 - SOCKETS, 2.13 DIA. SERIES: (42024-****)
- 5) CONTACTS ARE ON 6.35 GRID CENTERLINE SPACING.
- 6) PRODUCT SPECIFICATION PS-42022-0001 APPLIES.
- 7) FOR GLOW EIRE COMPATIBLE PART NUMBERS REFER DOCUMENT NO SD-36643-009.

SEE SHEET 1 EC NO: 12018-0003 DRWN:GES 2017/08/03 CHKD:SWAGRAVENK42017/08/03 APPR:KPRASAD 2017/09/07	DESCRIPTION REV	QUALITY SYMBOLS	GENERAL TOLERANCES (UNLESS SPECIFIED)		DIMENSION STYLE MM ONLY	SCALE 1:1	DESIGN UNITS METRIC	THIRD ANGLE PROJECTION
		▽=0	mm	INCH	DRAWN BY RK	DATE 87/11/16	TITLE HOUSING, PLUG 2.13 DIA. SERIES	
		▽=0	4 PLACES ± ---	± ---	CHECKED BY GWF	DATE 87/11/16		
		▽=0	3 PLACES ± ---	± .010	APPROVED BY GWF	DATE 87/11/16		
		2 PLACES ± 0.25	± 0.14	MATERIAL NO.	DOCUMENT NO.			
		1 PLACE ± 0.36	±	SEE TABLE THIS DRAWING CONTAINS INFORMATION THAT IS PROPRIETARY TO MOLEX INCORPORATED AND SHOULD NOT BE USED WITHOUT WRITTEN PERMISSION				
		0 PLACE ±	±	SIZE A2				