



产品编号 : [50841090](#)

Product Description : 2.13mm Diameter MLX Power Crimp Housing Plug, 9 Circuits, Natural

系列号 : 42021

状态 : Active

Product Category : Connector Housings

工程编号 : 42021-9A



文件和资源

图纸

[图纸 050841090_sd.pdf](#)

[包装设计图 PK-42021-XX-001.pdf](#)

3D 模型和设计文件

[3D模型 050841090_stp.zip](#)


规格

[产品规格 PS-42022-0001-001.pdf](#)

[测试摘要 TS-42022-0001-001.pdf](#)

产物环境合规

合规

| | |
|--------------------|---|
| GADSL/IMDS | Not Relevant |
| China RoHS |  |
| EU ELV | Not Relevant |
| Low-Halogen Status | Low-Halogen per IEC 61249-2-21 |
| REACH SVHC | Not Contained per D(2023)3788-DC (14 Jun 2023) |
| EU RoHS | Compliant per EU 2015/863 |

多部分产品合规性声明

- Eu RoHS

- REACH SVHC

- Low-Halogen

多部分行业合规性文件

- IPC 1752A Class C

- IPC 1752A Class D

- Molex Product Compliance Declaration

- IEC-62474

- chemSHERPA (xml)

欧盟 RoHS 合格证书

产品详情

常规

| | |
|------|---|
| 状态 | 活动 |
| 类别 | Connector Housings |
| 系列 | 42021 |
| 说明 | 2.13mm Diameter MLX Power Crimp Housing Plug, 9 Circuits, Natural |
| 应用 | Power, Wire-to-Board, Wire-to-Wire |
| 个评论 | Glow Wire Equivalent Part Number 366430006; Maximum current per contact 20A if used with 36663 and 36664 terminal |
| 产品系列 | MLX Power Connectors |
| 产品名称 | MLX |
| UPC | 800753577381 |

机构

| | |
|-----|---------|
| CSA | LR19980 |
| UL | E29179 |

电气

| | |
|---------|--------------|
| 每触点最大电流 | 11.0A, 20.0A |
|---------|--------------|

物理

| | |
|----------|---------|
| 电路详图 | 9 |
| 电路数 (最多) | 9 |
| 颜色-树脂 | Natural |

| | |
|-----------|-----------------|
| 阻燃性 | 94V-2 |
| 性别 | Plug |
| 符合灼热丝规范 | 否 |
| 插接极性 | 无 |
| 锁定插接部位 | 是 |
| 材料 - 树脂 | Nylon |
| 净重 | 5.355/g |
| 行数 | 3 |
| 包装形式 | Bag |
| 面板安装式 | 否 |
| 间距 - 插配接口 | 6.35mm |
| 有极性的插配件 | 是 |
| 可堆叠的 | 否 |
| 运行温度范围 | -55° to +105° C |

进程

| | |
|----|-----|
| 无铅 | 不适用 |
|----|-----|

可配插/可连接使用的产品

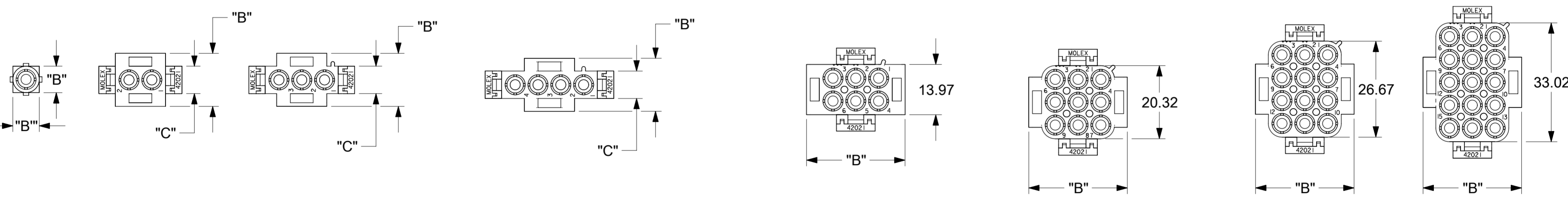
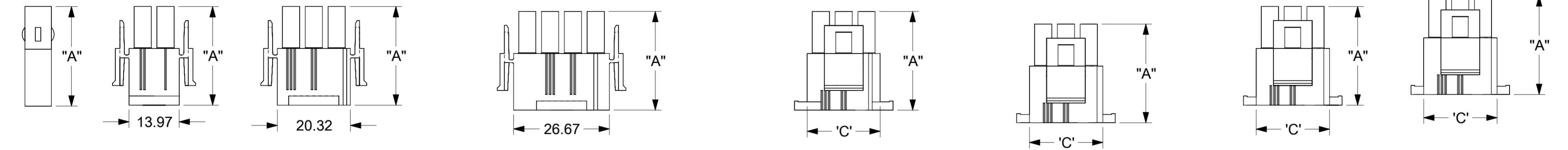
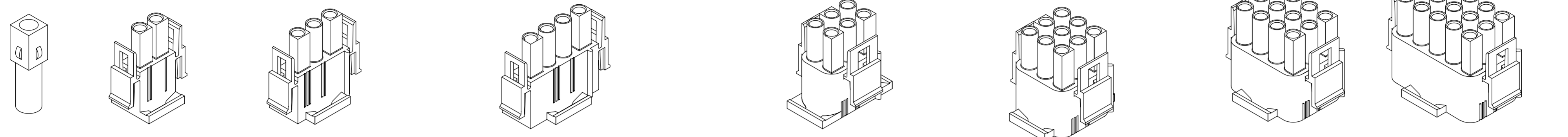
可配插部件

| 描述 | 产品编号 |
|---|--------------|
| 6.35mm Pitch MLX Vertical Power Connector Headers | <u>42002</u> |
| 2.13mm Diameter MLX Pin and Socket Receptacles | <u>42022</u> |
| MLX Vertical Power Connector Headers | <u>43255</u> |

可连接使用部件

| 描述 | 产品编号 |
|---|--|
| Pre-Crimped Lead MLX Male-to-MLX Male, Tin (Sn) Plating, 150.00mm Length, 18 AWG, Black | <u>/content/molex/molex-dot-com/cn/zh/products/product-page.html/797582029.html</u> |
| Pre-Crimped Lead MLX Male-to-MLX Male, Tin (Sn) Plating, 300.00mm Length, 18 AWG, Black | <u>/content/molex/molex-dot-com/cn/zh/products/product-page.html/797582030.html</u> |

| | |
|---|---|
| Pre-Crimped Lead MLX Female-to-MLX Female, Tin (Sn) Plating, 150.00mm Length, 18 AWG, Black | /content/molex/molex-dot-com/cn/zh/products/product-page.html/797582031.html |
| Pre-Crimped Lead MLX Female-to-MLX Female, Tin (Sn) Plating, 300.00mm Length, 18 AWG, Black | /content/molex/molex-dot-com/cn/zh/products/product-page.html/797582032.html |
| MLX Crimp Terminals | 36663 |
| MLX Female Terminals | 36664 |
| MLX Male Crimp Terminals | 42023 |
| MLX Female Crimp Terminals | 42024 |



THIS DRAWING CONTAINS INFORMATION THAT IS PROPRIETARY TO MOLEX ELECTRONIC TECHNOLOGIES, LLC AND SHOULD NOT BE USED WITHOUT WRITTEN PERMISSION

| | | | | | | | |
|--|--------|------------------------|--------|---|--|--------|--|
| DIMENSION UNITS | | SCALE | | CURRENT REV DESC: MIGRATED TO ECTR | | | |
| MM | | 1:1 | | <p>molex</p> <p>HOUSING, PLUG 2.13 DIA. SERIES</p> <p>PRODUCT CUSTOMER DRAWING</p> | | | |
| GENERAL TOLERANCES (UNLESS SPECIFIED) | | | | | | | |
| | MM | INCH | | | | | |
| 4 PLACES | ± | | ± | | | | |
| 3 PLACES | ± | | ± 0.1 | | | | |
| 2 PLACES | ± 0.25 | | ± 0.14 | | | | |
| 1 PLACE | ± 0.36 | | ± | | | | |
| 0 PLACES | ± | | ± | | | | |
| ANGULAR TOL | | ° | | INITIAL REVISION: | | | |
| DRAFT WHERE APPLICABLE MUST REMAIN WITHIN DIMENSIONS | | THIRD ANGLE PROJECTION | | DRAWING | | SERIES | |
| | | A2-SIZE | | 42021 | | 42021 | |

| | | | | |
|-----------------|------------|-----------------|----------|----------|
| EC NO: 178202 | 2018/02/26 | DOC TYPE | DOC PART | REVISION |
| DRWN: RLALSANGI | 2018/07/12 | PSD | 000 | A |
| CHK'D: NCSR | 2018/07/12 | MATERIAL NUMBER | | |
| APPR: NCSR | 2018/07/12 | CUSTOMER | | |
| DRWN: RK | | SHEET NUMBER | | |
| APPR: GWF | | 1 OF 2 | | |

| PART NO. | CIRCUIT SIZE | MATERIAL (SEE NOTE 1) | DIM "A" | DIM "B" | DIM "C" |
|-------------|--------------|-----------------------|---------|---------|---------|
| 050-84-1010 | 1 | A | 27.69 | 7.37 | -- |
| 050-84-1015 | 1 | C | | | |
| 050-84-1020 | 2 | A | 27.61 | 14.73 | 7.62 |
| 050-84-1025 | 2 | C | | | |
| 050-84-1030 | 3 | A | 27.61 | 14.73 | 7.62 |
| 050-84-1035 | 3 | C | | | |
| 050-84-1040 | 4 | A | 27.61 | 14.73 | 7.62 |
| 050-84-1045 | 4 | C | | | |
| 050-84-1060 | 6 | A | 27.61 | 27.43 | 20.32 |
| 050-84-1065 | 6 | C | | | |
| 050-84-1090 | 9 | A | 27.61 | 27.43 | 20.32 |
| 050-84-1095 | 9 | C | | | |
| 050-84-1120 | 12 | A | 27.61 | 27.43 | 20.32 |
| 050-84-1125 | 12 | C | | | |
| 050-84-1150 | 15 | A | 27.61 | 27.43 | 20.32 |
| 050-84-1155 | 15 | C | | | |
| 366480001 | 1 | D | 27.43 | 7.37 | -- |
| 366480002 | 2 | D | | 14.73 | 7.62 |
| 366480003 | 3 | D | | | |
| 366480004 | 4 | D | | | |
| 366480005 | 6 | D | 27.43 | 27.43 | 20.32 |
| 366480006 | 9 | D | | | |
| 366480007 | 12 | D | | | |
| 366480008 | 15 | D | | | |

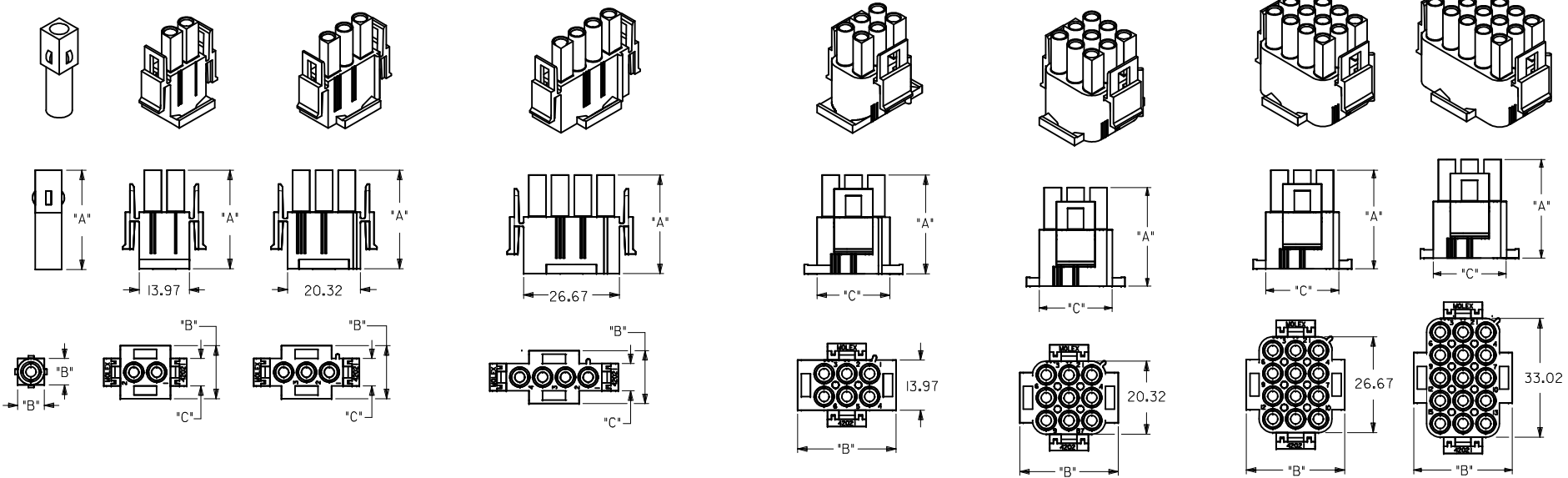
NOTES:

- 1) MATERIAL CODES:
 "A"= NYLON TYPE 6/6, 94V-2
 COLOR: NATURAL (WHITE/TRANSLUCENT)
 "C"= NYLON TYPE 6/6, 94V-0
 COLOR: NATURAL (WHITE)
 "D"= NYLON 94V-2
 COLOR: BLACK (ZYTEL 101F)
- 2) UNLESS OTHERWISE INDICATED, DIMENSIONS ARE FOR REFERENCE ONLY.
- 3) PLUG HOUSINGS MATE WITH:
 -CAP HOUSINGS, 2.13 DIA. SERIES: (42022-****)
 -HEADER ASSEMBLY HOUSINGS, 2.13 DIA. SERIES: (A-42002-****)
- 4) HOUSINGS DESIGNED TO BE USED WITH TERMINALS:
 -PINS, 2.13 DIA. SERIES: (42023-****)
 -SOCKETS, 2.13 DIA. SERIES: (42024-****)
- 5) CONTACTS ARE ON 6.35 GRID CENTERLINE SPACING.
- 6) PRODUCT SPECIFICATION PS-42022-0001 APPLIES.
- 7) FOR GLOW WIRE COMPATIBLE PART NUMBERS REFER DOCUMENT NO SD-36643-009.

| | | | | | | | | | |
|---|--|-------|--|------------------------------------|--|---------|--|-----------------------------------|--|
| THIS DRAWING CONTAINS INFORMATION THAT IS PROPRIETARY TO MOLEX ELECTRONIC TECHNOLOGIES, LLC AND SHOULD NOT BE USED WITHOUT WRITTEN PERMISSION | | | | | | | | | |
| DIMENSION UNITS | | SCALE | | CURRENT REV DESC: MIGRATED TO ECTR | | | | molex | |
| MM | | 1:1 | | | | | | | |
| GENERAL TOLERANCES (UNLESS SPECIFIED) | | | | EC NO: 178202 | | | | HOUSING, PLUG 2.13 DIA. SERIES | |
| | | | | DRWN: RLALSANGI 2018/02/26 | | | | | |
| 4 PLACES ± | | | | CHK'D: NCSR 2018/07/12 | | | | PRODUCT CUSTOMER DRAWING | |
| 3 PLACES ± | | | | APPR: NCSR 2018/07/12 | | | | | |
| 2 PLACES ± 0.25 | | | | INITIAL REVISION: | | | | DOCUMENT NUMBER | |
| 1 PLACE ± 0.36 | | | | DRWN: RK 1987/11/16 | | | | | |
| 0 PLACES ± | | | | APPR: GWF 1987/11/16 | | | | 420210000 | |
| ANGULAR TOL ± ° | | | | THIRD ANGLE PROJECTION | | DRAWING | | SHEET NUMBER | |
| DRAFT WHERE APPLICABLE MUST REMAIN WITHIN DIMENSIONS | | | | | | A2-SIZE | | 2 OF 2 | |

| | | | |
|-----------------|----|--------------|---------------------|
| DOCUMENT STATUS | P1 | RELEASE DATE | 2018/07/12 07:32:07 |
|-----------------|----|--------------|---------------------|

13 12 11 10 9 8 7 6 5 4 3 2 1



| | | | | | | | | |
|---|--------------------------------------|--|---------|---|------------------------------------|--|------------------------|--|
| VIEWS UPDATED EC NO: 12018-0003 DRWN:GES CHKD:SNAGARAVENK42017/08/03 APPR:KPRASAD_2017/09/07 | QUALITY SYMBOLS ∇=0 ∇=0 ∇=0 | GENERAL TOLERANCES (UNLESS SPECIFIED) | | DIMENSION STYLE MM ONLY | SCALE 1:1 | DESIGN UNITS METRIC | THIRD ANGLE PROJECTION | |
| | | 4 PLACES ± --- ± --- | mm INCH | DRAWN BY RK | DATE 87/11/16 | TITLE HOUSING, PLUG 2.13 DIA. SERIES | | |
| | | 3 PLACES ± --- ± .010 | | CHECKED BY GWF | DATE 87/11/16 | molex | | |
| | | 2 PLACES ± 0.25 ± 0.14 | | APPROVED BY GWF | DATE 87/11/16 | | | |
| 1 PLACE ± 0.36 ± --- | | ANGULAR ± --- ° | | MATERIAL NO. SEE SHEET 2 | DOCUMENT NO. SD-42021-** | SHEET NO. 1 OF 2 | | |
| 0 PLACE ± ± | | DRAFT WHERE APPLICABLE MUST REMAIN WITHIN DIMENSIONS | | THIS DRAWING CONTAINS INFORMATION THAT IS PROPRIETARY TO MOLEX INCORPORATED AND SHOULD NOT BE USED WITHOUT WRITTEN PERMISSION | | | | |

12 11 10 9 8 7 6 5 4 3 2 1

| PART NO. | CIRCUIT SIZE | MATERIAL (SEE NOTE 1) | DIM "A" | DIM "B" | DIM "C" |
|-------------|--------------|--------------------------|------------|------------|------------|
| 050-84-1010 | 1 | A | 27.69 | 7.37 | ---- |
| 050-84-1015 | 1 | C | | | |
| 050-84-1020 | 2 | A | 27.61 | 14.73 | 7.62 |
| 050-84-1025 | 2 | C | | | |
| 050-84-1030 | 3 | A | 27.61 | 14.73 | 7.62 |
| 050-84-1035 | 3 | C | | | |
| 050-84-1040 | 4 | A | 27.61 | 14.73 | 7.62 |
| 050-84-1045 | 4 | C | | | |
| 050-84-1060 | 6 | A | 27.61 | 27.43 | 20.32 |
| 050-84-1065 | 6 | C | | | |
| 050-84-1090 | 9 | A | 27.61 | 27.43 | 20.32 |
| 050-84-1095 | 9 | C | | | |
| 050-84-1120 | 12 | A | 27.61 | 27.43 | 20.32 |
| 050-84-1125 | 12 | C | | | |
| 050-84-1150 | 15 | A | 27.61 | 27.43 | 20.32 |
| 050-84-1155 | 15 | C | | | |
| 366480001 | 1 | D | 27.43 | 7.37 | ---- |
| 366480002 | 2 | D | | 14.73 | 7.62 |
| 366480003 | 3 | D | 27.43 | | |
| 366480004 | 4 | D | | | |
| 366480005 | 6 | D | | | |
| 366480006 | 9 | D | | | |
| 366480007 | 12 | D | | | |
| 366480008 | 15 | D | | | |

NOTES:

- 1) MATERIAL CODES:
 A= NYLON TYPE 6/6, 94V-2
 COLOR: NATURAL (WHITE/TRANSLUCENT)
 C= NYLON TYPE 6/6, 94V-0
 COLOR: NATURAL (WHITE)
 D= NYLON, 94V-2
 COLOR: BLACK (ZYTEL 101F)
- 2) UNLESS OTHERWISE INDICATED, DIMENSIONS ARE FOR REFERENCE ONLY.
- 3) PLUG HOUSINGS MATE WITH :
 - CAP HOUSINGS, 2.13 DIA. SERIES: (42022-**)

 - HEADER ASSEMBLY HOUSINGS,
 2.13 DIA. SERIES: (A-42002-****)
- 4) HOUSINGS DESIGNED TO BE USED WITH TERMINALS :
 - PINS, 2.13 DIA. SERIES: (42023-****)
 - SOCKETS, 2.13 DIA. SERIES: (42024-****)
- 5) CONTACTS ARE ON 6.35 GRID CENTERLINE SPACING.
- 6) PRODUCT SPECIFICATION PS-42022-0001 APPLIES.
- 7) FOR GLOW EIRE COMPATIBLE PART NUMBERS REFER DOCUMENT NO SD-36643-009.

| | | | | | | | | |
|--|--------------------|---|---------------------------------------|--------------|-----------------------------------|---------------------|--|------------------------|
| SEE SHEET 1 EC NO: I2018-0003 DRWN:GES 2017/08/03 CHKD:SNAGARVENK42017/08/03 APPR:KPRASAD 2017/09/07 | DESCRIPTION REV | QUALITY SYMBOLS | GENERAL TOLERANCES (UNLESS SPECIFIED) | | DIMENSION STYLE MM ONLY | SCALE 1:1 | DESIGN UNITS METRIC | THIRD ANGLE PROJECTION |
| | | ▽=0 | mm | INCH | DRAWN BY RK | DATE 87/11/16 | TITLE HOUSING, PLUG 2.13 DIA. SERIES | |
| | | ▽=0 | 4 PLACES ± --- | ± --- | CHECKED BY GWF | DATE 87/11/16 | | |
| | | ▽=0 | 3 PLACES ± --- | ± .010 | APPROVED BY GWF | DATE 87/11/16 | | |
| | | 2 PLACES ± 0.25 | ± 0.14 | | | | | |
| | | 1 PLACE ± 0.36 | ± --- | | | | | |
| | | 0 PLACE ± | ± | | | | | |
| | | ANGULAR ± ---° | | MATERIAL NO. | DOCUMENT NO. | | | |
| | | DRAFT WHERE APPLICABLE MUST REMAIN WITHIN DIMENSIONS | | SEE TABLE | | SD-42021-** | SHEET NO. 2 OF 2 | |
| | | THIS DRAWING CONTAINS INFORMATION THAT IS PROPRIETARY TO MOLEX INCORPORATED AND SHOULD NOT BE USED WITHOUT WRITTEN PERMISSION | | | | | | |