



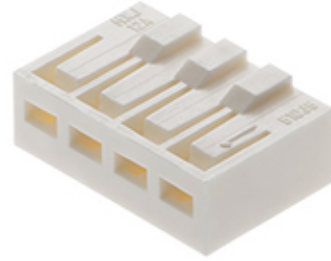
产品编号 : [510350800](#)

Product Description : 2.50mm Pitch, Board-In Crimp Housing, Single Row, 8 Circuits, Natural

系列号 : 51035

状态 : Active

Product Category : Connector Housings



文件和资源

图纸

[图纸 510350800_sd.pdf](#)

[包装设计图 SPK-51035-001-001.pdf](#)

[包装设计图 SPK-51035-001-002.pdf](#)

3D 模型和设计文件

[3D模型 510350800_stp.zip](#)

规格

[产品规格 PS-51035-001-001.pdf](#)

[产品规格 PS-51035-002-001.pdf](#)

产物环境合规

合规

GADSL/IMDS	Not Relevant
China RoHS	
EU ELV	Not Relevant
Low-Halogen Status	Not Low-Halogen per IEC 61249-2-21
REACH SVHC	Not Contained per D(2023)3788-DC (14 Jun 2023)
EU RoHS	Compliant per EU 2015/863

多部分产品合规性声明

- Eu RoHS
- REACH SVHC
- Low-Halogen

多部分行业合规性文件

- IPC 1752A Class C
- IPC 1752A Class D
- Molex Product Compliance Declaration
- IEC-62474
- chemSHERPA (xml)

欧盟 RoHS 合格证书

产品详情

常规

状态	活动
类别	Connector Housings
系列	51035
说明	2.50mm Pitch, Board-In Crimp Housing, Single Row, 8 Circuits, Natural
应用	Signal
产品系列	Board-in Connectors
产品名称	Board-in
UPC	800754238649

物理

电路数（最多）	8
颜色-树脂	Natural
性别	不适用
符合灼热丝规范	否
材料 - 树脂	Nylon
净重	351.600/mg
行数	1
包装形式	Bag
面板安装式	否
间距 - 插配接口	2.50mm
可堆叠的	否
运行温度范围	-40° to +105° C

可连接使用部件

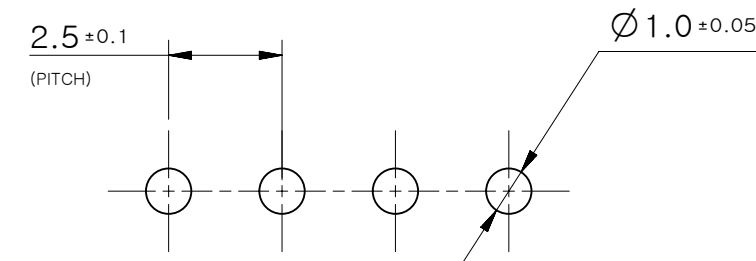
描述	产品编号
2.50mm Pitch Board-in Male Crimp Terminals	<u>50097</u>

This document was generated on Jan 30, 2024

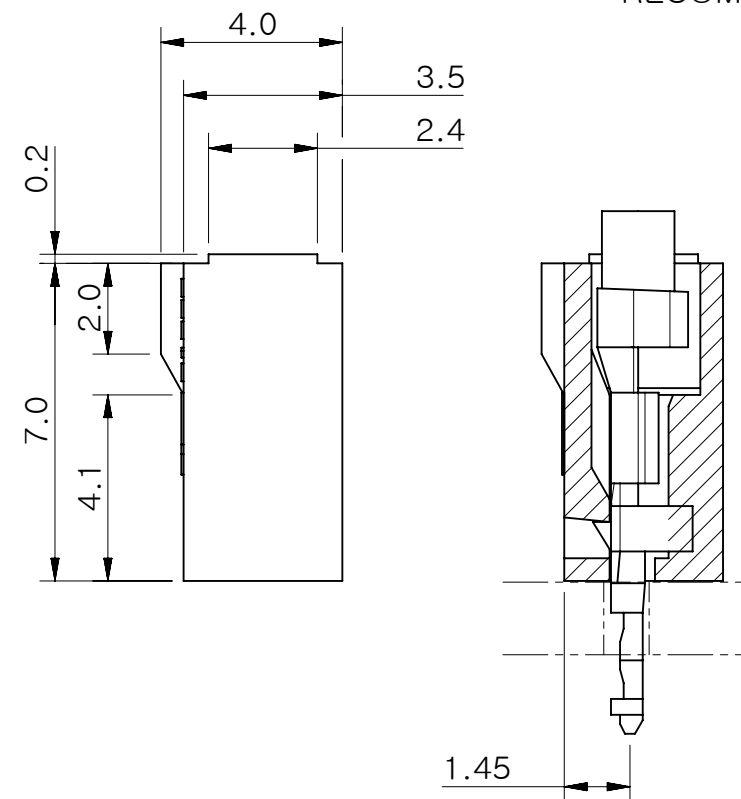
NOTES.

1. APPLICABLE TERMINAL : 500978*00
2. TRADE MARK IS FORMED BY MXJ AND BY 1-2 DIGIT NUMBER (TO CAVITY NO.) AND BY 1 LETTER OD ALPHABET (TO MOLD NO.)
3. ELV AND RoHS COMPLIANT

(NON-ACCUMULATIVE)

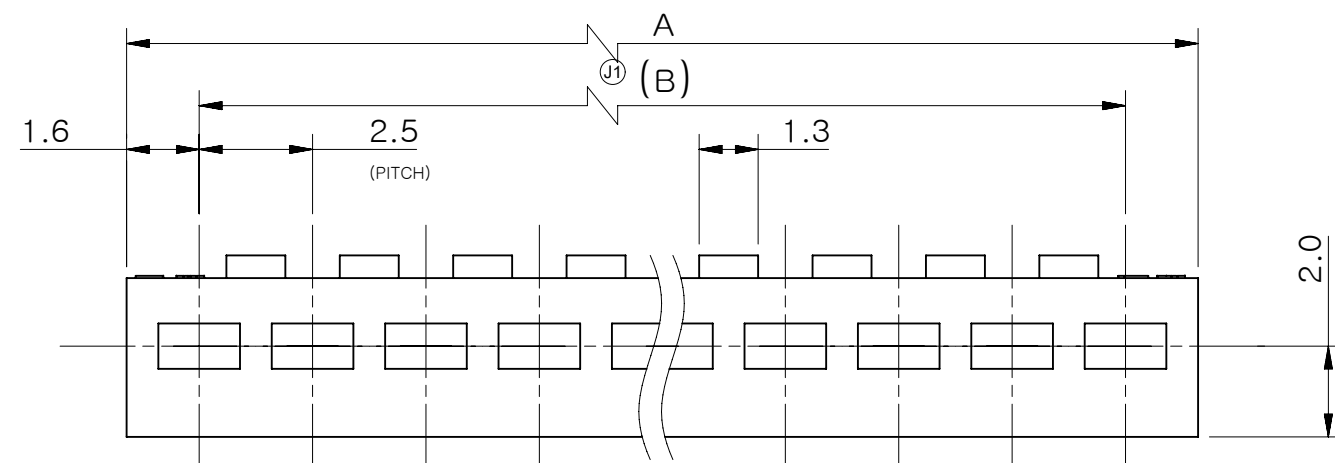
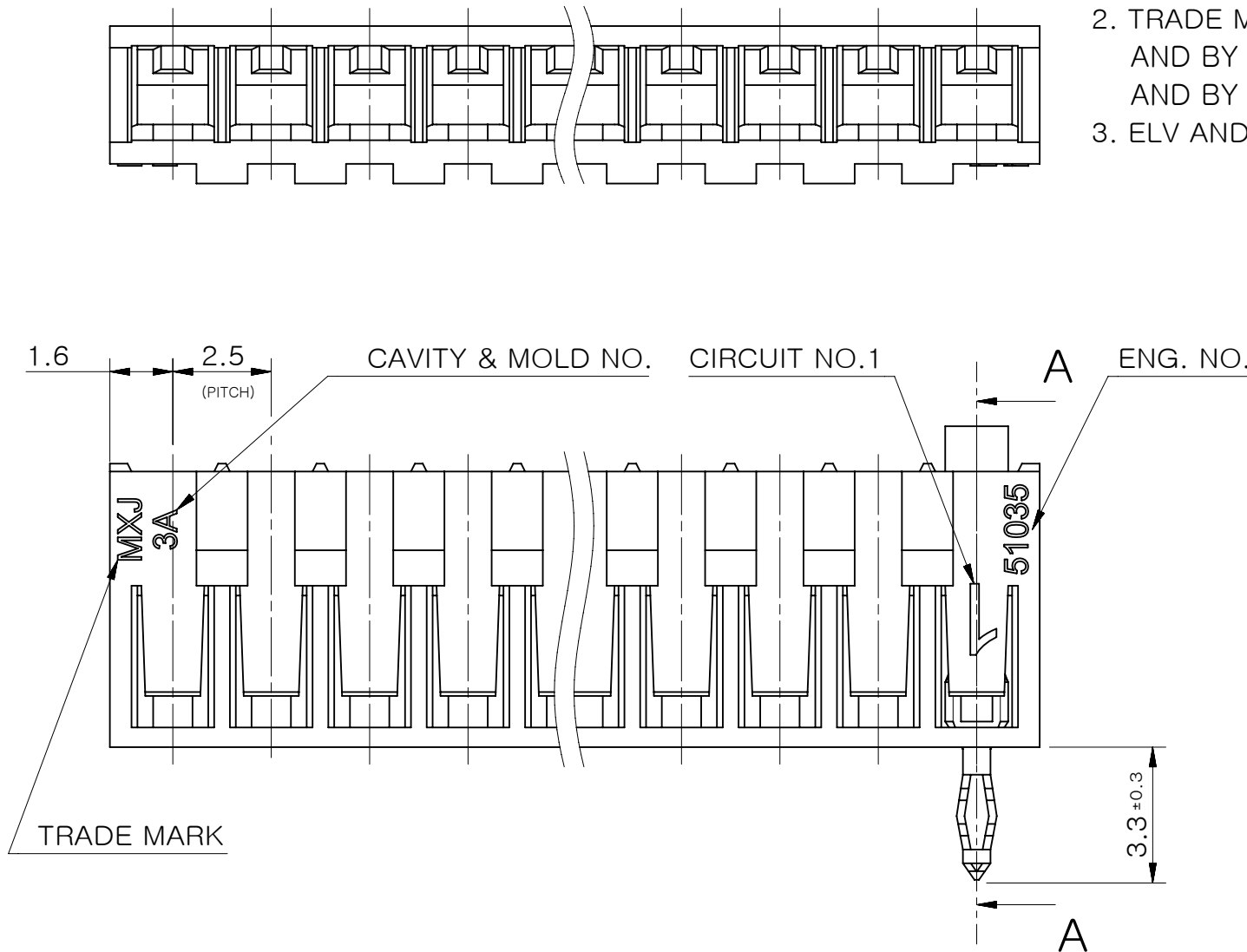


RECOMMENDED PC BOARD HOLE DIMENSION
(THICKNESS : 1.6mm)



SECTION A-A

27.5	30.7	510351200	12
25.0	28.2	510351100	11
22.5	25.7	510351000	10
20.0	23.2	510350900	9
17.5	20.7	510350800	8
15.0	18.2	510350700	7
12.5	15.7	510350600	6
10.0	13.2	510350500	5
7.5	10.7	510350400	4
5.0	8.2	510350300	3
2.5	5.7	510350200	2
B	A	ORDER NO.	CKT.



GENERAL TOLERANCES (UNLESS SPECIFIED)	
10 UNDER	±0.2
10 OVER 30 UNDER	±0.25
30 OVER	±0.3
DRAFT WHERE APPLICABLE MUST REMAIN WITHIN DEMENSIONS	

MATERIAL	POLYAMIDE, UL94V-0
WIRE RANGE	AWG #24 ~ 20 KV 0.2 ~ 0.5 AVS 0.3 ~ 0.5
INS. RANGE	Ø1.3 ~ Ø2.1

FUNCTIONAL SYMBOLS	THIS DRAWING CONTAINS INFORMATION THAT IS PROPRIETARY TO MOLEX ELECTRONIC TECHNOLOGIES, LLC AND SHOULD NOT BE USED WITHOUT WRITTEN PERMISSION
$\nabla_A = 0$ $\nabla_E = 0$ $\nabla_V = 0$	DIMENSION UNITS: mm SCALE: 6:1 GENERAL TOLERANCES (UNLESS SPECIFIED) ANGULAR TOL ± 3.0° 4 PLACES ± 3 PLACES ± 2 PLACES ± 1 PLACE ± 0 PLACES ± DRAFT WHERE APPLICABLE MUST REMAIN WITHIN DIMENSIONS
DIVISIONAL SYMBOLS	CURRENT REV DESC: OBSOLETE PART NUMBER AS PER PCN#509988 EC NO: 704776 DRWN: SUGEEB CHK'D: GGA APPR: GGA INITIAL REVISION: DRWN: RHORI APPR: NUKITA
DOCUMENT STATUS: P1 RELEASE DATE: 2022/05/24 10:34:53	2022/03/31 2022/05/24 2022/05/24 2011/05/12 2011/05/16
2.5 BOARD IN CONN. HOUSING	
PRODUCT CUSTOMER DRAWING	
DOCUMENT NUMBER: SD-51035-001 DOC TYPE: PSD DOC PART: 001 REVISION: J2	MATERIAL NUMBER: SEE TABLE CUSTOMER: GENERAL MARKET SHEET NUMBER: 1 OF 1