



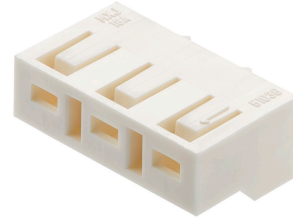
产品编号 : [510360200](#)

Product Description : 4.00mm Pitch Board-in Housing, Vertical, 2 Circuits, Natural

系列号 : 51036

状态 : Active

Product Category : Connector Housings



文件和资源

图纸

[图纸 510360200_sd.pdf](#)

[包装设计图 SPK-51036-001-001.pdf](#)

3D 模型和设计文件

[3D模型 510360200_stp.zip](#)


规格

[产品规格 PS-51036-002-001.pdf](#)

[产品规格 PS-51036-003-001.pdf](#)

产物环境合规

合规

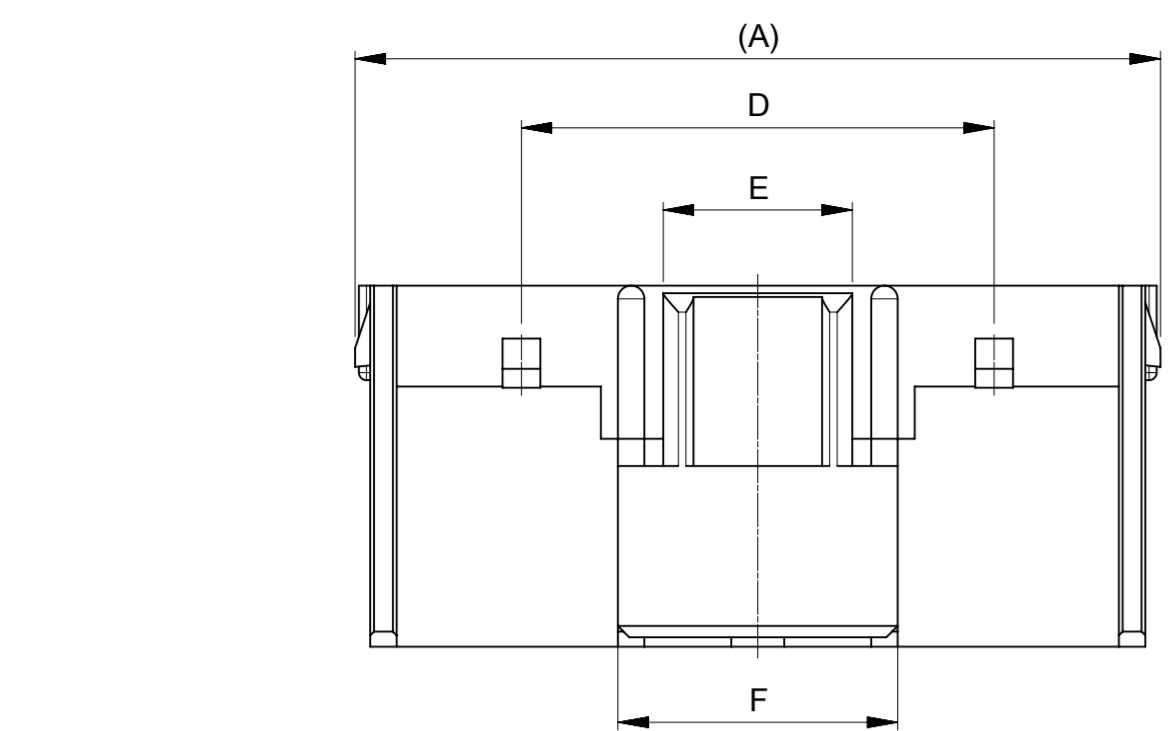
GADSL/IMDS	Not Relevant
China RoHS	
EU ELV	Not Relevant
Low-Halogen Status	Not Low-Halogen per IEC 61249-2-21
REACH SVHC	Not Contained per D(2023)3788-DC (14 Jun 2023)
EU RoHS	Compliant per EU 2015/863

多部分产品合规性声明

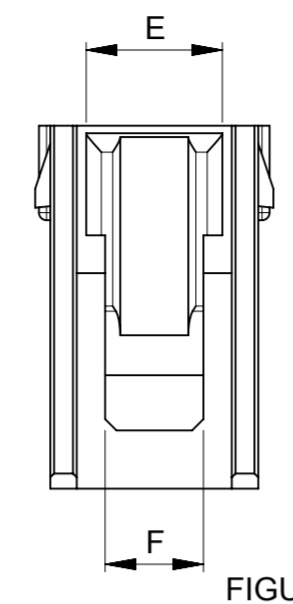
- Eu RoHS
- REACH SVHC
- Low-Halogen

多部分行业合规性文件

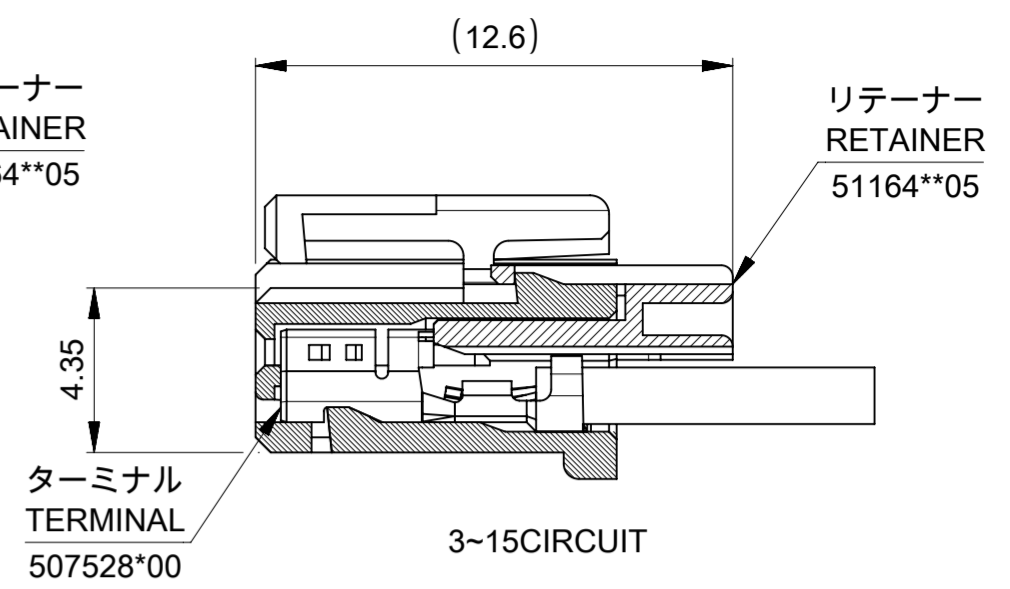
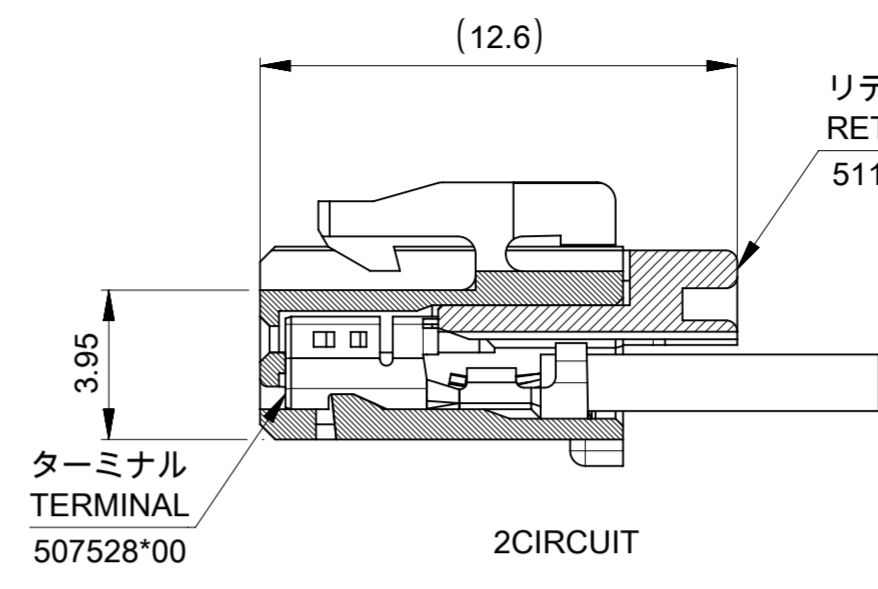
- IPC 1752A Class C



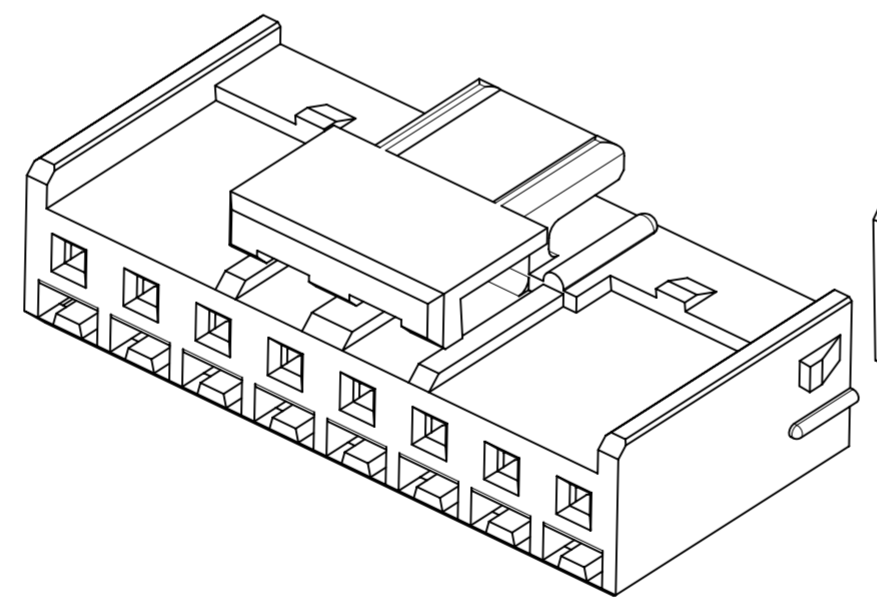
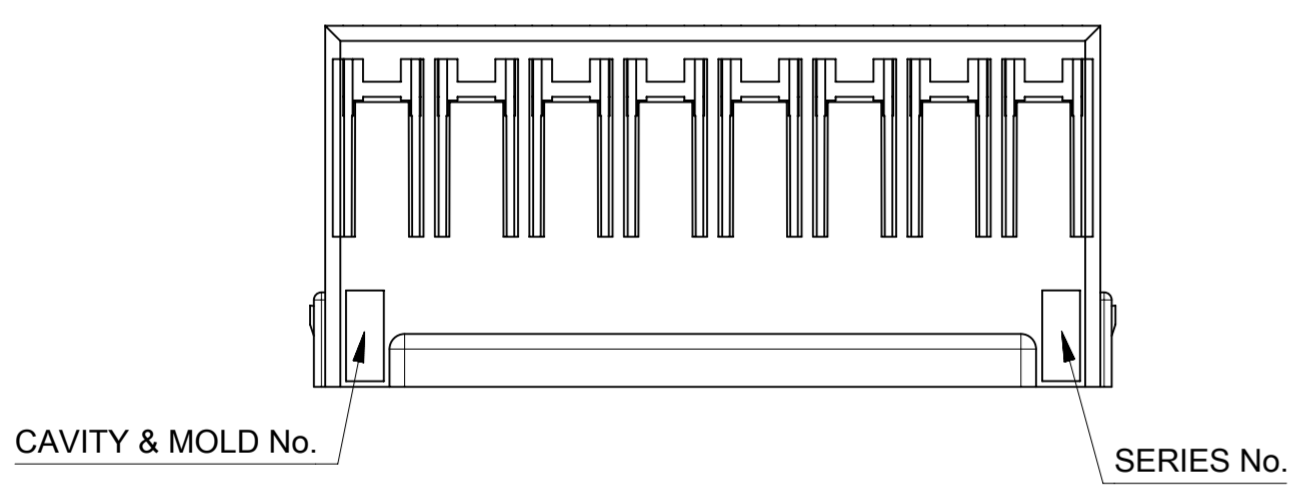
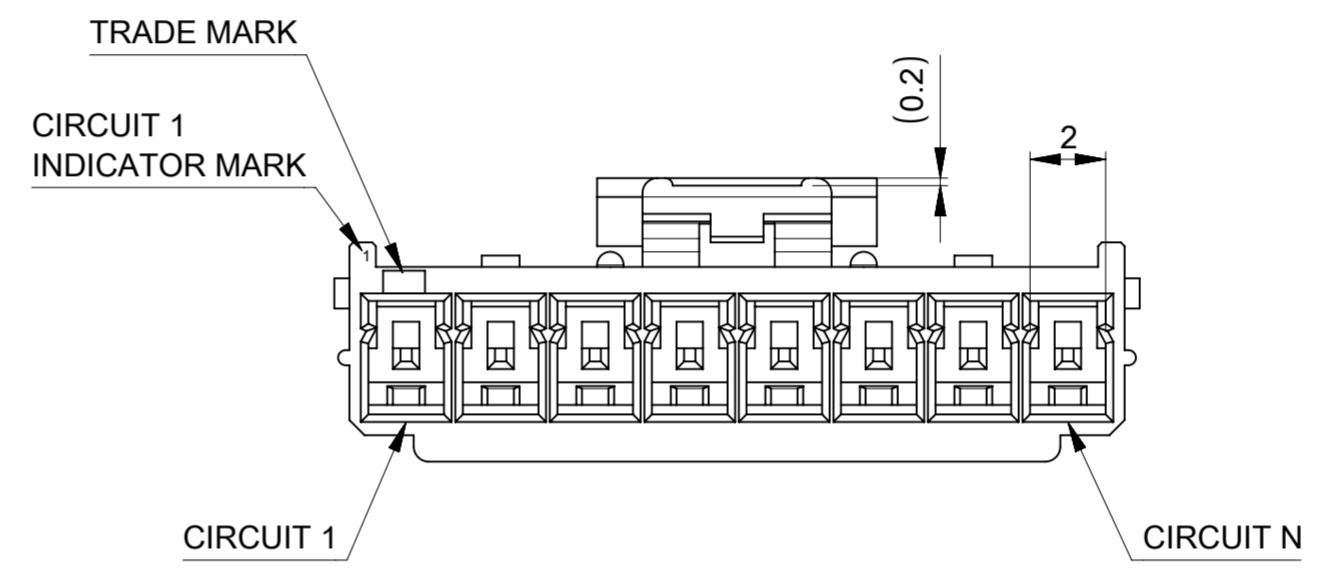
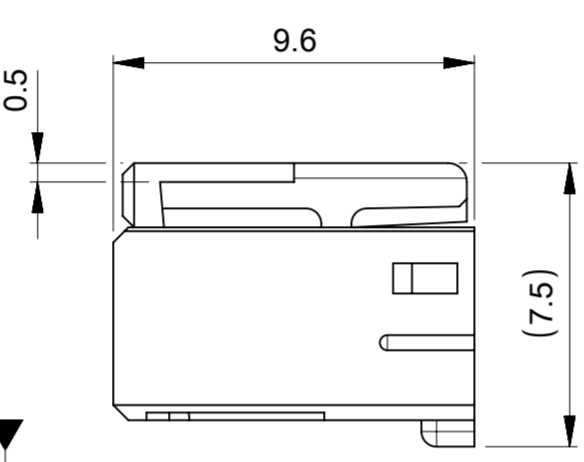
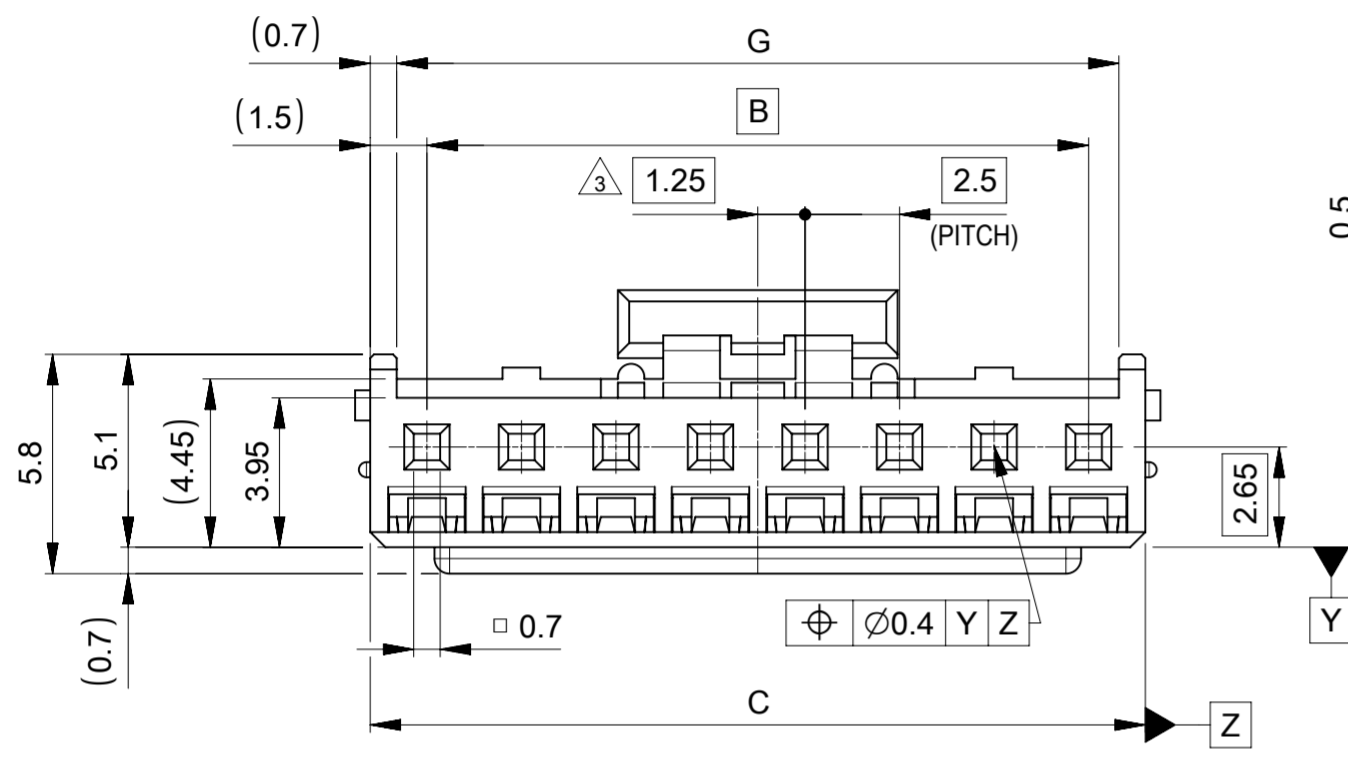
2極ロック形状
2CIRCUIT LOCK FORM



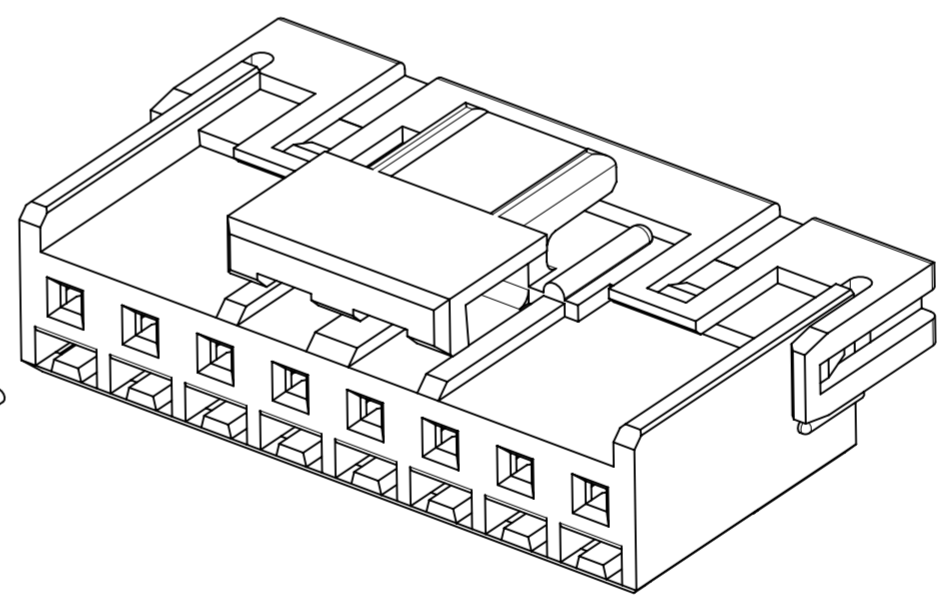
2極形状
FIGURE OF 2 CIRCUIT



ターミナル及びリテーナー装着状態図
TERMINAL AND RETAINER ASSEMBLY DRAWING



リテーナー未装着状態図
ASSEMBLY DRAWING



リテーナー装着状態図
RETAINER ASSEMBLY DRAWING

36.6	7.4	5	12.5	38	35	38.8	5116315**	15
34.1	7.4	5	12.5	35.5	32.5	36.3	5116314**	14
31.6	7.4	5	12.5	33	30	33.8	5116313**	13
29.1	7.4	5	12.5	30.5	27.5	31.3	5116312**	12
26.6	7.4	5	12.5	28	25	28.8	5116311**	11
24.1	7.4	5	12.5	25.5	22.5	26.3	5116310**	10
21.6	7.4	5	12.5	23	20	23.8	5116309**	9
19.1	7.4	5	12.5	20.5	17.5	21.3	5116308**	8
16.6	7.4	5	-	18	15	18.8	5116307**	7
14.1	7.4	5	-	15.5	12.5	16.3	5116306**	6
11.6	7.4	5	-	13	10	13.8	5116305**	5
9.1	7.4	5	-	10.5	7.5	11.3	5116304**	4
6.6	5	3	-	8	5	8.8	5116303**	3
4.1	2.6	3.6	-	5.5	2.5	6.3	5116302**	2
G	F	E	D	C	B	(A)	発注番号 ORDER No.	極数 CIRCUIT SIZE

- NOTE
- △ 材料：TABLE1参照
MATERIAL:SEE TABLE1
 - △ 適合ハウジング, 嵌合相手, 関連ドキュメントについてはSHEET 2 を御参照ください。
PLEASE REFER TO SHEET 2 FOR APPLICABLE HOUSING, MATING PARTNER AND RELATED DOCUMENTS.
 - △ 偶数極に適用
APPLY FOR EVEN CIRCUIT.
 - 4. 本製品のプラスチック部に黒点等が確認される場合や、色合いが異なる場合が御座いますが、製品性能に影響は御座いません
THERE IS NO INFLUENCE IN THE PRODUCT PERFORMANCE IN CASE THAT THE BLACK SPOT OR BUBBLE ETC. MIGHT BE APPEARED ON THE PLASTIC PART OF THIS PRODUCT AND THE COLOR SHADE MIGHT BE DIFFERENT.
 - 5. GLOW WIRE TEST適合品
THIS PRODUCT IS GLOW WIRE TEST COMPATIBLE.

△ TABLE1

部品 PART	材質 MATERIAL
ハウジング HOUSING	51163**00 ポリエステル(PBT):ガラス非含有,UL94V-0,色:ナチュラル(白) POLYESTER(PBT):GLASS UNFILLED,UL94V-0,COLOR:NATURAL(WHITE)
	51163**41 ポリアミド(PA):ガラス非含有,UL94V-0,色:黒 POLYAMIDE(PA):GLASS UNFILLED,UL94V-0,COLOR:BLACK

DOCUMENT STATUS	P1	RELEASE DATE	2023/05/15 02:57:18
-----------------	----	--------------	---------------------

THIS DRAWING CONTAINS INFORMATION THAT IS PROPRIETARY TO MOLEX ELECTRONIC TECHNOLOGIES, LLC AND SHOULD NOT BE USED WITHOUT WRITTEN PERMISSION

DIMENSION UNITS	SCALE	CURRENT REV DESC:	molex		
mm	NTS				
GENERAL TOLERANCES (UNLESS SPECIFIED)			MINI-LOCK 2.5 SINGLE ROW RECEPTACLE HOUSING WITH RETAINER		
ANGULAR TOL ± 3.0°					
4 PLACES	± 0.2	EC NO: 652870	PRODUCT CUSTOMER DRAWING		
3 PLACES	± 0.2	DRWN: MIKEDA01 2023/03/27			
2 PLACES	± 0.2	CHK'D: SAKIYAMA 2023/05/11	DOCUMENT NUMBER		
1 PLACE	± 0.2	APPR: AIDA 2023/05/15			
0 PLACES	± 0.2	INITIAL REVISION:	51163000-SD		
DRWN: RWATANABE01 2019/04/22					
APPR: SAKIYAMA 2020/09/28			DOC TYPE	DOC PART	REVISION
DRAFT WHERE APPLICABLE MUST REMAIN WITHIN DIMENSIONS			PSD	000	B
THIRD ANGLE PROJECTION			SHEET NUMBER		
DRAWING			1 OF 2		
SERIES			GENERAL		
MATERIAL NUMBER			A2-SIZE 51163		
CUSTOMER			1 OF 2		

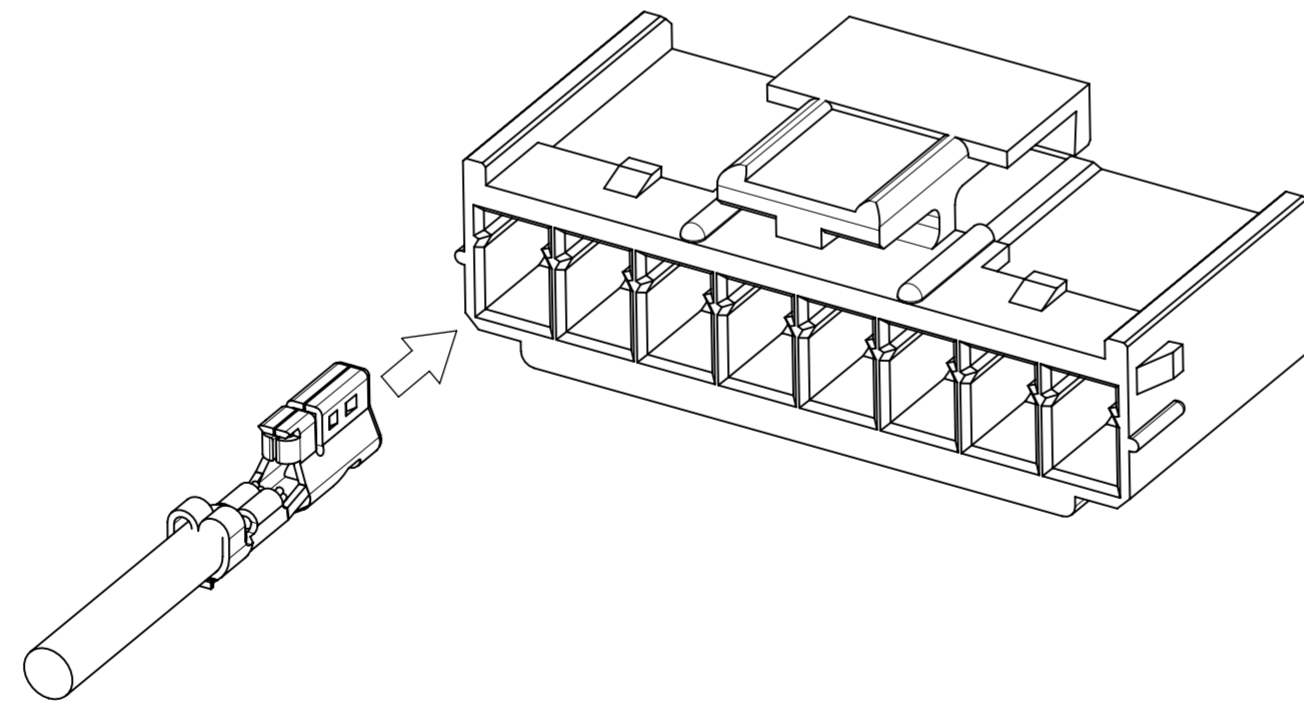
△ 適合製品及び各種仕様書
 APPLICABLE PRODUCT AND VARIOUS SPECIFICATIONS

梱包仕様書 PACKAGING SPECIFICATION	PART NUMBER	SPECIFICATION NUMBER
	51163**0*	511639200-SPK 200

適合端子 APPLICABLE TERMINAL	PART NUMBER	PLATING TYPE	WIRE SIZE(AWG)
	507528200	TIN	#20-#22
	507528400	TIN	#24-#26

適合リテーナー APPLICABLE RETAINER	51164			
シリーズ番号 SERIES No.				
適合嵌合相手 MATE WITH	THROUGH HOLE		SURFACE MOUNT	
	VERTICAL	VERTICAL (FOR POTTING)	RIGHT ANGLE	VERTICAL
	TIN PLATING		TIN PLATING	TIN PLATING
	53375 53476	53517	53426	215931 215932
製品仕様書 PRODUCT SPECIFICATION	511630000-PS PS 000			
取扱説明書 APPLICATION SPECIFICATION	2166940000-AS PS 000			

製品嵌合図は各"適合嵌合相手"図面参照のこと
 MATING VIEW : REFER TO EACH "MATE WITH" PART DRAWING.



圧着ケーブル挿入方向
 HARNESS ASSY INSERTION DIRECTION

黒 BLACK	ナチュラル(白) NATURAL(WHITE)	ハウジング色 HOUSING COLOR
PA GF0, UL94 V-0	PBT GF0, UL94 V-0	樹脂種 RESIN TYPE
511631541	511631500	15
511631441	511631400	14
511631341	511631300	13
511631241	511631200	12
511631141	511631100	11
511631041	511631000	10
511630941	511630900	9
511630841	511630800	8
511630741	511630700	7
511630641	511630600	6
511630541	511630500	5
511630441	511630400	4
511630341	511630300	3
511630241	511630200	2
発注番号 ORDER NO.		極数 CIRCUIT SIZE

THIS DRAWING CONTAINS INFORMATION THAT IS PROPRIETARY TO MOLEX ELECTRONIC TECHNOLOGIES, LLC AND SHOULD NOT BE USED WITHOUT WRITTEN PERMISSION									
DIMENSION UNITS mm	SCALE NTS	CURRENT REV DESC:			molex				
GENERAL TOLERANCES (UNLESS SPECIFIED)		EC NO: 652870							
ANGULAR TOL	± 3.0°	DRWN: MIKEDA01 2023/03/27			MINI-LOCK 2.5 SINGLE ROW RECEPTACLE HOUSING WITH RETAINER				
4 PLACES	± 0.2	CHK'D: SAKIYAMA 2023/05/11							
3 PLACES	± 0.2	APPR: AIDA 2023/05/15			PRODUCT CUSTOMER DRAWING				
2 PLACES	± 0.2	INITIAL REVISION:							
1 PLACE	± 0.2	DRWN: RWATANABE01 2019/04/22			DOCUMENT NUMBER		DOC TYPE	DOC PART	REVISION
0 PLACES	± 0.2	APPR: SAKIYAMA 2020/09/28			511630000-SD		PSD	000	B
DRAFT WHERE APPLICABLE MUST REMAIN WITHIN DIMENSIONS	THIRD ANGLE PROJECTION	DRAWING	SERIES	MATERIAL NUMBER	CUSTOMER		SHEET NUMBER		
		A2-SIZE	51163	3	GENERAL		2 OF 2		

- IPC 1752A Class D
- Molex Product Compliance Declaration
- IEC-62474
- chemSHERPA (xml)

欧盟 RoHS 合格证书

产品详情

常规

状态	活动
类别	Connector Housings
系列	51036
说明	4.00mm Pitch Board-in Housing, Vertical, 2 Circuits, Natural
应用	Signal
产品系列	Board-in Connectors
产品名称	Board-in
UPC	800753616363

物理

电路数 (最多)	2
颜色-树脂	Natural
性别	不适用
符合灼热丝规范	否
材料 - 树脂	Nylon
净重	152.000/mg
行数	1
包装形式	Bag
面板安装式	否
间距 - 插配接口	4.00mm
可堆叠的	是
运行温度范围	-40° to +105° C

可连接使用部件

描述	产品编号
----	------

2.50mm Pitch Board-in Male Crimp Terminals	<u>50098</u>
---	--------------

This document was generated on Feb 28, 2024