



产品编号 : [511101851](#)

Product Description : 2.00mm Pitch, Milli-Grid Receptacle Housing, 18 Circuits, with Center Polarization Key, with Locking Ramp, Lead-Free

系列号 : 51110

状态 : Active

Product Category : Connector Housings



---

## 文件和资源

### 图纸

[图纸 511101851\\_sd.pdf](#)

[包装设计图 PK-51110-300-001.pdf](#)

### 3D 模型和设计文件

[3D模型 511101851\\_stp.zip](#)

### 规格


[应用规格 503940001-AS-000.pdf](#)

[产品规格 PS-51110-001-001.pdf](#)

---

## 产物环境合规

### 合规

|                    |   |
|--------------------|---|
| GADSL/IMDS         | Not Relevant  |
| China RoHS         |  |
| EU ELV             | Not Relevant  |
| Low-Halogen Status | Not Low-Halogen per IEC 61249-2-21  |
| REACH SVHC         | Not Contained per per D(2022)9120-DC (17 Jan 2023)                                    |
| EU RoHS            | Compliant per EU 2015/863   |

### [多部分产品合规性声明](#)

- Eu RoHS
- REACH SVHC
- Low-Halogen

### [多部分行业合规性文件](#)

- IPC 1752A Class C
- IPC 1752A Class D
- Molex Product Compliance Declaration
- IEC-62474
- chemSHERPA (xml)

欧盟 RoHS 合格证书

## 产品详情

### 常规

|      |  |
|------|--|
| 状态   | 活动   |
| 类别   | Connector Housings   |
| 系列   | 51110  |
| 说明   | 2.00mm Pitch, Milli-Grid Receptacle Housing, 18 Circuits, with Center Polarization Key, with Locking Ramp, Lead-Free |
| 应用   | Signal, Wire-to-Board  |
| 个评论  | Applicable Wire Ranges: 24-30 AWG (series 50394 terminal) and 22-28 AWG (series 87396 terminal)                      |
| 产品系列 | Milli-Grid Connector System  |
| 产品名称 | Milli-Grid   |
| UPC  | 800753630505   |

### 机构

|     |         |
|-----|---------|
| CSA | LR19980 |
| UL  | E29179  |

### 物理

|          |            |
|----------|------------|
| 电路数 (最多) | 18         |
| 颜色-树脂    | 黑色         |
| 阻燃性      | 94V-0      |
| 性别       | Receptacle |
| 符合灼热丝规范  | 否          |
| 插接极性     | 是          |
| 锁定插接部位   | 是          |
| 材料 - 树脂  | Polyester  |

|           |                 |
|-----------|-----------------|
| 净重        | 0.381/g         |
| 行数        | 2               |
| 包装形式      | Bag             |
| 面板安装式     | 否               |
| 间距 - 插配接口 | 2.00mm          |
| 间距 - 终端界面 | 2.00mm          |
| 有极性的插配件   | 是               |
| 可堆叠的      | 否               |
| 运行温度范围    | -40° to +105° C |

## 可配插/可连接使用的产品

### 可配插部件

| 描述  | 产品编号          |
|---|---------------|
| Milli-Grid Vertical Through Hole Headers                | <u>87758</u>  |
| Milli-Grid Vertical Surface Mount Headers               | <u>87759</u>  |
| Milli-Grid Right-Angle Through Hole Headers             | <u>87760</u>  |
| Milli-Grid Vertical, Dual Row, Through Hole Headers     | <u>87831</u>  |
| Milli-Grid Vertical, Dual Row, Surface Mount Headers    | <u>87832</u>  |
| Milli-Grid BMI Vertical, Dual Row, Through Hole Headers | <u>151013</u> |
| Milli-Grid Vertical, Dual Row, Through Hole Headers     | <u>151117</u> |
| Milli-Grid Vertical, Dual Row, Surface Mount Headers    | <u>151118</u> |
| Milli-Grid Right-Angle, Dual Row, Through Hole Headers  | <u>151119</u> |
| Milli-Grid Right-Angle, Dual Row, Surface Mount Headers | <u>151120</u> |

### 可连接使用部件

| 描述   | 产品编号   |
|--|--|
| Pre-Crimped Lead Milli-Grid Female-to-Milli-Grid Female, Gold (Au) Plating, 150.00mm Length, 24 AWG, Black | <u><a href="/content/molex/molex-dot-com/cn/zh/products/product-page.html/797581095.html">/content/molex/molex-dot-com/cn/zh/products/product-page.html/797581095.html</a></u> |

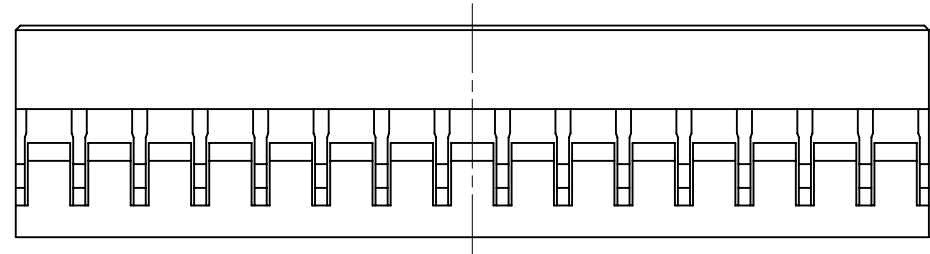
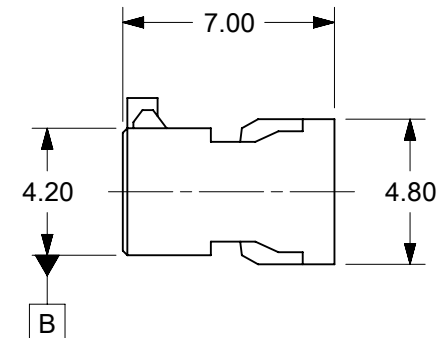
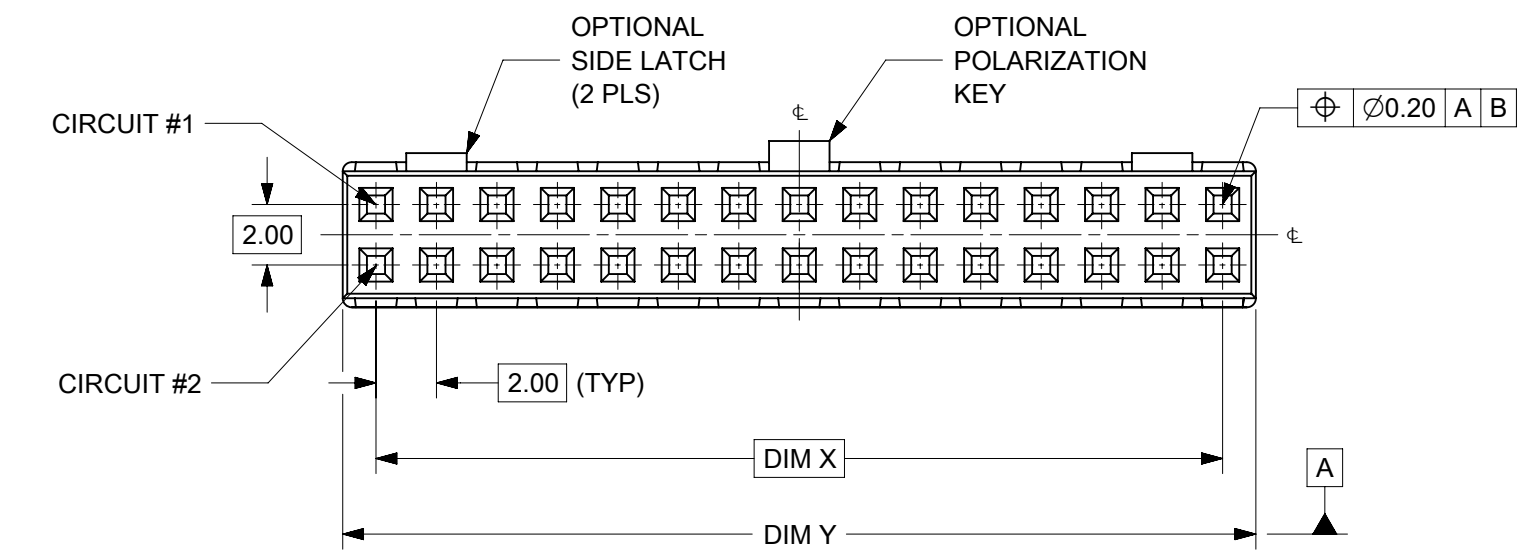
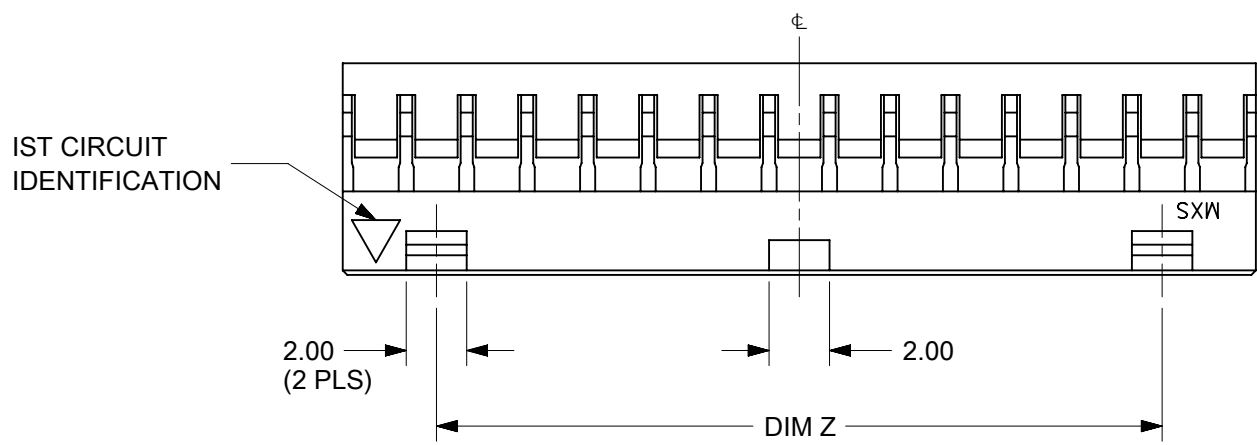
|  |   |
|--|---|
| Pre-Crimped Lead Milli-Grid Female-to-Milli-Grid Female, Gold (Au) Plating, 300.00mm Length, 24 AWG, Black | <a href="/content/molex/molex-dot-com/cn/zh/products/product-page.html/797581096.html">/content/molex/molex-dot-com/cn/zh/products/product-page.html/797581096.html</a> |
| Milli-Grid Female Crimp Terminals  | <u>50394</u>  |
| Milli-Grid Female Crimp Terminals  | <u>87396</u>  |

---

## 施工工具

### 全局

| 描述   | 产品编号              |
|--|-------------------|
| Extractor Tool for Milli-Grid 2.0 Housings | <u>0638242800</u> |



- NOTES:
1. MATERIAL: GLASS-FILLED POLYESTER UL RATED 94V-0  
COLOR: BLACK
  2. PART TO BE USED WITH CRIMP TERMINAL  
PART NUMBER 50394-8\*\*\* AND 87396-\*\*\*\*
  3. APPLICABLE WIRE RANGE:  
FOR 50394 SERIES, AWG #24 - #30,  
FOR 87396 SERIES, AWG #22 - #28.
  4. WIRE INSULATION RANGE: DIAMETER 1.40MM MAXIMUM.
  5. 30 CKT SHOWN FOR ILLUSTRATION ONLY.

|  |   |                        |  |              |  |                         |                     |       |   |  |  |
|--|---|------------------------|--|--------------|--|-------------------------|---------------------|-------|---|--|--|
| FUNCTIONAL SYMBOLS                                   | THIS DRAWING CONTAINS INFORMATION THAT IS PROPRIETARY TO MOLEX ELECTRONIC TECHNOLOGIES, LLC AND SHOULD NOT BE USED WITHOUT WRITTEN PERMISSION |                        | CURRENT REV DESC: RE-MASTERED IN NX/ECTR |              |  |                         |                     |       |   |  |  |
|  | FUNCTIONAL SYMBOLS  | DIMENSION UNITS        |  |              |  |                         |                     | SCALE | EC NO: 672815<br>DRWN: ABABUPS 2021/04/27<br>CHK'D: MRAMAKRISHNA 2021/08/06<br>APPR: MRAMAKRISHNA 2021/08/06<br>INITIAL REVISION:<br>DRWN: SKTOH 1993/10/26<br>APPR: LBLEE 2014/07/22 |  |  |
|  | GENERAL TOLERANCES (UNLESS SPECIFIED)   | mm NTS                 |  |              |  |                         |                     |       |   |  |  |
|  | ANGULAR TOL ± 3.0°  | 4 PLACES ±             |  |              |  |                         |                     |       |   |  |  |
| DIVISIONAL SYMBOLS                                   | 3 PLACES ±  | 2 PLACES ± 0.2         | 1 PLACE ±                                | 0 PLACES ±   | PRODUCT CUSTOMER DRAWING<br>DOCUMENT NUMBER SD-51110-XX5X DOC TYPE PSD DOC PART 001 REVISION B10 |                         |                     |       |   |  |  |
| DRAFT WHERE APPLICABLE MUST REMAIN WITHIN DIMENSIONS |   | THIRD ANGLE PROJECTION | DRAWING B-SIZE                           | SERIES 51110 | MATERIAL NUMBER SEE TABLE  | CUSTOMER GENERAL MARKET | SHEET NUMBER 1 OF 2 |       |   |  |  |

WITHOUT CENTER POLARIZATION KEY & SIDE LATCHES

| PART NUMBER | CKT SIZE | DIM X | DIM Y |
|-------------|----------|-------|-------|
| 51110-0450  | 4        | 2.00  | 4.20  |
| 51110-0650  | 6        | 4.00  | 6.20  |
| 51110-0850  | 8        | 6.00  | 8.20  |
| 51110-1050  | 10       | 8.00  | 10.20 |
| 51110-1250  | 12       | 10.00 | 12.20 |
| 51110-1450  | 14       | 12.00 | 14.20 |
| 51110-1650  | 16       | 14.00 | 16.20 |
| 51110-1850  | 18       | 16.00 | 18.20 |
| 51110-2050  | 20       | 18.00 | 20.20 |
| 51110-2250  | 22       | 20.00 | 22.20 |
| 51110-2450  | 24       | 22.00 | 24.20 |
| 51110-2650  | 26       | 24.00 | 26.20 |
| 51110-2850  | 28       | 26.00 | 28.20 |
| 51110-3050  | 30       | 28.00 | 30.20 |
| 51110-3250  | 32       | 30.00 | 32.20 |
| 51110-3450  | 34       | 32.00 | 34.20 |

WITH CENTER POLARIZATION KEY & SIDE LATCHES

| PART NUMBER | CKT SIZE | DIM X | DIM Y | DIM Z |
|-------------|----------|-------|-------|-------|
| 51110-1451  | 14       | 12.00 | 14.20 | 8.00  |
| 51110-1651  | 16       | 14.00 | 16.20 | 10.00 |
| 51110-1851  | 18       | 16.00 | 18.20 | 12.00 |
| 51110-2051  | 20       | 18.00 | 20.20 | 14.00 |
| 51110-2251  | 22       | 20.00 | 22.20 | 16.00 |
| 51110-2451  | 24       | 22.00 | 24.20 | 18.00 |
| 51110-2651  | 26       | 24.00 | 26.20 | 20.00 |
| 51110-2851  | 28       | 26.00 | 28.20 | 22.00 |
| 51110-3051  | 30       | 28.00 | 30.20 | 24.00 |
| 51110-3251  | 32       | 30.00 | 32.20 | 26.00 |
| 51110-3451  | 34       | 32.00 | 34.20 | 28.00 |

WITH CENTER POLARIZATION KEY

| PART NUMBER | CKT SIZE | DIM X | DIM Y |
|-------------|----------|-------|-------|
| 51110-0452  | 4        | 2.00  | 4.20  |
| 51110-0652  | 6        | 4.00  | 6.20  |
| 51110-0851  | 8        | 6.00  | 8.20  |
| 51110-1051  | 10       | 8.00  | 10.20 |
| 51110-1251  | 12       | 10.00 | 12.20 |
| 51110-1452  | 14       | 12.00 | 14.20 |
| 51110-1652  | 16       | 14.00 | 16.20 |
| 51110-1852  | 18       | 16.00 | 18.20 |
| 51110-2052  | 20       | 18.00 | 20.20 |
| 51110-2252  | 22       | 20.00 | 22.20 |

PART NUMBER LEGEND:

51110 - \*\* 5 \*

CIRCUIT SIZE

0 - WITHOUT CENTER POLARIZATION KEY AND SIDE LATCH.

1 - WITH CENTER POLARIZATION KEY AND SIDE LATCH.  
(14 TO 34 CIRCUITS ONLY)  
WITH CENTER POLARIZATION KEY ONLY.  
(8 TO 12 CIRCUITS ONLY)

2 - WITH CENTER POLARIZATION KEY ONLY.  
(4 TO 6 CIRCUITS AND 14 TO 22 CIRCUITS ONLY)

|                    |   |  |  |                        |  |                |          |          |              |
|--------------------|---|--|--|------------------------|--|----------------|----------|----------|--------------|
| FUNCTIONAL SYMBOLS | THIS DRAWING CONTAINS INFORMATION THAT IS PROPRIETARY TO MOLEX ELECTRONIC TECHNOLOGIES, LLC AND SHOULD NOT BE USED WITHOUT WRITTEN PERMISSION |  | CURRENT REV DESC: RE-MASTERED IN NX/ECTR   |                        | <b>molex</b>   |                |          |          |              |
|                    | DIMENSION UNITS   | SCALE  |  |                        |  |                |          |          |              |
| $\nabla/A = 0$     | mm  | NTS  | EC NO: 672815<br>DRWN: ABABUPS 2021/04/27<br>CHK'D: MRAMAKRISHNA 2021/08/06<br>APPR: MRAMAKRISHNA 2021/08/06 |                        | 2MM GRID, WIRE TO BOARD CONNECTOR, CRIMP RECEPT. HOUSING |                |          |          |              |
| $\nabla/E = 0$     | GENERAL TOLERANCES (UNLESS SPECIFIED)   |  |  |                        |  |                |          |          |              |
| $\nabla/P = 0$     | ANGULAR TOL ± 3.0°  |  |  |                        |  |                |          |          |              |
| DIVISIONAL SYMBOLS | 4 PLACES  | ±  | INITIAL REVISION:<br>DRWN: SKTOH 1993/10/26<br>APPR: LBLEE 2014/07/22  |                        | DOCUMENT NUMBER  | DOC TYPE       | DOC PART | REVISION |              |
|                    | 3 PLACES  | ±  |  |                        | SD-51110-XX5X  | PSD            | 001      | B10      |              |
|                    | 2 PLACES  | ± 0.2  |  |                        | MATERIAL NUMBER  |                | CUSTOMER |          | SHEET NUMBER |
|                    | 1 PLACE   | ±  |  |                        | SEE TABLE  | GENERAL MARKET |          | 2 OF 2   |              |
| 0 PLACES           | ±   | DRAFT WHERE APPLICABLE MUST REMAIN WITHIN DIMENSIONS |  | THIRD ANGLE PROJECTION | DRAWING  | SERIES         |          |          |              |
|                    |   |  |  |                        | A3-SIZE  | 51110          |          |          |              |