



产品编号 : 511100460

Product Description : 2.00mm Pitch, Milli-Grid Receptacle Housing, 4 Circuits, without Center Polarization Key, with Locking Ramp, Lead-Free

系列号 : 51110

状态 : Active

Product Category : Connector Housings

文件和资源

图纸

图纸 511100460_sd.pdf

包装设计图 PK-51110-300-001.pdf

3D 模型和设计文件

3D模型 511100460_stp.zip


规格

应用规格 503940001-AS-000.pdf

产品规格 PS-51110-001-001.pdf

产物环境合规

合规

GADSL/IMDS	Not Relevant
China RoHS	
EU ELV	Not Relevant
Low-Halogen Status	Not Low-Halogen per IEC 61249-2-21
REACH SVHC	Not Contained per D(2023)8585-DC (23 Jan 2024)
EU RoHS	Compliant per EU 2015/863

多部分产品合规性声明

- Eu RoHS
- REACH SVHC
- Low-Halogen

- IPC 1752A Class C
- IPC 1752A Class D
- Molex Product Compliance Declaration

- IEC-62474

- chemSHERPA (xml)

欧盟 RoHS 合格证书

产品详情

常规

状态	活动
类别	Connector Housings
系列	51110
说明	2.00mm Pitch, Milli-Grid Receptacle Housing, 4 Circuits, without Center Polarization Key, with Locking Ramp, Lead-Free
应用	Signal, Wire-to-Board
个评论	Applicable Wire Ranges: 24-30 AWG (series 50394 terminal) and 22-28 AWG (series 87396 terminal)
产品系列	Milli-Grid Connector System
产品名称	Milli-Grid
UPC	800755558142

机构

CSA	LR19980
UL	E29179

物理

电路数 (最多)	4
颜色-树脂	黑色
阻燃性	94V-0
性别	Receptacle
符合灼热丝规范	否
插接极性	无
锁定插接部位	是
材料 - 树脂	Polyester
净重	0.080/g
行数	2
包装形式	Bag

面板安装式	否
间距 - 插配接口	2.00mm
间距 - 终端界面	2.00mm
有极性的插配件	是
可堆叠的	否
运行温度范围	-40° to +105° C

进程

无铅	不适用
----	-----

可配插/可连接使用的产品

可配插部件

描述	产品编号
Milli-Grid Vertical Through Hole Headers	<u>87758</u>
Milli-Grid Vertical Surface Mount Headers	<u>87759</u>
Milli-Grid Right-Angle Through Hole Headers	<u>87760</u>
Milli-Grid Vertical, Dual Row, Through Hole Headers	<u>87831</u>
Milli-Grid Vertical, Dual Row, Surface Mount Headers	<u>87832</u>
Milli-Grid BMI Vertical, Dual Row, Through Hole Headers	<u>151013</u>
Milli-Grid Vertical, Dual Row, Through Hole Headers	<u>151117</u>
Milli-Grid Vertical, Dual Row, Surface Mount Headers	<u>151118</u>
Milli-Grid Right-Angle, Dual Row, Through Hole Headers	<u>151119</u>
Milli-Grid Right-Angle, Dual Row, Surface Mount Headers	<u>151120</u>
Milli-Grid Right-Angle Dual Row Through Hole Headers	<u>87833</u>

可连接使用部件

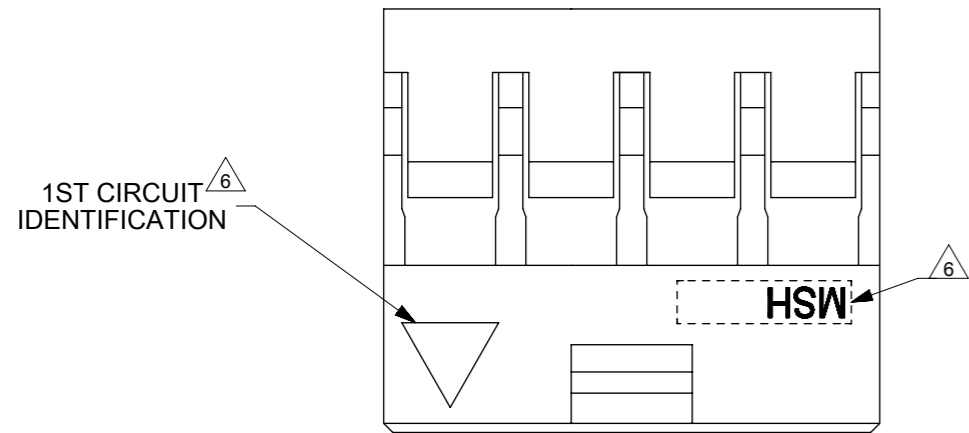
描述	产品编号
----	------

Pre-Crimped Lead Milli-Grid Female-to-Milli-Grid Female, Gold (Au) Plating, 150.00mm Length, 24 AWG, Black	/content/molex/molex-dot-com/cn/zh/products/product-page.html/797581095.html
Pre-Crimped Lead Milli-Grid Female-to-Milli-Grid Female, Gold (Au) Plating, 300.00mm Length, 24 AWG, Black	/content/molex/molex-dot-com/cn/zh/products/product-page.html/797581096.html
Milli-Grid Female Crimp Terminals	<u>50394</u>
Milli-Grid Female Crimp Terminals	<u>87396</u>

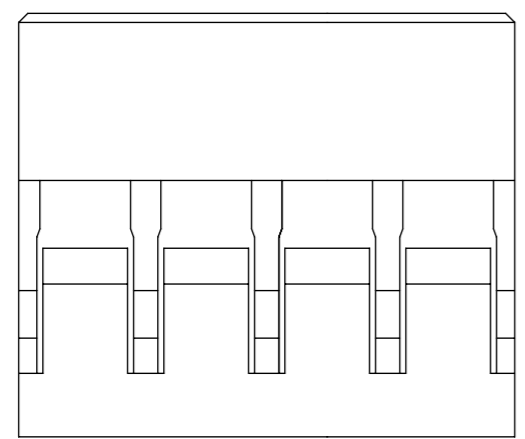
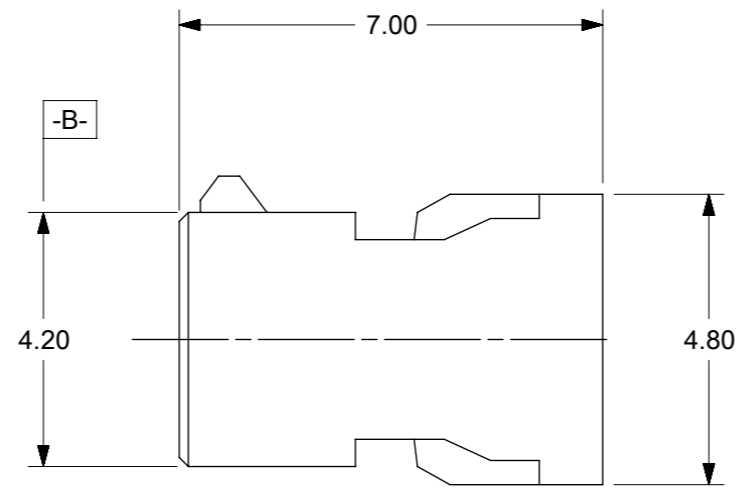
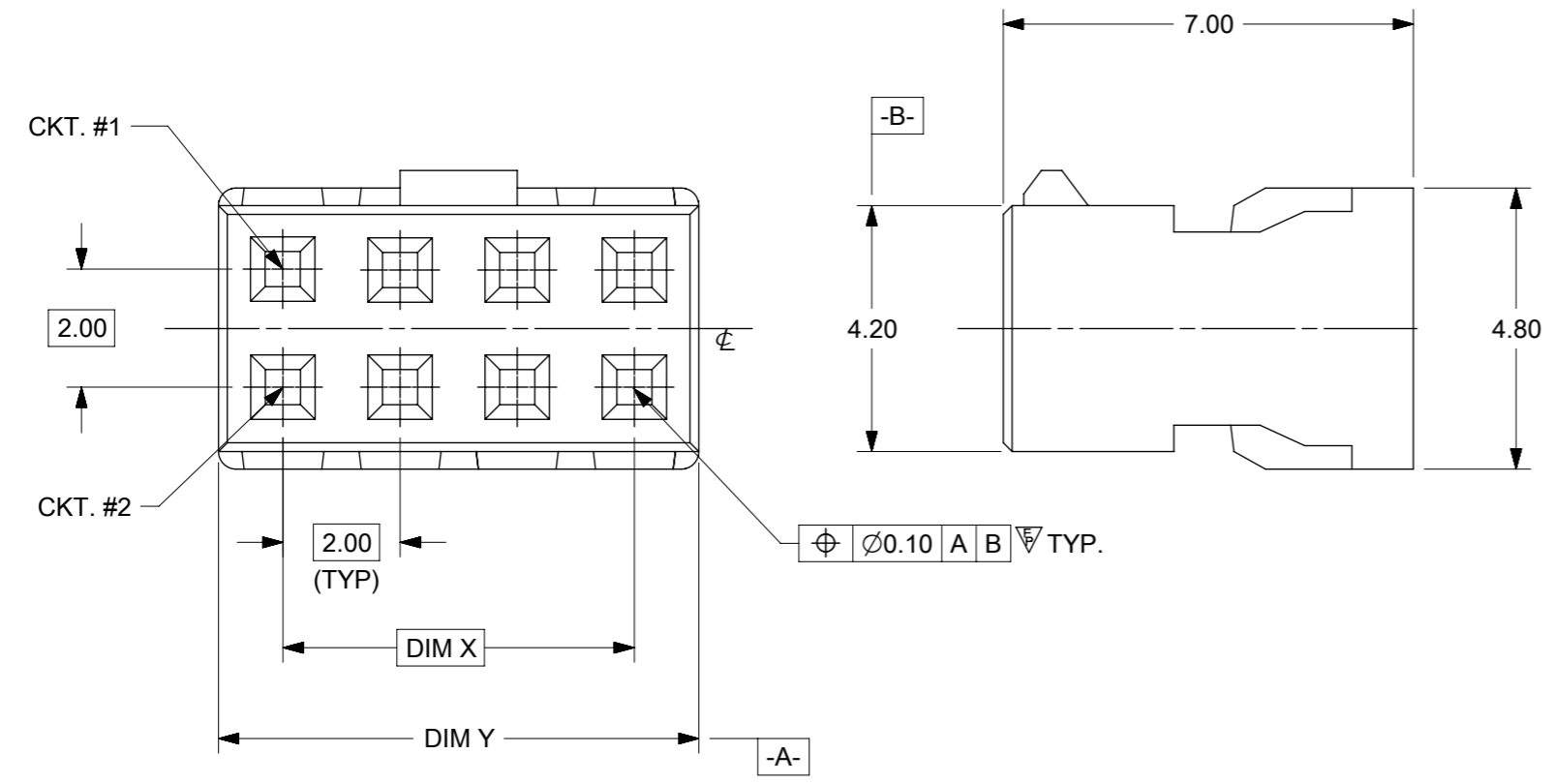
施工工具

全局

描述	产品编号
Extractor Tool for Milli-Grid 2.0 Housings	<u>638242800</u>



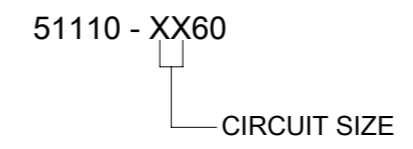
1ST CIRCUIT IDENTIFICATION



PART NUMBERS WITHOUT VOID CIRCUIT OPTION

PART NUMBER	CKT SIZE	DIM X	DIM Y
51110-0460	4	2.00	4.20
51110-0660	6	4.00	6.20
51110-0860	8	6.00	8.20
51110-1060	10	8.00	10.20
51110-1260	12	10.00	12.20

LEGENDRAY FOR WITH OUT VOIDED CKT



PART NUMBERS WITH VOID CIRCUIT OPTION

VOIDED CKT	PART NUMBER	CKT SIZE	DIM X	DIM Y
51110-1261	51110-0460	4	2.00	4.20

NOTES :

- MATERIAL : GLASS FILLED POLYESTER UL RATED 94V-0, COLOUR BLACK.
- FOR ILLUSTRATION PURPOSES, 8CKT SIZE HOUSING IS AS SHOWN.
- PARTS TO BE USED WITH CRIMP TERMINAL PART NUMBER: 50394-8***.
- APPLICABLE WIRE RANGE : AWG # 24 - #30"
- WIRE INSULATION RANGE : DIAMETER 1.40mm MAXIMUM.

6. MSH LOGO, CAVITY ID AND 1ST CKT IDENTIFICATION TO BE LOCATED APPROXIMATELY AS SHOWN.

THIS DRAWING CONTAINS INFORMATION THAT IS PROPRIETARY TO MOLEX ELECTRONIC TECHNOLOGIES, LLC AND SHOULD NOT BE USED WITHOUT WRITTEN PERMISSION									
DIMENSION UNITS mm		SCALE NTS		CURRENT REV DESC: REDRAWN AND REVISED				molex	
GENERAL TOLERANCES (UNLESS SPECIFIED)				EC NO: 608139					
				DRWN: RMV02		2018/10/04		2MM GRID,WTB CONN. CRIMP RECEPT. HSG.	
				CHK'D: GJEEVANSURES		2018/12/19			
				APPR: ISHWARG		2018/12/20		PRODUCT CUSTOMER DRAWING	
				INITIAL REVISION:				DOCUMENT NUMBER	
				DRWN: SEE				SD-51110-XX60	
				APPR:				PSD 001 B	
DRAFT WHERE APPLICABLE MUST REMAIN WITHIN DIMENSIONS		THIRD ANGLE PROJECTION		DRAWING		SERIES		MATERIAL NUMBER	
				A3-SIZE		51110		SEE TABLE	
				CUSTOMER		GENERAL MARKET		SHEET NUMBER	
								1 OF 1	