

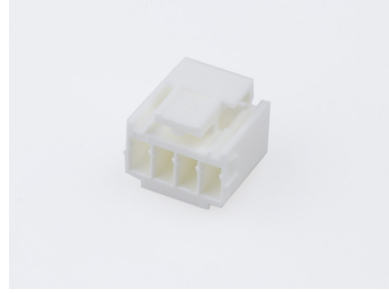
产品编号 : [511630400](#)

Product Description : 2.50mm Pitch, Mini-Lock Receptacle Crimp Housing, Single Row, Positive Lock, 4 Circuits, Natural

系列号 : 51163

状态 : Active

Product Category : Connector Housings



文件和资源

图纸

[图纸 511630400_sd.pdf](#)

3D 模型和设计文件

[2D 图纸 DXF 511630400.dxf](#)

[2D 图纸 DXF PDF 511630400.pdf](#)

[3D模型 511630400_stp.zip](#)

规格


[包装规格 511639200-SPK-200.pdf](#)

[产品规格 511630000-PS-000.pdf](#)

[产品规格 511631000-PS-000.pdf](#)

产物环境合规

合规

| | |
|--------------------|---|
| GADSL/IMDS | Not Relevant |
| China RoHS |  |
| EU ELV | Not Relevant |
| Low-Halogen Status | Not Low-Halogen per IEC 61249-2-21 |
| REACH SVHC | Not Contained per D(2023)3788-DC (14 Jun 2023) |
| EU RoHS | Compliant per EU 2015/863 |

多部分产品合规性声明

- Eu RoHS
- REACH SVHC
- Low-Halogen

多部分行业合规性文件

- IPC 1752A Class C
- IPC 1752A Class D
- Molex Product Compliance Declaration
- IEC-62474
- chemSHERPA (xml)

欧盟 RoHS 合格证书

产品详情

常规

| | |
|------|--|
| 状态 | 活动 |
| 类别 | Connector Housings |
| 系列 | 51163 |
| 说明 | 2.50mm Pitch, Mini-Lock Receptacle Crimp Housing, Single Row, Positive Lock, 4 Circuits, Natural |
| 应用 | Signal, Wire-to-Board |
| 个评论 | GWT performed on end product as per IEC 60695-2-11 |
| 产品系列 | Mini-Lock Wire-to-Board Connector System |
| 产品名称 | Mini-Lock |
| UPC | 800753325579 |

机构

| | |
|-----|---------|
| CSA | LR19980 |
| UL | E29179 |

物理

| | |
|---------|------------|
| 电路数（最多） | 4 |
| 颜色-树脂 | Natural |
| 阻燃性 | 94V-0 |
| 性别 | Receptacle |
| 符合灼热丝规范 | 是 |
| 插接极性 | 无 |
| 锁定插接部位 | 是 |
| 材料 - 树脂 | Polyester |

| | |
|-----------|-----------------|
| 净重 | 547.800/mg |
| 行数 | 1 |
| 包装形式 | Bag |
| 面板安装式 | 否 |
| 间距 - 插配接口 | 2.50mm |
| 可堆叠的 | 否 |
| 运行温度范围 | -55° to +105° C |

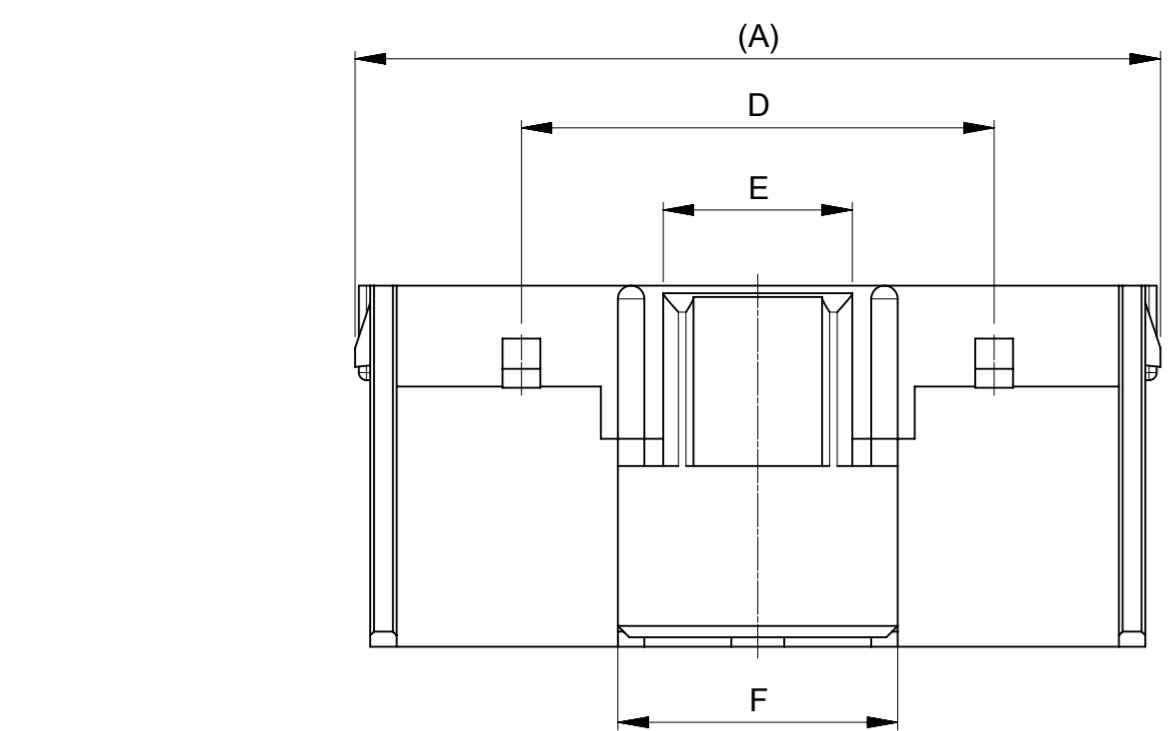
可配插/可连接使用的产品

可配插部件

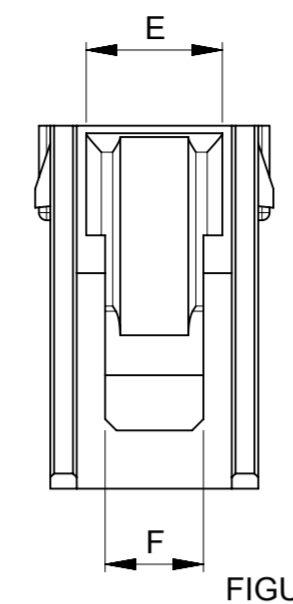
| 描述 | 产品编号 |
|--|---------------|
| Mini-Lock Vertical, Single Row, Surface Mount Headers | <u>215931</u> |
| Mini-Lock Vertical Single Row Headers | <u>53375</u> |
| Mini-Lock Vertical Single Row Headers | <u>53517</u> |
| Mini-Lock Right-Angle, Single Row, Surface Mount Headers | <u>215932</u> |
| Mini-Lock Right-Angle Single Row Headers | <u>53426</u> |

可连接使用部件

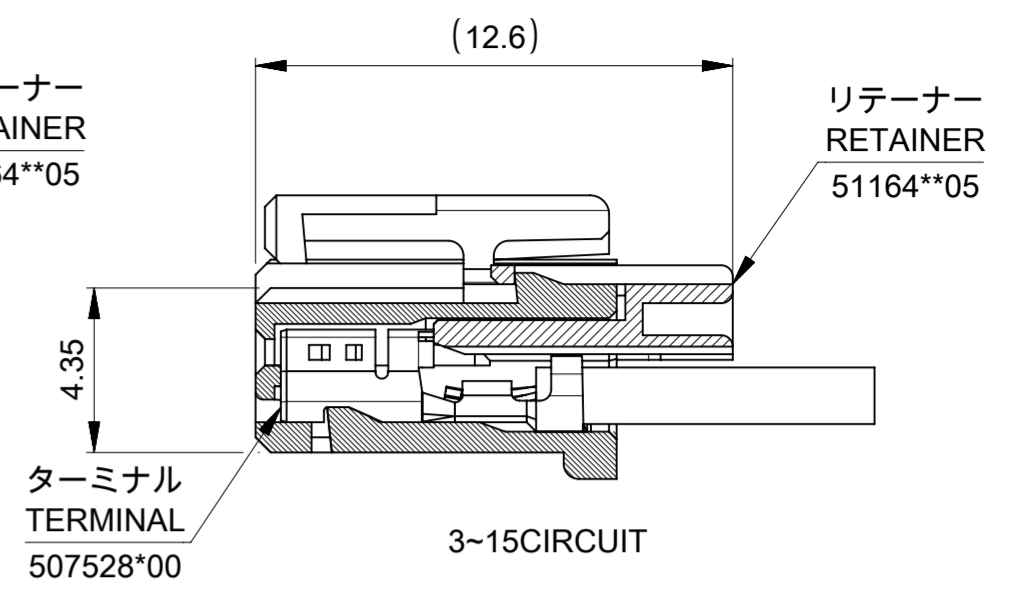
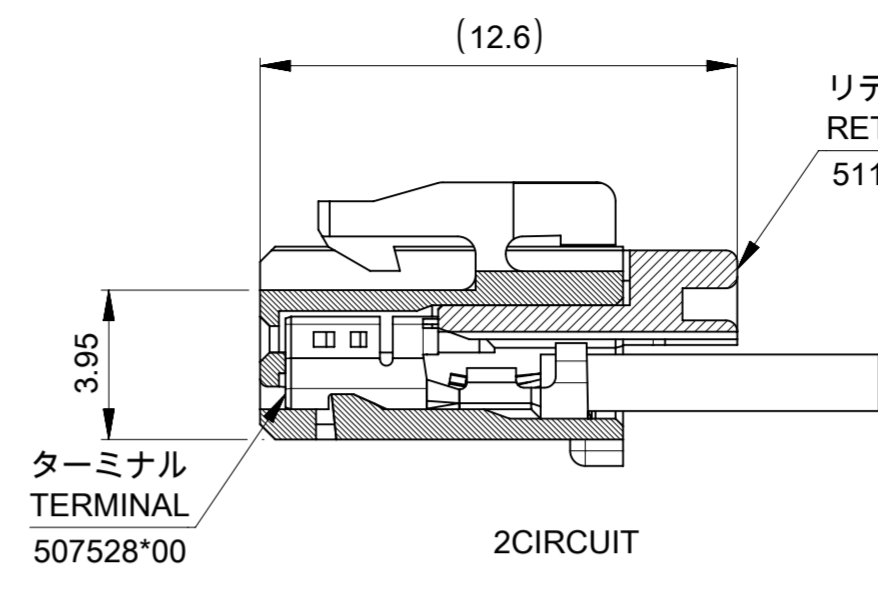
| 描述 | 产品编号 |
|---|--------------|
| Mini-Lock Female Crimp Terminals | <u>50752</u> |
| Mini-Lock Terminal Position Assurance (TPA) Retainers | <u>51164</u> |



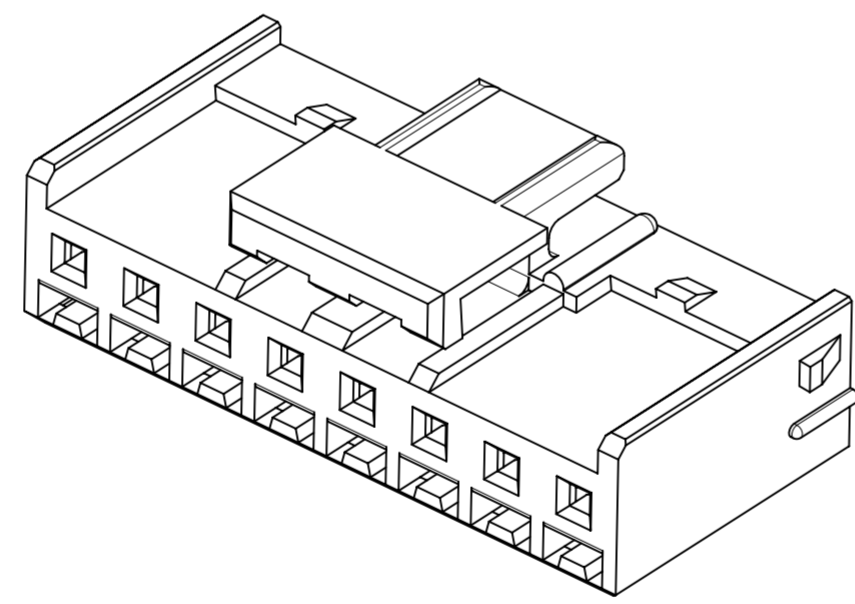
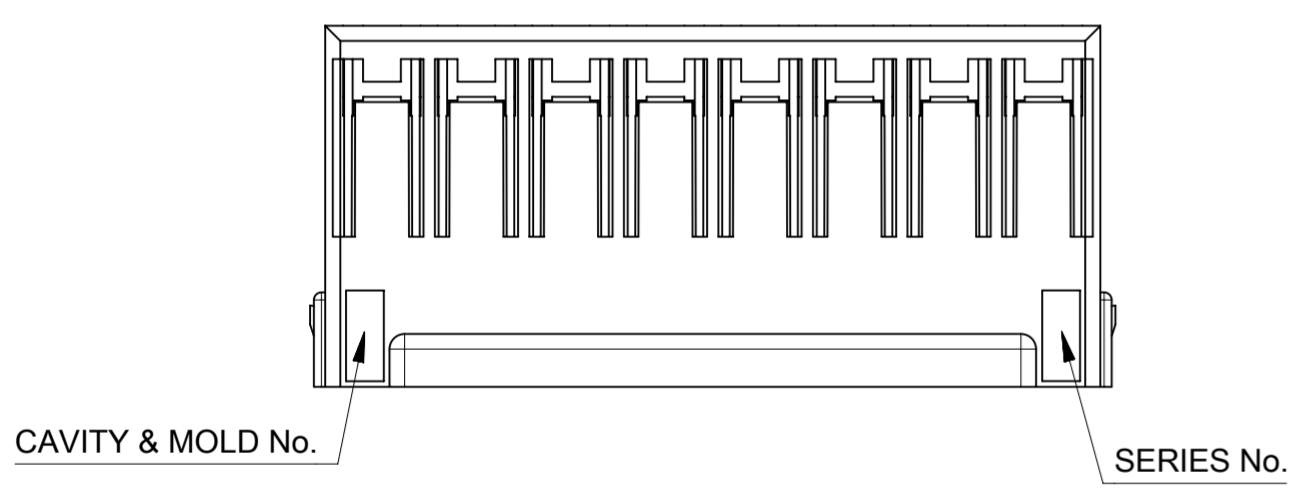
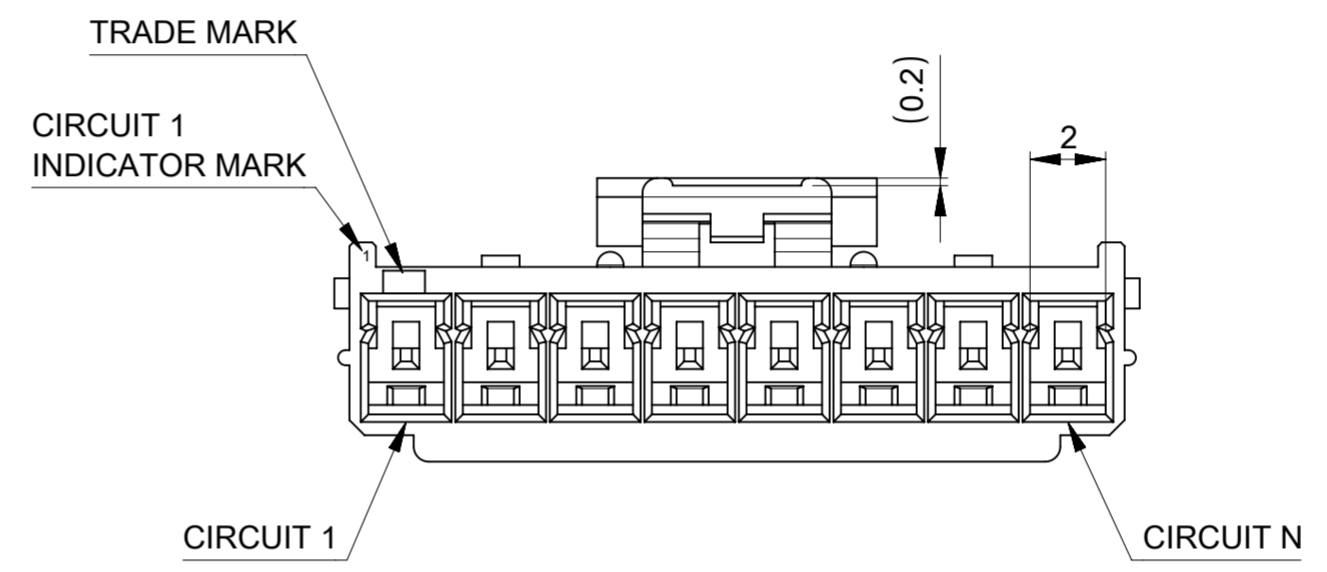
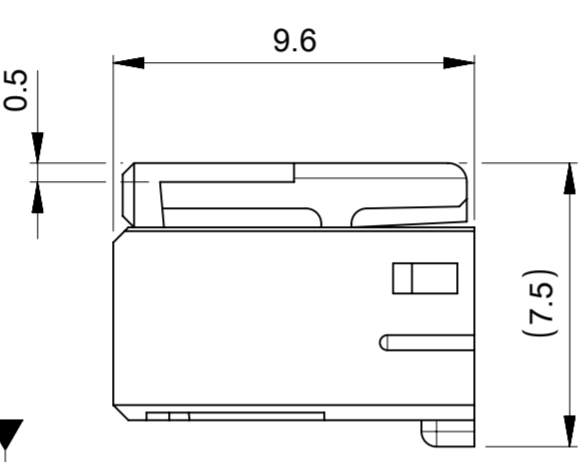
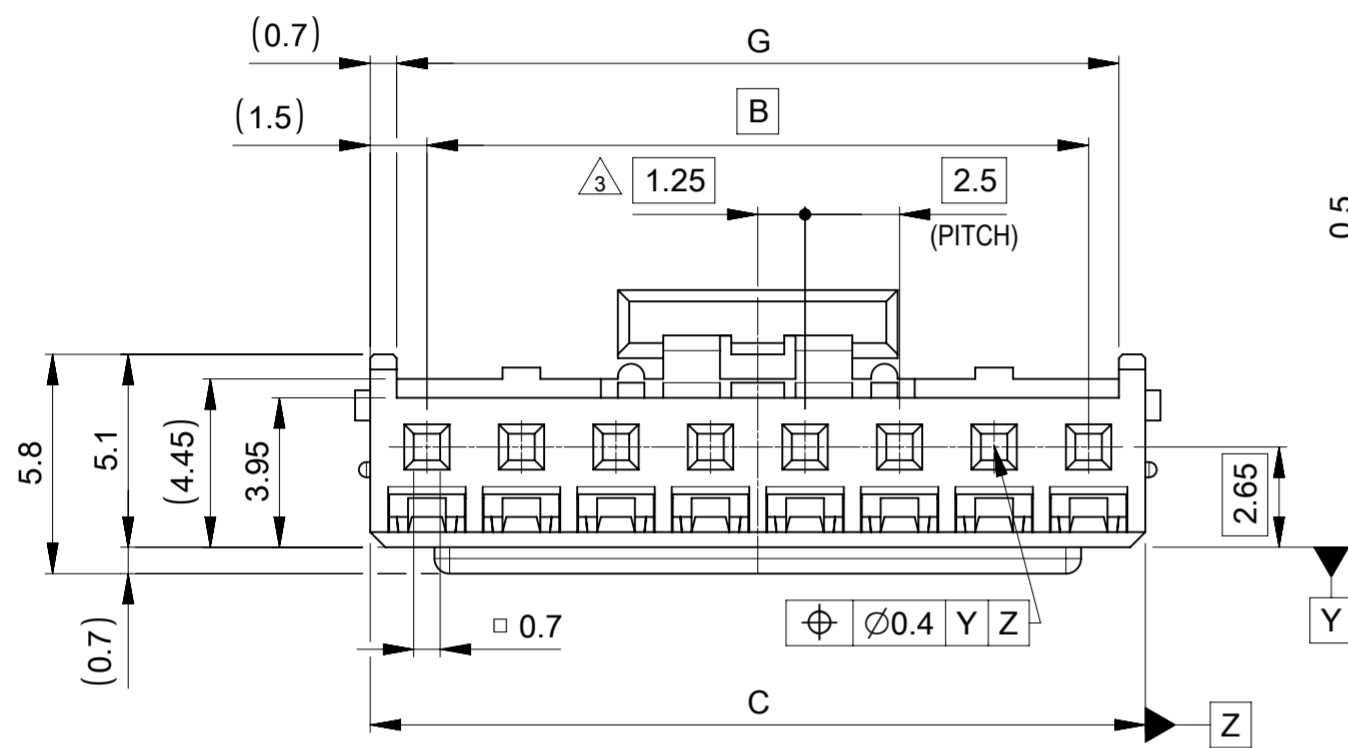
2極ロック形状
2CIRCUIT LOCK FORM



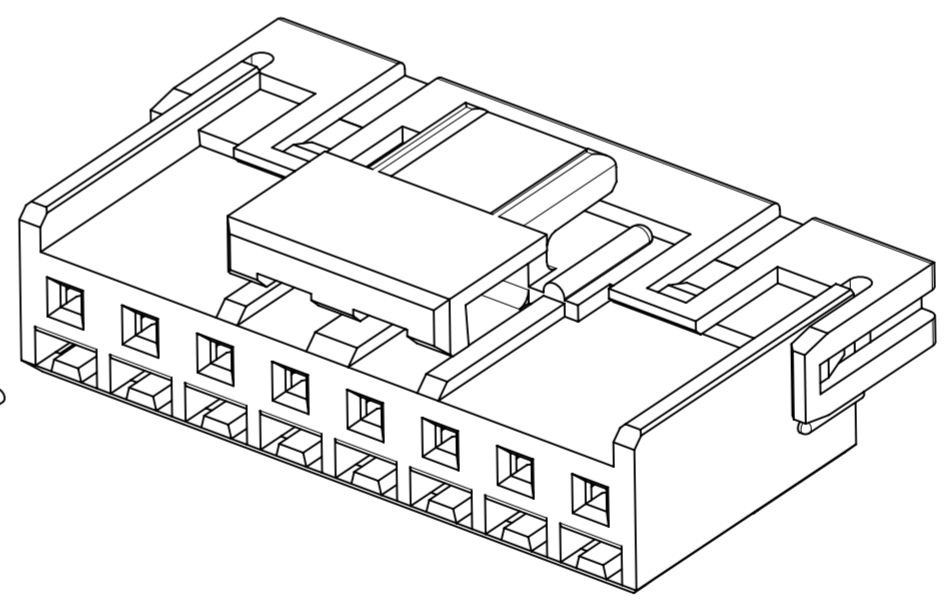
2極形状
FIGURE OF 2 CIRCUIT



ターミナル及びリテーナー装着状態図
TERMINAL AND RETAINER ASSEMBLY DRAWING



リテーナー未装着状態図
ASSEMBLY DRAWING



リテーナー装着状態図
RETAINER ASSEMBLY DRAWING

| | | | | | | | | |
|------|-----|-----|------|------|------|------|-------------------|--------------------|
| 36.6 | 7.4 | 5 | 12.5 | 38 | 35 | 38.8 | 5116315** | 15 |
| 34.1 | 7.4 | 5 | 12.5 | 35.5 | 32.5 | 36.3 | 5116314** | 14 |
| 31.6 | 7.4 | 5 | 12.5 | 33 | 30 | 33.8 | 5116313** | 13 |
| 29.1 | 7.4 | 5 | 12.5 | 30.5 | 27.5 | 31.3 | 5116312** | 12 |
| 26.6 | 7.4 | 5 | 12.5 | 28 | 25 | 28.8 | 5116311** | 11 |
| 24.1 | 7.4 | 5 | 12.5 | 25.5 | 22.5 | 26.3 | 5116310** | 10 |
| 21.6 | 7.4 | 5 | 12.5 | 23 | 20 | 23.8 | 5116309** | 9 |
| 19.1 | 7.4 | 5 | 12.5 | 20.5 | 17.5 | 21.3 | 5116308** | 8 |
| 16.6 | 7.4 | 5 | - | 18 | 15 | 18.8 | 5116307** | 7 |
| 14.1 | 7.4 | 5 | - | 15.5 | 12.5 | 16.3 | 5116306** | 6 |
| 11.6 | 7.4 | 5 | - | 13 | 10 | 13.8 | 5116305** | 5 |
| 9.1 | 7.4 | 5 | - | 10.5 | 7.5 | 11.3 | 5116304** | 4 |
| 6.6 | 5 | 3 | - | 8 | 5 | 8.8 | 5116303** | 3 |
| 4.1 | 2.6 | 3.6 | - | 5.5 | 2.5 | 6.3 | 5116302** | 2 |
| G | F | E | D | C | B | (A) | 発注番号 ORDER No. | 極数 CIRCUIT SIZE |

- NOTE
- △ 材料：TABLE1参照
MATERIAL:SEE TABLE1
 - △ 適合ハウジング, 嵌合相手, 関連ドキュメントについてはSHEET 2 を御参照ください。
PLEASE REFER TO SHEET 2 FOR APPLICABLE HOUSING, MATING PARTNER AND RELATED DOCUMENTS.
 - △ 偶数極に適用
APPLY FOR EVEN CIRCUIT.
 - 4. 本製品のプラスチック部に黒点等が確認される場合や、色合いが異なる場合が御座いますが、製品性能に影響は御座いません
THERE IS NO INFLUENCE IN THE PRODUCT PERFORMANCE IN CASE THAT THE BLACK SPOT OR BUBBLE ETC. MIGHT BE APPEARED ON THE PLASTIC PART OF THIS PRODUCT AND THE COLOR SHADE MIGHT BE DIFFERENT.
 - 5. GLOW WIRE TEST適合品
THIS PRODUCT IS GLOW WIRE TEST COMPATIBLE.

△ TABLE1

| 部品 PART | 材質 MATERIAL |
|------------------|---|
| ハウジング HOUSING | 51163**00 ポリエステル(PBT):ガラス非含有,UL94V-0,色:ナチュラル(白) POLYESTER(PBT):GLASS UNFILLED,UL94V-0,COLOR:NATURAL(WHITE) |
| | 51163**41 ポリアミド(PA):ガラス非含有,UL94V-0,色:黒 POLYAMIDE(PA):GLASS UNFILLED,UL94V-0,COLOR:BLACK |

| | | | |
|-----------------|----|--------------|---------------------|
| DOCUMENT STATUS | P1 | RELEASE DATE | 2023/05/15 02:57:18 |
|-----------------|----|--------------|---------------------|

THIS DRAWING CONTAINS INFORMATION THAT IS PROPRIETARY TO MOLEX ELECTRONIC TECHNOLOGIES, LLC AND SHOULD NOT BE USED WITHOUT WRITTEN PERMISSION

| | | |
|--|------------------------|------------------------------|
| DIMENSION UNITS | SCALE | CURRENT REV DESC: |
| mm | NTS | |
| GENERAL TOLERANCES (UNLESS SPECIFIED) | | |
| ANGULAR TOL | ± 3.0° | EC NO: 652870 |
| 4 PLACES | ± 0.2 | DRWN: MIKEDA01 2023/03/27 |
| 3 PLACES | ± 0.2 | CHK'D: SAKIYAMA 2023/05/11 |
| 2 PLACES | ± 0.2 | APPR: AIDA 2023/05/15 |
| 1 PLACE | ± 0.2 | INITIAL REVISION: |
| 0 PLACES | ± 0.2 | DRWN: RWATANABE01 2019/04/22 |
| | | APPR: SAKIYAMA 2020/09/28 |
| DRAFT WHERE APPLICABLE MUST REMAIN WITHIN DIMENSIONS | THIRD ANGLE PROJECTION | DRAWING SERIES |
| | | A2-SIZE 51163 |
| MATERIAL NUMBER | | CUSTOMER |
| 511630000-SD | | GENERAL |
| DOC TYPE | DOC PART | REVISION |
| PSD | 000 | B |
| SHEET NUMBER | | |
| 1 OF 2 | | |

molex

MINI-LOCK 2.5
SINGLE ROW RECEPTACLE HOUSING WITH
RETAINER

PRODUCT CUSTOMER DRAWING

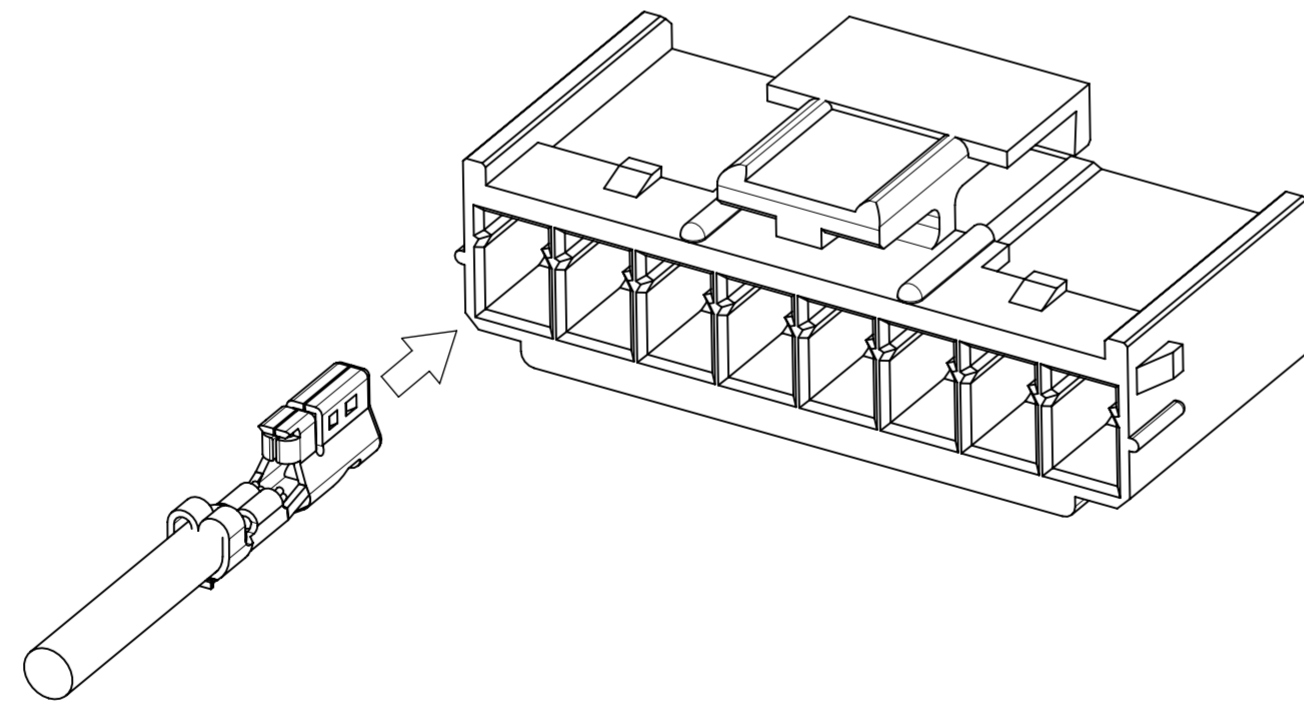
△ 適合製品及び各種仕様書
APPLICABLE PRODUCT AND VARIOUS SPECIFICATIONS

| | | |
|----------------------------------|-------------|----------------------|
| 梱包仕様書 PACKAGING SPECIFICATION | PART NUMBER | SPECIFICATION NUMBER |
| | 51163**0* | 511639200-SPK 200 |

| | | | |
|-----------------------------|-------------|--------------|----------------|
| 適合端子 APPLICABLE TERMINAL | PART NUMBER | PLATING TYPE | WIRE SIZE(AWG) |
| | 507528200 | TIN | #20-#22 |
| | 507528400 | TIN | #24-#26 |

| | | | | |
|------------------------------------|----------------------|------------------------|---------------|------------------|
| 適合リテーナー APPLICABLE RETAINER | 51164 | | | |
| シリーズ番号 SERIES No. | | | | |
| 適合嵌合相手 MATE WITH | THROUGH HOLE | | SURFACE MOUNT | |
| | VERTICAL | VERTICAL (FOR POTTING) | RIGHT ANGLE | VERTICAL |
| | TIN PLATING | | TIN PLATING | TIN PLATING |
| | 53375 53476 | 53517 | 53426 | 215931 215932 |
| 製品仕様書 PRODUCT SPECIFICATION | 511630000-PS PS 000 | | | |
| 取扱説明書 APPLICATION SPECIFICATION | 2166940000-AS PS 000 | | | |

製品嵌合図は各"適合嵌合相手"図面参照のこと
 MATING VIEW : REFER TO EACH "MATE WITH" PART DRAWING.

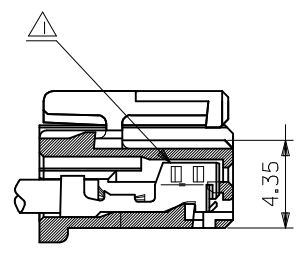
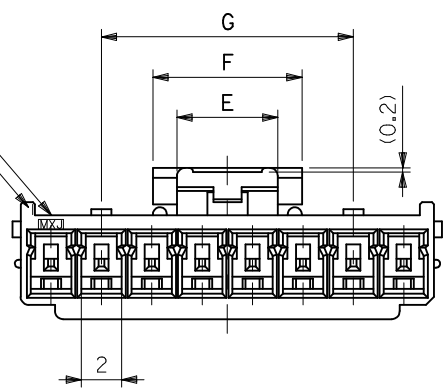


圧着ケーブル挿入方向
 HARNESS ASSY INSERTION DIRECTION

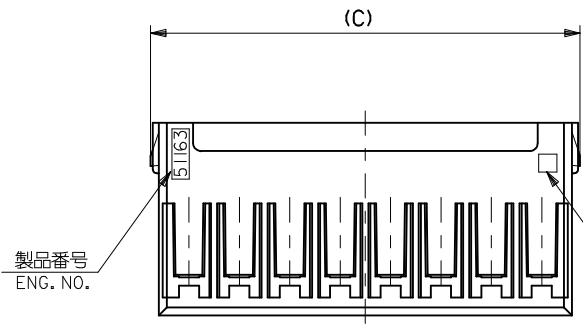
| | | |
|---------------------|----------------------------|-------------------------|
| 黒 BLACK | ナチュラル(白) NATURAL(WHITE) | ハウジング色 HOUSING COLOR |
| PA GF0, UL94 V-0 | PBT GF0, UL94 V-0 | 樹脂種 RESIN TYPE |
| 511631541 | 511631500 | 15 |
| 511631441 | 511631400 | 14 |
| 511631341 | 511631300 | 13 |
| 511631241 | 511631200 | 12 |
| 511631141 | 511631100 | 11 |
| 511631041 | 511631000 | 10 |
| 511630941 | 511630900 | 9 |
| 511630841 | 511630800 | 8 |
| 511630741 | 511630700 | 7 |
| 511630641 | 511630600 | 6 |
| 511630541 | 511630500 | 5 |
| 511630441 | 511630400 | 4 |
| 511630341 | 511630300 | 3 |
| 511630241 | 511630200 | 2 |
| 発注番号 ORDER NO. | | 極数 CIRCUIT SIZE |

| | | | | | | | | | |
|---|--------|---|------------|-----------------|-----------------|----------|----------|--------------|--|
| THIS DRAWING CONTAINS INFORMATION THAT IS PROPRIETARY TO MOLEX ELECTRONIC TECHNOLOGIES, LLC AND SHOULD NOT BE USED WITHOUT WRITTEN PERMISSION | | | | | | | | | |
| DIMENSION UNITS | SCALE | CURRENT REV DESC: | | | | | | | |
| mm | NTS | molex MINI-LOCK 2.5 SINGLE ROW RECEPTACLE HOUSING WITH RETAINER PRODUCT CUSTOMER DRAWING | | | | | | | |
| GENERAL TOLERANCES (UNLESS SPECIFIED) | | | | | | | | | |
| ANGULAR TOL | ± 3.0° | EC NO: 652870 | 2023/03/27 | DOCUMENT NUMBER | | | | | |
| 4 PLACES | ± 0.2 | DRWN: MIKEDA01 | 2023/05/11 | 511630000-SD | | DOC TYPE | DOC PART | REVISION | |
| 3 PLACES | ± 0.2 | CHK'D: SAKIYAMA | 2023/05/15 | PSD | | 000 | B | | |
| 2 PLACES | ± 0.2 | APPR: AIDA | | MATERIAL NUMBER | | CUSTOMER | | SHEET NUMBER | |
| 1 PLACE | ± 0.2 | INITIAL REVISION: | 2019/04/22 | 51163 | | GENERAL | | 2 OF 2 | |
| 0 PLACES | ± 0.2 | DRWN: RWATANABE01 | 2020/09/28 | DRAWING | | SERIES | | | |
| DRAFT WHERE APPLICABLE MUST REMAIN WITHIN DIMENSIONS | | THIRD ANGLE PROJECTION | DRAWING | SERIES | MATERIAL NUMBER | | CUSTOMER | | |
| | | | A2-SIZE | 51163 | 3 | | GENERAL | | |

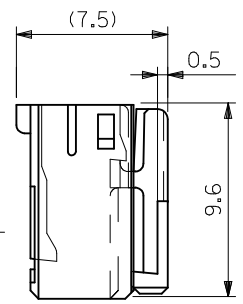
△
トレードマーク
TRADE MARK
回路番号 1
CIRCUIT NO.1



ターミナル装着状態図
TERMINAL ASSEMBLY DRAWING

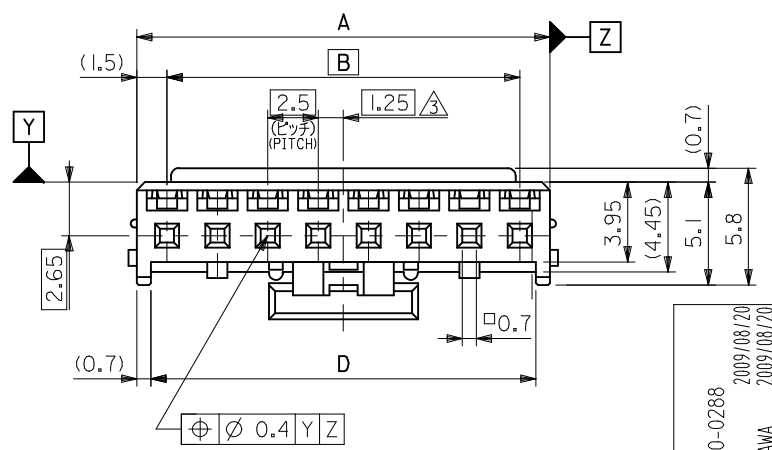


△
キャビティー番号
及び金型番号
CAVITY NO.
AND MODEL NO.



製品番号
ENG. NO.

| | | | | | | | | |
|------|-----|---|------|------|------|------|--------------------------|-------------|
| 12.5 | 7.4 | 5 | 36.6 | 38.8 | 35 | 38 | 51163-158* | 15 |
| ↑ | ↑ | ↑ | 34.1 | 36.3 | 32.5 | 35.5 | ↑ -148* | 14 |
| | | | 31.6 | 33.8 | 30 | 33 | ↑ -138* | 13 |
| | | | 29.1 | 31.3 | 27.5 | 30.5 | ↑ -128* | 12 |
| | | | 26.6 | 28.8 | 25 | 28 | ↑ -118* | 11 |
| | | | 24.1 | 26.3 | 22.5 | 25.5 | ↑ -108* | 10 |
| ↓ | | | 21.6 | 23.8 | 20 | 23 | ↑ -098* | 9 |
| 12.5 | | | 19.1 | 21.3 | 17.5 | 20.5 | ↑ -088* | 8 |
| | | | 16.6 | 18.8 | 15 | 18 | ↑ -078* | 7 |
| | | | 14.1 | 16.3 | 12.5 | 15.5 | ↑ -068* | 6 |
| | | | 11.6 | 13.8 | 10 | 13 | ↑ -058* | 5 |
| | 7.4 | 5 | 9.1 | 11.3 | 7.5 | 10.5 | ↑ -048* | 4 |
| | 5 | 3 | 6.6 | 8.8 | 5 | 8 | ↑ 51163-038* | 3 |
| G | F | E | D | (C) | B | A | MATERIAL AND ORDER No. △ | CIRCUIT No. |



| | | | | | | | | | |
|--|--|------------------------|----------------------------|-----------------------------|--------------------|--|--------------------------------|---------------------|--|
| REVISED EC NO: J2010-0288 DRWN: YG010 2009/08/20 CHKD: KASAKAWA 2009/08/20 APPR: NUKITA 2009/08/24 | GENERAL TOLERANCES (UNLESS SPECIFIED) | | DIMENSION STYLE MM ONLY | | SCALE 4:1 | DESIGN UNITS METRIC | THIRD ANGLE PROJECTION | | |
| | 10 UNDER ±0.2 | 10 OVER 30 UNDER ±0.25 | 30 OVER ±0.3 | DRAWN BY K. HARADA | DATE 1997/10/2 | TITLE 2.5 W/B CONN HSG (POSITIVE LOCK) | | | |
| | ANGULAR ±3 ° | | | CHECKED BY T. ITO | DATE 1997/11/12 | MOLEX INCORPORATED | | | |
| | DRAFT WHERE APPLICABLE MUST REMAIN WITHIN DIMENSIONS | | | APPROVED BY M. FUKUSHIMA | DATE 1997/11/12 | MATERIAL NO. ENTER PART | DOCUMENT NO. SD-51163-**-00 | SHEET NO. 1 OF 2 | |

注記 NOTES

- △1 適合ターミナル：5035I-8*00
APPLICABLE TERMINAL : 5035I-8*00
- 2. 嵌合相手：53375,53426 シリーズ
MATE WITH : 53375,53426 SERIES
- △3 偶数極の製品に適用。
APPLY EVEN CIRCUIT PRODUCTS.
- △4 トレードマーク：Mプラス 1 ~ 2 文字のアルファベットにて構成。(例 MXJ)
但し "J" は JAPAN を示す。
FORMED BY M AND 1 ~ 2 MORE LETTER OF ALPHABET (e.g. MXJ)
(TO TRADE MARK), BUT "J" SHOW JAPAN.
- △5 キャビティー番号：1桁~2桁の数字
金型番号：アルファベット1文字にて構成。(例, 1A, 10B)
FORMED BY 1 DIGIT TO 2 DIGIT NUMBERS (TO CAVITY
NO.) AND BY 1 LETTER OF ALPHABET (TO MOLD NO.).
(e.g. 1A, 10B)
- △6 MATERIAL AND ORDER No.
51163-**00
極数
CIRCUIT SIZE
- 7. 材料:PBT, UL 94V-0
- 8. 色:白 WHITE (NATURAL)



| | | | | | | | | |
|---|--------------------|--|-------|-----------------------------|---|---|------------------------|--|
| REVISED EC NO: DRWN:Y.GOTO CHKD:K.SAKAWA APPR: C | DESCRIPTION REV | GENERAL TOLERANCES (UNLESS SPECIFIED) | | DIMENSION STYLE MM ONLY | SCALE 4:1 | DESIGN UNITS METRIC | THIRD ANGLE PROJECTION | |
| | | 10 UNDER | ±0.2 | DRAWN BY K. HARADA | DATE 1997/10/2 | TITLE 2.5 W/B CONN HSG (POSITIVE LOCK) | | |
| | | 10 OVER 30 UNDER | ±0.25 | CHECKED BY T. ITO | DATE 1997/11/12 | | | |
| | | 30 OVER | ±0.3 | APPROVED BY M. FUKUSHIMA | DATE 1997/11/12 | MOLEX INCORPORATED | | |
| ANGULAR ±3 ° | | DRAFT WHERE APPLICABLE MUST REMAIN WITHIN DIMENSIONS | | MATERIAL NO. ENTER PART | DOCUMENT NO. SD-51163-**00 | SHEET NO. 2 OF 2 | | |
| | | | | SIZE A3 | THIS DRAWING CONTAINS INFORMATION THAT IS PROPRIETARY TO MOLEX INCORPORATED AND SHOULD NOT BE USED WITHOUT WRITTEN PERMISSION | | | |