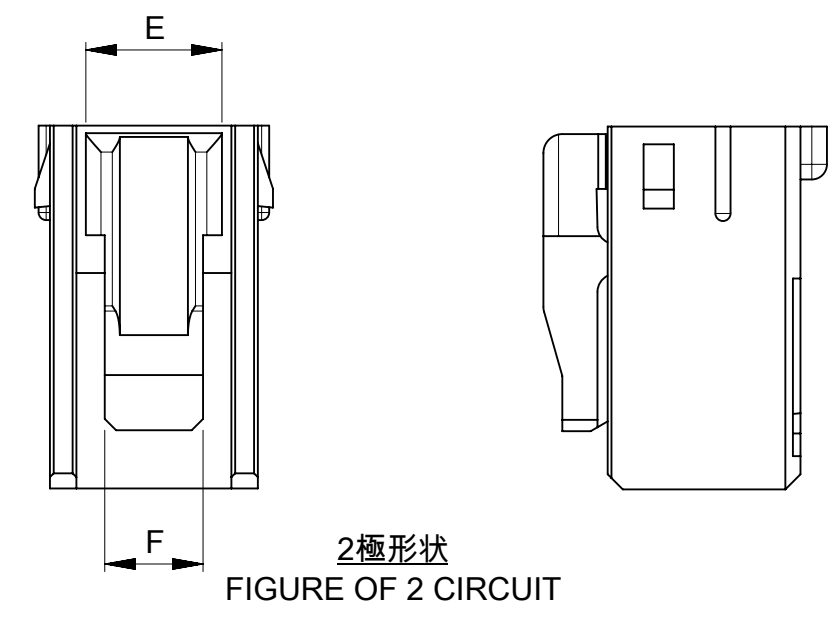
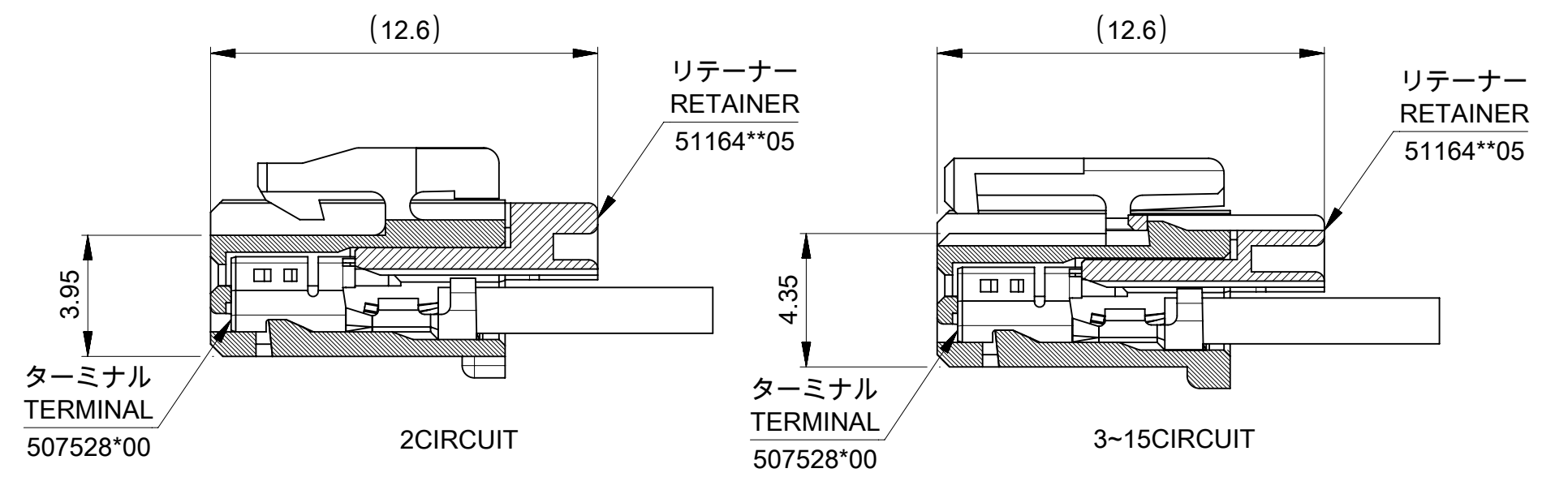


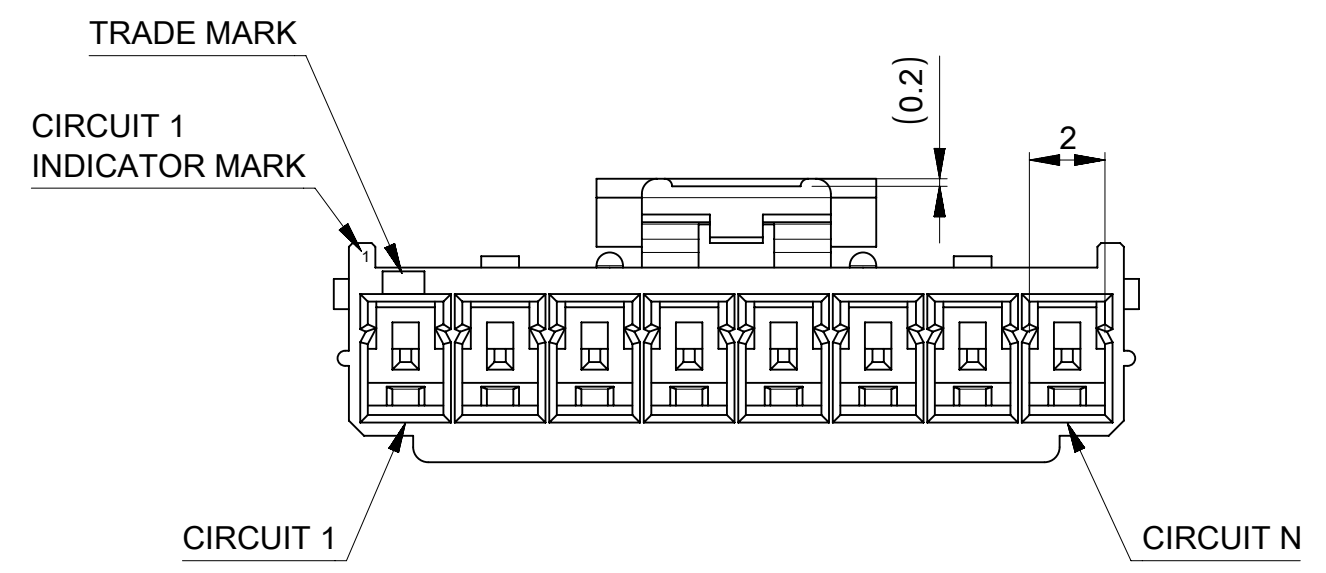
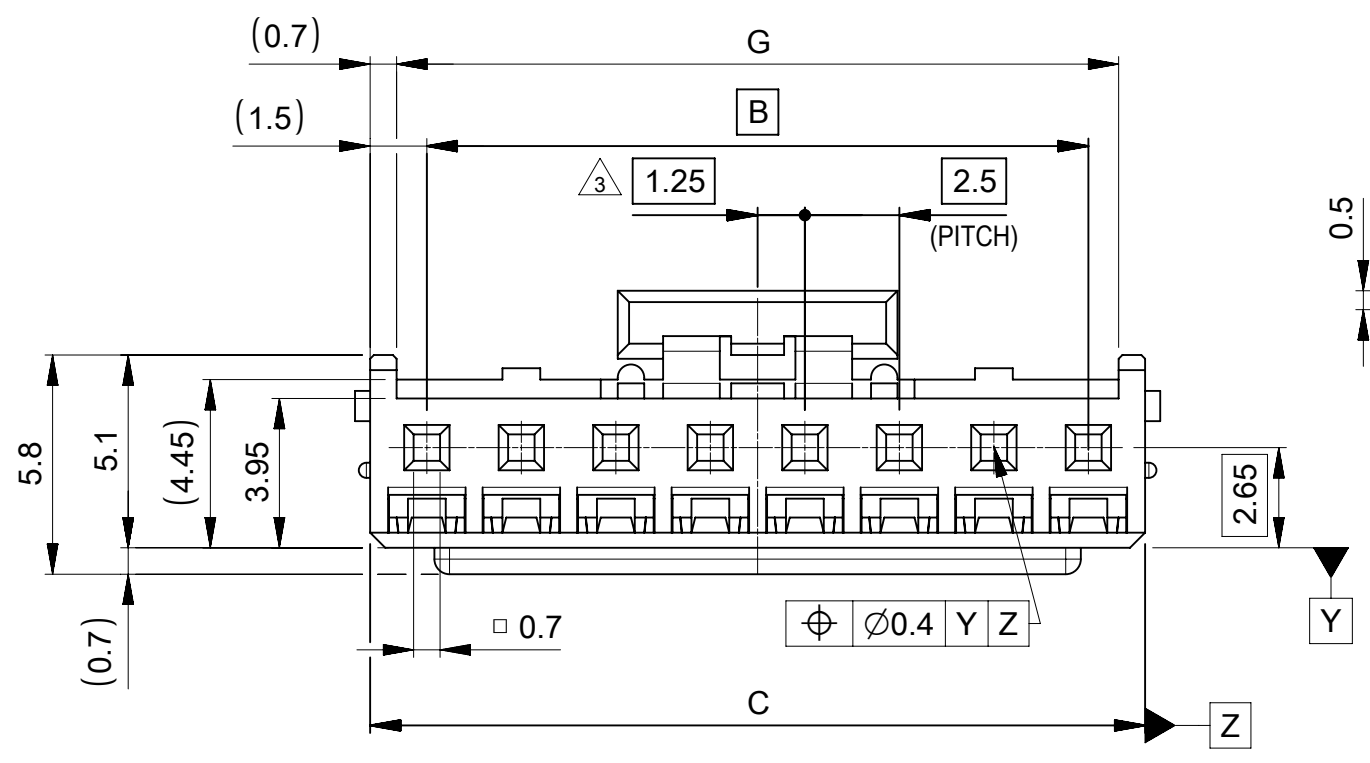
2極ロック形状
2CIRCUIT LOCK FORM



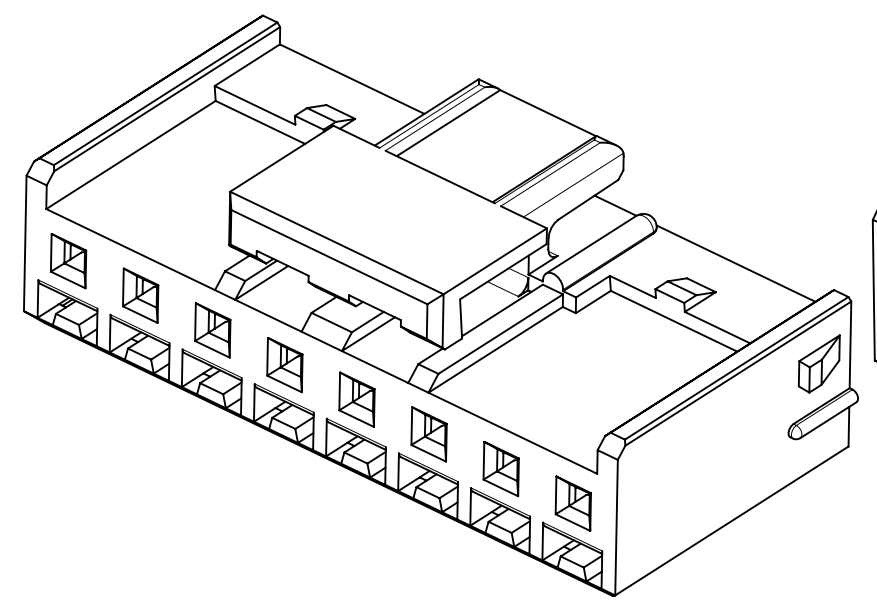
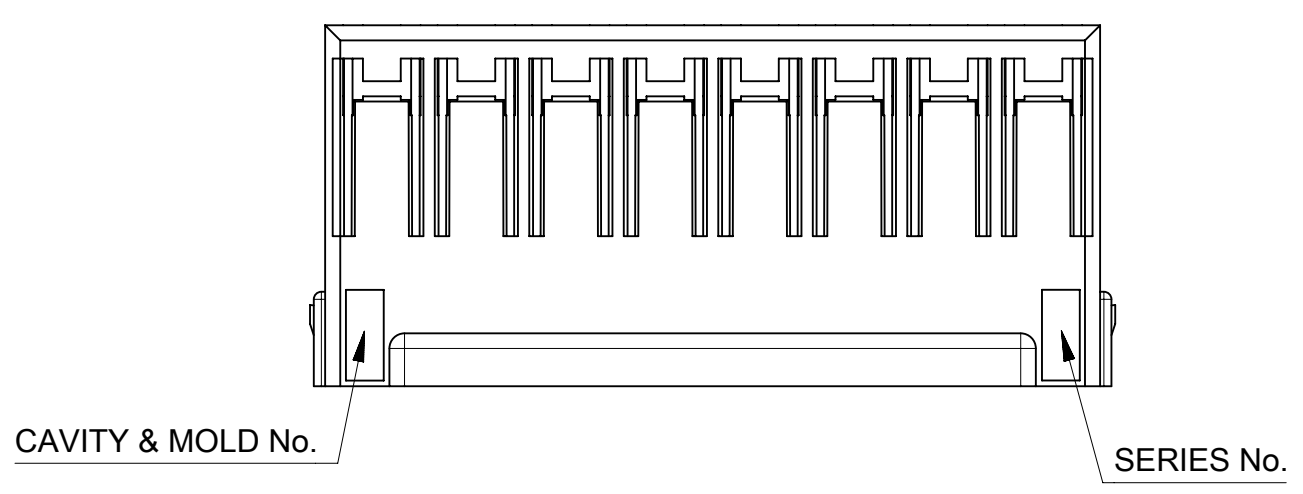
2極形状
FIGURE OF 2 CIRCUIT



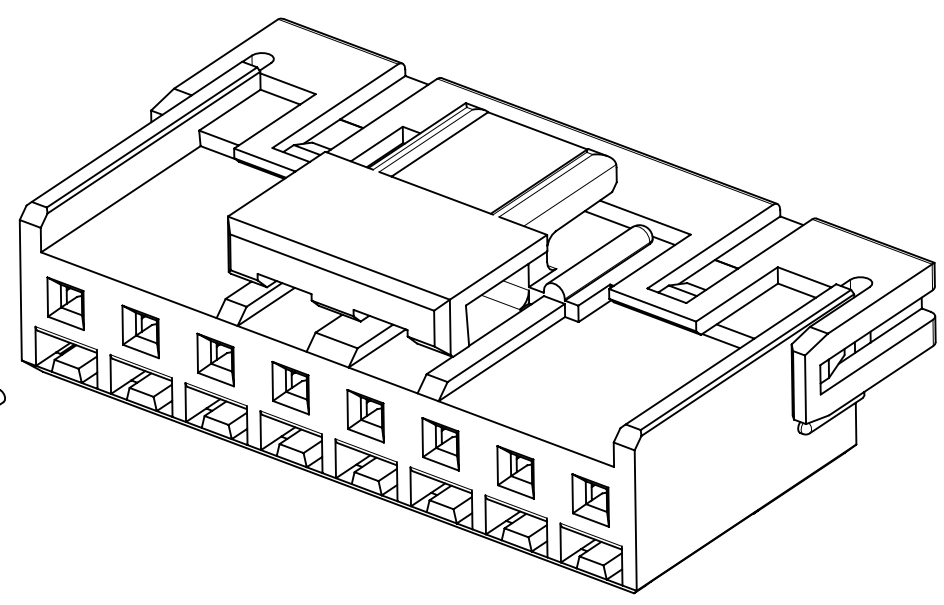
ターミナル及びリテーナー装着状態図
TERMINAL AND RETAINER ASSEMBLY DRAWING



勝特力電材超市-龍山店 886-3-5773766
 勝特力電材超市-光復店 886-3-5729570
 勝特力電子(上海) 86-21-34970699
 勝特力電子(深圳) 86-755-83298787
<http://www.100y.com.tw>



リテーナー未装着状態図
ASSEMBLY DRAWING



リテーナー装着状態図
RETAINER ASSEMBLY DRAWING

36.6	7.4	5	12.5	38	35	38.8	5116315**	15
34.1	7.4	5	12.5	35.5	32.5	36.3	5116314**	14
31.6	7.4	5	12.5	33	30	33.8	5116313**	13
29.1	7.4	5	12.5	30.5	27.5	31.3	5116312**	12
26.6	7.4	5	12.5	28	25	28.8	5116311**	11
24.1	7.4	5	12.5	25.5	22.5	26.3	5116310**	10
21.6	7.4	5	12.5	23	20	23.8	5116309**	9
19.1	7.4	5	12.5	20.5	17.5	21.3	5116308**	8
16.6	7.4	5	-	18	15	18.8	5116307**	7
14.1	7.4	5	-	15.5	12.5	16.3	5116306**	6
11.6	7.4	5	-	13	10	13.8	5116305**	5
9.1	7.4	5	-	10.5	7.5	11.3	5116304**	4
6.6	5	3	-	8	5	8.8	5116303**	3
4.1	2.6	3.6	-	5.5	2.5	6.3	5116302**	2
G	F	E	D	C	B	(A)	発注番号 ORDER No.	極数 CIRCUIT SIZE

NOTE
 △材料: TABLE1参照
 MATERIAL:SEE TABLE1
 △適合ハウジング, 嵌合相手, 関連ドキュメントについてはSHEET 2 を御参照ください。
 PLEASE REFER TO SHEET 2 FOR APPLICABLE HOUSING, MATING PARTNER AND RELATED DOCUMENTS.
 △偶数極に適用
 APPLY FOR EVEN CIRCUIT.
 4. 本製品のプラスチック部に黒点等が確認される場合や、色合いが異なる場合が御座いますが、製品性能に影響は御座いません
 THERE IS NO INFLUENCE IN THE PRODUCT PERFORMANCE IN CASE THAT THE BLACK SPOT OR BUBBLE ETC. MIGHT BE APPEARED ON THE PLASTIC PART OF THIS PRODUCT AND THE COLOR SHADE MIGHT BE DIFFERENT.
 5. GLOW WIRE TEST適合品
 THIS PRODUCT IS GLOW WIRE TEST COMPATIBLE.

△TABLE1

部品 PART	材質 MATERIAL	
ハウジング HOUSING	51163**00	ポリエステル(PBT):ガラス非含有,UL94V-0,色:ナチュラル(白) POLYESTER(PBT):GLASS UNFILLED,UL94V-0,COLOR:NATURAL(WHITE)
	51163**41	ポリアミド(PA):ガラス非含有,UL94V-0,色:黒 POLYAMIDE(PA):GLASS UNFILLED,UL94V-0,COLOR:BLACK
DOCUMENT STATUS	P1	
RELEASE DATE	2023/05/15 02:57:18	

THIS DRAWING CONTAINS INFORMATION THAT IS PROPRIETARY TO MOLEX ELECTRONIC TECHNOLOGIES, LLC AND SHOULD NOT BE USED WITHOUT WRITTEN PERMISSION

DIMENSION UNITS	SCALE	CURRENT REV DESC:
mm	NTS	
GENERAL TOLERANCES (UNLESS SPECIFIED)		
ANGULAR TOL	± 3.0°	EC NO: 652870
4 PLACES	± 0.2	DRWN: MIKEDA01 2023/03/27
3 PLACES	± 0.2	CHK'D: SAKIYAMA 2023/05/11
2 PLACES	± 0.2	APPR: AIDA 2023/05/15
1 PLACE	± 0.2	INITIAL REVISION:
0 PLACES	± 0.2	DRWN: RWATANABE01 2019/04/22
		APPR: SAKIYAMA 2020/09/28
DRAFT WHERE APPLICABLE MUST REMAIN WITHIN DIMENSIONS	THIRD ANGLE PROJECTION	DRAWING SERIES
		A2-SIZE 51163
MATERIAL NUMBER		CUSTOMER
511630000-SD		GENERAL
DOCUMENT NUMBER	DOC TYPE	DOC PART
511630000-SD	PSD	000
SHEET NUMBER		REVISION
1 OF 2		B

molex

MINI-LOCK 2.5
SINGLE ROW RECEPTACLE HOUSING WITH RETAINER

PRODUCT CUSTOMER DRAWING

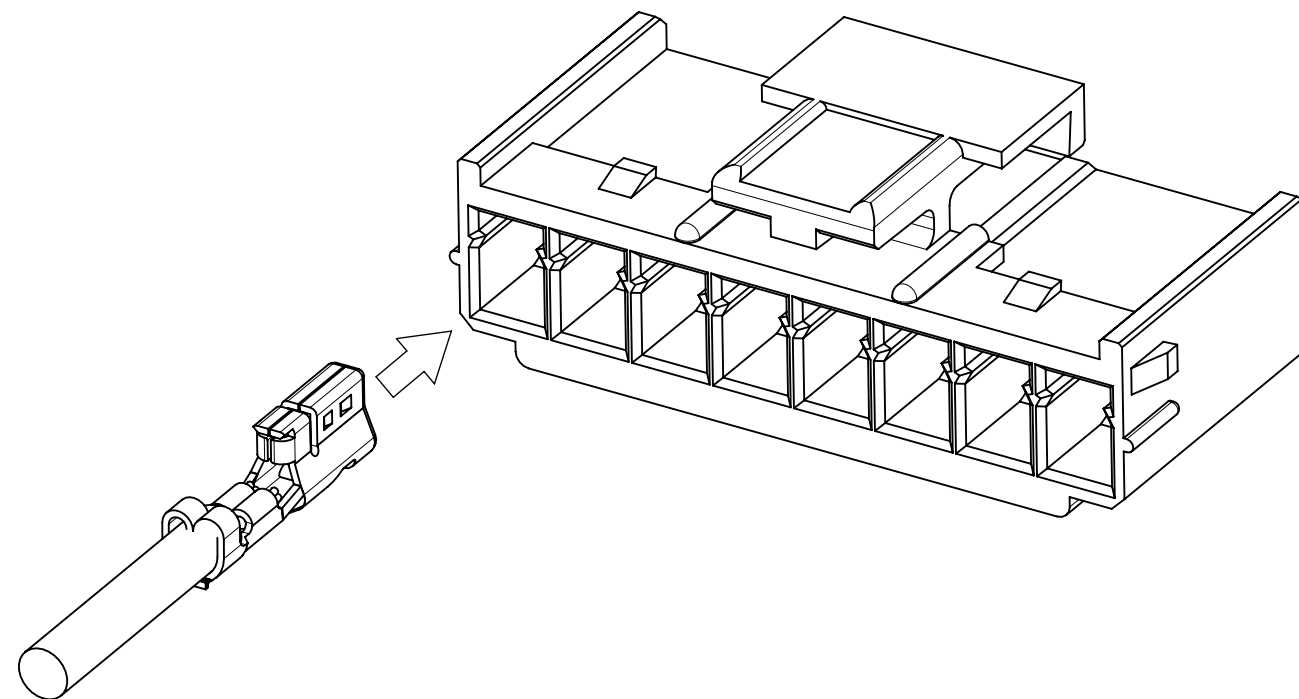
△ 適合製品及び各種仕様書
 APPLICABLE PRODUCT AND VARIOUS SPECIFICATIONS

梱包仕様書 PACKAGING SPECIFICATION	PART NUMBER	SPECIFICATION NUMBER
	51163**0*	511639200-SPK 200

適合端子 APPLICABLE TERMINAL	PART NUMBER	PLATING TYPE	WIRE SIZE(AWG)
	507528200	TIN	#20-#22
	507528400	TIN	#24-#26

適合リテーナー APPLICABLE RETAINER	51164			
シリーズ番号 SERIES No.				
適合嵌合相手 MATE WITH	THROUGH HOLE		SURFACE MOUNT	
	VERTICAL	VERTICAL (FOR POTTING)	RIGHT ANGLE	VERTICAL
	TIN PLATING		TIN PLATING	TIN PLATING
	53375 53476	53517	53426	215931 215932
製品仕様書 PRODUCT SPECIFICATION	511630000-PS PS 000			
取扱説明書 APPLICATION SPECIFICATION	2166940000-AS PS 000			

製品嵌合図は各"適合嵌合相手"図面参照のこと
 MATING VIEW : REFER TO EACH "MATE WITH" PART DRAWING.

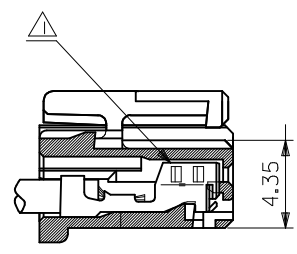
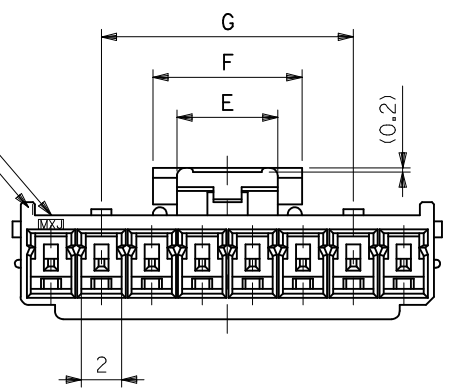


圧着ケーブル挿入方向
 HARNESS ASSY INSERTION DIRECTION

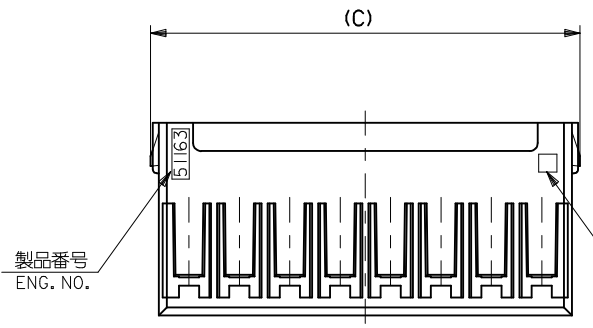
黒 BLACK	ナチュラル(白) NATURAL(WHITE)	ハウジング色 HOUSING COLOR
PA GF0, UL94 V-0	PBT GF0, UL94 V-0	樹脂種 RESIN TYPE
511631541	511631500	15
511631441	511631400	14
511631341	511631300	13
511631241	511631200	12
511631141	511631100	11
511631041	511631000	10
511630941	511630900	9
511630841	511630800	8
511630741	511630700	7
511630641	511630600	6
511630541	511630500	5
511630441	511630400	4
511630341	511630300	3
511630241	511630200	2
発注番号 ORDER NO.		極数 CIRCUIT SIZE

THIS DRAWING CONTAINS INFORMATION THAT IS PROPRIETARY TO MOLEX ELECTRONIC TECHNOLOGIES, LLC AND SHOULD NOT BE USED WITHOUT WRITTEN PERMISSION									
DIMENSION UNITS	SCALE	CURRENT REV DESC:							
mm	NTS	molex MINI-LOCK 2.5 SINGLE ROW RECEPTACLE HOUSING WITH RETAINER PRODUCT CUSTOMER DRAWING							
GENERAL TOLERANCES (UNLESS SPECIFIED)									
ANGULAR TOL	± 3.0°	EC NO: 652870	2023/03/27	DOCUMENT NUMBER					
4 PLACES	± 0.2	DRWN: MIKEDA01	2023/05/11	511630000-SD		DOC TYPE	DOC PART	REVISION	
3 PLACES	± 0.2	CHK'D: SAKIYAMA	2023/05/15	PSD		000	B		
2 PLACES	± 0.2	APPR: AIDA		MATERIAL NUMBER		CUSTOMER		SHEET NUMBER	
1 PLACE	± 0.2	INITIAL REVISION:	2019/04/22	51163		GENERAL		2 OF 2	
0 PLACES	± 0.2	DRWN: RWATANABE01	2020/09/28						
DRAFT WHERE APPLICABLE MUST REMAIN WITHIN DIMENSIONS		THIRD ANGLE PROJECTION	DRAWING	SERIES					
			A2-SIZE	51163					

△
トレードマーク
TRADE MARK
回路番号 1
CIRCUIT NO.1

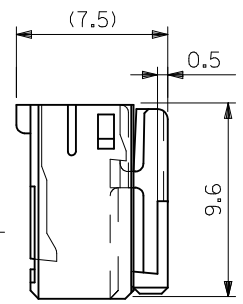


ターミナル装着状態図
TERMINAL ASSEMBLY DRAWING

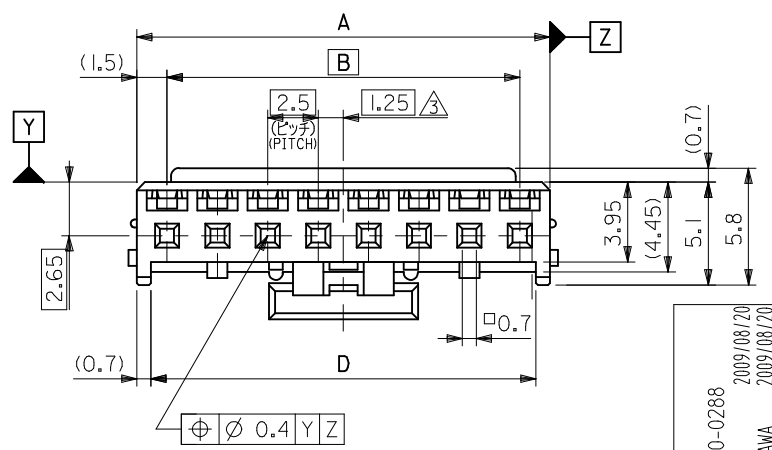


製品番号
ENG. NO.

△
キャビティー番号
及び金型番号
CAVITY NO.
AND MODEL NO.



12.5	7.4	5	36.6	38.8	35	38	51163-158*	15
↑	↑	↑	34.1	36.3	32.5	35.5	↑ -148*	14
			31.6	33.8	30	33	↑ -138*	13
			29.1	31.3	27.5	30.5	↑ -128*	12
			26.6	28.8	25	28	↑ -118*	11
			24.1	26.3	22.5	25.5	↑ -108*	10
↓			21.6	23.8	20	23	↑ -098*	9
12.5			19.1	21.3	17.5	20.5	↑ -088*	8
			16.6	18.8	15	18	↑ -078*	7
			14.1	16.3	12.5	15.5	↑ -068*	6
			11.6	13.8	10	13	↑ -058*	5
	7.4	5	9.1	11.3	7.5	10.5	↑ -048*	4
	5	3	6.6	8.8	5	8	↑ 51163-038*	3
G	F	E	D	(C)	B	A	MATERIAL AND ORDER No. △	CIRCUIT No.



REVISED
EC NO: J2010-0288
DRWN: YG010 2009/08/20
CHKD: KASAKAWA 2009/08/20
APPR: NUKITA 2009/08/24

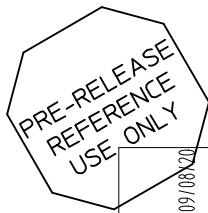
DESCRIPTION
GENERAL TOLERANCES (UNLESS SPECIFIED)
10 UNDER ±0.2
10 OVER 30 UNDER ±0.25
30 OVER ±0.3
ANGULAR ±3 °
DRAFT WHERE APPLICABLE MUST REMAIN WITHIN DIMENSIONS

DIMENSION STYLE
MM ONLY
DRAWN BY K. HARADA DATE 1997/10/2
CHECKED BY T. ITO DATE 1997/11/12
APPROVED BY M. FUKUSHIMA DATE 1997/11/12
MATERIAL NO.
ENTER PART

SCALE 4:1
DESIGN UNITS METRIC
THIRD ANGLE PROJECTION
TITLE 2.5 W/B CONN HSG (POSITIVE LOCK)
MOLEX MOLEX INCORPORATED
DOCUMENT NO. SD-51163-**-00 SHEET NO. 1 OF 2
THIS DRAWING CONTAINS INFORMATION THAT IS PROPRIETARY TO MOLEX INCORPORATED AND SHOULD NOT BE USED WITHOUT WRITTEN PERMISSION

注記 NOTES

- ① 適合ターミナル：5035I-8*00
APPLICABLE TERMINAL : 5035I-8*00
- 2. 嵌合相手：53375,53426 シリーズ
MATE WITH : 53375,53426 SERIES
- ③ 偶数極の製品に適用。
APPLY EVEN CIRCUIT PRODUCTS.
- ④ トレードマーク：Mプラス 1 ~ 2 文字のアルファベットにて構成。(例 MXJ)
但し "J" は JAPAN を示す。
FORMED BY M AND 1 ~ 2 MORE LETTER OF ALPHABET (e.g. MXJ)
(TO TRADE MARK), BUT "J" SHOW JAPAN.
- ⑤ キャビティー番号：1桁~2桁の数字
金型番号：アルファベット1文字にて構成。(例, 1A, 10B)
FORMED BY 1 DIGIT TO 2 DIGIT NUMBERS (TO CAVITY
NO.) AND BY 1 LETTER OF ALPHABET (TO MOLD NO.).
(e.g. 1A, 10B)
- ⑥ MATERIAL AND ORDER No.
51163-**00
CIRCUIT SIZE
- 7. 材料:PBT, UL 94V-0
- 8. 色:白 WHITE (NATURAL)



REVISED EC NO: DRWN:Y.GOTO CHKD:K.SAKAWA APPR: C	DESCRIPTION REV	GENERAL TOLERANCES (UNLESS SPECIFIED)		DIMENSION STYLE MM ONLY	SCALE 4:1	DESIGN UNITS METRIC	THIRD ANGLE PROJECTION	
		10 UNDER	±0.2	DRAWN BY K. HARADA	DATE 1997/10/2	TITLE 2.5 W/B CONN HSG (POSITIVE LOCK)		
		10 OVER 30 UNDER	±0.25	CHECKED BY T. ITO	DATE 1997/11/12			
		30 OVER	±0.3	APPROVED BY M. FUKUSHIMA	DATE 1997/11/12	MATERIAL NO.	DOCUMENT NO.	SHEET NO.
ANGULAR ±3 °		DRAFT WHERE APPLICABLE MUST REMAIN WITHIN DIMENSIONS		ENTER PART		MOLEX INCORPORATED SD-51163-**00		
				SIZE A3	THIS DRAWING CONTAINS INFORMATION THAT IS PROPRIETARY TO MOLEX INCORPORATED AND SHOULD NOT BE USED WITHOUT WRITTEN PERMISSION			



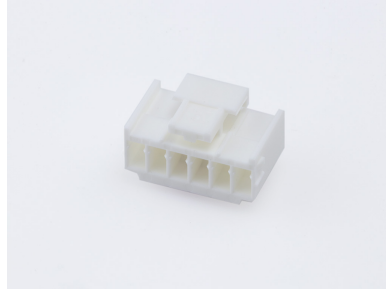
产品编号 : [511630600](#)

Product Description : 2.50mm Pitch, Mini-Lock Receptacle Crimp Housing, Single Row, Positive Lock, 6 Circuits, Natural

系列号 : 51163

状态 : Active

Product Category : Connector Housings



文件和资源

图纸

[图纸 511630600_sd.pdf](#)

3D 模型和设计文件

[2D 图纸 DXF 511630600.dxf](#)

[2D 图纸 DXF PDF 511630600.pdf](#)

[3D模型 511630600_stp.zip](#)

规格

[包装规格 511639200-SPK-200.pdf](#)

[产品规格 511630000-PS-000.pdf](#)

[产品规格 511631000-PS-000.pdf](#)

产物环境合规

合规

GADSL/IMDS	Not Relevant
China RoHS	
EU ELV	Not Relevant
Low-Halogen Status	Not Low-Halogen per IEC 61249-2-21
REACH SVHC	Not Contained per D(2023)3788-DC (14 Jun 2023)
EU RoHS	Compliant per EU 2015/863

多部分产品合规性声明

- Eu RoHS
- REACH SVHC
- Low-Halogen

多部分行业合规性文件

- IPC 1752A Class C
- IPC 1752A Class D
- Molex Product Compliance Declaration
- IEC-62474
- chemSHERPA (xml)

欧盟 RoHS 合格证书

产品详情

常规

状态	活动
类别	Connector Housings
系列	51163
说明	2.50mm Pitch, Mini-Lock Receptacle Crimp Housing, Single Row, Positive Lock, 6 Circuits, Natural
应用	Signal, Wire-to-Board
个评论	GWT performed on end product as per IEC 60695-2-11
产品系列	Mini-Lock Wire-to-Board Connector System
产品名称	Mini-Lock
UPC	800753325913

机构

CSA	LR19980
UL	E29179

物理

电路数（最多）	6
颜色-树脂	Natural
阻燃性	94V-0
性别	Receptacle
符合灼热丝规范	是
插接极性	无
锁定插接部位	是
材料 - 树脂	Polyester

净重	621.700/mg
行数	1
包装形式	Bag
面板安装式	否
间距 - 插配接口	2.50mm
可堆叠的	否
运行温度范围	-55° to +105° C

可配插/可连接使用的产品

可配插部件

描述	产品编号
Mini-Lock Vertical, Single Row, Surface Mount Headers	<u>215931</u>
Mini-Lock Vertical Single Row Headers	<u>53375</u>
Mini-Lock Vertical Single Row Headers	<u>53517</u>
Mini-Lock Right-Angle, Single Row, Surface Mount Headers	<u>215932</u>
Mini-Lock Right-Angle Single Row Headers	<u>53426</u>

可连接使用部件

描述	产品编号
Mini-Lock Female Crimp Terminals	<u>50752</u>
Mini-Lock Terminal Position Assurance (TPA) Retainers	<u>51164</u>