



产品编号 : 511640805

Product Description : 2.50mm Pitch, Mini-Lock Terminal Position Assurance (TPA) Retainer, 8 Circuits

系列号 : 51164

状态 : Active

Product Category : Connector Accessories

文件和资源

图纸

图纸 511640805_sd.pdf

3D 模型和设计文件

2D 图纸 DXF 511640805.dxf

2D 图纸 DXF PDF 511640805.pdf

3D模型 511640805_stp.zip

规格


包装规格 511649200-SPK-200.pdf

产品规格 511630000-PS-000.pdf

产品规格 511631000-PS-000.pdf

产物环境合规

合规

GADSL/IMDS	Not Relevant
China RoHS	
EU ELV	Not Relevant
Low-Halogen Status	Not Low-Halogen per IEC 61249-2-21
REACH SVHC	Not Contained per D(2023)8585-DC (23 Jan 2024)
EU RoHS	Compliant per EU 2015/863

多部分产品合规性声明

- Eu RoHS
- REACH SVHC
- Low-Halogen

- IPC 1752A Class C
- IPC 1752A Class D

- Molex Product Compliance Declaration

- IEC-62474

- chemSHERPA (xml)

欧盟 RoHS 合格证书

产品详情

常规

状态	活动
类别	Connector Accessories
系列	51164
说明	2.50mm Pitch, Mini-Lock Terminal Position Assurance (TPA) Retainer, 8 Circuits
个评论	GWT performed on end product as per IEC 60695-2-11
元件类型	Terminal Position Assurance
产品系列	Mini-Lock Wire-to-Board Connector System
产品名称	Mini-Lock
UPC	800753327504

机构

UL	E29179
----	--------

物理

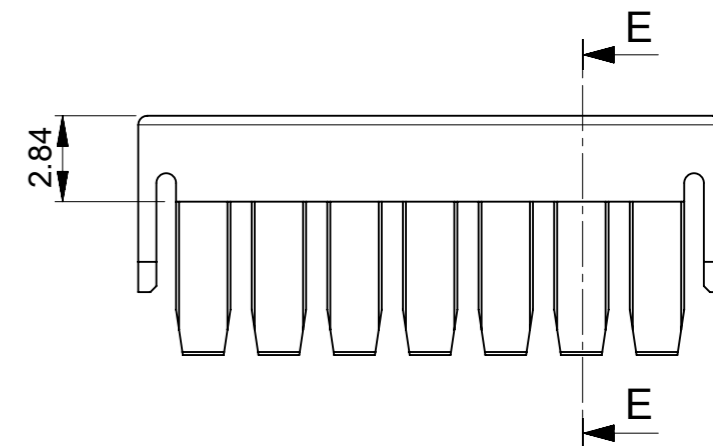
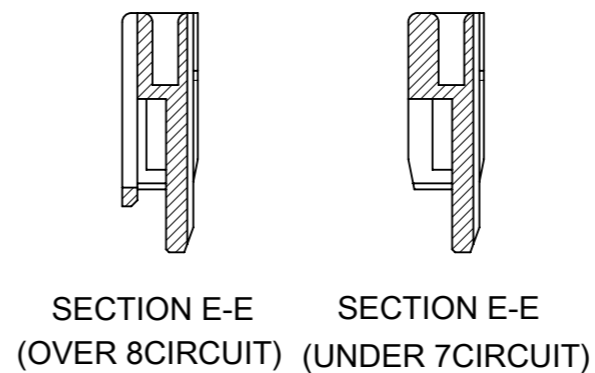
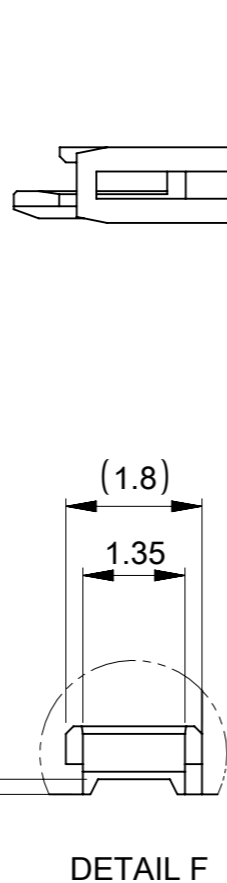
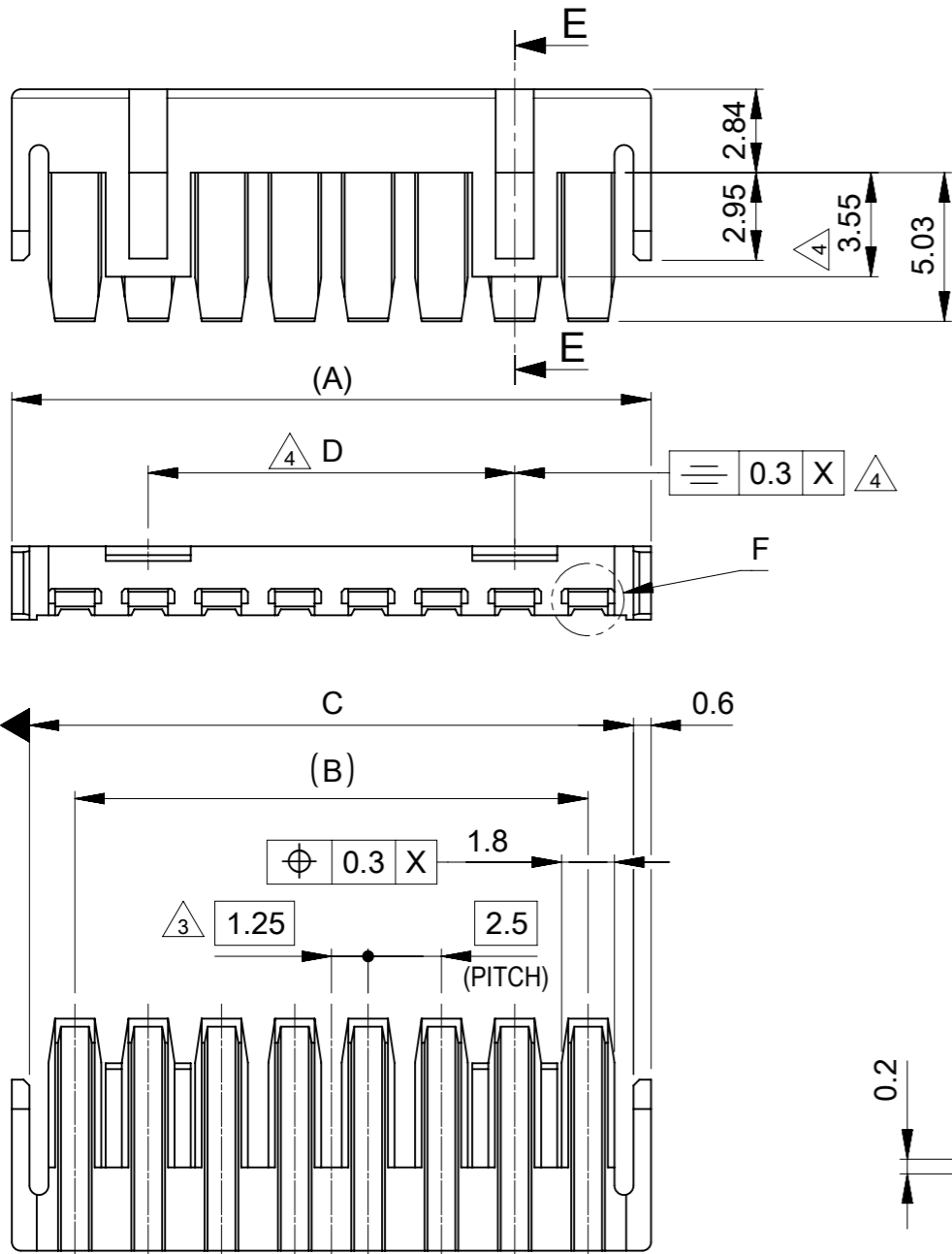
回路数 (已载入)	8
电路数 (最多)	8
颜色-树脂	灰色
阻燃性	94V-0
材料 - 树脂	Polyester
净重	219.500/mg
行数	1
包装形式	Bag

可连接使用部件

描述	产品编号
----	------

Mini-Lock Single Row Receptacle Housings	<u>51163</u>
---	--------------

This document was generated on Jun 30, 2024



7極以下品形状
SHAPE OF UNDER 7CIRCUIT

12.5	38.1	35	39.3	511641505	15
12.5	35.6	32.5	36.8	511641405	14
12.5	33.1	30	34.3	511641305	13
12.5	30.6	27.5	31.8	511641205	12
12.5	28.1	25	29.3	511641105	11
12.5	25.6	22.5	26.8	511641005	10
12.5	23.1	20	24.3	511640905	9
12.5	20.6	17.5	21.8	511640805	8
-	18.1	15	19.3	511640705	7
-	15.6	12.5	16.8	511640605	6
-	13.1	10	14.3	511640505	5
-	10.6	7.5	11.8	511640405	4
-	8.1	5	9.3	511640305	3
-	5.6	2.5	6.8	511640205	2
D	C	(B)	(A)	発注番号 ORDER No.	極数 CIRCUIT SIZE

NOTE

- ① 材料：TABLE1参照
MATERIAL:SEE TABLE1
- ② 適合ハウジング,嵌合相手,関連ドキュメントについてはSHEET 2 を御参照下さい。
PLEASE REFER TO SHEET 2 FOR APPLICABLE HOUSING, MATING PARTNER AND RELATED DOCUMENTS.
- ③ 偶数極に適合。
APPLY FOR EVEN CIRCUIT.
- ④ 8~15極品に適合
APPLY 8~15 CIRCUIT PRODUCTS.

① TABLE1

部品 PART	材質 MATERIAL
リテーナー RETAINER	ポリエステル(PBT):ガラス含有, UL94V-0, 色:グレー POLYESTER(PBT):GLASS-FILED, UL94V-0, COLOR:GRAY

DOCUMENT STATUS	P1	RELEASE DATE	2022/11/17	11:19:05
-----------------	----	--------------	------------	----------

THIS DRAWING CONTAINS INFORMATION THAT IS PROPRIETARY TO MOLEX ELECTRONIC TECHNOLOGIES, LLC AND SHOULD NOT BE USED WITHOUT WRITTEN PERMISSION		CURRENT REV DESC:		molex		
DIMENSION UNITS	SCALE	EC NO: 728459				
mm	NTS	DRWN: RWATANABE01		PRODUCT CUSTOMER DRAWING		
GENERAL TOLERANCES (UNLESS SPECIFIED)		CHK'D: AIDA		DOCUMENT NUMBER		
ANGULAR TOL ± 3.0°		APPR: SAKIYAMA		511640000-SD		
4 PLACES ± 0.2	INITIAL REVISION:		DRWN: RWATANABE01		DOC TYPE	DOC PART
3 PLACES ± 0.2	DRWN: RWATANABE01		2019/04/22		PSD	000
2 PLACES ± 0.2	APPR: SAKIYAMA		2020/09/28		REVISION	
1 PLACE ± 0.2	SERIES		51164		B	
0 PLACES ± 0.2	MATERIAL NUMBER		CUSTOMER		SHEET NUMBER	
DRAFT WHERE APPLICABLE MUST REMAIN WITHIN DIMENSIONS	THIRD ANGLE PROJECTION	DRAWING	SERIES	MATERIAL NUMBER	CUSTOMER	SHEET NUMBER
		A3-SIZE	51164	GENERAL	1 OF 2	

△ 2 適合製品及び各種仕様書
APPLICABLE PRODUCTS AND VARIOUS SPECIFICATIONS

梱包仕様書 PACKAGING SPECIFICATION	PART NUMBER	SPECIFICATION NUMBER
	51164**05	511649200-SPK PS 200

適合端子 APPLICABLE TERMINAL	PART NUMBER	PLATING TYPE	WIRE SIZE(AWG)
	507528200	TIN	#20-#22
	507528400	TIN	#24-#26

適合ハウジング APPLICABLE HOUSING	51163		
シリーズ番号 SERIES No.			
適合嵌合相手 MATE WITH	THROUGH HOLE		
	VERTICAL	VERTICAL (FOR POTTING)	RIGHT ANGLE
	TIN PLATING		TIN PLATING
シリーズ番号 SERIES No.	53375	53517	53426
製品仕様書 PRODUCT SPECIFICATION	511630000-PS PS 000		
取扱説明書 APPLICATION SPECIFICATION	2166940000-AS PS 000		

製品嵌合図は各"適合嵌合相手"図面参照のこと
 MATING VIEW : REFER TO EACH "MATE WITH" PART DRAWING.

THIS DRAWING CONTAINS INFORMATION THAT IS PROPRIETARY TO MOLEX ELECTRONIC TECHNOLOGIES, LLC AND SHOULD NOT BE USED WITHOUT WRITTEN PERMISSION									
DIMENSION UNITS	SCALE	CURRENT REV DESC:					molex		
mm	NTS								
GENERAL TOLERANCES (UNLESS SPECIFIED)							MINI-LOCK 2.5 SINGLE ROW RETAINER		
ANGULAR TOL	± 3.0 °								
4 PLACES	± 0.2	EC NO: 728459				PRODUCT CUSTOMER DRAWING			
3 PLACES	± 0.2	DRWN: RWATANABE01			2022/11/15				
2 PLACES	± 0.2	CHK'D: AIDA			2022/11/17	DOCUMENT NUMBER 511640000-SD			
1 PLACE	± 0.2	APPR: SAKIYAMA			2022/11/17				DOC TYPE
0 PLACES	± 0.2	INITIAL REVISION:				PSD	000	B	
DRAFT WHERE APPLICABLE MUST REMAIN WITHIN DIMENSIONS		THIRD ANGLE PROJECTION	DRAWING	SERIES	MATERIAL NUMBER	CUSTOMER		SHEET NUMBER	
			A3-SIZE	51164		GENERAL		2 OF 2	