



产品编号 : 512424000

系列号 : 51242

Product Category : Connector Housings

Product Description : 2.00mm Pitch  
MicroClasp Wire-to-Board Receptacle  
Housing, Positive Lock, Dual Row, with  
Terminal Retainer Option, 40 circuits

状态 : Active

---

## 文件和资源

### 图纸

图纸 512424000\_sd.pdf

### 3D 模型和设计文件

3D模型 512424000\_stp.zip

### 规格

应用规格 561340000-AS-000.pdf


包装规格 512429200-SPK-200.pdf

产品规格 PS-51242-002-001.pdf

---

## 产物环境合规

### 合规

GADSL/IMDS	Not Relevant
China RoHS	
EU ELV	Not Relevant
Low-Halogen Status	Not Low-Halogen per IEC 61249-2-21
REACH SVHC	Not Contained per D(2023)8585-DC (23 Jan 2024)
EU RoHS	Compliant per EU 2015/863

### 多部分产品合规性声明

- Eu RoHS
- REACH SVHC
- Low-Halogen
  
- IPC 1752A Class C
- IPC 1752A Class D
- Molex Product Compliance Declaration

- IEC-62474

- chemSHERPA (xml)

欧盟 RoHS 合格证书

---

## 产品详情

### 常规

状态	活动
类别	Connector Housings
系列	51242
说明	2.00mm Pitch MicroClasp Wire-to-Board Receptacle Housing, Positive Lock, Dual Row, with Terminal Retainer Option, 40 circuits
应用	Signal, Wire-to-Board
产品系列	MicroClasp Wire-to-Board System
产品名称	MicroClasp
UPC	800756188690

### 物理

电路数（最多）	40
颜色-树脂	Natural
性别	Receptacle
符合灼热丝规范	否
锁定插接部位	是
材料 - 树脂	Nylon
净重	2450.800/mg
行数	2
包装形式	Bag
面板安装式	否
间距 - 插配接口	2.00mm
可堆叠的	否
运行温度范围	-25° to +85° C

---

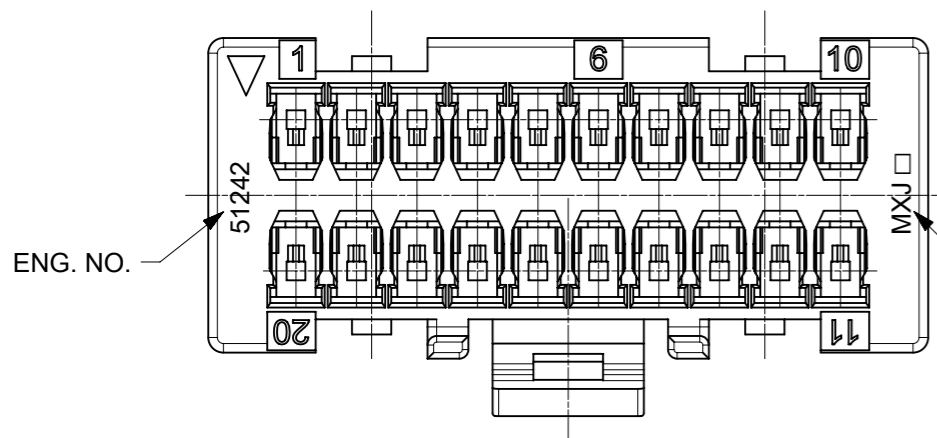
可配插/可连接使用的产品

## 可配插部件

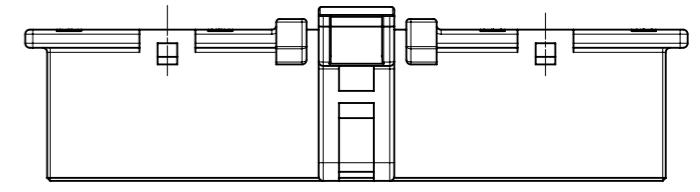
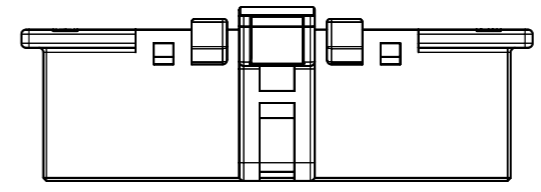
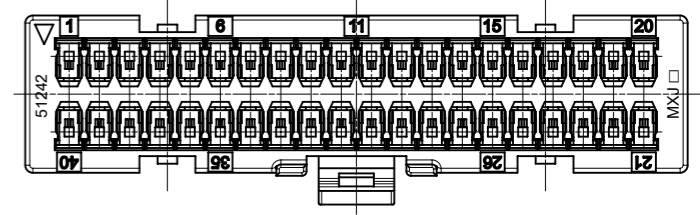
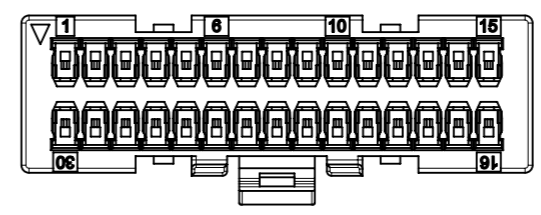
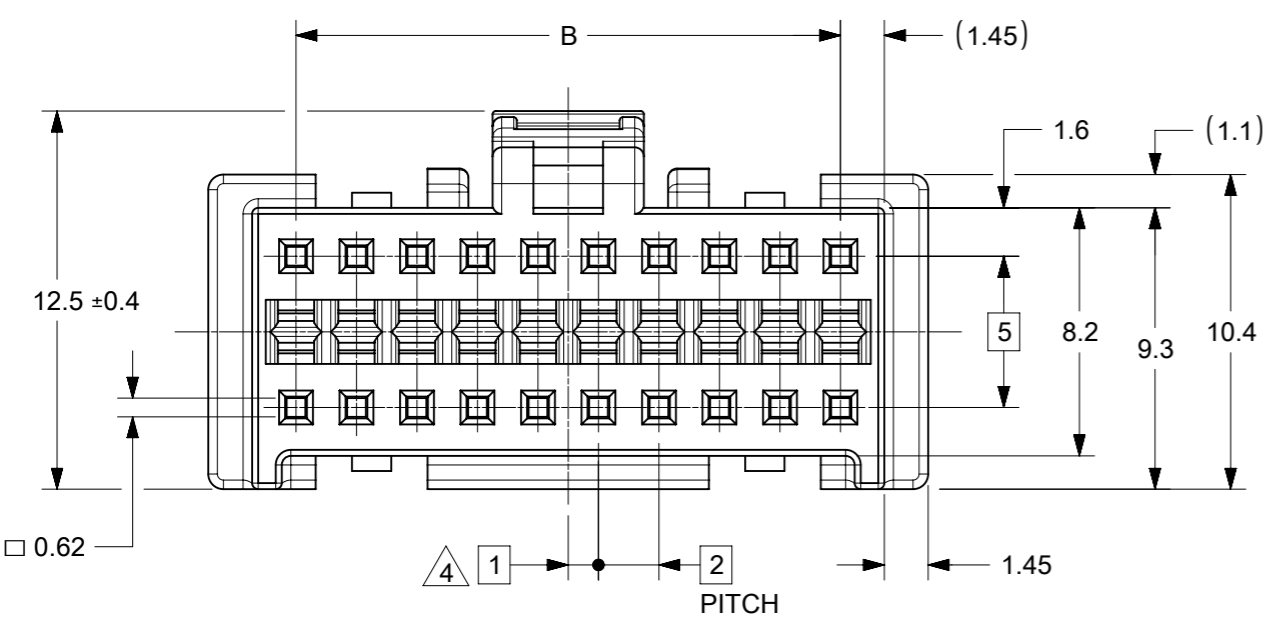
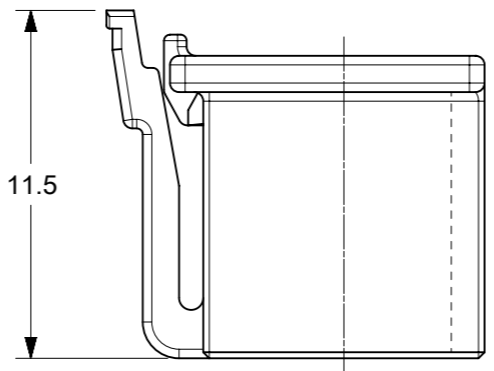
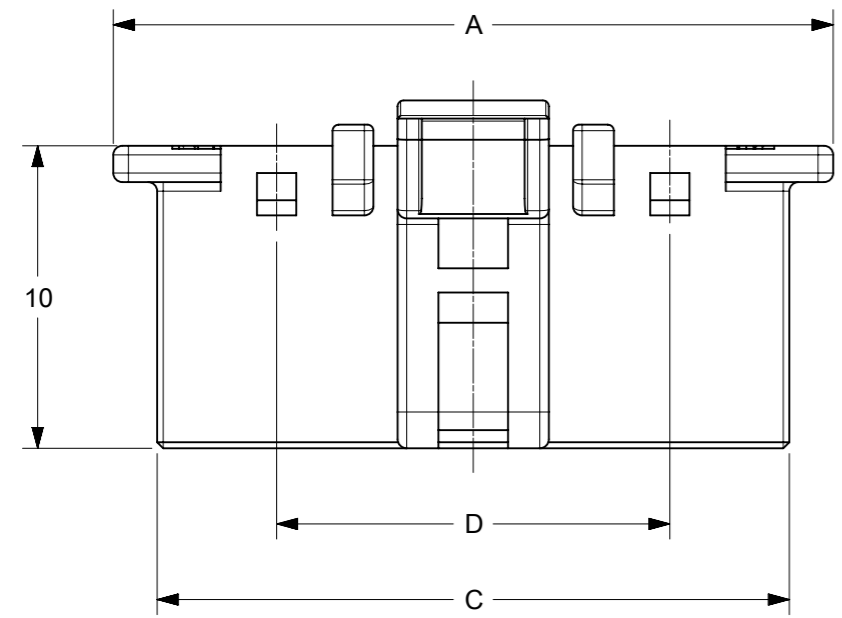
描述	产品编号
MicroClasp Vertical Dual Row Headers	<u>55763</u>

## 可连接使用部件

描述	产品编号
Pre-Crimped Lead MicroClasp Female-to-MicroClasp Female, Tin (Sn) Plating, 150.00mm Length, 24 AWG, Black	<u><a href="/content/molex/molex-dot-com/cn/zh/products/product-page.html/797581001.html">/content/molex/molex-dot-com/cn/zh/products/product-page.html/797581001.html</a></u>
Pre-Crimped Lead MicroClasp Female-to-MicroClasp Female, Tin (Sn) Plating, 300.00mm Length, 24 AWG, Black	<u><a href="/content/molex/molex-dot-com/cn/zh/products/product-page.html/797581002.html">/content/molex/molex-dot-com/cn/zh/products/product-page.html/797581002.html</a></u>
MicroClasp Terminal Position Assurance (TPA) Retainers	<u>55767</u>
2.00mm Pitch Female Crimp Terminals	<u>56134</u>



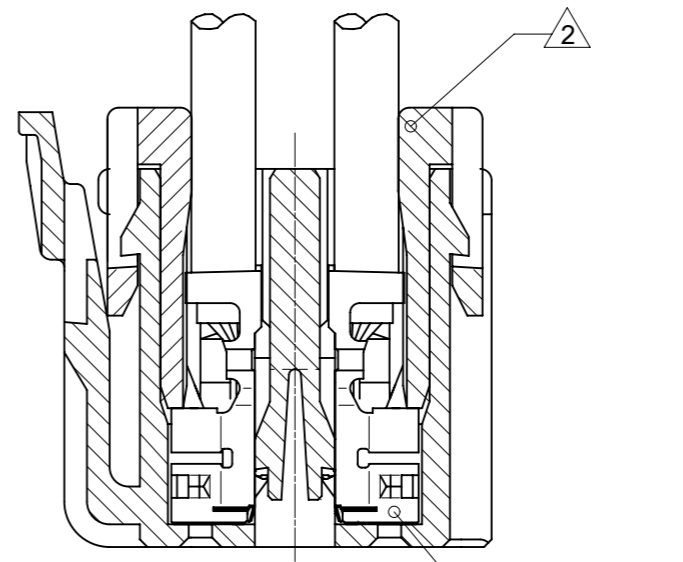
ENG. NO. 51242 TRADE MARK & CAV. NO. MXJ



30 CIRCUIT

40 CIRCUIT

VIEW OF 30,40 CIRCUIT (2:1)



TERMINAL & RETAINER ASSEMBLY DRAWING SCALE 5:1

NOTES:

1. APPLICABLE TERMINAL : SERIES 56134, 59370
2. APPLICABLE RETAINER : SERIES 55767
3. MATE WITH : SERIES 55763
4. APPLY FOR (CIRCUIT/2)= EVEN
5. MATERIAL NO.

51242-\*\*0\*

CIRCUIT SIZE	COLOR	NATURAL(WHITE)	0
--------------	-------	----------------	---

6. MATERIAL : 66 NYLON, UL94V-0

40	51242-400*	43.8	38	40.9	25
30	51242-300*	33.8	28	30.9	15
20	51242-200*	23.8	18	20.9	13
CKT.	MATERIAL NO.	A	B	C	D

THIS DRAWING CONTAINS INFORMATION THAT IS PROPRIETARY TO MOLEX ELECTRONIC TECHNOLOGIES, LLC AND SHOULD NOT BE USED WITHOUT WRITTEN PERMISSION

DIMENSION UNITS	SCALE	CURRENT REV DESC: REMOVED OBSOLETE PART NUMBERS AS PER PCN#512606.					
mm	4:1	<p><b>molex</b></p> <p>MICROCLASP 2.0 W-B CONN. DUAL ROW RCPT HSG</p> <p>PRODUCT CUSTOMER DRAWING</p>					
GENERAL TOLERANCES (UNLESS SPECIFIED)							
ANGULAR TOL	± 3.0 °						
4 PLACES	± 0.0						
3 PLACES	± 0.0						
2 PLACES	± 0.2						
1 PLACE	± 0.2	EC NO: 764691	2023/09/07	DOC TYPE	DOC PART	REVISION	
0 PLACES	± 0.2	DRWN: NITO	2001/04/13	PSD	001	D1	
DRAFT WHERE APPLICABLE MUST REMAIN WITHIN DIMENSIONS		THIRD ANGLE PROJECTION	DRAWING	SERIES	MATERIAL NUMBER	CUSTOMER	SHEET NUMBER
			A3-SIZE	51242	SEE TABLE	GENERAL MARKET	1 OF 1