

产品编号 : 513380574

Product Description : SlimStack Board-to-Board Receptacle, 0.40mm Pitch, J-Bend Series, 0.20µm Gold (Au) Plating, 1.50 or 2.00mm Mated Height, 3.40mm Mated Width, 50 Circuits

系列号 : 51338

状态 : Active

Product Category : Board-to-Board Connectors

文件和资源

图纸

图纸 513380574_sd.pdf

3D 模型和设计文件

2D 图纸 DXF 513380574.dxf

2D 图纸 DXF PDF 513380574.pdf

3D模型 513380574_stp.zip


规格

包装规格 SPK-51338-001-001.pdf

产品规格 PS-51338-002-001.pdf

产物环境合规

合规

GADSL/IMDS	Compliant with Exemption 44; 34; 33
China RoHS	
EU ELV	Not Relevant
Low-Halogen Status	Low-Halogen per IEC 61249-2-21
REACH SVHC	Not Contained per D(2023)8585-DC (23 Jan 2024)
EU RoHS	Compliant per EU 2015/863

多部分产品合规性声明

- Eu RoHS
- REACH SVHC
- Low-Halogen
- IPC 1752A Class C

- IPC 1752A Class D
- Molex Product Compliance Declaration
- IEC-62474
- chemSHERPA (xml)

欧盟 RoHS 合格证书

产品详情

常规

状态	活动
类别	Board-to-Board Connectors
系列	51338
说明	SlimStack Board-to-Board Receptacle, 0.40mm Pitch, J-Bend Series, 0.20µm Gold (Au) Plating, 1.50 or 2.00mm Mated Height, 3.40mm Mated Width, 50 Circuits
产品系列	0.4, J-Bend
应用	Board-to-Board, Signal
个评论	Solder Tab Plating: Tin (Sn) over Nickel
元件类型	PCB Receptacle
产品系列	SlimStack Board-to-Board/Board-to-FPC Connectors
产品名称	SlimStack
UPC	822348296804

电气

每触点最大电流	0.3A
电压 - 最大	50V AC (RMS)/DC

物理

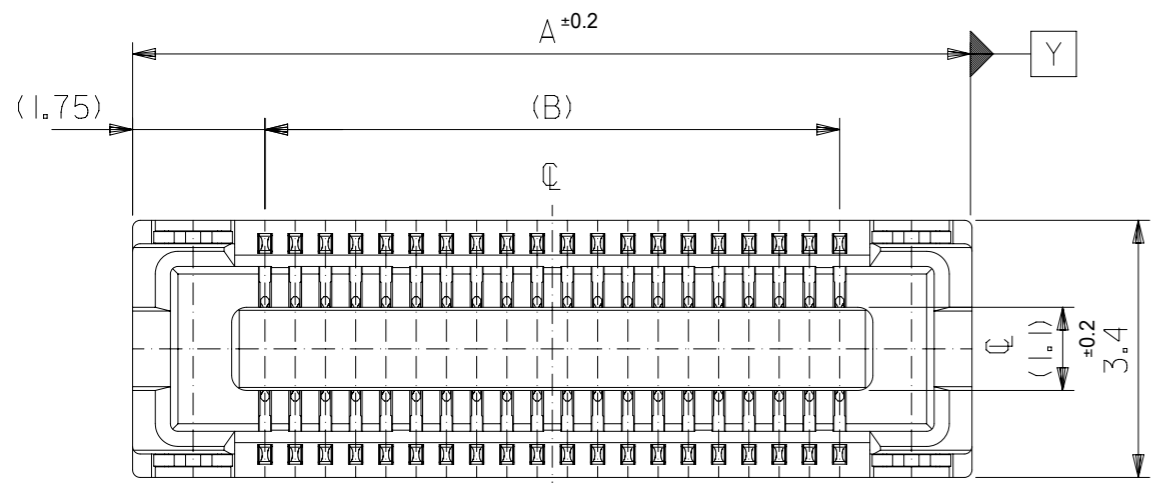
回路数 (已载入)	50
电路数 (最多)	50
颜色-树脂	黑色
耐用性(插拔次数) - 最多次数	30
符合灼热丝规范	否
锁定插接部位	是

插配长度	1.50mm, 2.00mm
插配宽度	3.40mm
材料 - 金属	Phosphor Bronze
材料 - 接合部位电镀	金牌
材料 - 终端电镀	金牌
净重	86.951/mg
行数	2
方向	垂直
包装形式	Embossed Tape on Reel
PCB 定位器	否
PCB 保持力	无
间距 - 插配接口	0.40mm
间距 - 终端界面	0.40mm
最薄镀层 - 接合部位	0.200µm
有极性的插配件	否
PCB 极性	否
运行温度范围	-40° to +105° C
终端界面类型	Surface Mount

可配插/可连接使用的产品

可配插部件

描述	产品编号
0.40mm Pitch SlimStack Board-to-Board Plugs	<u>501745</u>
0.40mm Pitch Vertical SlimStack Plugs	<u>55909</u>



注記 NOTES:

- 使用材料 MATERIAL
 ハウジング: 液晶ポリマー (LCP)
 ガラス充填 UL94V-0 (黒)
 HOUSING: LIQUID CRYSTAL POLYMER (GLASS FILLED)
 UL94V-0 (COLOR: BLACK)
 ターミナル: リン青銅 (t=0.15)
 TERMINAL: PHOSPHOR BRONZE (t=0.15)
 金具: リン青銅 (t=0.15)
 FITTING NAIL: PHOSPHOR BRONZE (t=0.15)
- メッキ仕様 PLATING
 ターミナル TERMINAL
 金メッキ 0.2マイクロメートル以上 (コンタクト部)
 GOLD 0.2MICROMETER MINIMUM (CONTACT AREA)

- 金メッキ 0.4マイクロメートル以下 (テール部)
 GOLD 0.4MICROMETER MAXIMUM (TAIL AREA)
 下地メッキ: ニッケルメッキ 1.5マイクロメートル以上
 UNDER PLATING: NICKEL 1.5MICROMETER MINIMUM
 *コンタクト部とテール部はニッケルメッキによって分断されている金メッキです。
 DIVIDE INTO PARTS THE GOLD PLATING OF THE CONTACT AND THE TAIL PART BY THE NICKEL PLATING.

- 金具 FITTING NAIL
 錫メッキ 1.0 マイクロメートル以上
 TIN PLATING 1.0 MICROMETER MINIMUM
 下地メッキ: ニッケルメッキ 1.0 マイクロメートル以上
 UNDER PLATING: NICKEL 1.0 MICROMETER MINIMUM

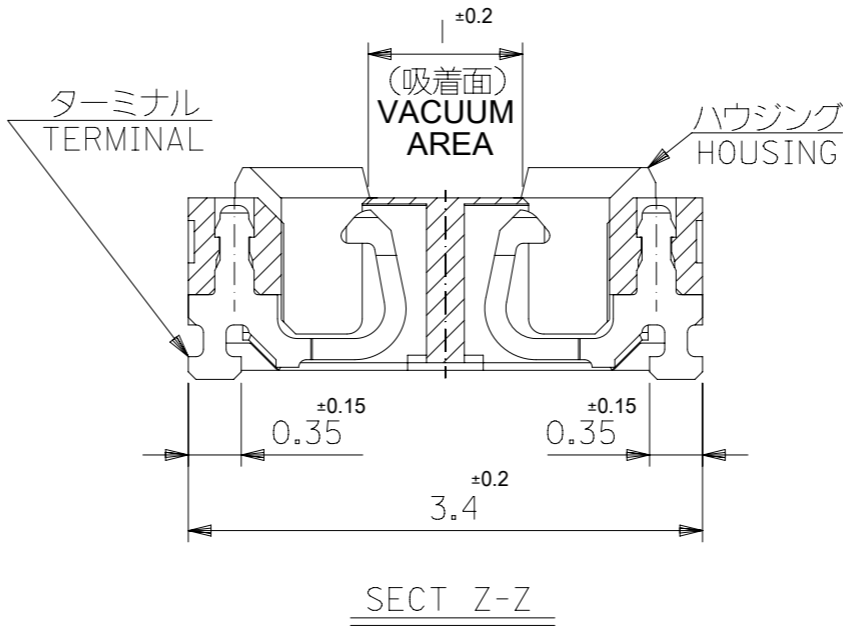
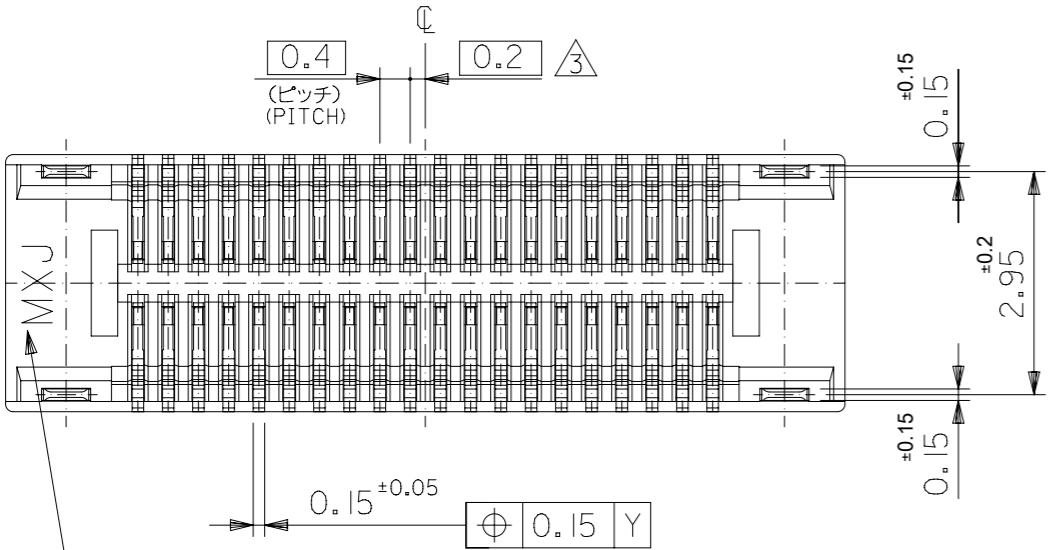
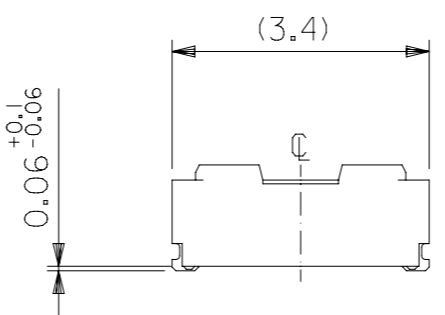
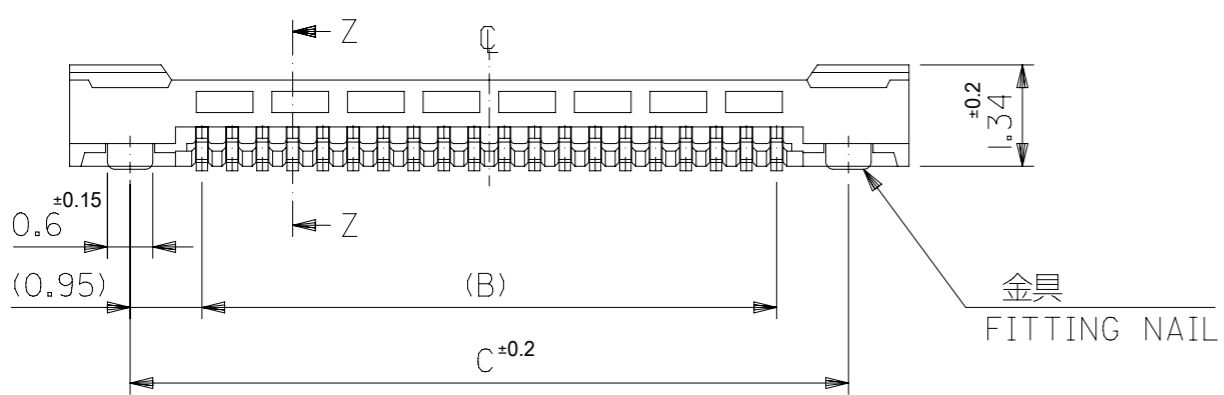
③ (全極数/2) = 偶数の場合に適用。
 APPLY FOR (CIRCUIT/2)=EVEN.

- 嵌合相手: 55909シリーズ (嵌合高さ = 1.5mm) 及び 501745シリーズ (嵌合高さ = 2.0mm)
 MATE WITH : 55909 SERIES (HEIGHT = 1.5mm) AND 501745 SERIES (HEIGHT = 2.0mm)

- テール平坦度は、0.08以下
 テール及び金具の平坦度は、0.1以下
 TAIL COPLANARITY TO BE 0.08MAXIMUM
 TAIL AND FITTING NAIL COPLANARITY TO BE 0.1MAXIMUM

④ 同一回路以外のパターン書込み禁止範囲を示す。
 NO PRINT CIRCUIT AREA OTHER THAN THE SAME CIRCUIT.

- 本製品は 51338-***3 の鉛フリー品である。
 THIS PRODUCT IS LEAD FREE OF 51338-***3.



21.5	19.6	23.1	51338-1074	100
19.5	17.6	21.1	51338-0974	90
17.5	15.6	19.1	51338-0874	80
15.5	13.6	17.1	51338-0774	70
14.3	12.4	15.9	51338-6473	64
13.5	11.6	15.1	51338-0674	60
12.3	10.4	13.9	51338-5473	54
11.5	9.6	13.1	51338-0574	50
10.3	8.4	11.9	51338-4473	44
9.5	7.6	11.1	51338-0474	40
8.3	6.4	9.9	51338-3474	34
7.5	5.6	9.1	51338-0374	30
6.7	4.8	8.3	51338-2674	26
6.3	4.4	7.9	51338-2474	24
5.9	4.0	7.5	51338-2274	22
5.5	3.6	7.1	51338-0274	20
4.7	2.8	6.3	51338-1674	16
3.9	2.0	5.5	51338-9974	12
3.5	1.6	5.1	51338-9873	10
C	B	A	EMBOSSED PACKAGE	CKT.
			ORDER NO. オーダー番号	

CONNECTOR SERIES No. 51338-***9

THIS DRAWING CONTAINS INFORMATION THAT IS PROPRIETARY TO MOLEX ELECTRONIC TECHNOLOGIES, LLC AND SHOULD NOT BE USED WITHOUT WRITTEN PERMISSION

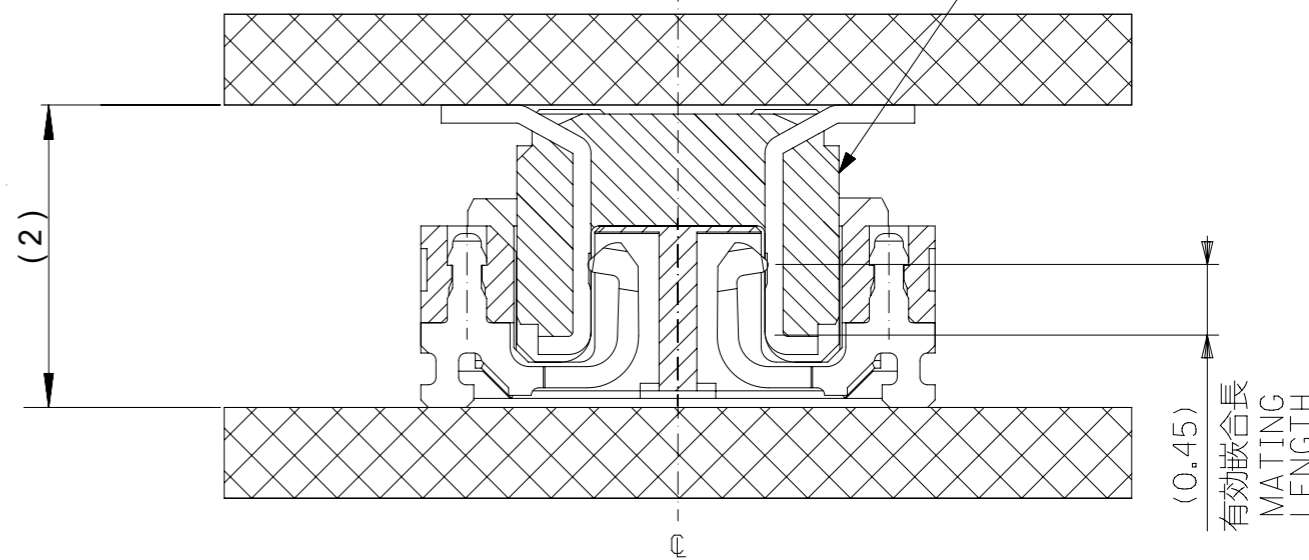
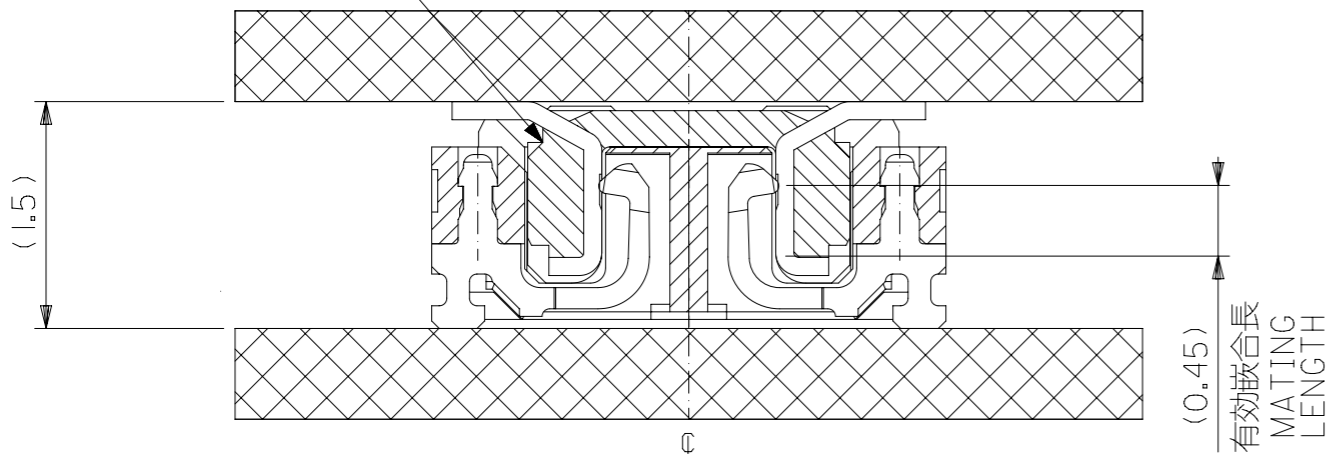
DIMENSION UNITS: mm	SCALE: NTS	CURRENT REV DESC:	molex
GENERAL TOLERANCES (UNLESS SPECIFIED)			
ANGULAR TOL ± °	EC NO: 739909	DRWN: RAJMOK	0.4 B-TO-B CONN. H = 1.5 / 2.0 J-BEND REC.
4 PLACES ±	DRWN: HSHIMOMIYA	2023/02/21	PRODUCT CUSTOMER DRAWING
3 PLACES ±	APPR: YNAITO	2023/02/23	
2 PLACES ±	INITIAL REVISION:	DRWN: MNINOMIYA	DOCUMENT NUMBER
1 PLACE ±	DRWN: MSASAO	2004/03/31	SD-51338-003
0 PLACES ±	APPR: MSASAO	2004/04/02	DOC TYPE DOC PART REVISION
DRAFT WHERE APPLICABLE MUST REMAIN WITHIN DIMENSIONS	THIRD ANGLE PROJECTION	DRAWING	PSD 001 K
		SERIES	SHEET NUMBER
		A3-SIZE 51338	1 OF 2
		MATERIAL NUMBER	SEE TABLE
		CUSTOMER	GENERAL MARKET

MATE : 51338 WITH 55909

MATE : 51338 WITH 501745

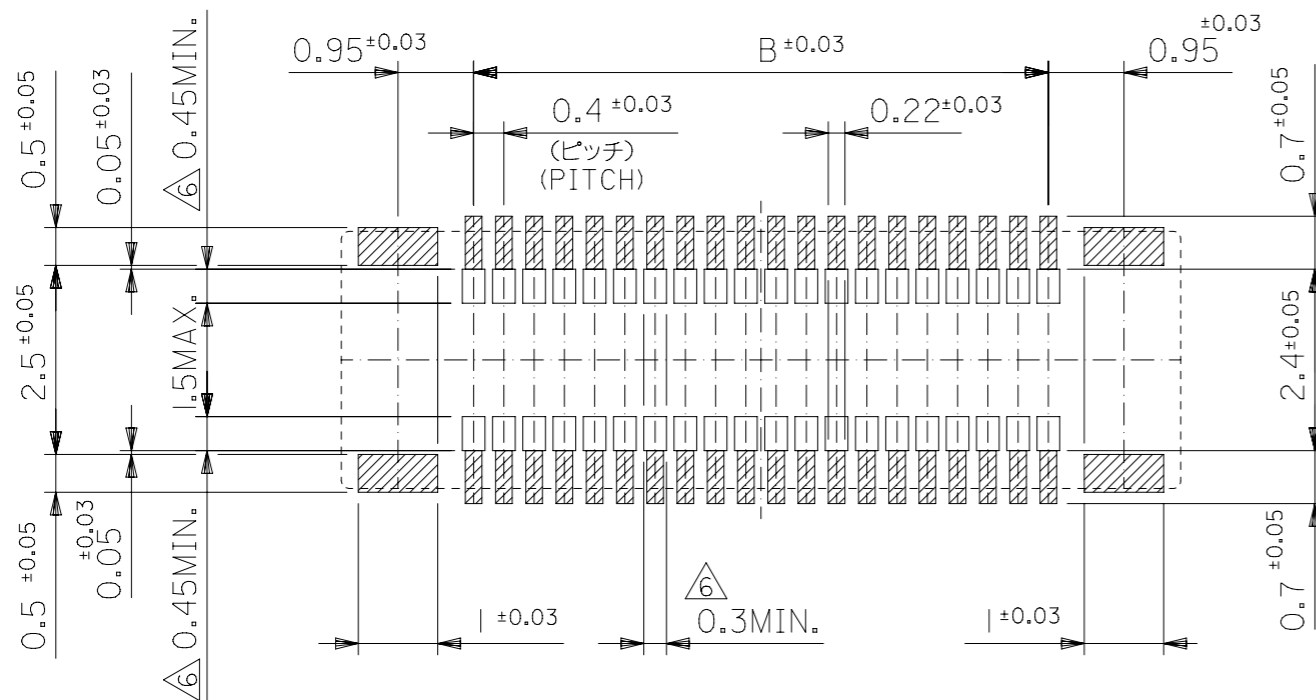
嵌合相手
MATE WITH
55909-****

嵌合相手
MATE WITH
501745-0**1



嵌合断面図 (参考)
MATED DRAWING (REFERENCE)

嵌合断面図 (参考)
MATED DRAWING (REFERENCE)

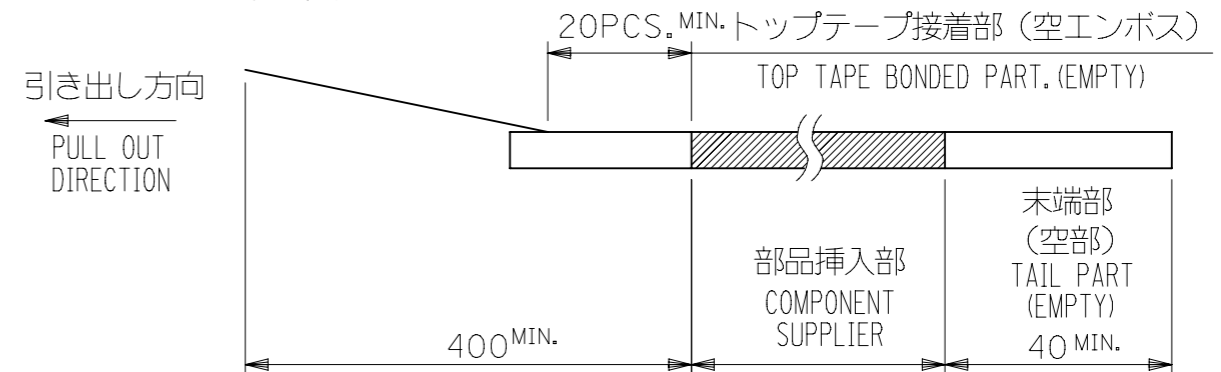


参考基板レイアウト (マウント面)
P.C. BOARD PATTERN DIMENSION. (REFERENCE)
(MOUNTING AREA)

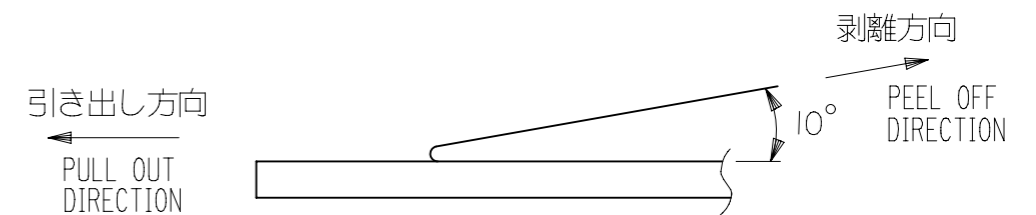
THIS DRAWING CONTAINS INFORMATION THAT IS PROPRIETARY TO MOLEX ELECTRONIC TECHNOLOGIES, LLC AND SHOULD NOT BE USED WITHOUT WRITTEN PERMISSION		CURRENT REV DESC:		molex	
DIMENSION UNITS	SCALE				
mm	NTS				
GENERAL TOLERANCES (UNLESS SPECIFIED)					
ANGULAR TOL	±				
4 PLACES	±				
3 PLACES	±				
2 PLACES	±				
1 PLACE	±				
0 PLACES	±				
DRAFT WHERE APPLICABLE MUST REMAIN WITHIN DIMENSIONS		THIRD ANGLE PROJECTION	DRAWING	SERIES	MATERIAL NUMBER
			A3-SIZE	51338	SEE SHEET-1
		EC NO: 739909		DOCUMENT NUMBER	
		DRWN: RAJMOK		SD-51338-003	
		CHK'D: HSHIMOMIYAMA		DOC TYPE	
		APPR: YNAITO		PSD	
		INITIAL REVISION:		DOC PART	
		DRWN: MNINOMIYA		001	
		APPR: MSASAO		REVISION	
		2004/03/31		K	
		2004/04/02			
		CUSTOMER		SHEET NUMBER	
		GENERAL MARKET		2 OF 2	

NOTES

- 製品詳細寸法については製品単体図面を参照下さい。
DETAIL DIMENSIONS, SEE PRODUCT DRAWING.
- 梱包数量：2500個/リール
NUMBER OF CONNECTORS : 2500PCS/REEL
- リードテープ長さ LEAD TAPE LENGTH



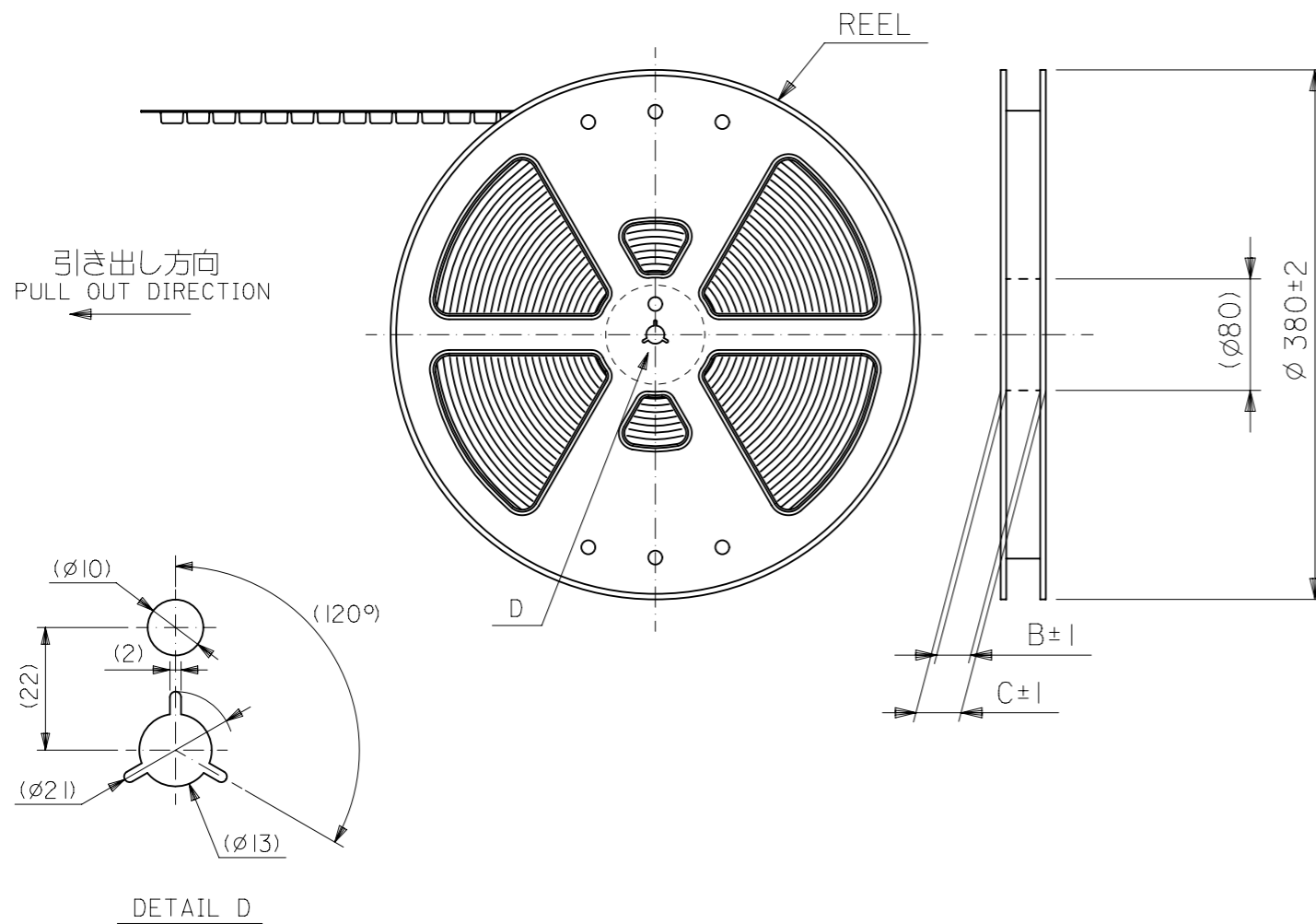
- トップテープの剥離強度：0.1N ~ 1.3N (10gf ~ 130gf)
(剥離方向は下図参照)
尚、本規格値は出荷時に適用。(但し、輸送時に剥離が発生しないこと。)
PEELING OFF FORCE OF TOP TAPE : 0.1N ~ 1.3N (10gf ~ 130gf)
(PEELING DIRECTION AS SHOWN IN FOLLOWING FIG.)
THIS REQUIREMENT SHOULD BE APPLIED AT SHIPMENT.
PEEL OFF SHOULD NOT BE ALLOWED , DURING TRANSPORTATION.



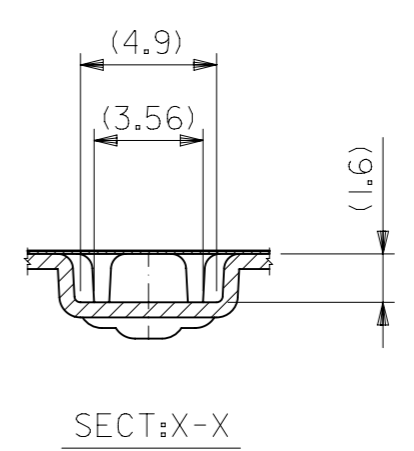
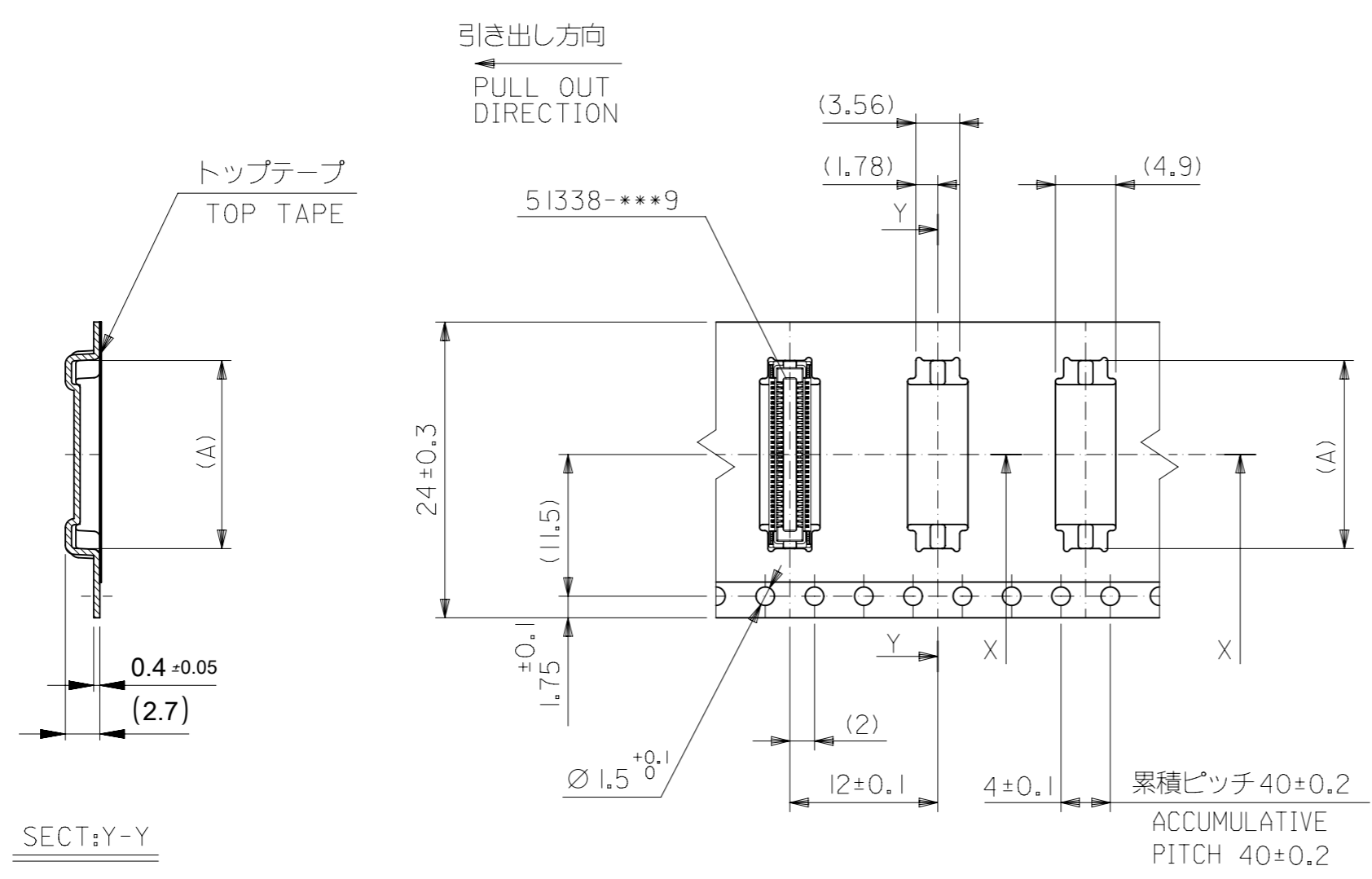
- 材料
キャリアテープ (CARRIER TAPE) : ポリスチレン (PS)
トップテープ (TOPTAPE) : PET
リール (REEL) : ポリスチレン (PS) <リサイクル材を含む>
POLYSTYRENE (PS) <RECYCLE MATERIAL CONTAINED>

- 本製品は 51338-***4 の鉛フリー品である。
THIS PRODUCT IS LEAD FREE OF 51338-***4.

- ELV 及び RoHS 適合品。
ELV AND RoHS COMPLIANT.



THIS DRAWING CONTAINS INFORMATION THAT IS PROPRIETARY TO MOLEX ELECTRONIC TECHNOLOGIES, LLC AND SHOULD NOT BE USED WITHOUT WRITTEN PERMISSION		CURRENT REV DESC:		molex	
DIMENSION UNITS	SCALE				
mm	NTS			PRODUCT CUSTOMER DRAWING	
GENERAL TOLERANCES (UNLESS SPECIFIED)		EC NO: 638555		DOCUMENT NUMBER	
ANGULAR TOL	± °	DRWN: BKBAE 2020/05/15		SD-51338-004	
4 PLACES	±	CHK'D: SHCHU 2020/05/29		DOC TYPE	DOC PART
3 PLACES	±	APPR: SHCHU 2020/06/01		PSD	001
2 PLACES	±	INITIAL REVISION:		REVISION	H
1 PLACE	±	DRWN: MNINOMIYA 2004/03/31			
0 PLACES	±	APPR: MSASAO 2004/04/02			
DRAFT WHERE APPLICABLE MUST REMAIN WITHIN DIMENSIONS	THIRD ANGLE PROJECTION	DRAWING	SERIES	MATERIAL NUMBER	CUSTOMER
		A3-SIZE	51338	SEE CHART	GENERAL MARKET
				SHEET NUMBER	
				1 OF 4	

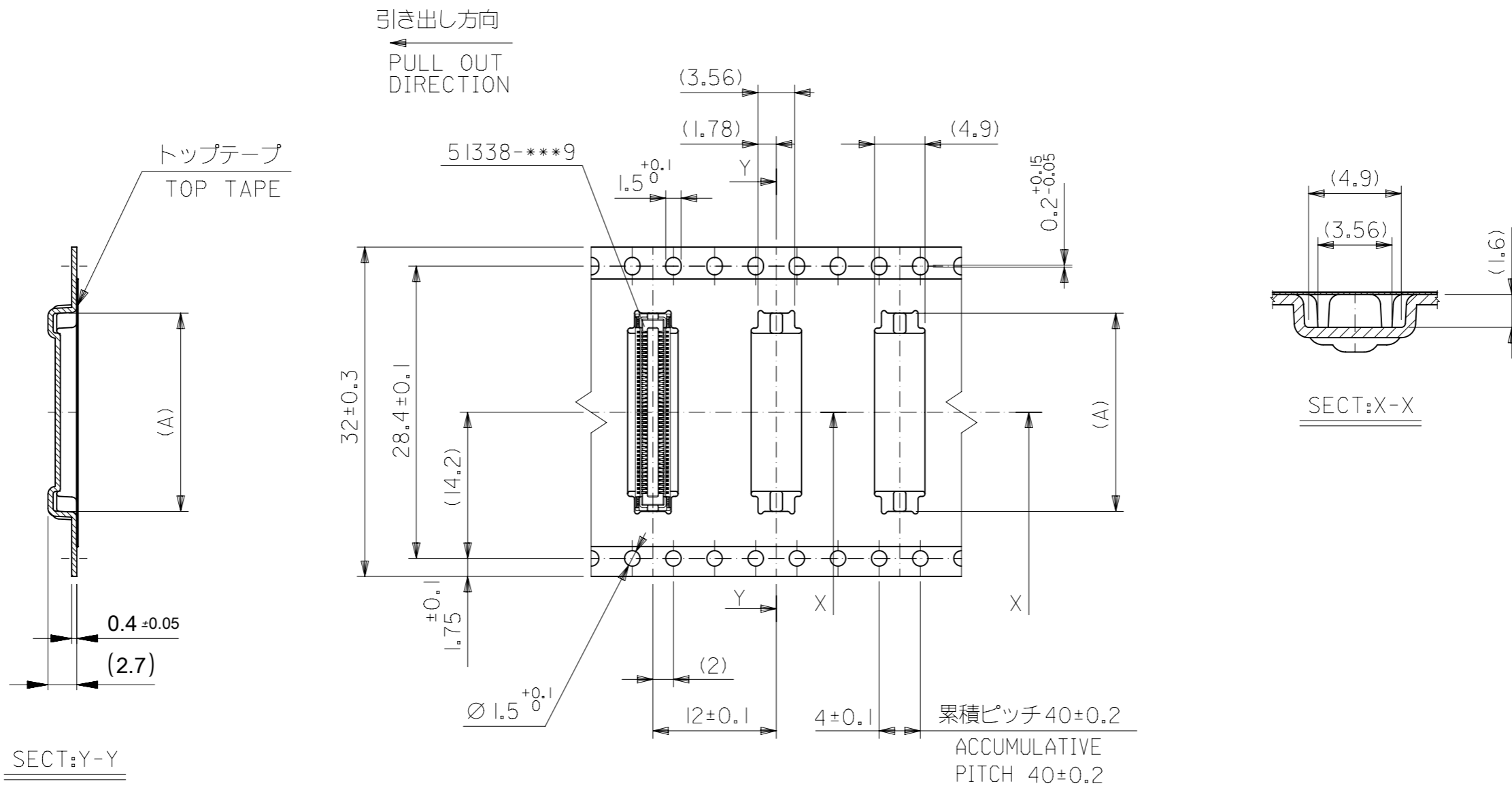


24mm幅キャリアテープ
24mm WIDTH CARRIER TAPE

24	29.4	25.4	16.06	51338-6473	64
			15.26	51338-0674	60
			14.06	51338-5473	54
			13.26	51338-0574	50
			12.06	51338-4473	44
			11.26	51338-0474	40
			10.06	51338-3474	34
			9.26	51338-0374	30
			8.46	51338-2674	26
			8.06	51338-2474	24
			7.66	51338-2274	22
7.26	51338-0274	20			
6.46	51338-1674	16			
5.66	51338-9974	12			
5.26	51338-9873	10			
キャリアテープ幅 CARRIER TAPE WIDTH	C	B	(A)	EMBOSSED PACKAGE ORDER NO. オーダー番号	CKT.

CONNECTOR SERIES No. 51338-***9

THIS DRAWING CONTAINS INFORMATION THAT IS PROPRIETARY TO MOLEX ELECTRONIC TECHNOLOGIES, LLC AND SHOULD NOT BE USED WITHOUT WRITTEN PERMISSION		CURRENT REV DESC:		molex	
DIMENSION UNITS	SCALE				
mm	NTS			PRODUCT CUSTOMER DRAWING	
GENERAL TOLERANCES (UNLESS SPECIFIED)		EC NO: 638555		DOCUMENT NUMBER	
ANGULAR TOL ± °		DRWN: BKBAE 2020/05/15		SD-51338-004	
4 PLACES ±		CHK'D: SHCHU 2020/05/29		DOC TYPE DOC PART REVISION	
3 PLACES ±		APPR: SHCHU 2020/06/01		PSD 001 H	
2 PLACES ±		INITIAL REVISION:		MATERIAL NUMBER	
1 PLACE ±		DRWN: MNINOMIYA 2004/03/31		CUSTOMER	
0 PLACES ±		APPR: MSASAO 2004/04/02		GENERAL MARKET	
DRAFT WHERE APPLICABLE MUST REMAIN WITHIN DIMENSIONS		THIRD ANGLE PROJECTION	DRAWING	SERIES	SHEET NUMBER
			A3-SIZE	51338	2 OF 4

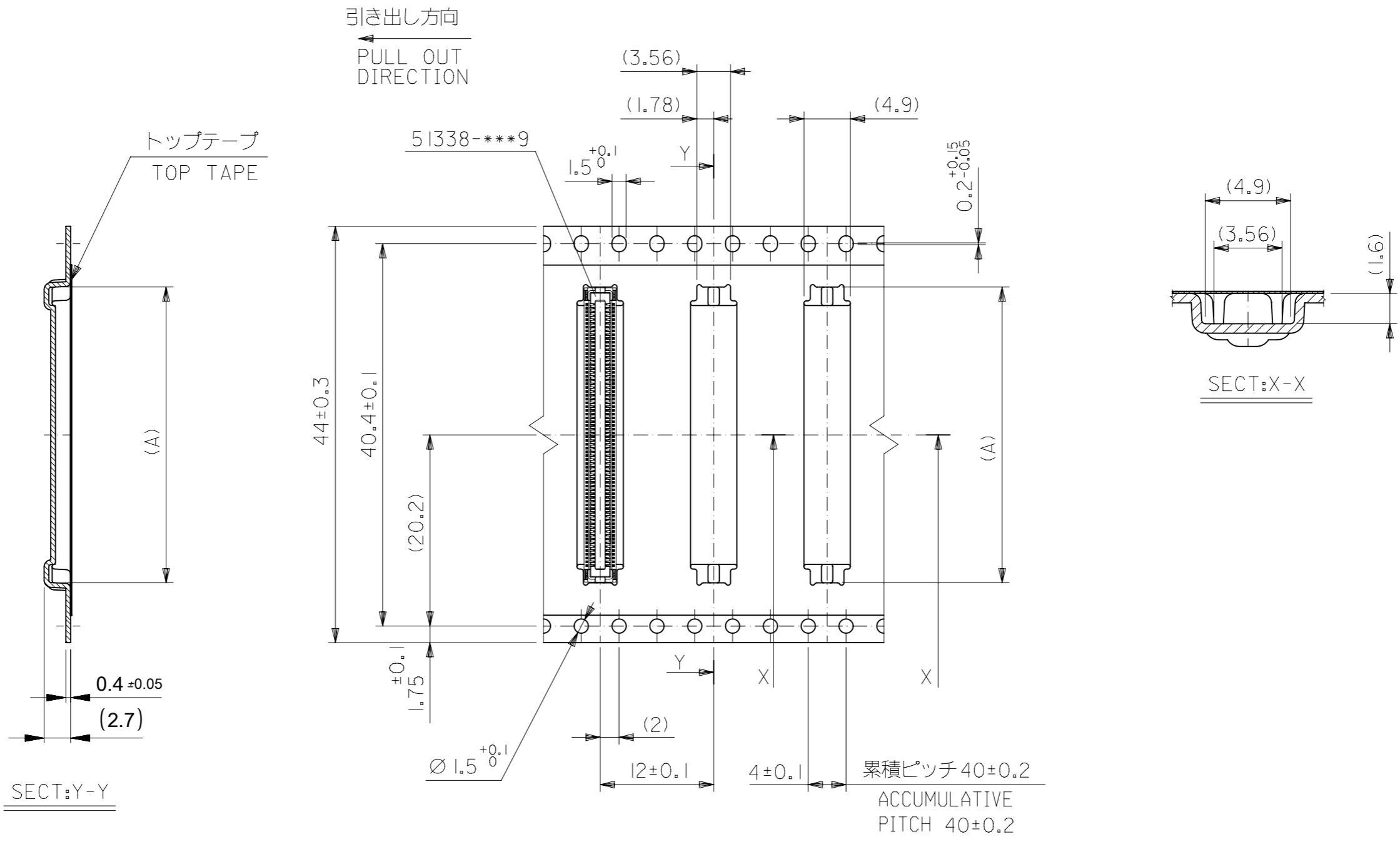


32mm幅キャリアテープ
32mm WIDTH CARRIER TAPE

32	37.4	33.4	21.26	51338-0974	90
			19.26	51338-0874	80
			17.26	51338-0774	70
キャリアテープ幅 CARRIER TAPE WIDTH	C	B	(A)	EMBOSSED PACKAGE ORDER NO. オーダー番号	CKT.
CONNECTOR SERIES No.				51338-***9	

THIS DRAWING CONTAINS INFORMATION THAT IS PROPRIETARY TO MOLEX ELECTRONIC TECHNOLOGIES, LLC AND SHOULD NOT BE USED WITHOUT WRITTEN PERMISSION

DIMENSION UNITS mm	SCALE NTS	CURRENT REV DESC:		molex		
GENERAL TOLERANCES (UNLESS SPECIFIED)		EC NO: 638555				
ANGULAR TOL	± °	DRWN: BKBAE 2020/05/15		PRODUCT CUSTOMER DRAWING		
4 PLACES	±	CHK'D: SHCHU 2020/05/29		DOCUMENT NUMBER		
3 PLACES	±	APPR: SHCHU 2020/06/01		SD-51338-004		
2 PLACES	±	INITIAL REVISION:		DOC TYPE		
1 PLACE	±	DRWN: MNINOMIYA 2004/03/31		PSD		
0 PLACES	±	APPR: MSASAO 2004/04/02		DOC PART		
DRAFT WHERE APPLICABLE MUST REMAIN WITHIN DIMENSIONS		THIRD ANGLE PROJECTION	DRAWING	SERIES	MATERIAL NUMBER	CUSTOMER
			A3-SIZE	51338	SEE CHART	GENERAL MARKET
						REVISION
						H
						SHEET NUMBER
						3 OF 4



44mm幅キャリアテープ
44mm WIDTH CARRIER TAPE

44	49.4	45.4	23.26	51338-1074	100
キャリアテープ幅 CARRIER TAPE WIDTH			C	B	(A)
				EMBOSSED PACKAGE	CKT.
				ORDER NO. オーダー番号	

CONNECTOR SERIES No. 51338-***9

THIS DRAWING CONTAINS INFORMATION THAT IS PROPRIETARY TO MOLEX ELECTRONIC TECHNOLOGIES, LLC AND SHOULD NOT BE USED WITHOUT WRITTEN PERMISSION		CURRENT REV DESC:		molex	
DIMENSION UNITS	SCALE				
mm	NTS			PRODUCT CUSTOMER DRAWING	
GENERAL TOLERANCES (UNLESS SPECIFIED)		EC NO: 638555		DOCUMENT NUMBER	
ANGULAR TOL ± °		DRWN: BKBAE 2020/05/15		SD-51338-004	
4 PLACES ±		CHK'D: SHCHU 2020/05/29		DOC TYPE	
3 PLACES ±		APPR: SHCHU 2020/06/01		PSD	
2 PLACES ±		INITIAL REVISION:		DOC PART	
1 PLACE ±		DRWN: MNINOMIYA 2004/03/31		001	
0 PLACES ±		APPR: MSASAO 2004/04/02		H	
DRAFT WHERE APPLICABLE MUST REMAIN WITHIN DIMENSIONS		THIRD ANGLE PROJECTION	DRAWING	SERIES	MATERIAL NUMBER
			A3-SIZE	51338	SEE CHART
					CUSTOMER
					GENERAL MARKET
					SHEET NUMBER
					4 OF 4