

产品编号 : [513384473](#)

**Product Description** : SlimStack Board-to-Board Receptacle, 0.40mm Pitch, J-Bend Series, 0.20µm Gold (Au) Plating, 1.50 or 2.00mm Mated Height, 3.40mm Mated Width, 44 Circuits

系列号 : 51338

状态 : Active

**Product Category** : Board-to-Board Connectors

---

## 文件和资源

### 图纸

[图纸 513384473\\_sd.pdf](#)

### 3D 模型和设计文件

[2D 图纸 DXF 513384473.dxf](#)

[2D 图纸 DXF PDF 513384473.pdf](#)

[3D模型 513384473\\_stp.zip](#)

### 规格


[包装规格 SPK-51338-001-001.pdf](#)

[产品规格 PS-51338-002-001.pdf](#)

---

## 产物环境合规

### 合规

GADSL/IMDS	Compliant with Exemption 44; 34; 33
China RoHS	
EU ELV	Not Relevant
Low-Halogen Status	Low-Halogen per IEC 61249-2-21
REACH SVHC	Not Contained per D(2023)8585-DC (23 Jan 2024)
EU RoHS	Compliant per EU 2015/863

### 多部分产品合规性声明

- Eu RoHS
- REACH SVHC
- Low-Halogen
- IPC 1752A Class C

- IPC 1752A Class D
- Molex Product Compliance Declaration
- IEC-62474
- chemSHERPA (xml)

欧盟 RoHS 合格证书

## 产品详情

### 常规

状态	活动
类别	Board-to-Board Connectors
系列	51338
说明	SlimStack Board-to-Board Receptacle, 0.40mm Pitch, J-Bend Series, 0.20µm Gold (Au) Plating, 1.50 or 2.00mm Mated Height, 3.40mm Mated Width, 44 Circuits
产品系列	0.4, J-Bend
应用	Board-to-Board, Signal
个评论	Solder Tab Plating: Tin (Sn) over Nickel
元件类型	PCB Receptacle
产品系列	SlimStack Board-to-Board/Board-to-FPC Connectors
产品名称	SlimStack
UPC	884982137622

### 电气

每触点最大电流	0.3A
电压 - 最大	50V AC (RMS)/DC

### 物理

回路数 (已载入)	44
电路数 (最多)	44
颜色-树脂	黑色
耐用性(插拔次数) - 最多次数	30
符合灼热丝规范	否
锁定插接部位	是

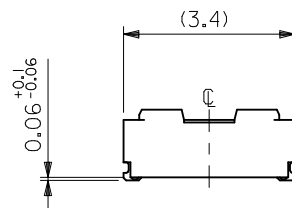
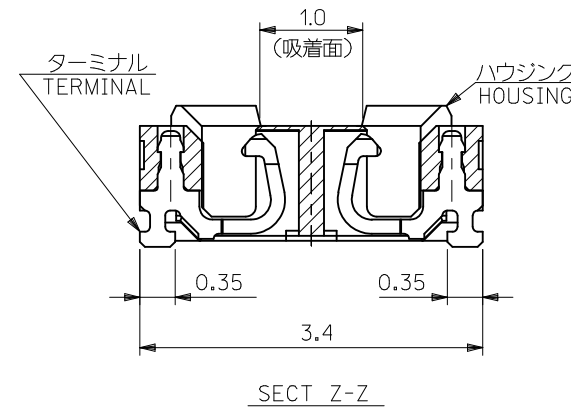
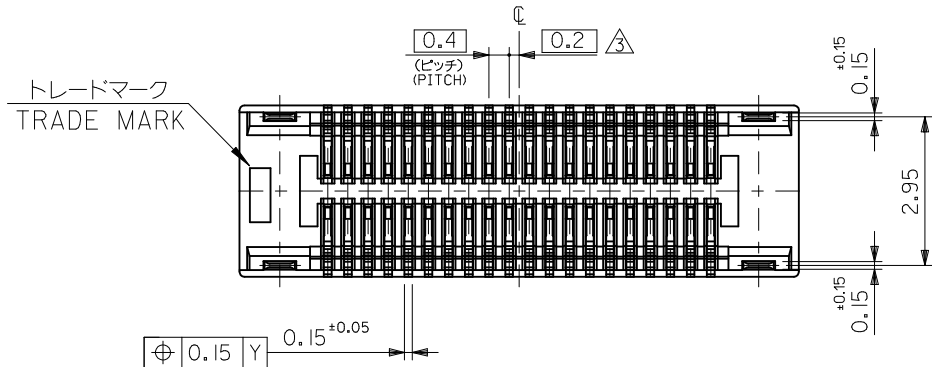
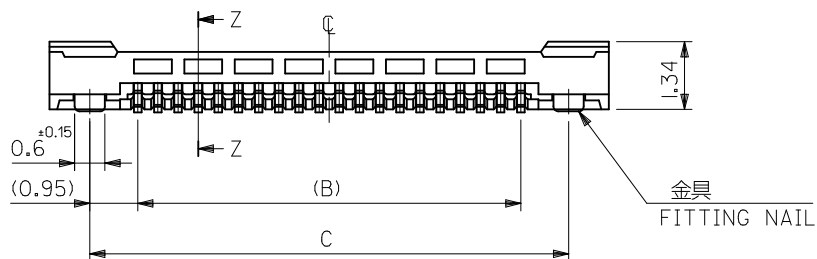
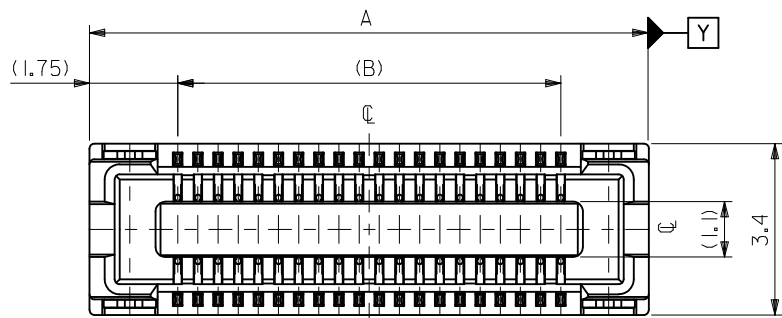
插配长度	1.50mm, 2.00mm
插配宽度	3.40mm
材料 - 金属	Phosphor Bronze
材料 - 接合部位电镀	金牌
材料 - 终端电镀	金牌
净重	78.586/mg
行数	2
方向	垂直
包装形式	Embossed Tape on Reel
PCB 定位器	否
PCB 保持力	无
间距 - 插配接口	0.40mm
间距 - 终端界面	0.40mm
最薄镀层 - 接合部位	0.200µm
有极性的插配件	否
PCB 极性	否
运行温度范围	-40° to +105° C
终端界面类型	Surface Mount

---

## 可配插/可连接使用的产品

### 可配插部件

描述	产品编号
0.40mm Pitch Vertical SlimStack Plugs	<u>55909</u>

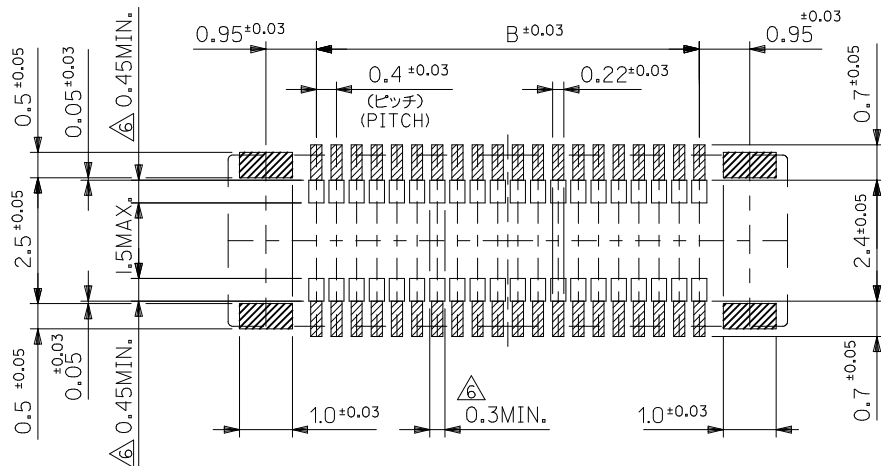


14.3	12.4	15.9	51338-6473	64
12.3	10.4	13.9	51338-5473	54
10.3	8.4	11.9	51338-4473	44
3.5	1.6	5.1	51338-9873	10
C	B	A	EMBOSSED TAPE PKG	極数
ORDER No. オーダー番号				CIRCUIT

REVISED EC NO: J2010-2586 DRWN: YON002 CHKD: S. MARUYAMA APPR: MSASAO	DESCRIPTION REV	GENERAL TOLERANCES (UNLESS SPECIFIED)		DIMENSION STYLE MM ONLY	SCALE ---	DESIGN UNITS METRIC	CONNECTOR SERIES No.: 51338-***9
		10 UNDER	±0.2	DRAWN BY Y. NUKANOBU	DATE 2010/01/25	TITLE 0.4 B-TO-B REC ASSY HGT=1.5 J-BEND TAIL	THIRD ANGLE PROJECTION
		10 OVER 30 UNDER	±0.25	CHECKED BY S. MARUYAMA	DATE 2010/01/25	MOLEX INCORPORATED	
		30 OVER	±0.3	APPROVED BY M. SASAO	DATE 2010/01/25		DOCUMENT NO. SD-51338-005
ANGULAR ±3 °		DRAFT WHERE APPLICABLE MUST REMAIN WITHIN DIMENSIONS		SIZE A3	THIS DRAWING CONTAINS INFORMATION THAT IS PROPRIETARY TO MOLEX INCORPORATED AND SHOULD NOT BE USED WITHOUT WRITTEN PERMISSION		

注記 NOTES:

- 使用材料 MATERIAL  
 ハウジング: 液晶ポリマー (LCP) ガラス充填 UL94V-0 (黒)  
 HOUSING: LIQUID CRYSTAL POLYMER (GLASS FILLED)  
 UL94V-0 (COLOR: BLACK)  
 ターミナル: リン青銅 (t=0.15)  
 TERMINAL: PHOSPHOR BRONZE (t=0.15)  
 金具: リン青銅 (t=0.15)  
 FITTING NAIL: PHOSPHOR BRONZE (t=0.15)
- メッキ仕様 PLATING  
 ターミナル TERMINAL  
 金メッキ 0.2マイクロメートル以上 (コンタクト部)  
 GOLD 0.2MICROMETER MINIMUM (CONTACT AREA)  
 金メッキ 0.4マイクロメートル以下 (テール部)  
 GOLD 0.4MICROMETER MAXIMUM (TAIL AREA)  
 下地メッキ: ニッケルメッキ 1.5マイクロメートル以上  
 UNDER PLATING: NICKEL 1.5MICROMETER MINIMUM  
 \*コンタクト部とテール部はニッケルメッキによって分断されている金メッキです。  
 DIVIDE INTO PARTS THE GOLD PLATING OF THE CONTACT AND THE TAIL PART BY THE NICKEL PLATING.  
 金具 FITTING NAIL  
 錫メッキ 1.0 マイクロメートル以上  
 TIN PLATING 1.0 MICROMETER MINIMUM  
 下地メッキ: ニッケルメッキ 1.0 マイクロメートル以上  
 UNDER PLATING: NICKEL 1.0 MICROMETER MINIMUM
- (全極数/2) = 偶数の場合に適用。  
 APPLY FOR (CIRCUIT/2) = EVEN.
- 嵌合相手: 55909シリーズ  
 MATE WITH: 55909 SERIES.
- テール平坦度は、0.08以下  
 テール及び金具の平坦度は、0.1以下  
 TAIL COPLANARITY TO BE 0.08 MAXIMUM  
 TAIL AND FITTING NAIL COPLANARITY TO BE 0.1 MAXIMUM
- 同一回路以外のパターン書込み禁止範囲を示す。  
 NO PRINT CIRCUIT AREA OTHER THAN THE SAME CIRCUIT.
- 本製品は 51338-\*\*\*3 の鉛フリー品である。  
 THIS PRODUCT IS LEAD FREE OF 51338-\*\*\*3.
- ELV及びRoHS適合品  
 ELV AND RoHS COMPLIANT

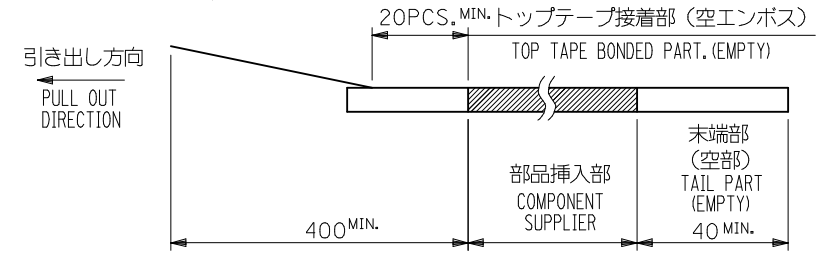


参考基板レイアウト (マウント面)  
 P.W. BOARD PATTERN DIMENSION (REFERENCE)  
 (MOUNTING AREA)

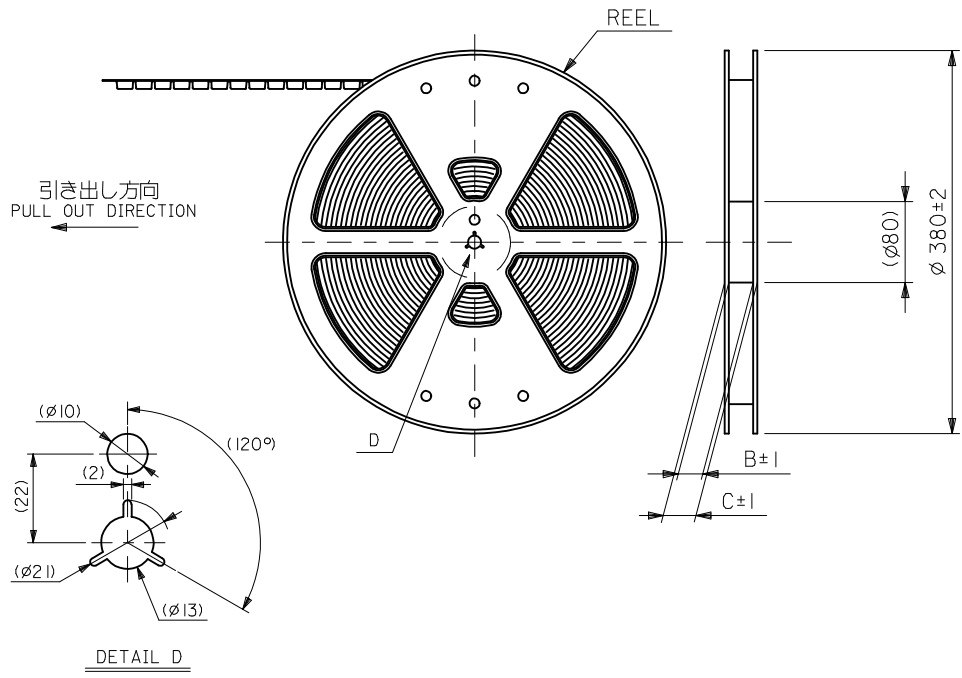
REVISED EC NO: J2010-2586 DRWN: YON002 CHKD: S. MARUYAMA APPR: MSASAO	DESCRIPTION 2010/06/24 2010/06/29 2010/06/29	GENERAL TOLERANCES (UNLESS SPECIFIED)		DIMENSION STYLE MM ONLY	SCALE ---	CONNECTOR SERIES No.: 51338-***9	
		10 UNDER	± 0.2	DRAWN BY Y. NUKANOBU	DATE 2010/01/25	DESIGN UNITS METRIC	THIRD ANGLE PROJECTION
		10 OVER 30 UNDER	± 0.25	CHECKED BY S. MARUYAMA	DATE 2010/01/25	TITLE 0.4 B-TO-B REC ASSY HGT=1.5 J-BEND TAIL	
		30 OVER	± 0.3	APPROVED BY M. SASAO	DATE 2010/01/25	MOLEX INCORPORATED	
REV	DESCRIPTION	ANGULAR	± 3 °	MATERIAL NO. SEE SHEET 1	DOCUMENT NO. SD-51338-005	SHEET NO. 2 OF 2	
DRAFT WHERE APPLICABLE MUST REMAIN WITHIN DIMENSIONS			SIZE A3	THIS DRAWING CONTAINS INFORMATION THAT IS PROPRIETARY TO MOLEX INCORPORATED AND SHOULD NOT BE USED WITHOUT WRITTEN PERMISSION			

NOTES

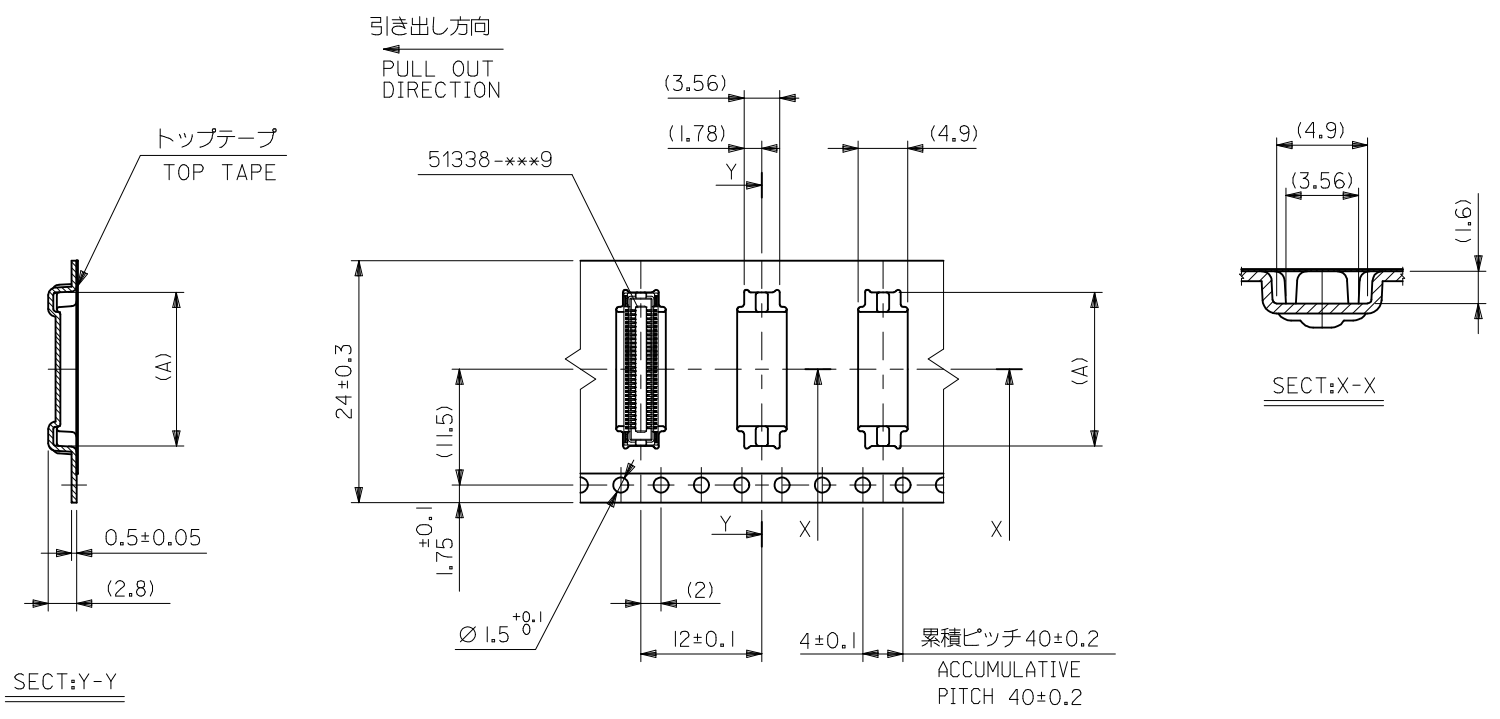
- 製品詳細寸法については、SD-51338-005 を参照下さい。  
RE DETAILED DIMENSION, SEE PRODUCT DRAWING SD-51338-005.
- 梱包数量：2500個/リール  
NUMBER OF CONNECTORS : 2500PCS/REEL
- リードテープ長さ LEAD TAPE LENGTH



- 4.材料  
 キャリアテープ : PS  
 トップテープ : PS, OTHER  
 リール : PS<リサイクル材を含む>
- MATERIAL  
 CARRIER TAPE : PS  
 TOP TAPE : PS, OTHER  
 REEL : PS <RECYCLE MATERIAL CONTAINED>
- 5.ELV 及び RoHS 適合品。  
 ELV AND RoHS COMPLIANT.



REVISED EC NO: J2015-0987 DRWN:KMIYAHARA 2015/01/27 CHKD:KTAKAKO3 2015/09/07 APPR:KMORIKAWA 2015/09/11	DESCRIPTION A	GENERAL TOLERANCES (UNLESS SPECIFIED)		DIMENSION STYLE MM ONLY		51338-**73		MODEL NO.			
		0.25 UNDER	UNDER	±0.03	DRAWN BY	DATE	SCALE	DESIGN UNITS	THIRD ANGLE PROJECTION		
		0.25 OVER	0.5 UNDER	±0.05	YON002	2010/06/23	---	METRIC	TITLE 0.4 B-TO-B CONN. REC HSG ASSY(HGT=1.5) EMBSTP PKG		
		0.5 OVER	1.0 UNDER	±0.1	CHECKED BY	DATE	MATERIAL NO.				
		1.0 OVER	10 UNDER	±0.2	APPROVED BY	DATE	SEE CHART		SD-51338-006		1 OF 2
10 OVER	30 UNDER	±0.25	MSASAO	2010/06/29	THIS DRAWING CONTAINS INFORMATION THAT IS PROPRIETARY TO MOLEX INCORPORATED AND SHOULD NOT BE USED WITHOUT WRITTEN PERMISSION						
30 OVER		±0.3									
ANGULAR ±3 °		DRAFT WHERE APPLICABLE MUST REMAIN WITHIN DIMENSIONS		SIZE A3							



24mm幅キャリアテープ  
24mm WIDTH CARRIER TAPE

注記) 製品がポケット内に問題なく納まること。  
NOTE. Pocket should contain product smoothly.

24	29.4	25.4	16.06	51338-6473	64
			14.06	51338-5473	54
			12.06	51338-4473	44
			5.26	51338-9873	10
キャリアテープ幅 CARRIER TAPE WIDTH	C	B	(A)	オーダー番号 ORDER NO.	極数 CIRCUITS

REVISED EC NO: J2015-0987 DRW:KMIYAHARA 2015/01/27 CHK:D:KANAKA03 2015/09/07 APPR:KMORIKAWA 2015/09/11 A	GENERAL TOLERANCES (UNLESS SPECIFIED)	DIMENSION STYLE	SCALE	DESIGN UNITS	MODEL NO.
	0.25 UNDER UNDER ±0.03	MM ONLY	---	METRIC	51338-***73
	0.25 OVER 0.5 UNDER ±0.05	DRAWN BY DATE	TITLE	THIRD ANGLE PROJECTION	
	0.5 OVER 1.0 UNDER ±0.1	YON002 2010/06/23	0.4 B-TO-B CONN. REC HSG ASSY(HGT=1.5) EMBSTP PKG		
	1.0 OVER 10 UNDER ±0.2	CHECKED BY DATE	APPROVED BY DATE		
	10 OVER 30 UNDER ±0.25	MSASAO 2010/06/29	MSASAO 2010/06/29		
30 OVER ±0.3	MATERIAL NO.	SEE CHART	DOCUMENT NO.	SD-51338-006	
ANGULAR ±3 °				SHEET NO. 2 OF 2	
DRAFT WHERE APPLICABLE MUST REMAIN WITHIN DIMENSIONS	SIZE	THIS DRAWING CONTAINS INFORMATION THAT IS PROPRIETARY TO MOLEX INCORPORATED AND SHOULD NOT BE USED WITHOUT WRITTEN PERMISSION			
	A3				