

产品编号 : [513533800](#)

Product Description : 2.00mm Pitch
MicroClasp Wire-to-Board Receptacle
Housing, Positive Lock, Dual Row, 38
Circuits, White

系列号 : 51353

状态 : Active

Product Category : Connector Housings



文件和资源

图纸

[图纸 513533800_sd.pdf](#)

3D 模型和设计文件

[3D模型 513533800_stp.zip](#)

规格


[应用规格 561340000-AS-000.pdf](#)

[包装规格 SPK-51353-001-001.pdf](#)

[产品规格 PS-51353-003-001.pdf](#)

产物环境合规

合规

GADSL/IMDS	Not Relevant
China RoHS	
EU ELV	Not Relevant
Low-Halogen Status	Low-Halogen per IEC 61249-2-21
REACH SVHC	Not Contained per D(2023)3788-DC (14 Jun 2023)
EU RoHS	Compliant per EU 2015/863

多部分产品合规性声明

- Eu RoHS
- REACH SVHC
- Low-Halogen

多部分行业合规性文件

- IPC 1752A Class C

- IPC 1752A Class D
- Molex Product Compliance Declaration
- IEC-62474
- chemSHERPA (xml)

欧盟 RoHS 合格证书

产品详情

常规

状态	活动
类别	Connector Housings
系列	51353
说明	2.00mm Pitch MicroClasp Wire-to-Board Receptacle Housing, Positive Lock, Dual Row, 38 Circuits, White
应用	Signal, Wire-to-Board
产品系列	MicroClasp Wire-to-Board System
产品名称	MicroClasp
UPC	756054235881

机构

UL	E29179
----	--------

物理

电路数（最多）	38
颜色-树脂	白色
阻燃性	94V-0
性别	Receptacle
符合灼热丝规范	否
锁定插接部位	是
材料 - 树脂	Nylon
净重	1651.000/mg
行数	2
包装形式	Bag
面板安装式	否
间距 - 插配接口	2.00mm

可堆叠的	否
运行温度范围	-40° to +105° C

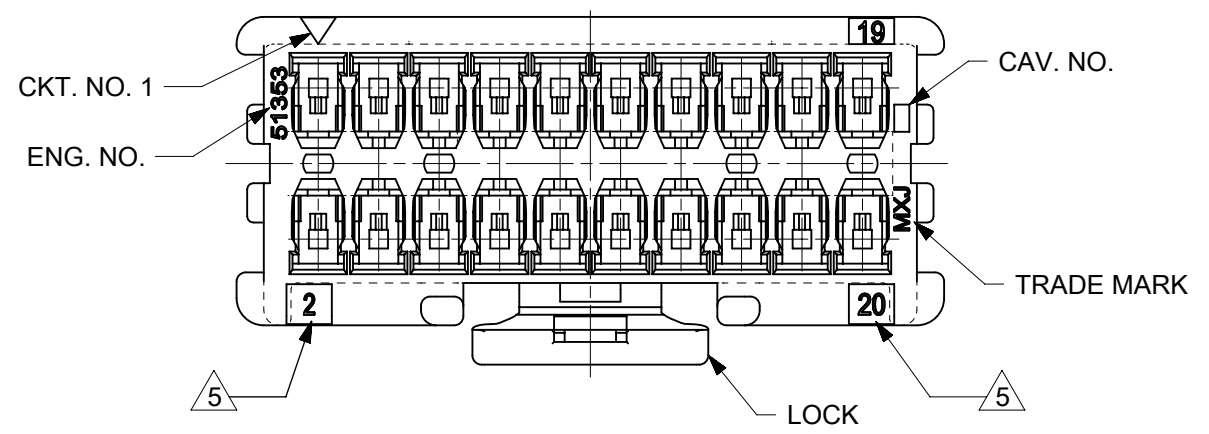
可配插/可连接使用的产品

可配插部件

描述	产品编号
MicroClasp Vertical Dual Row Headers	<u>501844</u>
MicroClasp Vertical Dual Row Headers	<u>55917</u>
MicroClasp Right-Angle Dual Row Headers	<u>55959</u>

可连接使用部件

描述	产品编号
Pre-Crimped Lead MicroClasp Female-to-MicroClasp Female, Tin (Sn) Plating, 150.00mm Length, 24 AWG, Black	<u>/content/molex/molex-dot-com/cn/zh/products/product-page.html/797581001.html</u>
Pre-Crimped Lead MicroClasp Female-to-MicroClasp Female, Tin (Sn) Plating, 300.00mm Length, 24 AWG, Black	<u>/content/molex/molex-dot-com/cn/zh/products/product-page.html/797581002.html</u>
MicroClasp Terminal Position Assurance (TPA) Retainers	<u>500638</u>
2.00mm Pitch Female Crimp Terminals	<u>56134</u>

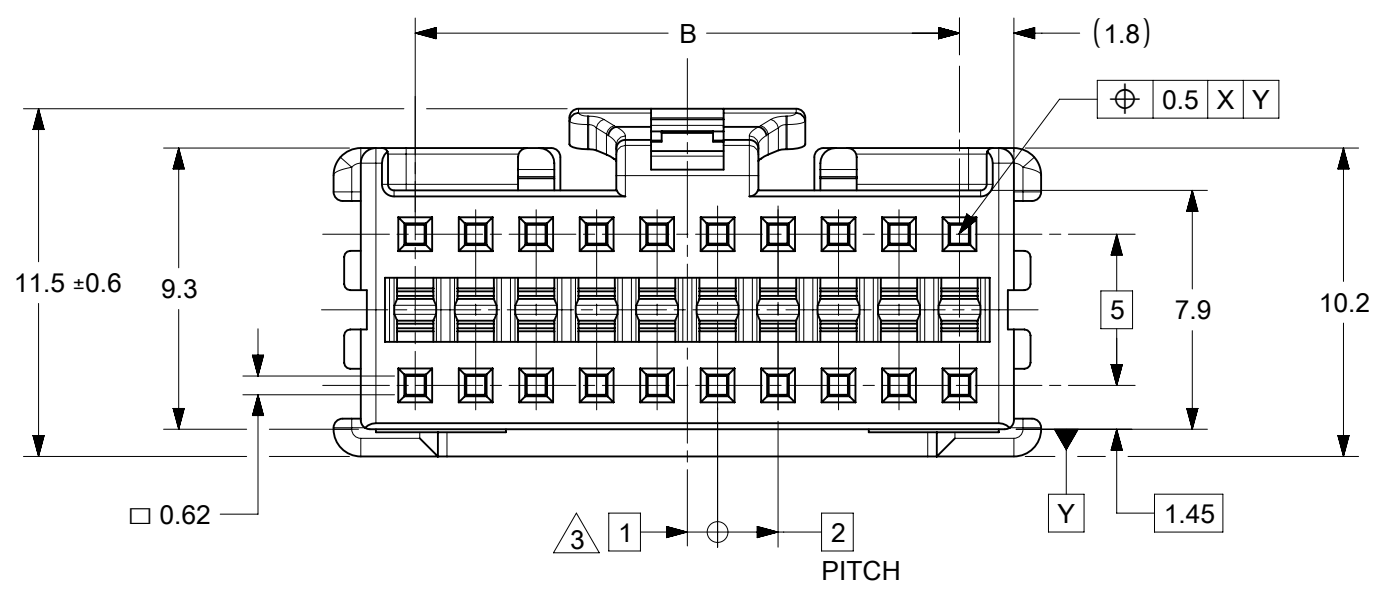
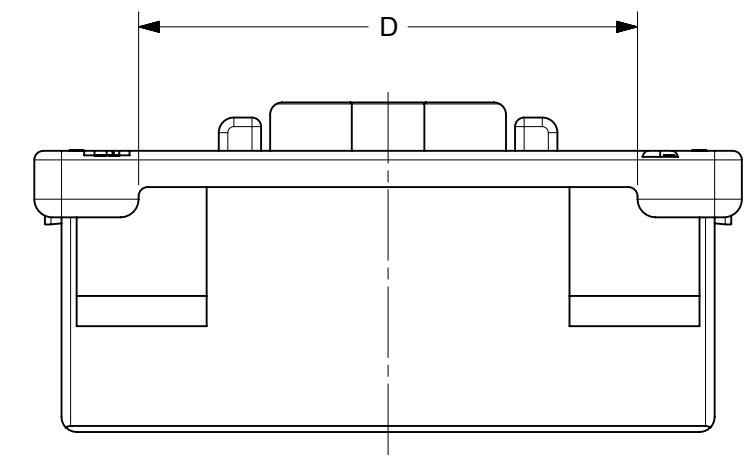
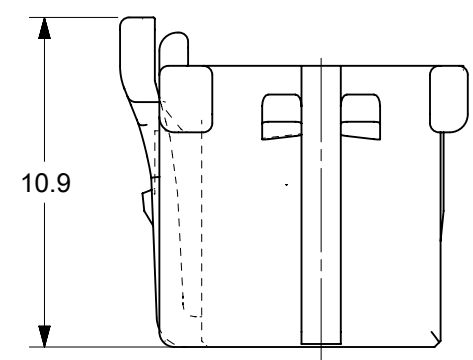
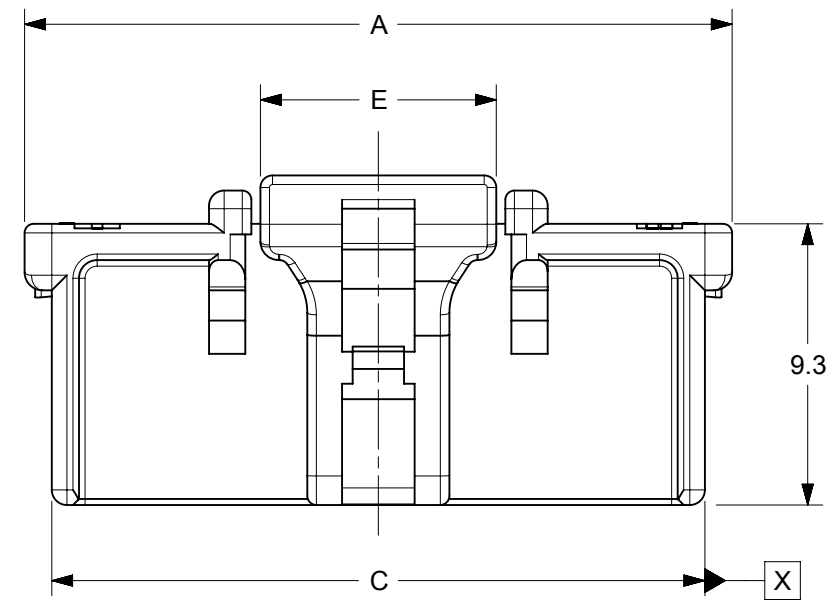


- NOTES :
- ① APPLICABLE TERMINAL : SERIES 56134, 59370
 - ② MATE WITH : SERIES 55917, 55959
 - ③ APPLY FOR (CIRCUIT/2)=EVEN
 - ④ MATERIAL NO. **51353-**0***

CIRCUIT SIZE COLOR

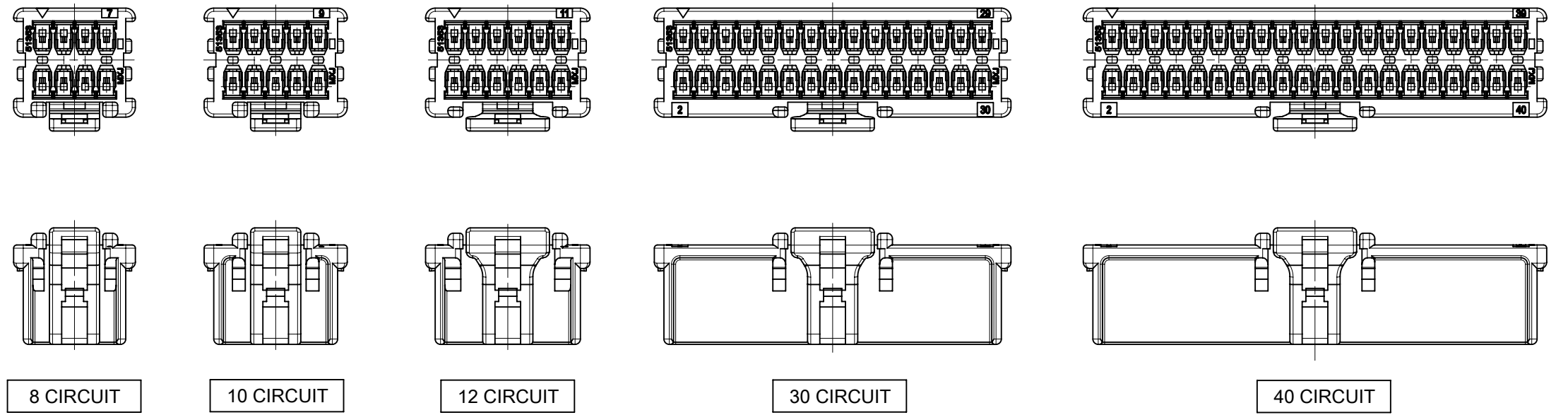
NATURAL(WHITE)	0
BLACK	1
RED	2
YELLOW	3
BLUE	4
GREEN	6
BROWN	7
ORANGE	8

- ⑤ LOCK SIDE CKT.NO. DIDN'T INDICATED 8~14CKT, INDICATE 16~40CKT.
- ⑥ MATERIAL : 66 NYLON, UL94V-0

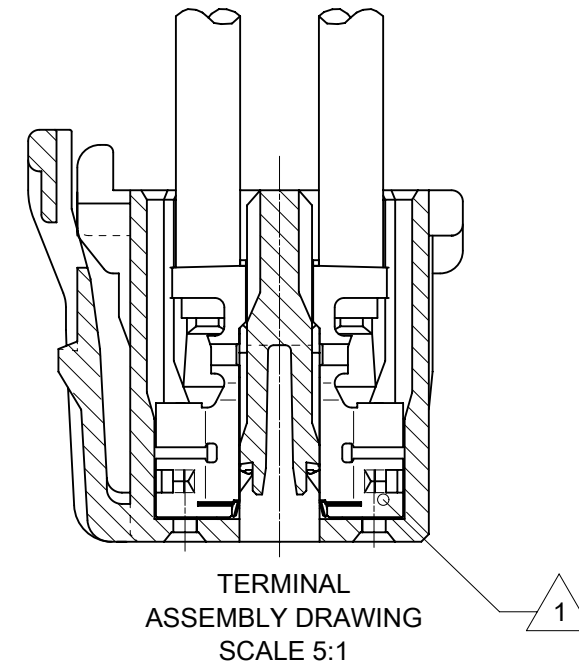


THIS DRAWING CONTAINS INFORMATION THAT IS PROPRIETARY TO MOLEX ELECTRONIC TECHNOLOGIES, LLC AND SHOULD NOT BE USED WITHOUT WRITTEN PERMISSION

DIMENSION UNITS	SCALE	CURRENT REV DESC: OBSOLETE PART NUMBERS AS PER PCN#512131 AND REPLACED 513530800 001 PDM WITH 513530800 002 PDM.		molex		
mm	NTS					
GENERAL TOLERANCES (UNLESS SPECIFIED)		EC NO: 727779		MICROCLASP 2.0 W-B CONN. DUAL ROW RCPT HSG		
ANGULAR TOL	± 3.0°	DRWN: ANIKES1 2022/11/07		PRODUCT CUSTOMER DRAWING		
4 PLACES	±	CHKD: GGA 2022/11/29		DOCUMENT NUMBER		
3 PLACES	±	APPR: GGA 2022/11/29		SD-51353-002		
2 PLACES	± 0.2	INITIAL REVISION:		DOC TYPE	DOC PART	REVISION
1 PLACE	± 0.2	DRWN: N.ITO 2001/12/17		PSD	001	D1
0 PLACES	± 0.2	APPR: T.YAMAGUCHI 2002/10/22		SHEET NUMBER		
DRAFT WHERE APPLICABLE MUST REMAIN WITHIN DIMENSIONS		THIRD ANGLE PROJECTION	DRAWING	SERIES	MATERIAL NUMBER	CUSTOMER
			B-SIZE	51353	SEE TABLE	GENERAL MARKET
						1 OF 2



VIEW OF 8,10,12,30,40 CIRCUIT
(2:1)



40	51353-400*	43.4	38	41.6	36.5	7.8
38	51353-380*	41.4	36	39.6	34.5	7.8
36	51353-360*	39.4	34	37.6	32.5	7.8
34	51353-340*	37.4	32	35.6	30.5	7.8
32	51353-320*	35.4	30	33.6	28.5	7.8
30	51353-300*	33.4	28	31.6	26.5	7.8
28	51353-280*	31.4	26	29.6	24.5	7.8
26	51353-260*	29.4	24	27.6	22.5	7.8
24	51353-240*	27.4	22	25.6	20.5	7.8
22	51353-220*	25.4	20	23.6	18.5	7.8
20	51353-200*	23.4	18	21.6	16.5	7.8
18	51353-180*	21.4	16	19.6	14.5	7.8
16	51353-160*	19.4	14	17.6	12.5	7.8
14	51353-140*	17.4	12	15.6	10.5	7.8
12	51353-120*	15.4	10	13.6	8.5	7.8
10	51353-100*	13.4	8	11.6	6.5	4.7
8	51353-080*	11.4	6	9.6	4.5	4.7
CKT.	△ MATERIAL NO.	A	B	C	D	E

THIS DRAWING CONTAINS INFORMATION THAT IS PROPRIETARY TO MOLEX ELECTRONIC TECHNOLOGIES, LLC AND SHOULD NOT BE USED WITHOUT WRITTEN PERMISSION									
DIMENSION UNITS	SCALE	CURRENT REV DESC: OBSOLETE PART NUMBERS AS PER PCN#512131 AND REPLACED 513530800 001 PDM WITH 513530800 002 PDM.							
mm	NTS	<p>molex</p> <p>MICROCLASP 2.0 W-B CONN. DUAL ROW RCPT HSG</p> <p>PRODUCT CUSTOMER DRAWING</p>							
GENERAL TOLERANCES (UNLESS SPECIFIED)									
ANGULAR TOL	± 3.0°	EC NO: 727779	2022/11/07	DOCUMENT NUMBER					
4 PLACES	±	DRWN: ANIKES1	2022/11/29	SD-51353-002		DOC TYPE	DOC PART	REVISION	
3 PLACES	±	CHKD: GGA	2022/11/29	SEE TABLE		PSD	001	D1	
2 PLACES	± 0.2	APPR: GGA		GENERAL MARKET		SHEET NUMBER			
1 PLACE	± 0.2	INITIAL REVISION:		MATERIAL NUMBER		CUSTOMER			
0 PLACES	± 0.2	DRWN: N.ITO	2001/12/17	51353		2 OF 2			
DRAFT WHERE APPLICABLE MUST REMAIN WITHIN DIMENSIONS		THIRD ANGLE PROJECTION	DRAWING	SERIES					
			B-SIZE	51353					