

产品编号 : [513820200](#)

**Product Description** : 2.00mm Pitch MicroClasp Wire-to-Board Receptacle Housing, Positive Lock, Single Row, 2 Circuits, White

系列号 : 51382

**状态** : Active

**Product Category** : Connector Housings

---

## 文件和资源

### 图纸

[图纸 513820200\\_sd.pdf](#)

### 3D 模型和设计文件

[2D 图纸 DXF 513820200.dxf](#)

[2D 图纸 DXF PDF 513820200.pdf](#)

[3D模型 513820200\\_stp.zip](#)

### 规格

[应用规格 561340000-AS-000.pdf](#)

[包装规格 513829200-200.pdf](#)

[包装规格 SPK-51382-001-001.pdf](#)


[产品规格 513820000-PS-001.pdf](#)

[产品规格 PS-51382-004-001.pdf](#)

---

## 产物环境合规

### 合规

GADSL/IMDS	Not Relevant
China RoHS	
EU ELV	Not Relevant
Low-Halogen Status	Low-Halogen per IEC 61249-2-21
REACH SVHC	Not Contained per D(2023)8585-DC (23 Jan 2024)
EU RoHS	Compliant per EU 2015/863

### 多部分产品合规性声明

- Eu RoHS
- REACH SVHC
- Low-Halogen

- IPC 1752A Class C
- IPC 1752A Class D
- Molex Product Compliance Declaration
- IEC-62474
- chemSHERPA (xml)

欧盟 RoHS 合格证书

## 产品详情

### 常规

状态	活动
类别	Connector Housings
系列	51382
说明	2.00mm Pitch MicroClasp Wire-to-Board Receptacle Housing, Positive Lock, Single Row, 2 Circuits, White
应用	Signal, Wire-to-Board
产品系列	MicroClasp Wire-to-Board System
产品名称	MicroClasp
UPC	800756632247

### 机构

UL	E29179
----	--------

### 物理

电路数（最多）	2
颜色-树脂	白色
阻燃性	94V-0
性别	Receptacle
符合灼热丝规范	否
锁定插接部位	是
材料 - 树脂	Nylon
净重	179.000/mg
行数	1
包装形式	Bag
面板安装式	否

间距 - 插配接口	2.00mm
可堆叠的	否
运行温度范围	-40° to +105° C

---

## 可配插/可连接使用的产品

### 可配插部件

描述	产品编号
MicroClasp Vertical Single Row Headers	<u>55932</u>
MicroClasp Right-Angle Single Row Headers	<u>55935</u>

### 可连接使用部件

描述	产品编号
Pre-Crimped Lead MicroClasp Female-to-MicroClasp Female, Tin (Sn) Plating, 150.00mm Length, 24 AWG, Black	<a href="/content/molex/molex-dot-com/cn/zh/products/product-page.html/797581001.html">/content/molex/molex-dot-com/cn/zh/products/product-page.html/797581001.html</a>
Pre-Crimped Lead MicroClasp Female-to-MicroClasp Female, Tin (Sn) Plating, 300.00mm Length, 24 AWG, Black	<a href="/content/molex/molex-dot-com/cn/zh/products/product-page.html/797581002.html">/content/molex/molex-dot-com/cn/zh/products/product-page.html/797581002.html</a>
MicroClasp Terminal Position Assurance (TPA) Retainers	<u>500638</u>
2.00mm Pitch Female Crimp Terminals	<u>56134</u>

**NOTES**

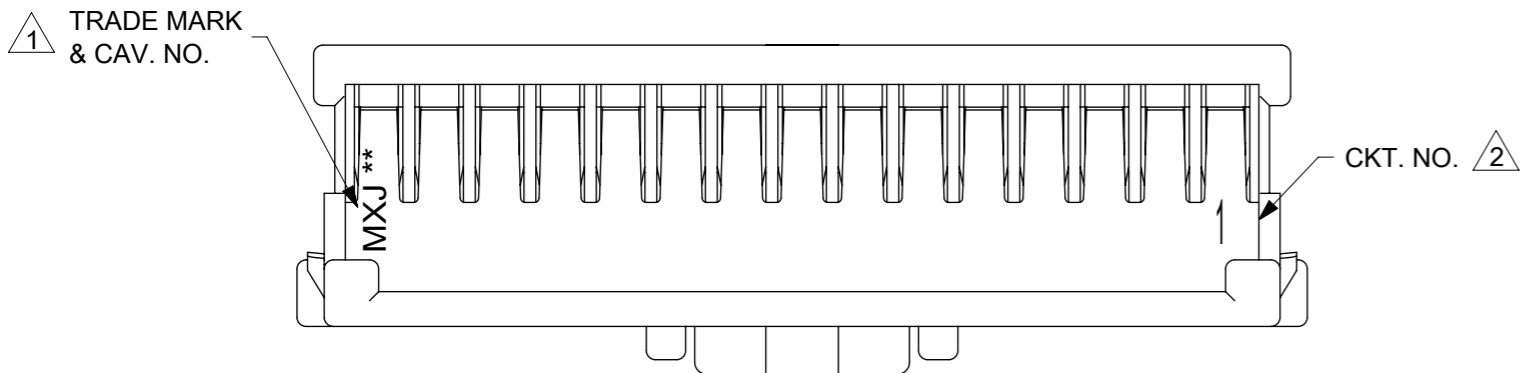
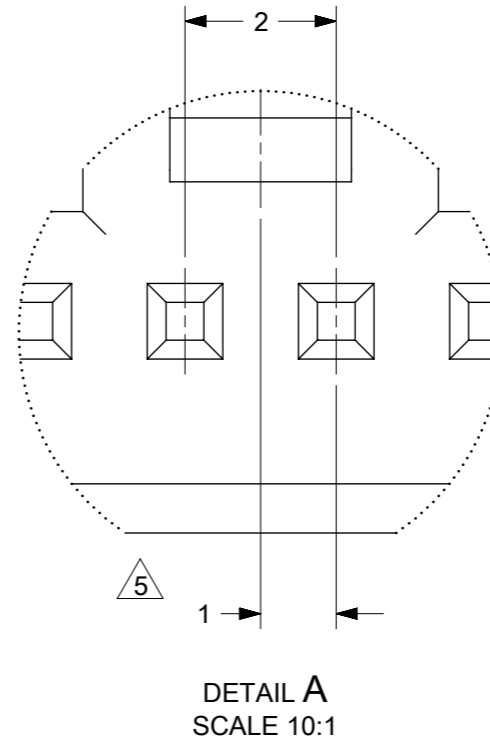
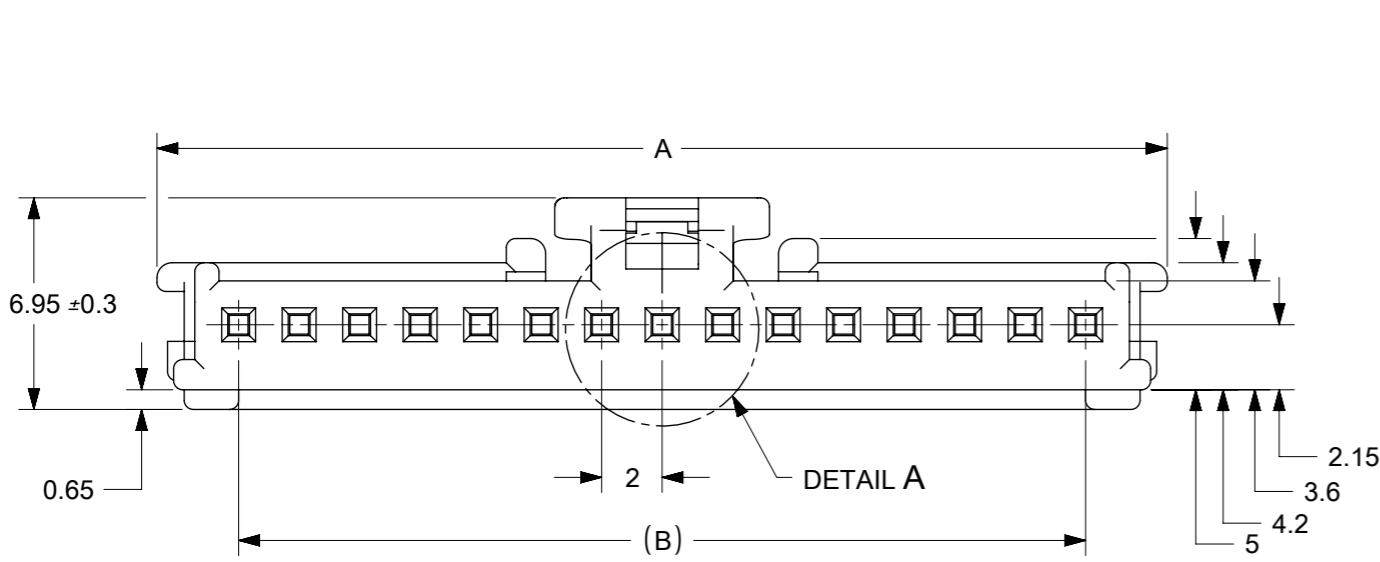
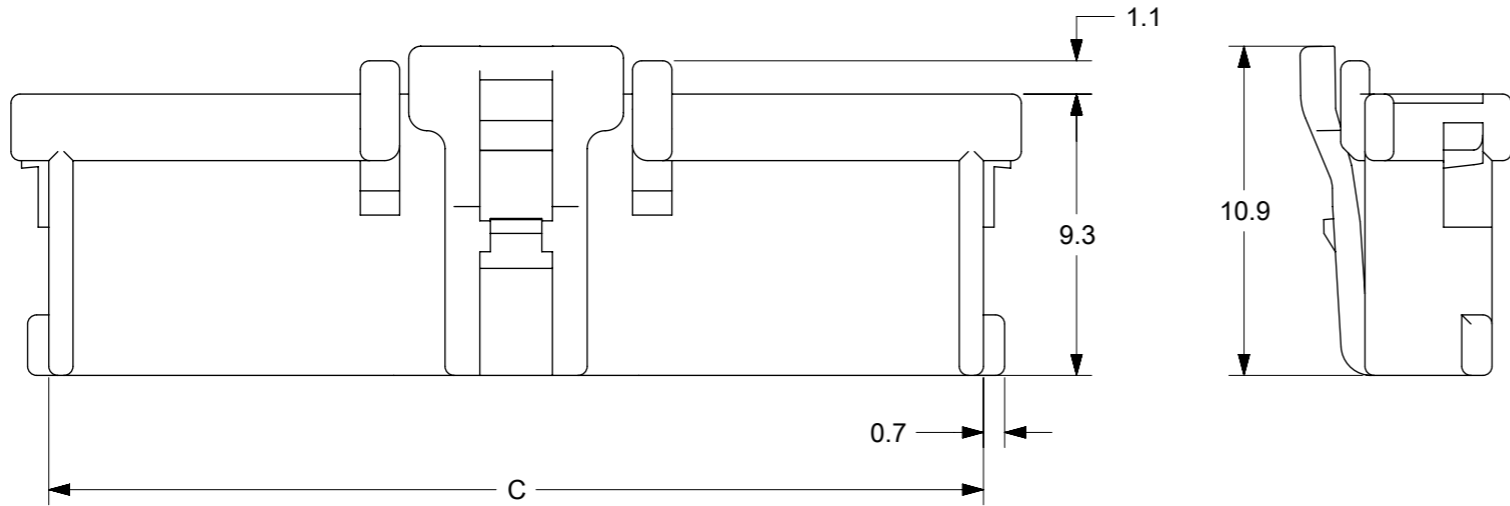
- ① SIZE OF LETTERS 0.7 AND CLEAR.
- ② SIZE OF LETTERS 1 AND CLEAR
- 3. APPLICABLE TERM. : 59370,56134 SERIES.
- ④ MATE WITH : 55932,55935 SERIES.
- 5 APPLY EVEN CIRCUIT
- 6. MATERIAL : 66NYLON, UL94V-0
- 7. MATERIAL NO.

5138- X X X X

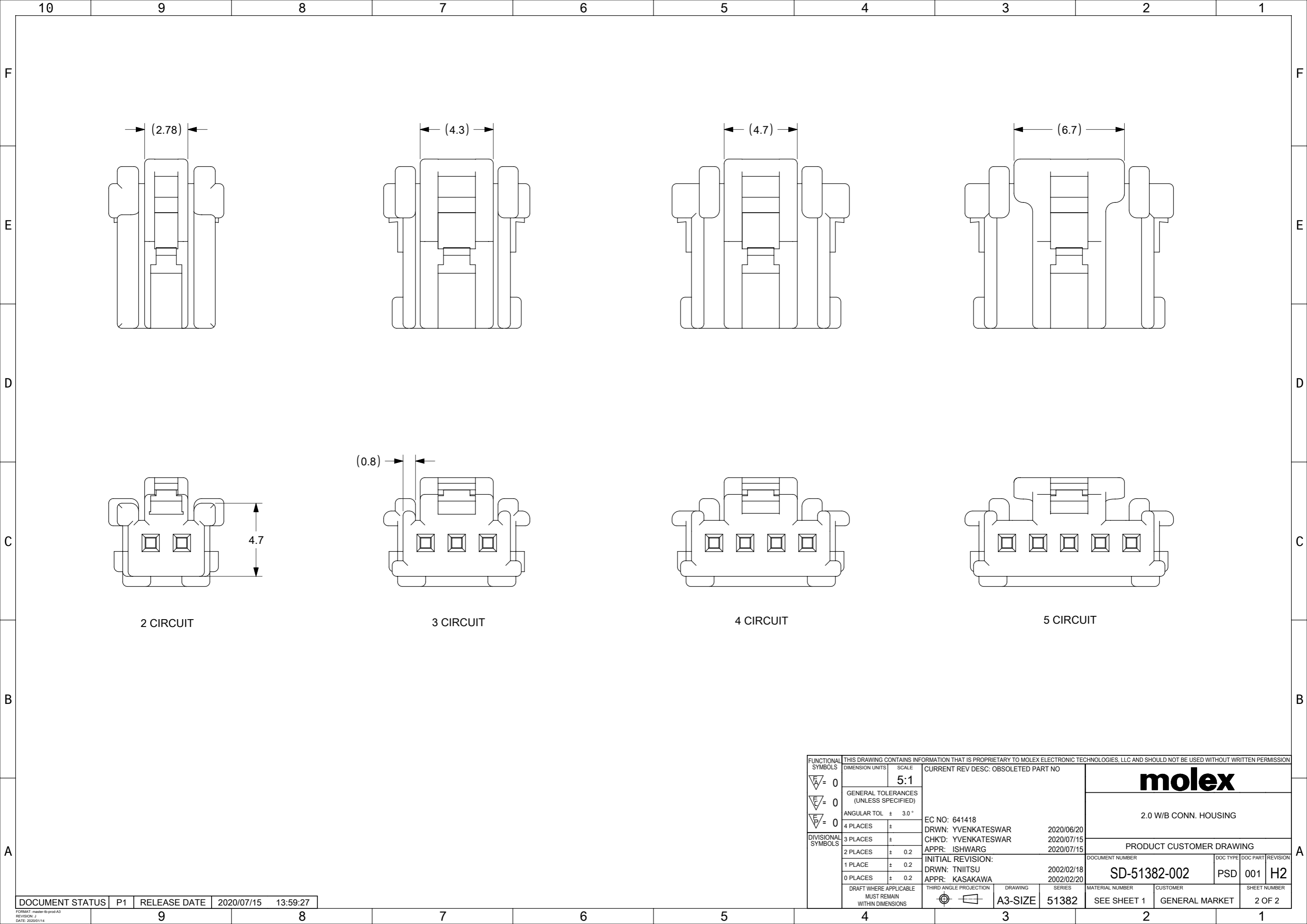
CKT                      COLOR

NATURAL (WHITE)	00
BLACK	01
RED	02
YELLOW	03
BLUE	04
PINK	05
GREEN	06
BROWN	07
ORANGE	08
VIOLET	09
GRAY	11
FLUORESCENCE YELLOW	13
PALE BLUE	14
① H2 YELLOWISH GREEN VO	16

CKT	MATERIAL NO.	A	B	C
2	51382-02XX	7.4	2	4.6
3	51382-03XX	9.4	4	6.9
4	51382-04XX	11.4	6	8.9
5	51382-05XX	13.4	8	10.9
6	51382-06XX	15.4	10	12.9
7	51382-07XX	17.4	12	14.9
8	51382-08XX	19.4	14	16.9
9	51382-09XX	21.4	16	18.9
10	51382-10XX	23.4	18	20.9
11	51382-11XX	25.4	20	22.9
12	51382-12XX	27.4	22	24.9
13	51382-13XX	29.4	24	26.9
14	51382-14XX	31.4	26	28.9
15	51382-15XX	33.4	28	30.9



FUNCTIONAL SYMBOLS FA = 0 FE = 0 FE = 0	THIS DRAWING CONTAINS INFORMATION THAT IS PROPRIETARY TO MOLEX ELECTRONIC TECHNOLOGIES, LLC AND SHOULD NOT BE USED WITHOUT WRITTEN PERMISSION	SCALE 4:1	CURRENT REV DESC: OBSOLETE PART NO		
	GENERAL TOLERANCES (UNLESS SPECIFIED) ANGULAR TOL ± 3.0° 4 PLACES ± 3 PLACES ± 2 PLACES ± 0.2 1 PLACE ± 0.2 0 PLACES ± 0.2	EC NO: 641418 DRWN: YVENKATESWAR 2020/06/20 CHK'D: YVENKATESWAR 2020/07/15 APPR: ISHWARG 2020/07/15			
DIVISIONAL SYMBOLS	DRAFT WHERE APPLICABLE MUST REMAIN WITHIN DIMENSIONS	THIRD ANGLE PROJECTION	DRAWING A3-SIZE	SERIES 51382	MATERIAL NUMBER SEE TABLE
PRODUCT CUSTOMER DRAWING		DOCUMENT NUMBER SD-51382-002		DOC TYPE PSD	DOC PART 001
INITIAL REVISION: DRWN: TINIITSU 2002/02/18 APPR: KASAKAWA 2002/02/20		CUSTOMER GENERAL MARKET		REVISION H2	
SHEET NUMBER 1 OF 2					



DOCUMENT STATUS	P1	RELEASE DATE	2020/07/15	13:59:27
-----------------	----	--------------	------------	----------

FUNCTIONAL SYMBOLS	THIS DRAWING CONTAINS INFORMATION THAT IS PROPRIETARY TO MOLEX ELECTRONIC TECHNOLOGIES, LLC AND SHOULD NOT BE USED WITHOUT WRITTEN PERMISSION		CURRENT REV DESC: OBSOLETE PART NO		<b>molex</b>
	DIMENSION UNITS	SCALE			
$\nabla_A = 0$		5:1			2.0 W/B CONN. HOUSING
$\nabla_B = 0$	GENERAL TOLERANCES (UNLESS SPECIFIED)				
$\nabla_C = 0$	ANGULAR TOL $\pm 3.0^\circ$				PRODUCT CUSTOMER DRAWING
DIVISIONAL SYMBOLS	4 PLACES	$\pm$	EC NO: 641418	2020/06/20	
	3 PLACES	$\pm$	DRWN: YVENKATESWAR	2020/07/15	
	2 PLACES	$\pm 0.2$	CHK'D: YVENKATESWAR	2020/07/15	
	1 PLACE	$\pm 0.2$	APPR: ISHWARG	2020/07/15	
	0 PLACES	$\pm 0.2$	INITIAL REVISION:		
	DRAFT WHERE APPLICABLE MUST REMAIN WITHIN DIMENSIONS		DRWN: TINIITSU	2002/02/18	
	THIRD ANGLE PROJECTION		APPR: KASAKAWA	2002/02/20	
	DRAWING		SERIES	MATERIAL NUMBER	DOC TYPE
	A3-SIZE		51382	SD-51382-002	PSD
	CUSTOMER		SHEET NUMBER		DOC PART
	GENERAL MARKET		2 OF 2		001