



产品编号 : [521170411](#)

系列号 : 52117

Product Category : Connector Housings

Product Description : Mizu-P25 2.50mm Pitch Waterproof Wire-to-Wire Receptacle Housing, 4 Circuits, Black

状态 : Active

文件和资源

图纸

[图纸 521170411_sd.pdf](#)

3D 模型和设计文件

[3D模型 521170411_stp.zip](#)

规格

[应用规格 AS-52117-001-001.pdf](#)


[应用规格 AS-52117-001-JP-001.pdf](#)

[包装规格 521170000-P00.pdf](#)

[产品规格 PS-52117-008-001.pdf](#)

产物环境合规

合规

GADSL/IMDS	Compliant
China RoHS	
EU ELV	Compliant per 2000/53/EC
Low-Halogen Status	Not Low-Halogen per IEC 61249-2-21
REACH SVHC	Not Contained per D(2023)8585-DC (23 Jan 2024)
EU RoHS	Compliant per EU 2015/863

多部分产品合规性声明

- Eu RoHS
- REACH SVHC
- Low-Halogen

- IPC 1752A Class C
- IPC 1752A Class D
- Molex Product Compliance Declaration

- IEC-62474

- chemSHERPA (xml)

欧盟 RoHS 合格证书

产品详情

常规

状态	活动
类别	Connector Housings
系列	52117
说明	Mizu-P25 2.50mm Pitch Waterproof Wire-to-Wire Receptacle Housing, 4 Circuits, Black
应用	Signal, Wire-to-Wire
产品系列	Mizu Sealed Connectors
产品名称	Mizu-P25 Waterproof, Splash Proof
UPC	800754368735

机构

UL	E29179
----	--------

物理

电路数 (最多)	4
颜色-树脂	黑色
性别	Receptacle
符合灼热丝规范	否
锁定插接部位	是
材料 - 树脂	Polyester
净重	1020.000/mg
行数	1
包装形式	Tray
面板安装式	否
间距 - 插配接口	2.50mm
可堆叠的	否
运行温度范围	-40° to +105° C

进程

无铅	不适用
----	-----

可配插/可连接使用的产品

可配插部件

描述	产品编号
Mizu-P25 Waterproof Plug Housings	<u>52116</u>

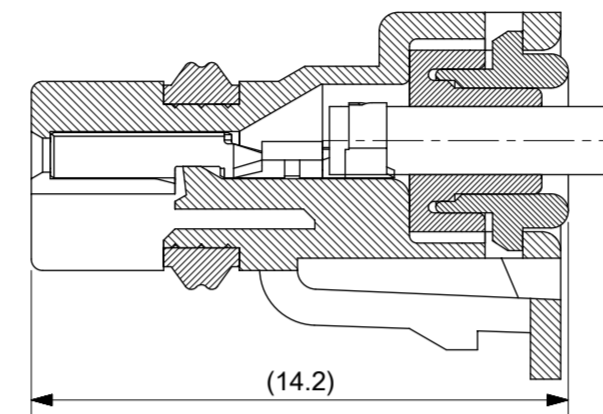
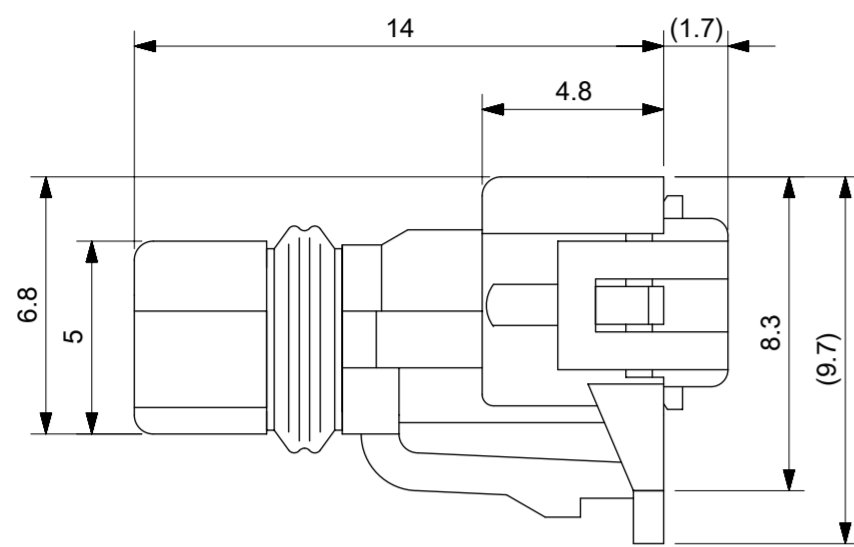
可连接使用部件

描述	产品编号
Mizu-P25 Female Crimp Terminals	<u>50039</u>

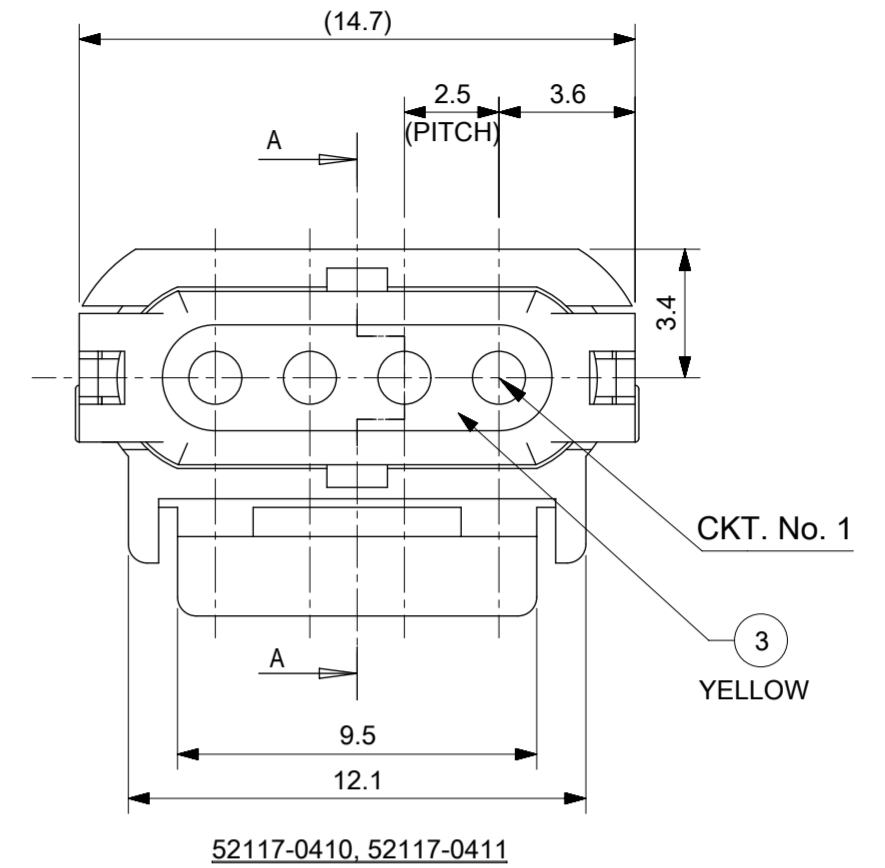
施工工具

全局

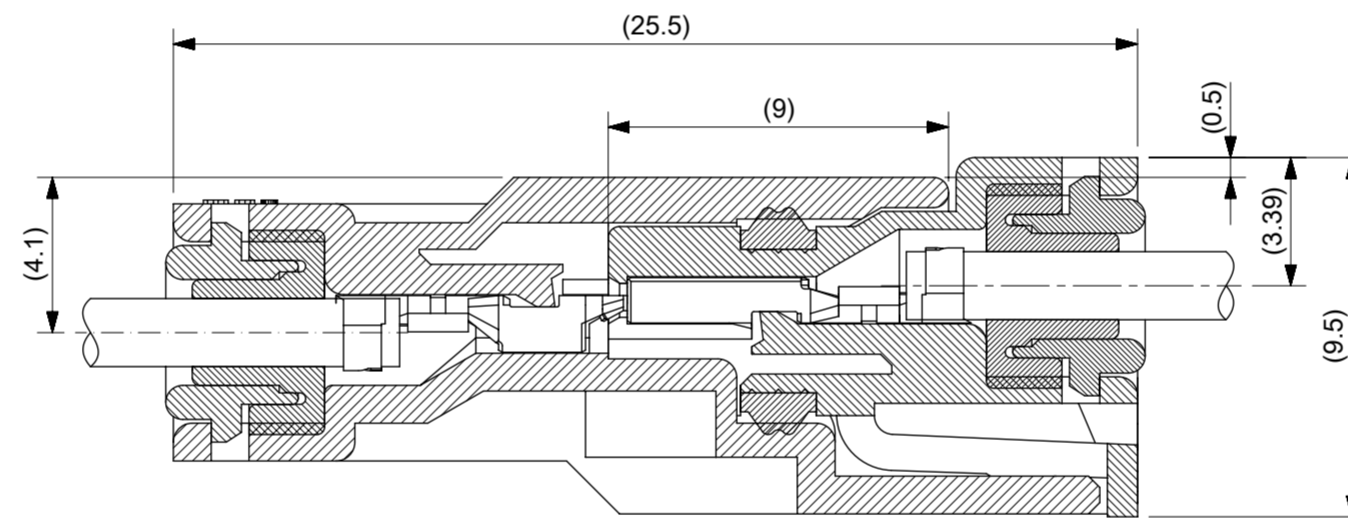
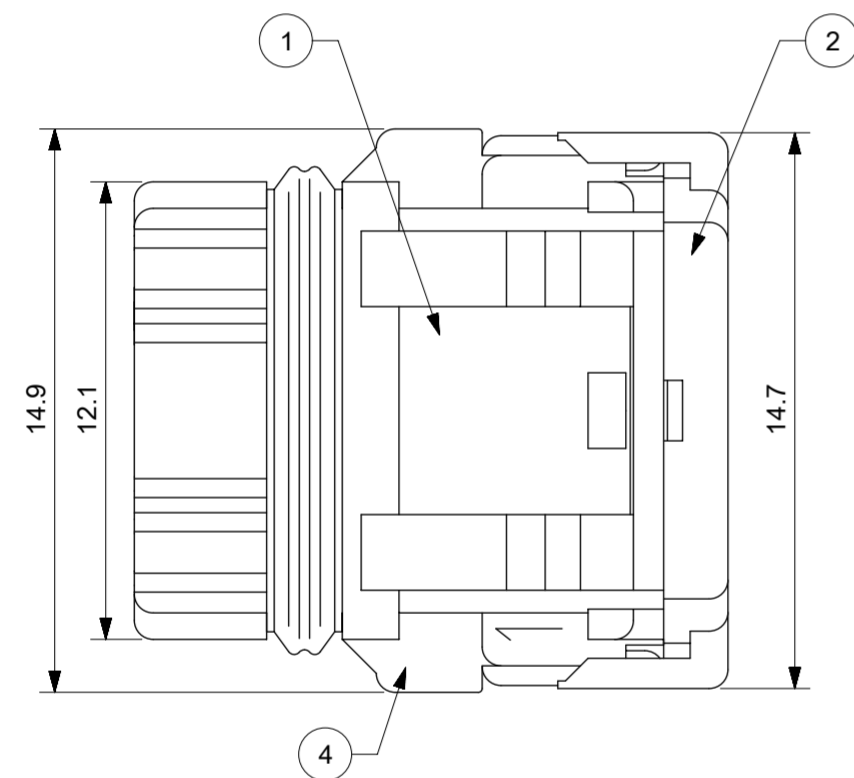
描述	产品编号
Sealing Cap Hand Tool	<u>622024400</u>



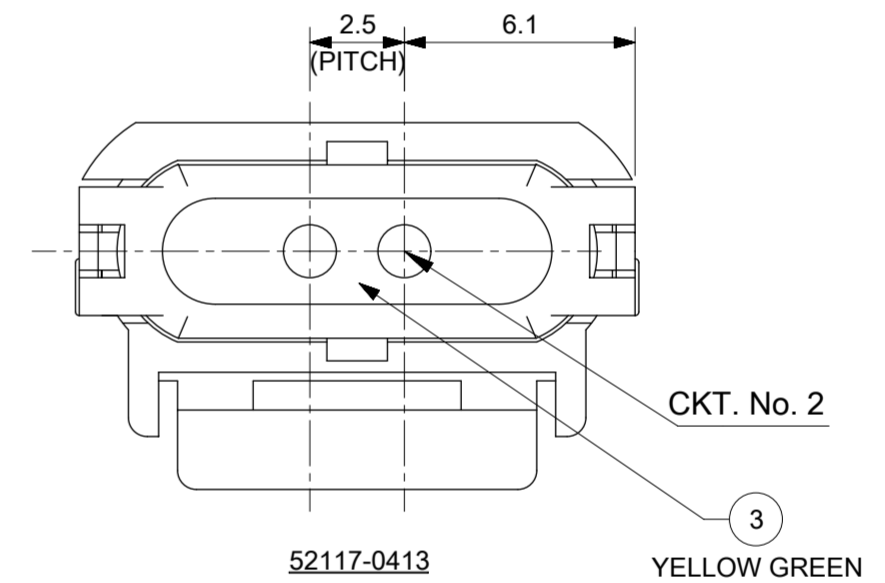
端子装着時の断面 A-A
SECTION A-A TERMINAL ASSEMBLY DRAWING



52117-0410, 52117-0411



嵌合状態図
FULLY MATED CONDITION



52117-0413

注記

NOTE

- 適合端子 : 50039-8*00
APPLICABLE TERMINAL:50039-8*00
- 嵌合相手 : 52116-041*
MATES WITH:52116-041*
- 製品仕様書 : PS-52117-008
PRODUCT SPECIFICATION:PS-52117-008
- 取扱説明書 : AS-52117-001
APPLICATION SPECIFICATION : AS-52117-001
- ELV及びRoHS適合品
ELV AND RoHS COMPLIANT

黒	BLACK	52117-0413	2
黒	BLACK	52117-0411	4
白	WHITE	52117-0410	4
色	COLOR	MATERIAL NO.	極数 CKT

シリコンゴム SILICONE	黄 YELLOW	RING SEAL	④
シリコンゴム SILICONE	図参照 SEE DRAWING	WIRE END SEAL	③
ポリエステル (15%G.F.) POLYESTER	表参照 SEE CHART	CAP	②
ポリエステル (15%G.F.) POLYESTER	表参照 SEE CHART	REC. HOUSING	①
材料 MATERIAL	色 COLOR	名称 TITLE	
構成部品 COMPONENTS			

DOCUMENT STATUS	P1	RELEASE DATE	2018/04/20	09:04:07
-----------------	----	--------------	------------	----------

THIS DRAWING CONTAINS INFORMATION THAT IS PROPRIETARY TO MOLEX ELECTRONIC TECHNOLOGIES, LLC AND SHOULD NOT BE USED WITHOUT WRITTEN PERMISSION		CURRENT REV DESC:		<p>2.5 WATERPROOF CONN. REC. HSG ASSY W/POSITIVE LOCK</p> <p>PRODUCT CUSTOMER DRAWING</p>	
DIMENSION UNITS	SCALE	EC NO: 174474			
mm	5:1	DRWN: RHORI	2018/04/04		
GENERAL TOLERANCES (UNLESS SPECIFIED)		CHK'D: HKOMATSU	2018/04/13		
10 UNDER ±0.2		APPR: TOSADA	2018/04/20	INITIAL REVISION:	
4 PLACES ± 0.2		DRWN: SINAOKA	2011/12/13	DOCUMENT NUMBER	
10 OVER 30 UNDER ±0.25		APPR: MAYAMAMOTO	2012/01/18	SD-52117-002	
3 PLACES ± 0.25		THIRD ANGLE PROJECTION		DOC TYPE	DOC PART
2 PLACES ± 0.3		DRAWING		PSD	001
30 OVER ±0.3		SERIES		REVISION	
ANGULAR ±3 °		A2-SIZE		E3	
1 PLACE ±		52117		MATERIAL NUMBER	CUSTOMER
0 PLACES ±		SEE CHART		GENERAL MARKET	SHEET NUMBER
DRAFT WHERE APPLICABLE MUST REMAIN WITHIN DIMENSIONS		1 OF 1			

INITIAL REVISION:		
DRWN	Y.ASHIZAWA	1988/07/12
CHECK	M.SAKANO	1994/04/12
APPR	M.ENOMOTO	1994/04/12

GENERAL TOLERANCES (UNLESS SPECIFIED)	
10 UNDER	±0.2
10 OVER 30 UNDER	±0.25
30 OVER	±0.3
ANGULAR ±3 °	
DRAFT WHERE APPLICABLE MUST REMAIN WITHIN DIMENSIONS	

GENERAL TOLERANCES (UNLESS SPECIFIED)	
ANGULAR TOL	± 3.0 °
4 PLACES	± 0.2
3 PLACES	± 0.25
2 PLACES	± 0.3
1 PLACE	±
0 PLACES	±

DOCUMENT NUMBER	DOC TYPE	DOC PART	REVISION
SD-52117-002	PSD	001	E3
MATERIAL NUMBER	CUSTOMER	SHEET NUMBER	
SEE CHART	GENERAL MARKET	1 OF 1	