



产品编号 : [522071485](#)

**Product Description** : Easy-On FFC/FPC Connector, 1.00mm Pitch, Slider Series, Right-Angle, Top Contact, 2.70mm Height, 14 Circuits, Tin-Bismuth Plating

系列号 : 52207

状态 : Active

Product Category : FFC / FPC Connectors



---

## 文件和资源

### 图纸

[图纸 522071485\\_sd.pdf](#)

### 3D 模型和设计文件

[2D 图纸 DXF 522071485.dxf](#)

[2D 图纸 DXF PDF 522071485.pdf](#)

[3D模型 522071485\\_stp.zip](#)

### 规格


[包装规格 SPK-52207-002-001.pdf](#)

[产品规格 PS-52207-047-001.pdf](#)

---

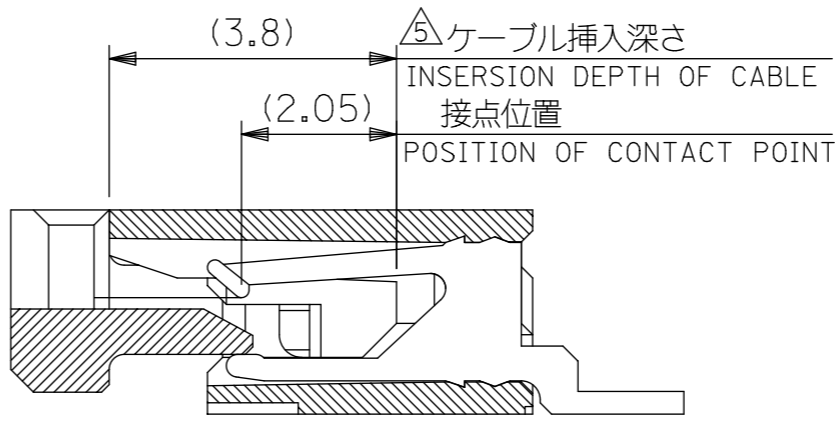
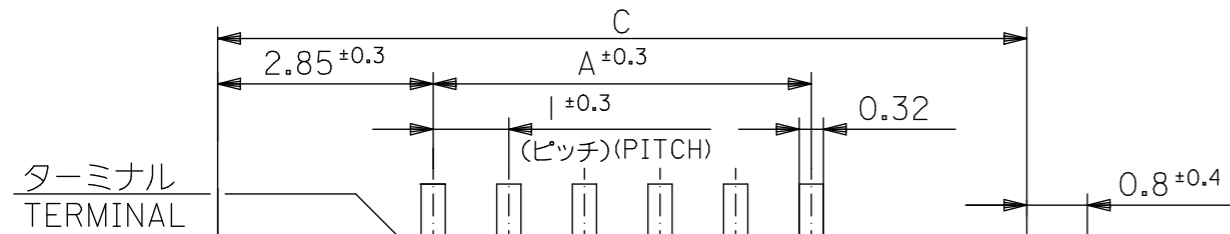
## 产物环境合规

### 合规

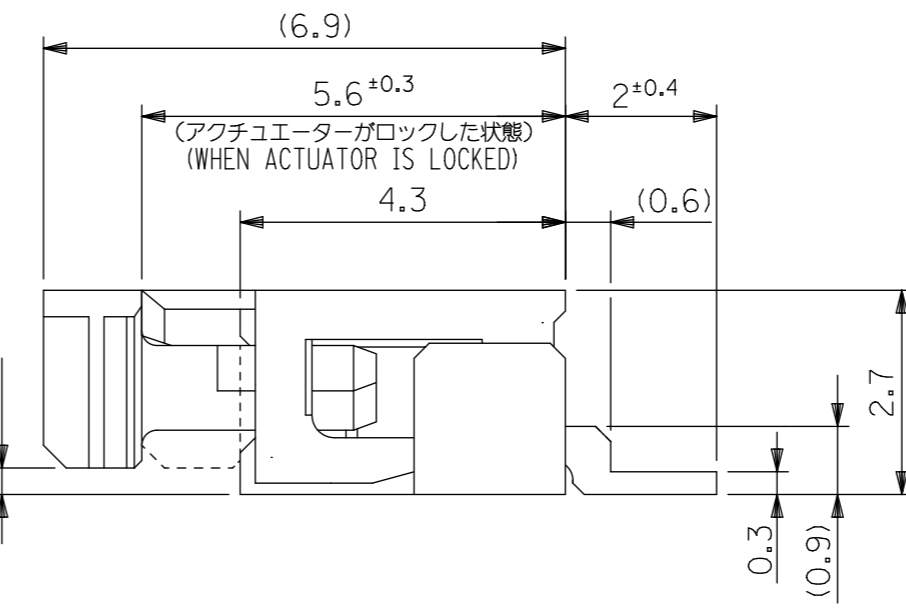
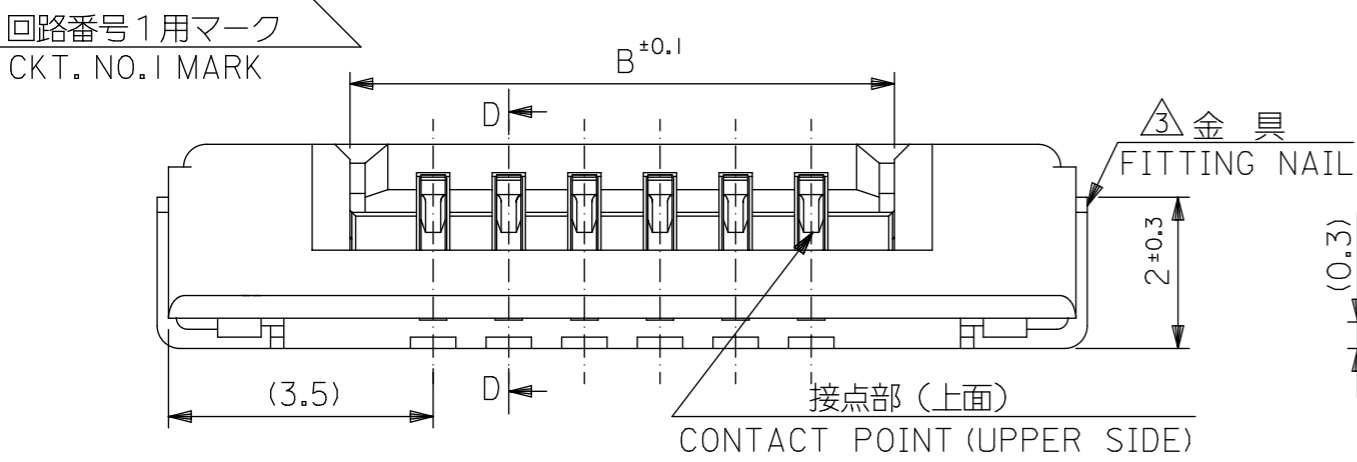
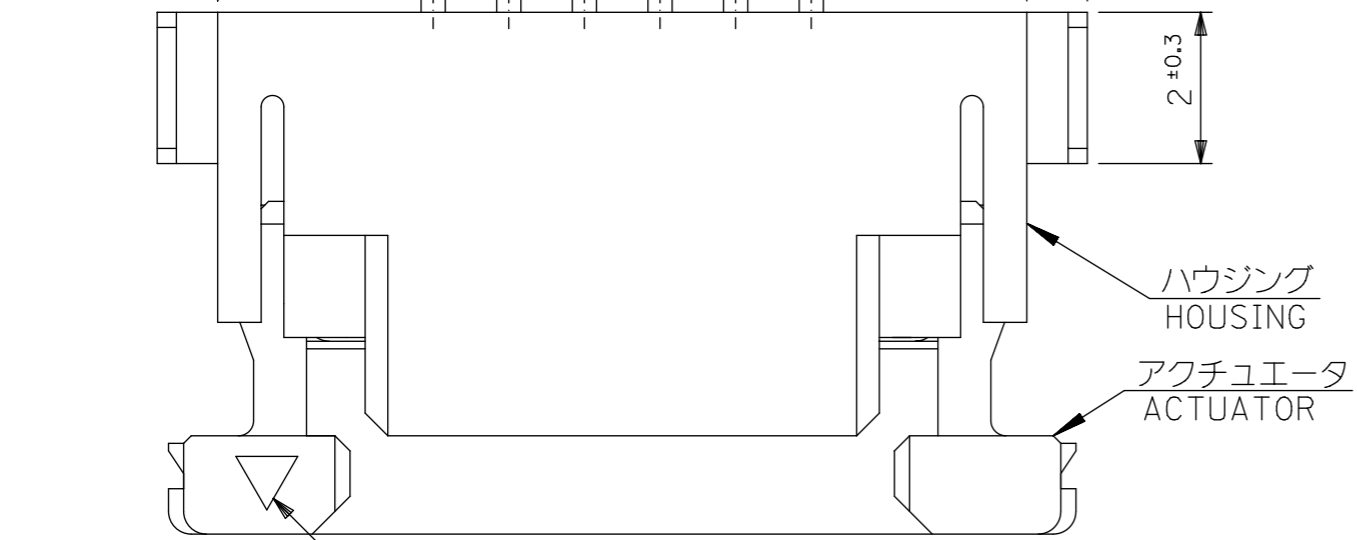
GADSL/IMDS	Not Relevant
China RoHS	
EU ELV	Not Relevant
Low-Halogen Status	Not Low-Halogen per IEC 61249-2-21
REACH SVHC	Not Contained per D(2023)3788-DC (14 Jun 2023)
EU RoHS	Compliant per EU 2015/863

### 多部分产品合规性声明

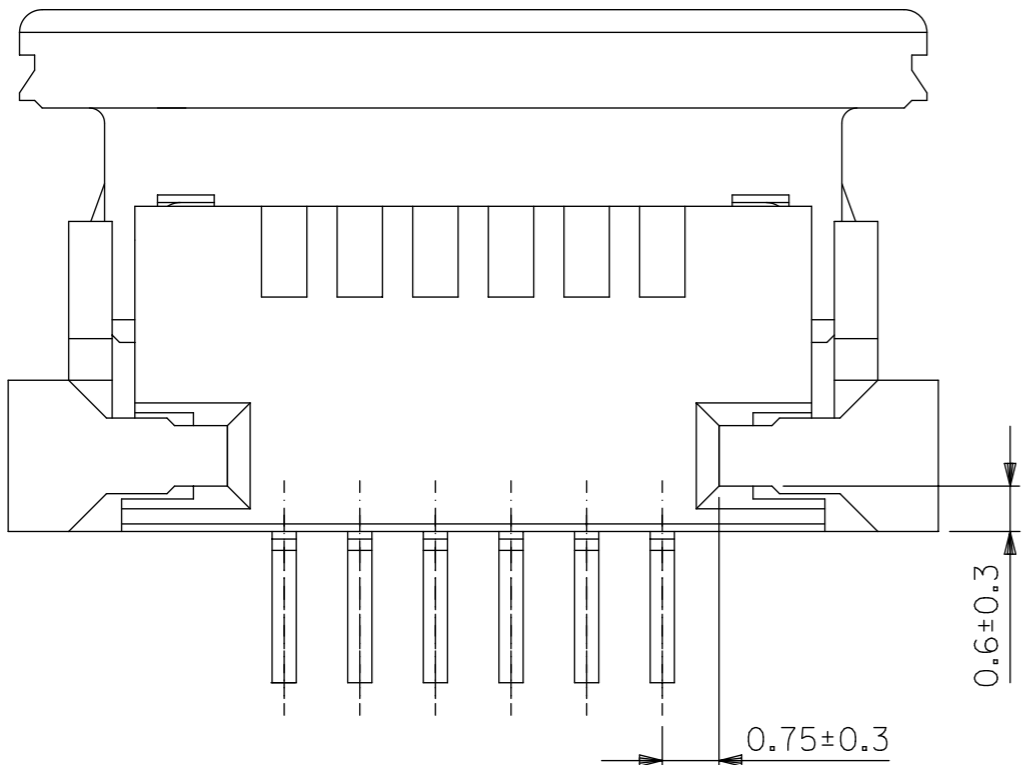
- Eu RoHS
- REACH SVHC
- Low-Halogen



断面D-D  
SECT.D-D



38.7	35.2	33	52207-3485	34
34.7	31.2	29	52207-3085	30
33.7	30.2	28	52207-2985	29
32.7	29.2	27	52207-2885	28
31.7	28.2	26	52207-2785	27
30.7	27.2	25	52207-2685	26
29.7	26.2	24	52207-2585	25
28.7	25.2	23	52207-2485	24
27.7	24.2	22	52207-2385	23
26.7	23.2	21	52207-2285	22
25.7	22.2	20	52207-2185	21
24.7	21.2	19	52207-2085	20
23.7	20.2	18	52207-1985	19
22.7	19.2	17	52207-1885	18
21.7	18.2	16	52207-1785	17
20.7	17.2	15	52207-1685	16
19.7	16.2	14	52207-1585	15
18.7	15.2	13	52207-1485	14
17.7	14.2	12	52207-1385	13
16.7	13.2	11	52207-1285	12
15.7	12.2	10	52207-1185	11
14.7	11.2	9	52207-1085	10
13.7	10.2	8	52207-0985	9
12.7	9.2	7	52207-0885	8
11.7	8.2	6	52207-0785	7
10.7	7.2	5	52207-0685	6
9.7	6.2	4	52207-0585	5
8.7	5.2	3	52207-0485	4
7.7	4.2	2	52207-0385	3
C	B	A	EMBOSSED PACKAGE ORDER NO.	極数 CIRCUITS



GENERAL TOLERANCES (UNLESS SPECIFIED)

10 <sup>UNDER</sup>	±0.2
10 <sup>OVER</sup> 30 <sup>UNDER</sup>	±0.25
30 <sup>OVER</sup>	±0.3
ANGULAR	±3°

THIS DRAWING CONTAINS INFORMATION THAT IS PROPRIETARY TO MOLEX ELECTRONIC TECHNOLOGIES, LLC AND SHOULD NOT BE USED WITHOUT WRITTEN PERMISSION

mm NTS SCALE

GENERAL TOLERANCES (UNLESS SPECIFIED)

ANGULAR TOL ± °

4 PLACES ± °

3 PLACES ± °

2 PLACES ± °

1 PLACE ± °

0 PLACES ± °

DRAFT WHERE APPLICABLE MUST REMAIN WITHIN DIMENSIONS

THIRD ANGLE PROJECTION

DRAWING A3-SIZE

SERIES 52207

MATERIAL NUMBER SEE TABLE

CUSTOMER GENERAL MARKET

SHEET NUMBER 1 OF 2

EC NO: 758488

DRWN: RAJMOK 2023/07/24

CHK'D: HSHIMOYAMA 2023/08/03

APPR: YNAITO 2023/08/03

INITIAL REVISION:

DRWN: MNINOMIYA 2004/02/18

APPR: MSASAO 2004/02/18

DOCUMENT NUMBER SD-52207-060

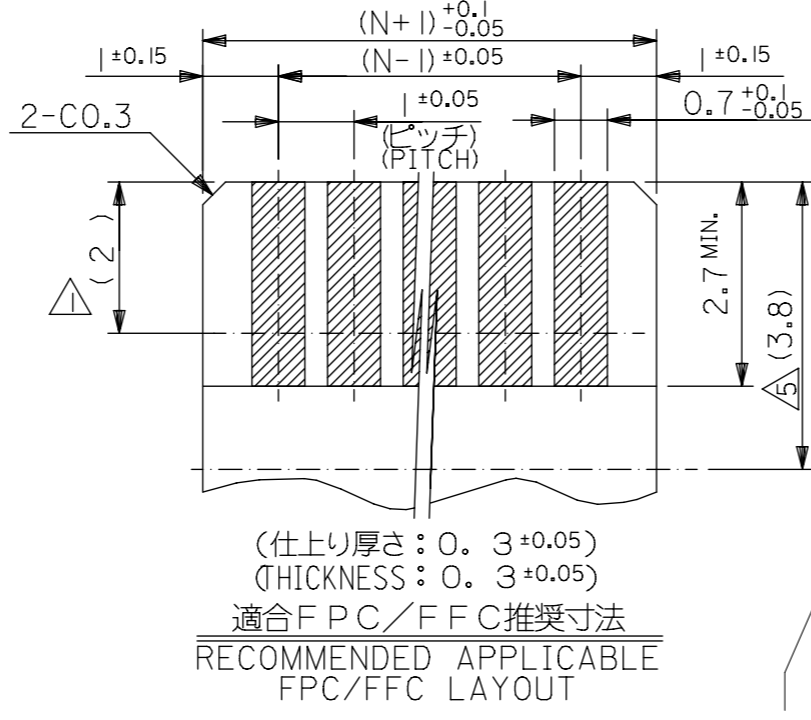
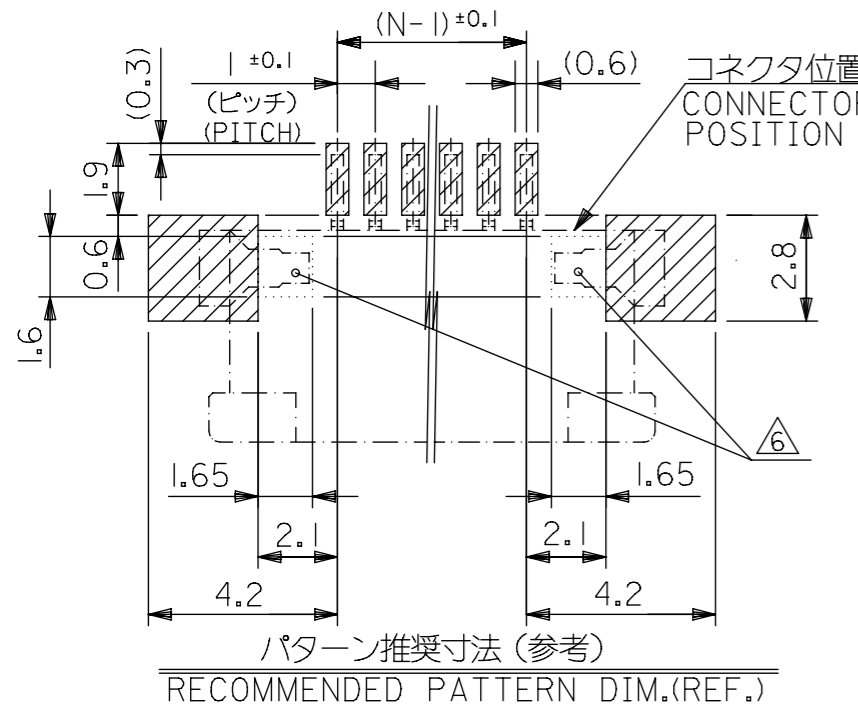
DOC TYPE PSD

DOC PART 001

REVISION G

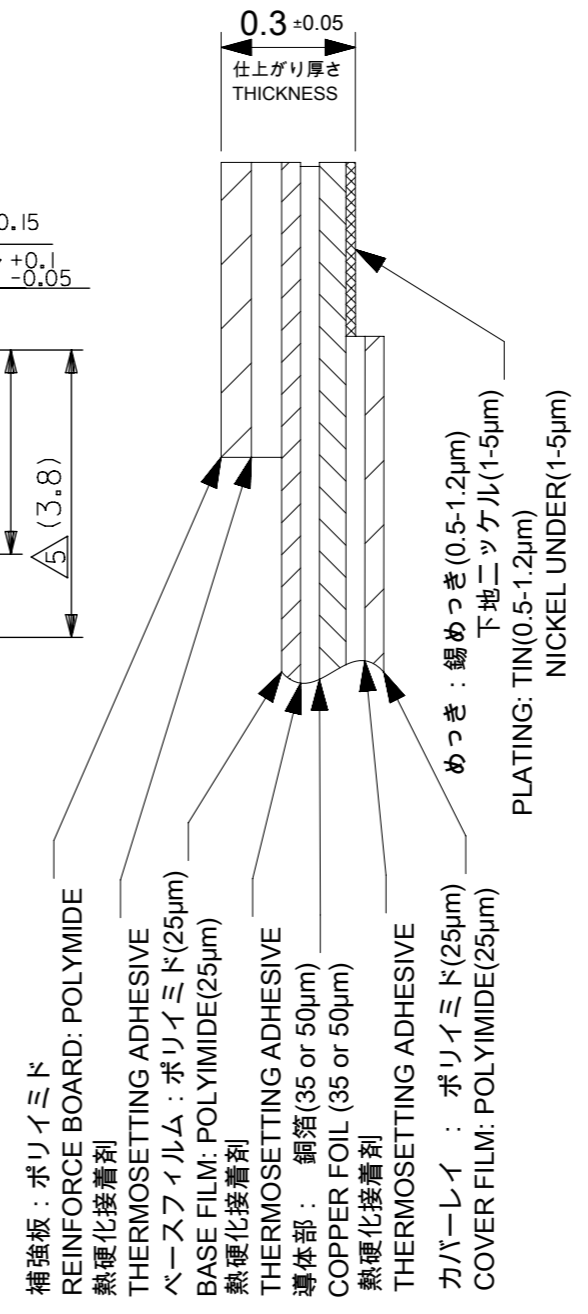
PRODUCT CUSTOMER DRAWING

1.0 PITCH FPC CONN. ZIF SMT -LEAD FREE-

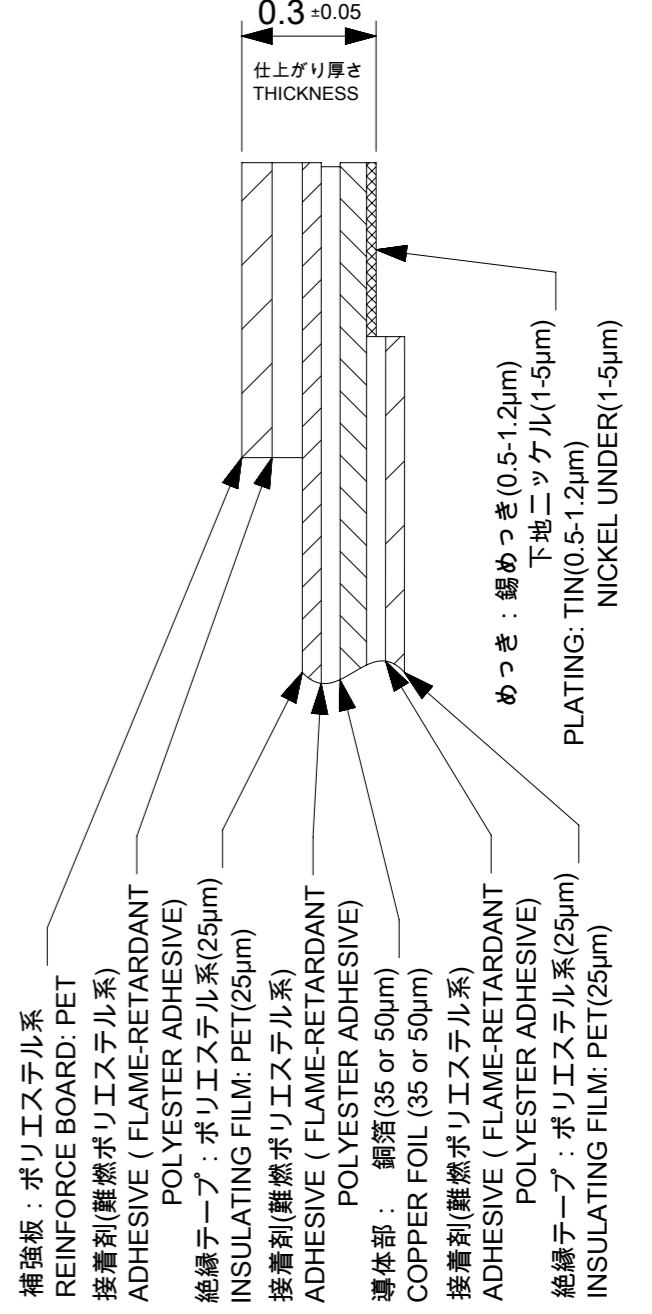


注記 NOTES

- △ 接点部までの嵌合長さ。  
LENGTH TO CONTACT POINT.
2. 使用材料 MATERIAL
- ハウジング HOUSING: 46ナイロン (耐熱性), UL94V-0
- アクチュエータ ACTUATOR: PPS, UL94V-0
- ターミナル TERMINAL: リン青銅  
: PHOSPHOR BRONZE  
: 錫・ビスマスメッキ 1.0マイクロメートル以上  
: TIN BISMUTH 1.0 MICROMETER MINIMUM
- 金具 FITTING NAIL: 銅合金  
: COPPER ALLOY  
: 錫メッキ 1.0マイクロメートル以上  
: TIN 1.0 MICROMETER MINIMUM  
: ニッケル下地 1.0マイクロメートル以上  
: NICKEL (UNDER PLATING) 1.0 MICROMETER MINIMUM
- △ 3 パターンはくり止め用金具  
FITTING NAIL FOR PREVENTION OF PEELING OF P.C.B.PATTERN.
4. エンボステープ梱包時は、アクチュエータがロックした状態とする。  
IN THE PACKAGE, ACTUATOR OF PART NO. 52207-\*\*-19 SHOULD BE LOCKED.
- △ 5 ケーブル挿入深さ  
INSERTION DEPTH OF CABLE.
- △ 6 パターン書き込み禁止エリア。  
NO FOOT PRINT AREA.
7. 本製品は 52207-\*\*-17 の鉛フリー品である。  
THIS PRODUCT IS LEAD FREE OF 52207-\*\*-17.
8. ELV及びRoHS適合品  
ELV AND RoHS COMPLIANT



FPC構成推奨仕様  
RECOMMENDED STRUCTURE OF FPC

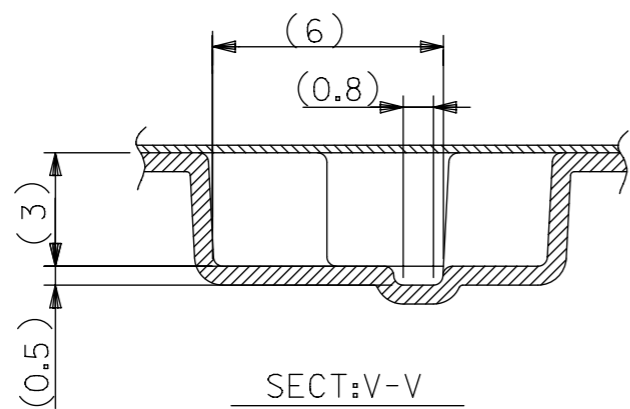
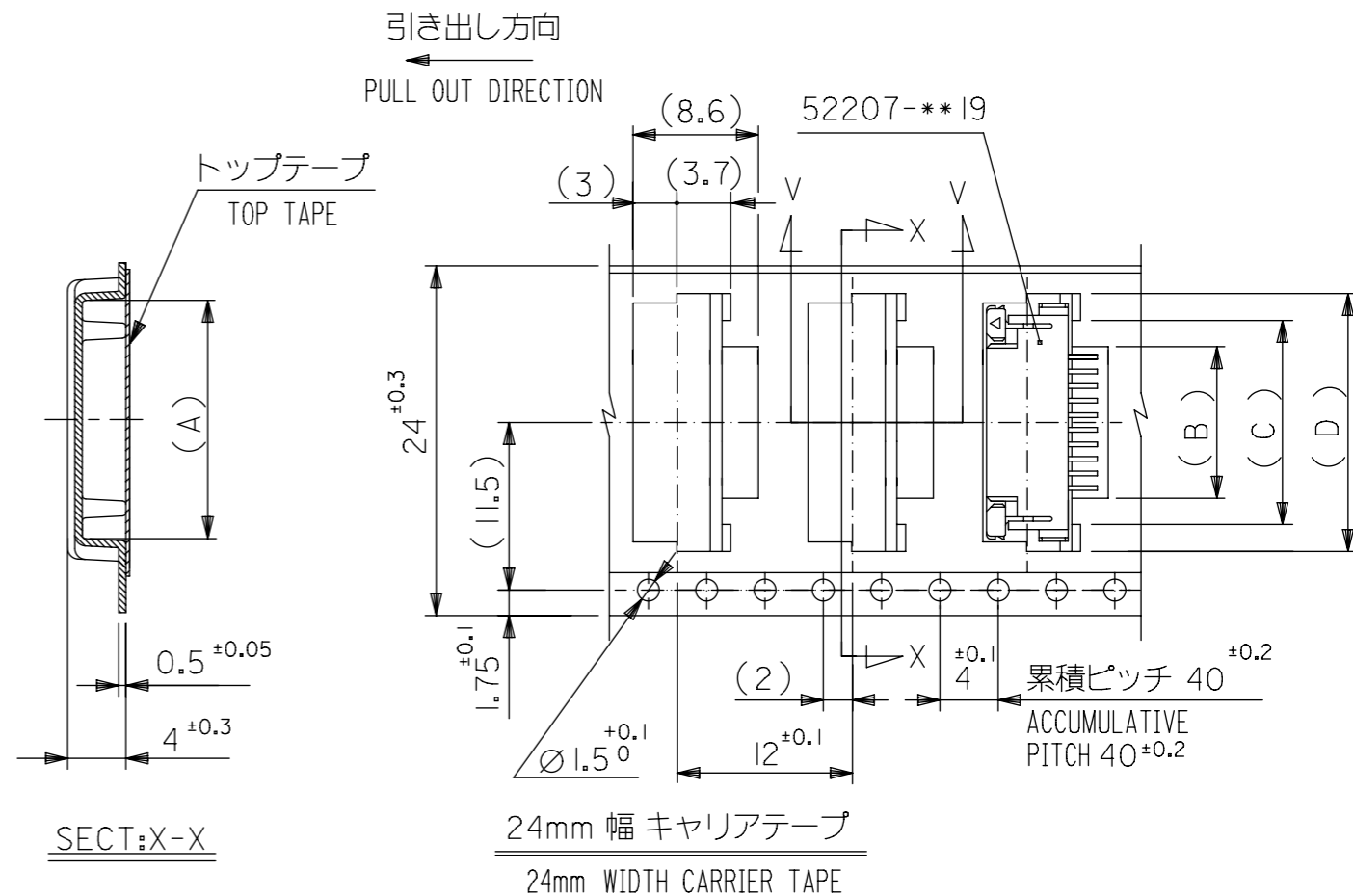
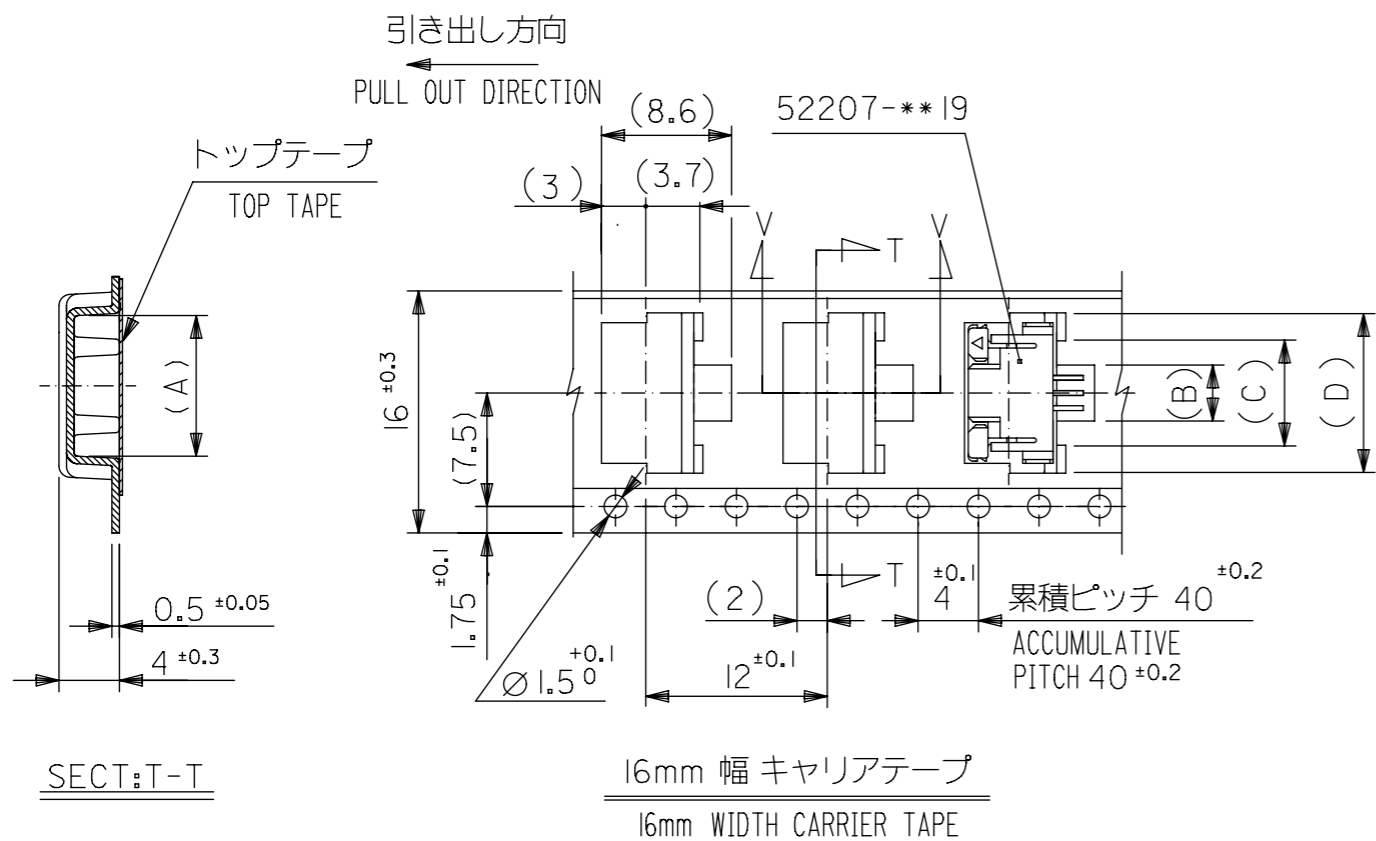


FFC構成推奨仕様  
RECOMMENDED STRUCTURE OF FFC

FPCについて:  
打抜き方向は導体側から補強板を推奨致します。  
補強フィルム材質はポリイミドを推奨致します。  
接着剤は熱硬化接着剤を推奨致します。

ABOUT FPC:  
RECOMMENDED PUNCHER DIRECTION : FROM CONDUCTOR SIDE TO STIFFENER BOARD SIDE.  
RECOMMENDED MATERIAL :  
STIFFENER FILM : POLYIMIDE  
BONDING AGENT : THERMOSETTING BONDING AGENT

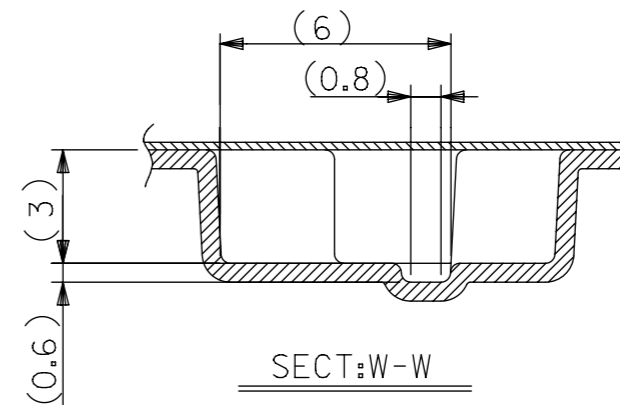
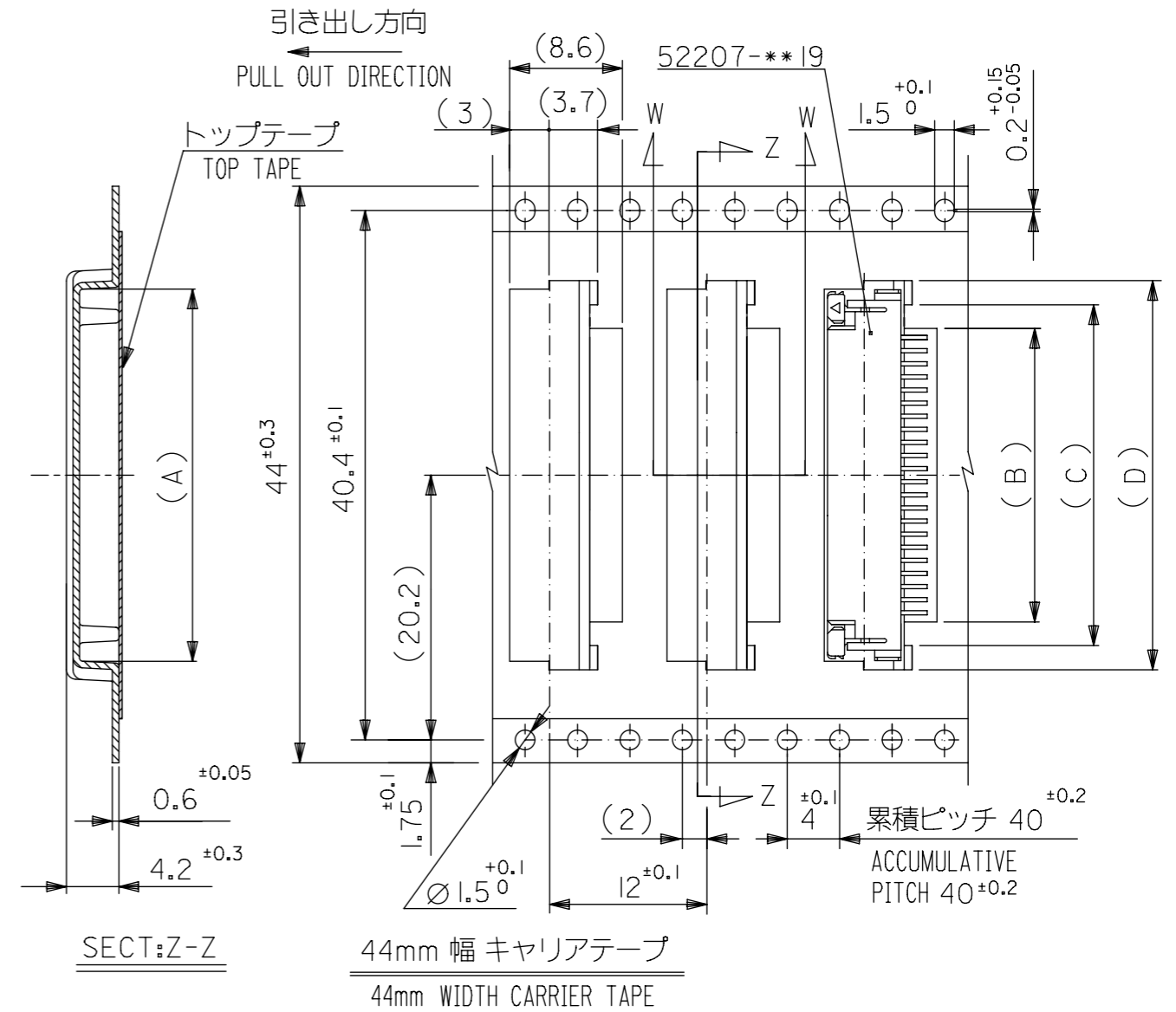
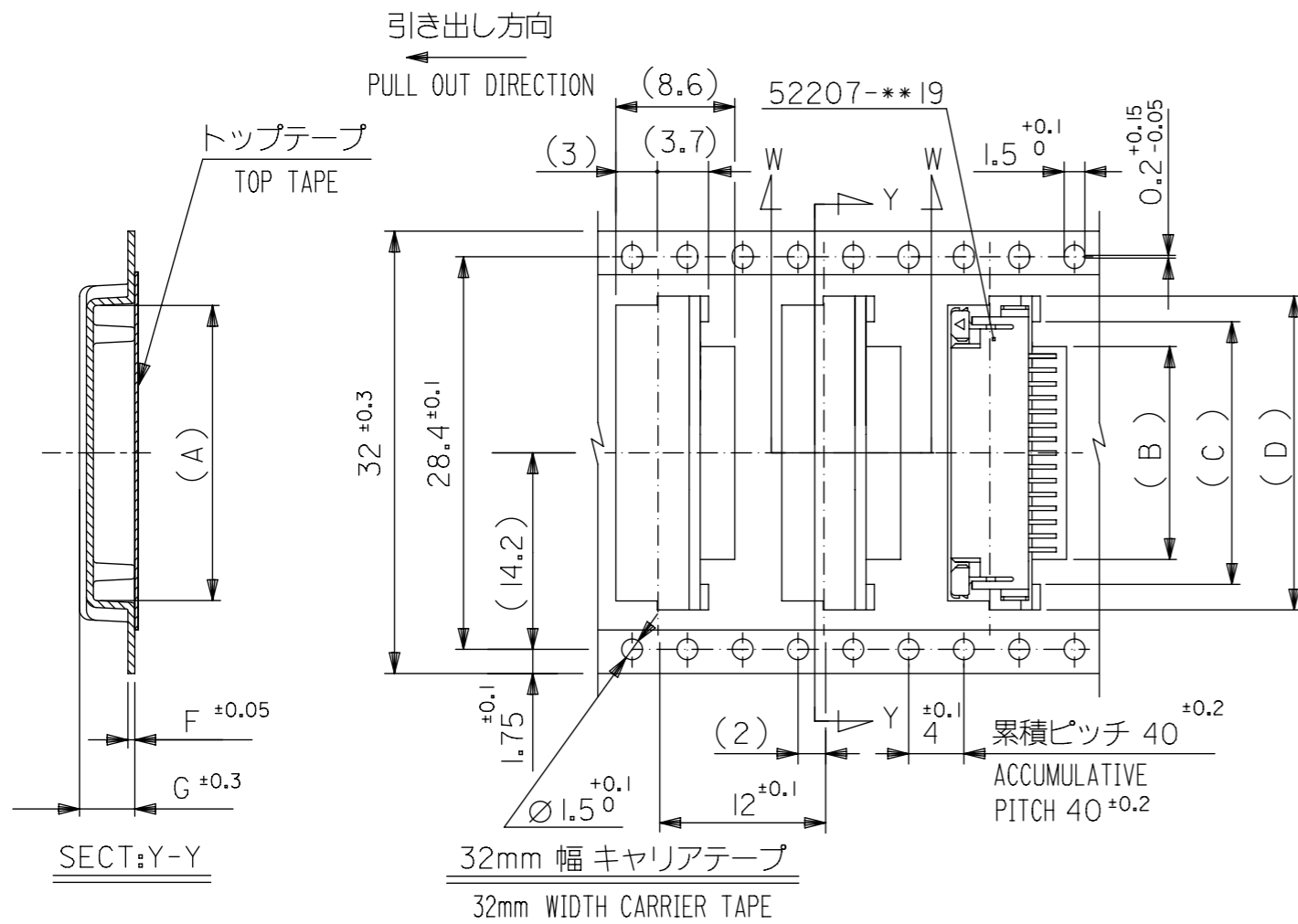
THIS DRAWING CONTAINS INFORMATION THAT IS PROPRIETARY TO MOLEX ELECTRONIC TECHNOLOGIES, LLC AND SHOULD NOT BE USED WITHOUT WRITTEN PERMISSION		CURRENT REV DESC:		<b>molex</b>	
DIMENSION UNITS	SCALE				
mm	NTS			1.0 PITCH FPC CONN. ZIF SMT -LEAD FREE-	
GENERAL TOLERANCES (UNLESS SPECIFIED)		GENERAL TOLERANCES (UNLESS SPECIFIED)		PRODUCT CUSTOMER DRAWING	
ANGULAR TOL	± °	4 PLACES	±	DOCUMENT NUMBER	
10 <sup>UNDER</sup>	±0.2	3 PLACES	±	DOC TYPE	
10 <sup>OVER</sup> 30 <sup>UNDER</sup>	±0.25	2 PLACES	±	DOC PART	
30 <sup>OVER</sup>	±0.3	1 PLACE	±	REVISION	
ANGULAR	±3 °	0 PLACES	±	SD-52207-060	
DRAFT WHERE APPLICABLE MUST REMAIN WITHIN DIMENSIONS		THIRD ANGLE PROJECTION	DRAWING	SERIES	MATERIAL NUMBER
			A3-SIZE	52207	SEE SHEET 1
		EC NO: 758488	DRWN: RAJMOK	2023/07/24	CUSTOMER
		CHK'D: HSHIMOMIYAMA	APPR: YNAITO	2023/08/03	GENERAL MARKET
		INITIAL REVISION:	DRWN: MNINOMIYA	2004/02/18	
			APPR: MSASAO	2004/02/18	
					SHEET NUMBER
					2 OF 2



				18.5	15	11.7	17.3	52207-1185	11
				17.5	14	10.7	16.3	4 -1085	10
				16.5	13	9.7	15.3	-0985	9
				15.5	12	8.7	14.3	-0885	8
				14.5	11	7.7	13.3	-0785	7
				13.5	10	6.7	12.3	-0685	6
				12.5	9	5.7	11.3	-0585	5
				11.5	8	4.7	10.3	∇ -0485	4
52207-***85	16	21.4	17.4	10.5	7	3.7	9.3	52207-0385	3
MODEL NO.	キャリアテープ幅 CARRIER TAPE WIDTH	H	E	(D)	(C)	(B)	(A)	MATERIAL NO.	極数 CKT.

THIS DRAWING CONTAINS INFORMATION THAT IS PROPRIETARY TO MOLEX ELECTRONIC TECHNOLOGIES, LLC AND SHOULD NOT BE USED WITHOUT WRITTEN PERMISSION

DIMENSION UNITS		SCALE		CURRENT REV DESC.					
mm		NTS							
GENERAL TOLERANCES (UNLESS SPECIFIED)				ANGULAR TOL ± °		EC NO: 719890		EMBOSSED TAPE PACKAGE FOR 52207-***19 -LEAD FREE-	
4 PLACES ±				±		DRWN: NARENC 2022/08/22		PRODUCT CUSTOMER DRAWING	
3 PLACES ±				±		CHK'D: SMARUYAMA 2022/09/05		DOCUMENT NUMBER	
2 PLACES ±				±		APPR: YNAITO 2022/09/05		SD-52207-061	
1 PLACE ±				±		INITIAL REVISION:		DOC TYPE	
0 PLACES ±				±		DRWN: MNINOMIYA 2004/02/18		PSD	
0 PLACES ±				±		APPR: MSASAO 2004/02/18		DOC PART	
DRAFT WHERE APPLICABLE MUST REMAIN WITHIN DIMENSIONS				THIRD ANGLE PROJECTION		DRAWING		REVISION	
ANGULAR ±3 °						A3-SIZE		001 D	
				SERIES		MATERIAL NUMBER		SHEET NUMBER	
				52207		SEE TABLE		1 OF 3	
				CUSTOMER		GENERAL MARKET			

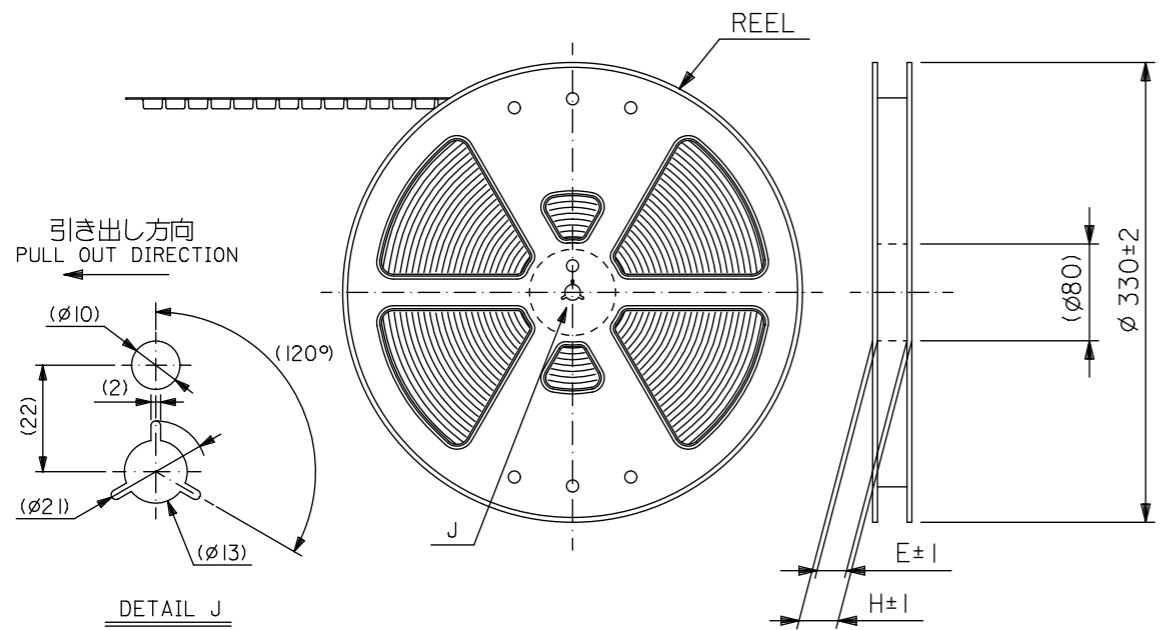


32	37.4	33.4	4.0	0.5	23.5	20	16.7	22.35	52207-1685	16
			4.2	0.6	22.5	19	15.7	21.35	4-1585	15
			4.2	0.6	21.5	18	14.7	20.35	-1485	14
			4.2	0.6	20.5	17	13.7	19.35	7-1385	13
			4.2	0.6	19.5	16	12.7	18.35	52207-1285	12
キャリアテープ幅 CARRIER TAPE WIDTH	H	E	(G)	(F)	(D)	(C)	(B)	(A)	MATERIAL NO.	極数 CKT.

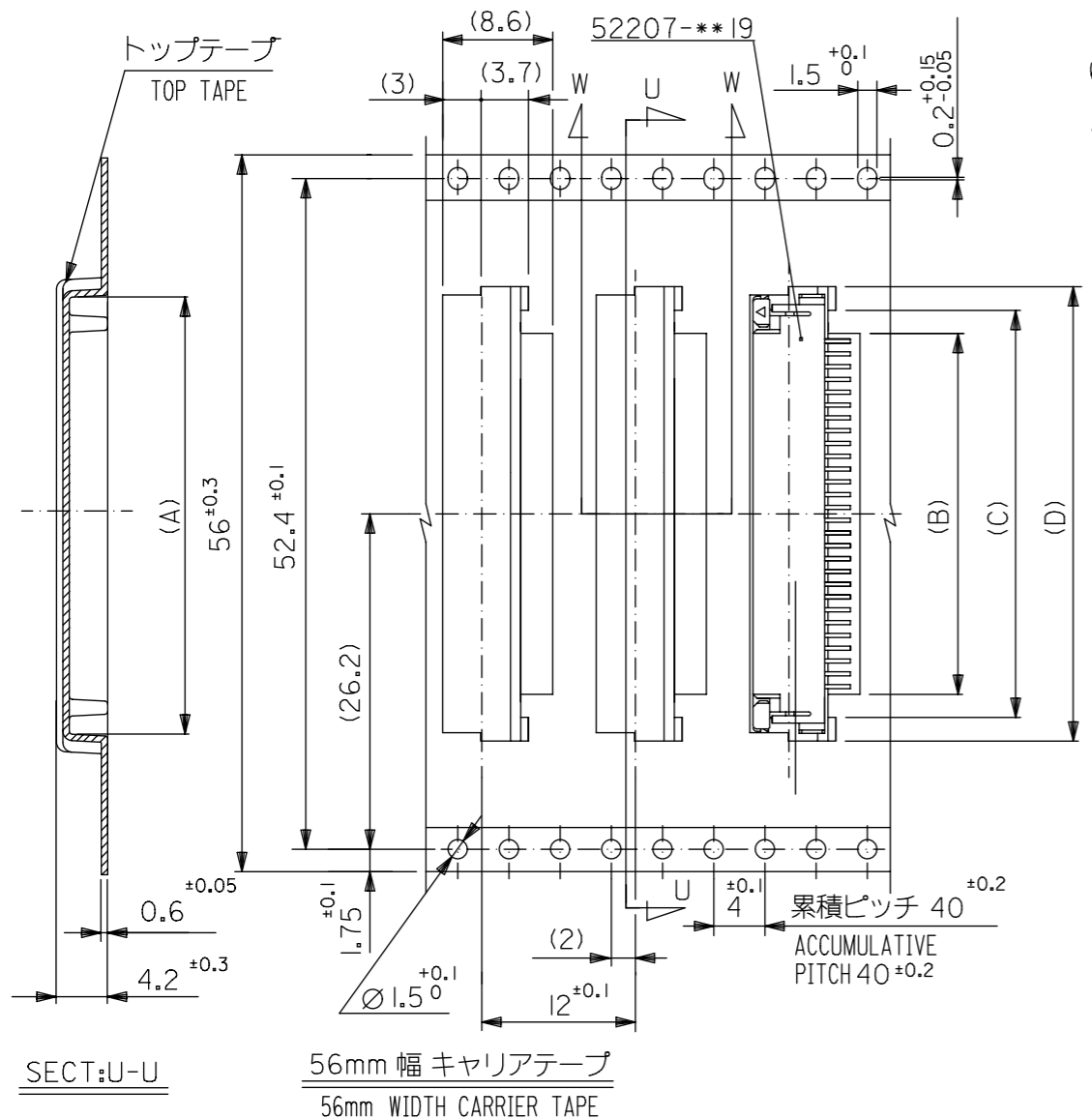
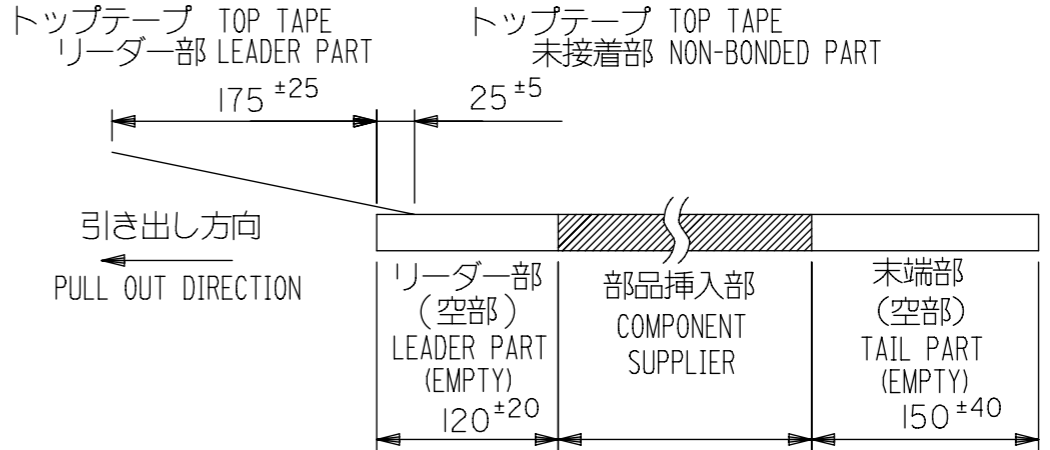
44	49.4	45.4	34.5	31	27.7	33.35	52207-2785	27
			33.5	30	26.7	32.35	4-2685	26
			32.5	29	25.7	31.35	-2585	25
			31.5	28	24.7	30.35	-2485	24
			30.5	27	23.7	29.35	-2385	23
			29.5	26	22.7	28.35	-2285	22
			28.5	25	21.7	27.35	-2185	21
			27.5	24	20.7	26.35	-2085	20
			26.5	23	19.7	25.35	-1985	19
			25.5	22	18.7	24.35	7-1885	18
24.5	21	17.7	23.35	52207-1785	17			
キャリアテープ幅 CARRIER TAPE WIDTH	H	E	(D)	(C)	(B)	(A)	MATERIAL NO.	極数 CKT.

DOCUMENT STATUS	P1	RELEASE DATE	2022/09/05	05:51:49
-----------------	----	--------------	------------	----------

THIS DRAWING CONTAINS INFORMATION THAT IS PROPRIETARY TO MOLEX ELECTRONIC TECHNOLOGIES, LLC AND SHOULD NOT BE USED WITHOUT WRITTEN PERMISSION		CURRENT REV DESC:			
DIMENSION UNITS	SCALE				
mm	NTS			EMBOSSED TAPE PACKAGE FOR 52207-**-19 -LEAD FREE-	
GENERAL TOLERANCES (UNLESS SPECIFIED)		ANGULAR TOL ± °		PRODUCT CUSTOMER DRAWING	
10 <sup>UNDER</sup>	±0.2	4 PLACES ±	EC NO: 719890	DOCUMENT NUMBER	
10 <sup>OVER</sup> 30 <sup>UNDER</sup>	±0.25	3 PLACES ±	DRWN: NARENC	2022/08/22	DOC TYPE
30 <sup>OVER</sup>	±0.3	2 PLACES ±	CHK'D: SMARUYAMA	2022/09/05	DOC PART
ANGULAR	±3 °	1 PLACE ±	APPR: YNAITO	2022/09/05	REVISION
DRAFT WHERE APPLICABLE MUST REMAIN WITHIN DIMENSIONS		0 PLACES ±	INITIAL REVISION:	SD-52207-061	
THIRD ANGLE PROJECTION		DRWN: MNINOMIYA	2004/02/18	MATERIAL NUMBER	SEE TABLE
DRAWING		APPR: MSASAO	2004/02/18	CUSTOMER	GENERAL MARKET
A3-SIZE		SERIES	52207	SHEET NUMBER	2 OF 3

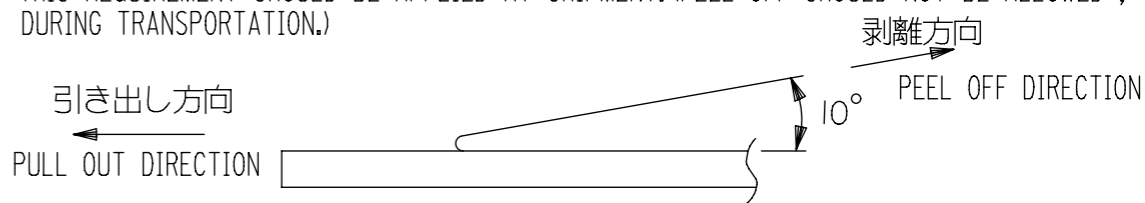


- 注記
- 製品番号 52207-\*\*-19 の梱包状態はアクチュエータがロックした状態とする。  
IN THE PACKAGE, ACTUATOR OF PART NO. 52207-\*\*-19 SHOULD BE LOCKED  
RE DETAILED DIMENSIONS, SEE SD-52207-060
  - 梱包数量：1000個/リール  
NUMBER OF CONNECTORS：1000PCS/REEL
  - リードテープ長さ(LEAD TAPE LENGTH)



- 本製品は 52207-\*\*-90 の鉛フリー品である。  
THIS PRODUCT IS LEAD FREE OF 52207-\*\*-90.
- 本製品は乾燥剤入り、ハイバリア梱包仕様である。  
THIS PRODUCT IS HIGH BARRIER PACKAGE WITH DESICCANT.

- トップテープの剥離強度：(剥離方向は下図参照)  
0.1N ~ 1.3N (10gf ~ 130gf) MAX. 尚、本規格値は、出荷時に適用。  
(但し、輸送時に剥離が発生しない事。)  
PEELING OFF FORCE OF TOP TAPE : 0.1N ~ 1.3N (10gf ~ 130gf) MAX.  
(PEELING DIRECTION AS SHOWN IN FOLLOWING FIG.)  
THIS REQUIREMENT SHOULD BE APPLIED AT SHIPMENT. (PEEL OFF SHOULD NOT BE ALLOWED, DURING TRANSPORTATION.)



- 材料 (MATERIAL)  
キャリアテープ (CARRIER TAPE)：ポリプロピレン (POLYPROPYLENE)  
トップテープ (TOPTAPE)：PET, PE, PEF  
リール (REEL)：ポリスチレン (PS) <リサイクル材を含む>  
POLYSTYRENE (PS) <RECYCLE MATERIAL CONTAINED>

52207-**-85	MODEL NO.	キャリアテープ幅 CARRIER TAPE WIDTH	H	E	41.5	38	34.7	40.35	52207-3485	34
					37.5	34	30.7	36.35	52207-3085	30
					36.5	33	29.7	35.35	52207-2985	29
					35.5	32	28.7	34.35	52207-2885	28
					(D)	(C)	(B)	(A)	MATERIAL NO.	極数 CKT.

THIS DRAWING CONTAINS INFORMATION THAT IS PROPRIETARY TO MOLEX ELECTRONIC TECHNOLOGIES, LLC AND SHOULD NOT BE USED WITHOUT WRITTEN PERMISSION

DIMENSION UNITS: mm		SCALE: NTS		CURRENT REV DESC:			
GENERAL TOLERANCES (UNLESS SPECIFIED)				<b>molex</b> EMBOSSSED TAPE PACKAGE FOR 52207-**-19 -LEAD FREE- PRODUCT CUSTOMER DRAWING			
10 <sup>UNDER</sup>	±0.2	4 PLACES	±			EC NO: 719890	2022/08/22
10 <sup>OVER</sup> 30 <sup>UNDER</sup>	±0.25	3 PLACES	±			DRWN: NARENC	2022/09/05
30 <sup>OVER</sup>	±0.3	2 PLACES	±			CHK'D: SMARUYAMA	2022/09/05
ANGULAR	±3°	1 PLACE	±	APPR: YNAITO	2022/09/05		
DRAFT WHERE APPLICABLE MUST REMAIN WITHIN DIMENSIONS		THIRD ANGLE PROJECTION		INITIAL REVISION:			
				DRWN: MNINOMIYA	2004/02/18		
				APPR: MSASAO	2004/02/18		
				DRAWING: A3-SIZE	SERIES: 52207		
				MATERIAL NUMBER: SEE TABLE	CUSTOMER: GENERAL MARKET		
				DOCUMENT NUMBER: SD-52207-061	DOC TYPE: PSD		
				DOC PART: 001	REVISION: D		
				SHEET NUMBER: 3 OF 3			

## 多部分行业合规性文件

- IPC 1752A Class C
- IPC 1752A Class D
- Molex Product Compliance Declaration
- IEC-62474
- chemSHERPA (xml)

## 欧盟 RoHS 合格证书

---

### 产品详情

#### 常规

状态	活动
类别	FFC / FPC Connectors
系列	52207
说明	Easy-On FFC/FPC Connector, 1.00mm Pitch, Slider Series, Right-Angle, Top Contact, 2.70mm Height, 14 Circuits, Tin-Bismuth Plating
产品系列	Slider
产品系列	Easy-On FFC FPC Connectors
产品名称	Easy-On
UPC	822348117963

#### 机构

CSA	LR19980
UL	E29179

#### 电气

每触点最大电流	1.0A
电压 - 最大	125V

#### 物理

驱动器类型	Slider
回路数 (已载入)	14
颜色-树脂	Natural
接触部位	顶部
耐用性(插拔次数) - 最多次数	30

阻燃性	94V-0
插配长度	2.70mm
材料 - 金属	Phosphor Bronze
材料 - 接合部位电镀	Tin-Bismuth
材料 - 终端电镀	Tin-Bismuth
材料 - 树脂	Nylon
净重	547.800/mg
方向	Right Angle
包装形式	Embossed Tape on Reel
PC 焊脚长度	2.00mm
PCB 定位器	否
PCB安装	Surface Mount
PCB 保持力	是
间距 - 插配接口	1.00mm
间距 - 终端界面	1.00mm
PCB 极性	是
可堆叠的	否
运行温度范围	-40° to +85° C
导线/电缆型号	FFC/FPC

---

## 可配插/可连接使用的产品

### 可配插部件

描述	产品编号
1.00mm Pitch Premo-Flex FFC Jumpers	<u>15167</u>
1.00mm Pitch Premo-Flex FFC Jumpers	<u>15267</u>
1.00mm Pitch Premo-Flex FFC Jumpers	<u>98267</u>