



产品编号 : 524652271

系列号 : 52465

Product Category : Board-to-Board Connectors

Product Description : SlimStack Board-to-Board Connector, 0.80mm Pitch, Rigid Type Receptacle, 4.50 to 7.00mm Mated Height, Vertical, 22 Circuits, without Boss

状态 : Active

文件和资源

图纸

图纸 524652271_sd.pdf

3D 模型和设计文件

3D模型 524652271_stp.zip

规格

包装规格 SPK-52465-002-001.pdf


产品规格 PS-52465-010-001.pdf

产品规格 PS-52465-014-001.pdf

产品规格 PS-52465-015-001.pdf

产物环境合规

合规

GADSL/IMDS	Compliant with Exemption 44
China RoHS	
EU ELV	Not Relevant
Low-Halogen Status	Not Low-Halogen per IEC 61249-2-21
REACH SVHC	Not Contained per D(2023)8585-DC (23 Jan 2024)
EU RoHS	Compliant per EU 2015/863

多部分产品合规性声明

- Eu RoHS
- REACH SVHC
- Low-Halogen
- IPC 1752A Class C

- IPC 1752A Class D
- Molex Product Compliance Declaration
- IEC-62474
- chemSHERPA (xml)

欧盟 RoHS 合格证书

产品详情

常规

状态	活动
类别	Board-to-Board Connectors
系列	52465
说明	SlimStack Board-to-Board Connector, 0.80mm Pitch, Rigid Type Receptacle, 4.50 to 7.00mm Mated Height, Vertical, 22 Circuits, without Boss
产品系列	0.8 and above
应用	Board-to-Board, Signal
元件类型	PCB Receptacle
产品系列	SlimStack Board-to-Board/Board-to-FPC Connectors
产品名称	SlimStack
UPC	822348142989

电气

每触点最大电流	0.5A
电压 - 最大	50V

物理

回路数 (已载入)	22
电路数 (最多)	22
颜色-树脂	Natural
耐用性(插拔次数) - 最多次数	30
符合灼热丝规范	否
插配长度	4.50mm, 5.65mm, 6.00mm, 7.00mm
插配宽度	4.70mm, 5.10mm
材料 - 金属	Phosphor Bronze

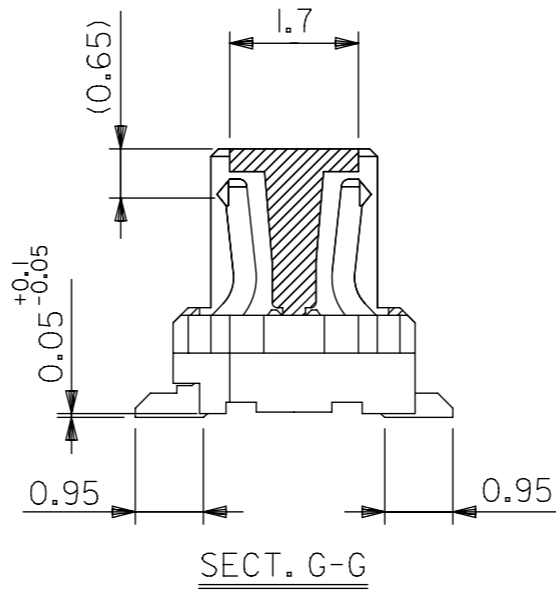
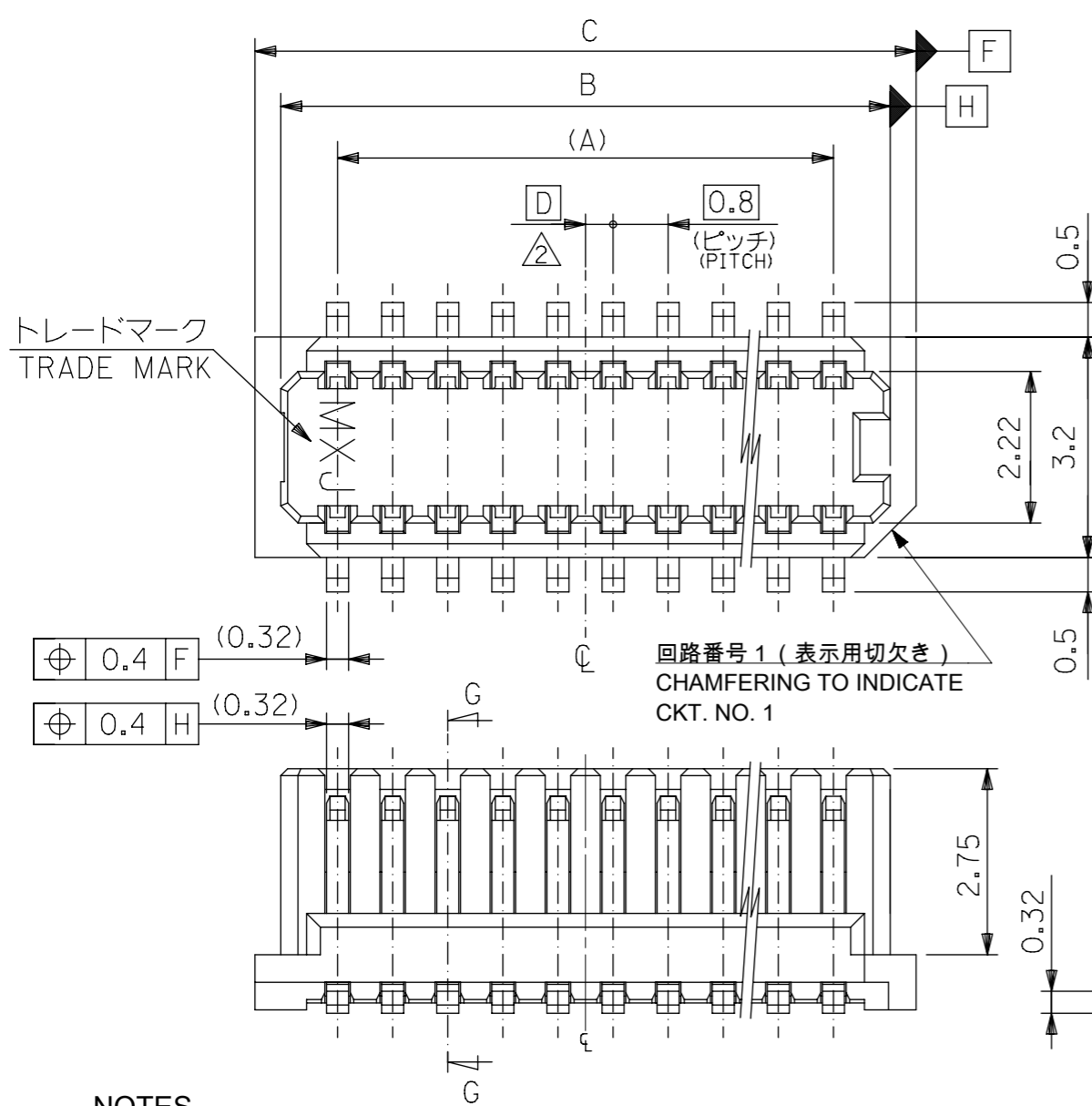
材料 - 接合部位电镀	Tin
材料 - 终端电镀	Tin
材料 - 树脂	High Temperature Thermoplastic
净重	227.100/mg
行数	2
方向	垂直
包装形式	Embossed Tape on Reel
PCB 定位器	否
PCB 保持力	无
推荐的 PCB 厚度	1.60mm
间距 - 插配接口	0.80mm
最薄镀层 - 接合部位	1.016 μ m
最薄镀层 - 端接	1.016 μ m
PCB 极性	否
运行温度范围	-40° to +105° C
终端界面类型	Surface Mount

可配插/可连接使用的产品

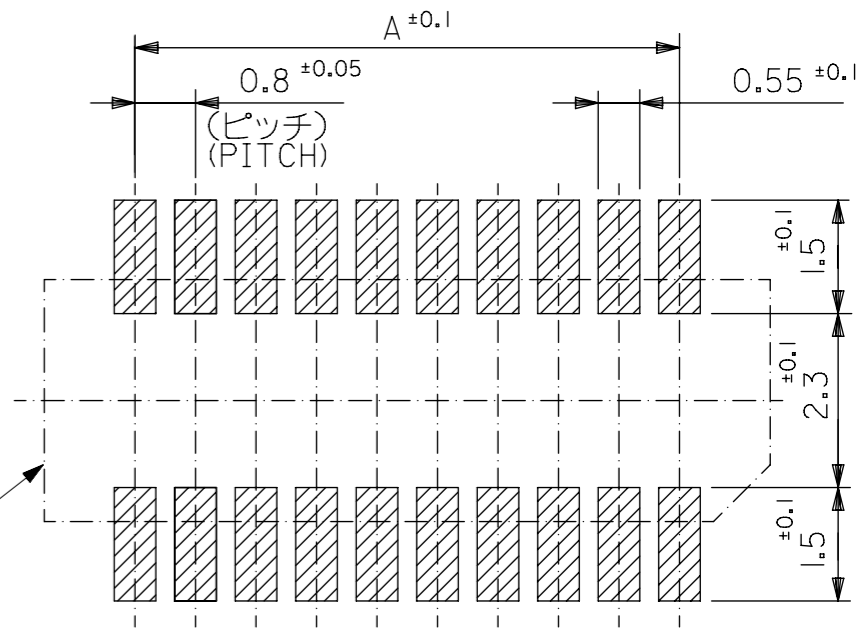
可配插部件

描述	产品编号
0.80mm Pitch Vertical SlimStack Plugs	<u>53307</u>
0.80mm Pitch Right-Angle SlimStack Plugs	<u>53309</u>
0.80mm Pitch Vertical SlimStack Plugs	<u>53353</u>

トレードマーク
TRADE MARK



コネクタ位置
CONNECTOR
POSITION



参考基板レイアウト (マウント面)
P.C.B. PATTERN LAYOUT (REF.) (MOUNT AREA)

回路番号 1 (表示用切欠き)
CHAMFERING TO INDICATE
CKT. NO. 1

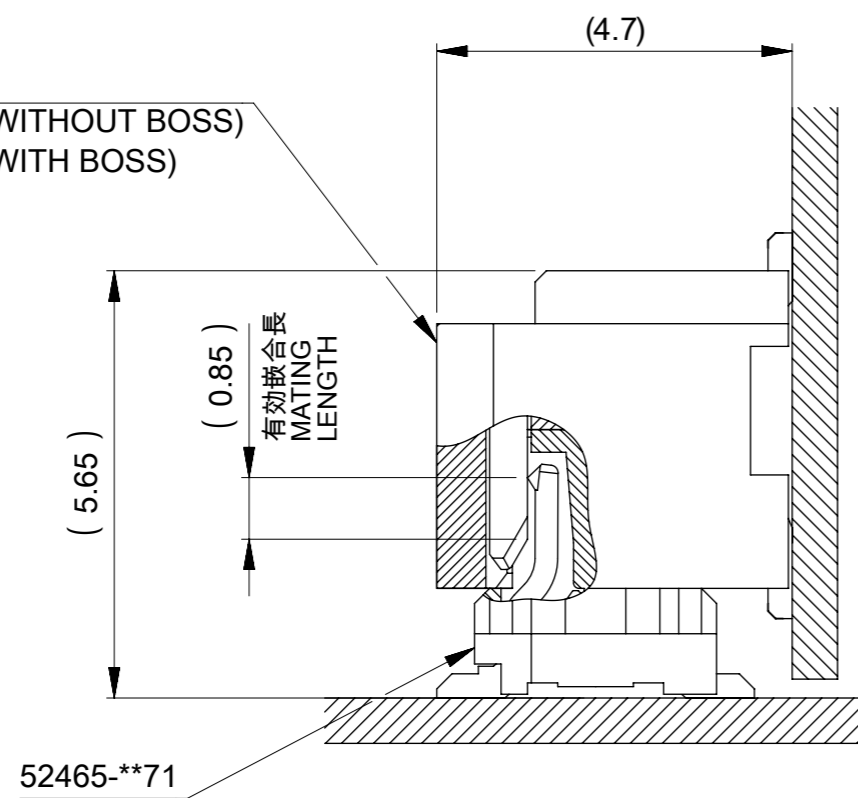
NOTES

1. 嵌合相手 : 53307, 53309シリーズ
MATE WITH : 53307, 53309 SERIES
2. ハウジングの ϕ から隣接するターミナルの ϕ 迄の位置を示す。
SHOW POSITION FROM ϕ OF HOUSING TO ϕ OF ADJACENT TERMINALS.
3. 一対の基板の嵌合に於いて、本製品を 2 個以上使用することは推奨できません。
MXJ DOES NOT RECOMMEND THE USAGE OF TWO OR MORE OF THESE CONNECTORS BETWEEN A SINGLE PAIR OF P.C.BOARD.
4. 本製品は 52465-**27の鉛フリー品である。
THIS PRODUCT IS LEAD FREE OF 52465-**27.
5. ELV及びRoHS適合品
ELV AND RoHS COMPLIANT.
6. 使用材料 MATERIAL
ハウジング HOUSING : POLYAMIDE GLASS FILLED, UL94V-0 (WHITE)
ターミナル TERMINAL : 燐青銅 PHOSPHOR BRONZE t=0.32
7. めっき仕様 PLATING
ターミナル TERMINAL : 錫めっき/ニッケル下地 TIN OVER NICKEL PLATED
8. テール平坦度は0.1mm MAX
TAIL COPLANALITY TO BE 0.1mm MAXIMUM.

0.4	17.6	16.85	15.2	52465-4071	40
0.4	16.0	15.25	13.6	52465-3671	36
0.4	14.4	13.65	12.0	52465-3271	32
0.8	13.6	12.85	11.2	52465-3071	30
0.4	12.8	12.05	10.4	52465-2871	28
0.8	12.0	11.25	9.6	52465-2671	26
0.4	11.2	10.45	8.8	52465-2471	24
0.8	10.4	9.65	8.0	52465-2271	22
0.4	9.6	8.85	7.2	52465-2071	20
0.8	8.8	8.05	6.4	52465-1871	18
0.4	8.0	7.25	5.6	52465-1671	16
0.8	7.2	6.45	4.8	52465-1471	14
0.4	6.4	5.65	4.0	52465-1271	12
0.8	5.6	4.85	3.2	52465-1071	10
D	C	B	A	EMBOSSED TAPE PACKAGE	CKT
ORDER NO					

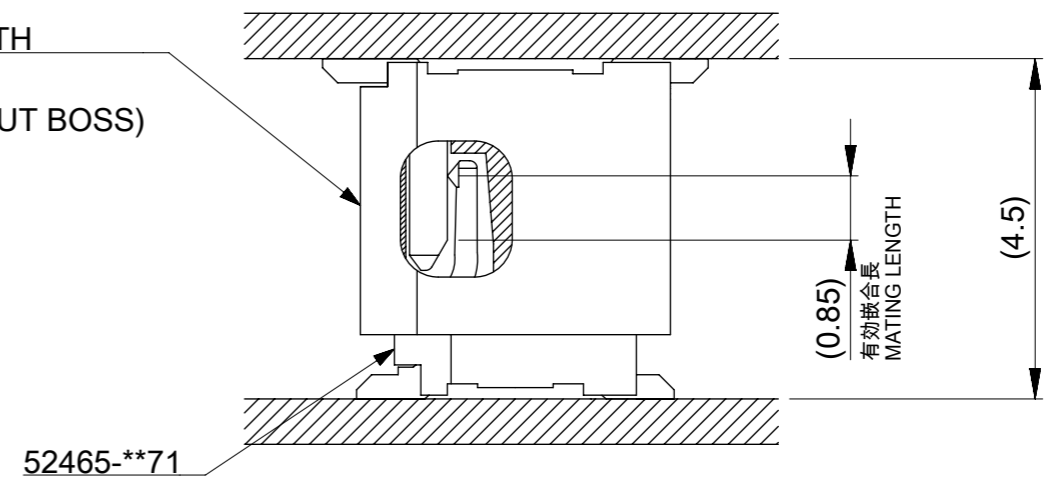
THIS DRAWING CONTAINS INFORMATION THAT IS PROPRIETARY TO MOLEX ELECTRONIC TECHNOLOGIES, LLC AND SHOULD NOT BE USED WITHOUT WRITTEN PERMISSION		CURRENT REV DESC:			
DIMENSION UNITS	SCALE	EC NO: 750938			
mm	10:1	DRWN: RAJAGN 2023/05/19		0.8 MM PITCH B-TO-B CONN. RECEPTACLE (WITHOUT BOSS)	
GENERAL TOLERANCES (UNLESS SPECIFIED)		CHK'D: HSHIMUYAMA 2023/05/25			
ANGULAR TOL ± 30°		APPR: YNAITO 2023/05/25		PRODUCT CUSTOMER DRAWING	
4 PLACES ± 0.2		INITIAL REVISION:		DOCUMENT NUMBER	
3 PLACES ± 0.25		DRWN: YSAKIYAMA 2004/02/23		SD-52465-028	
2 PLACES ± 0.3		APPR: MSASAO 2004/02/24		DOC TYPE DOC PART REVISION	
1 PLACE ±		THIRD ANGLE PROJECTION		PSD 001 C	
0 PLACES ±		DRAWING		SHEET NUMBER	
DRAFT WHERE APPLICABLE MUST REMAIN WITHIN DIMENSIONS		SERIES		GENERAL MARKET 1 OF 2	
		A3-SIZE			

嵌合相手 MATE WITH
 53309-**70 (BOSS無し WITHOUT BOSS)
 53309-**71 (BOSSあり WITH BOSS)



嵌合状態図 (参考)
 MATED DRAWING(REF.)

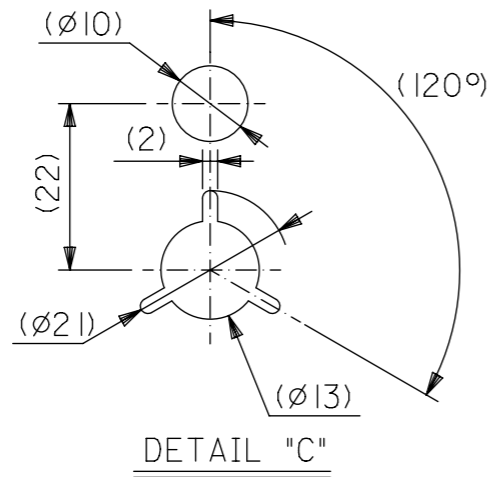
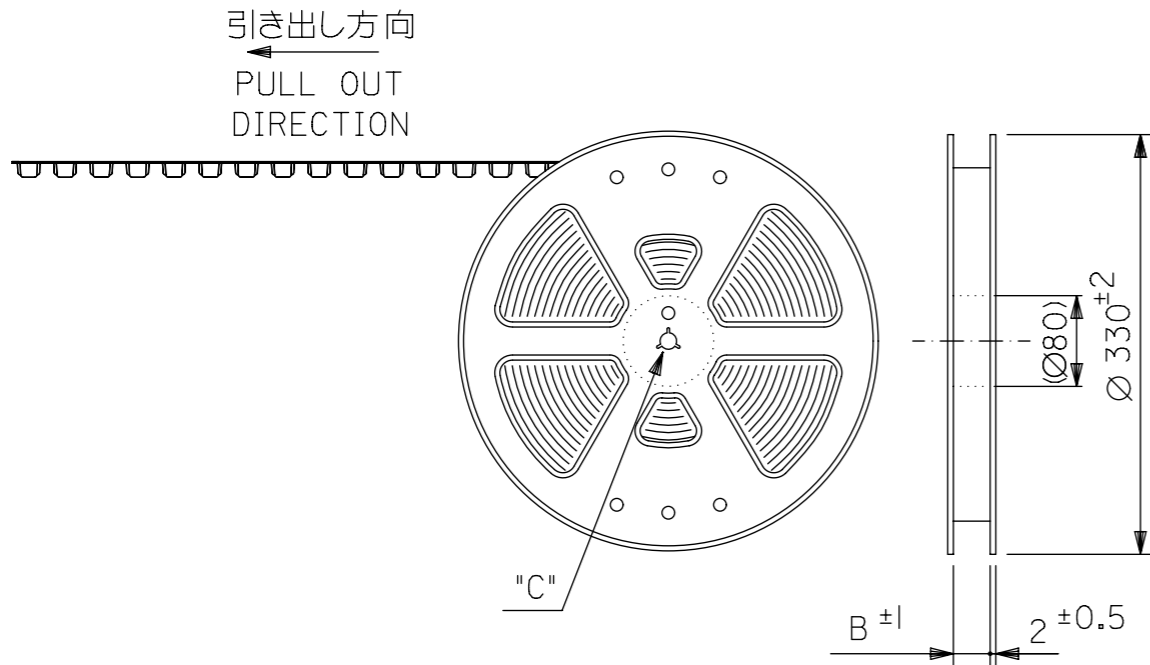
嵌合相手 MATE WITH
 53307-**71
 (BOSS無し WITHOUT BOSS)



嵌合状態図 (参考)
 MATED DRAWING(REF.)

THIS DRAWING CONTAINS INFORMATION THAT IS PROPRIETARY TO MOLEX ELECTRONIC TECHNOLOGIES, LLC AND SHOULD NOT BE USED WITHOUT WRITTEN PERMISSION

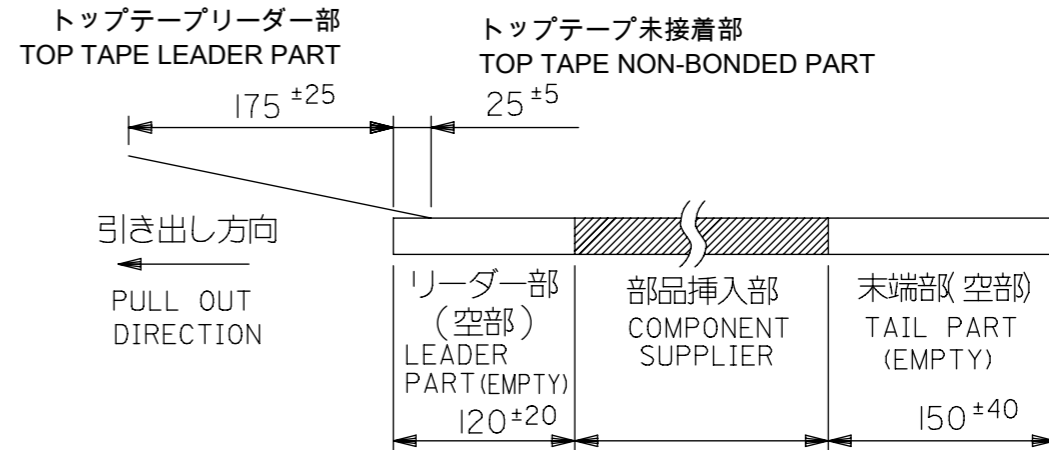
DIMENSION UNITS		SCALE		CURRENT REV DESC:		molex	
mm		1:1					
GENERAL TOLERANCES (UNLESS SPECIFIED)		ANGULAR TOL ± 30°		EC NO: 750938		0.8 MM PITCH B-TO-B CONN. RECEPTACLE (WITHOUT BOSS)	
4 PLACES ± 0.2		3 PLACES ± 0.25		DRWN: RAJAGN 2023/05/19		PRODUCT CUSTOMER DRAWING	
10 ^{UNDER} ± 0.2		2 PLACES ± 0.3		CHK'D: HSHIMOYAMA 2023/05/25		DOCUMENT NUMBER	
10 ^{OVER} ± 0.25		1 PLACE ±		APPR: YNAITO 2023/05/25		SD-52465-028	
30 ^{OVER} ± 0.3		0 PLACES ±		INITIAL REVISION:		DOC TYPE DOC PART REVISION	
ANGULAR±3°				DRWN: YSAKIYAMA 2004/02/23		PSD 001 C	
DRAFT WHERE APPLICABLE MUST REMAIN WITHIN DIMENSIONS		DRAFT WHERE APPLICABLE MUST REMAIN WITHIN DIMENSIONS		THIRD ANGLE PROJECTION		MATERIAL NUMBER	
				DRAWING		CUSTOMER	
				A3-SIZE		GENERAL MARKET	
				SERIES		SHEET NUMBER	
				52465		2 OF 2	



NOTES

1. 梱包数量 : 1000個/リール NUMBER OF CONNECTORS : 1000PCS/REEL

2. リードテープ長さ LEAD TAPE LENGTH



3. トップテープの剥離強度についてはIEC60286-3に準拠。
TOP TAPE PEEL FORCE IS DEFINED BY IEC60286-3.

4. 材料 キャリアテープ : ポリプロピレン (PP)
トップテープ : PET, PE, PEF
リール : ポリスチレン (PS) <リサイクル材を含む>

MATERIAL

CARRIER TAPE : POLYPROPYLENE

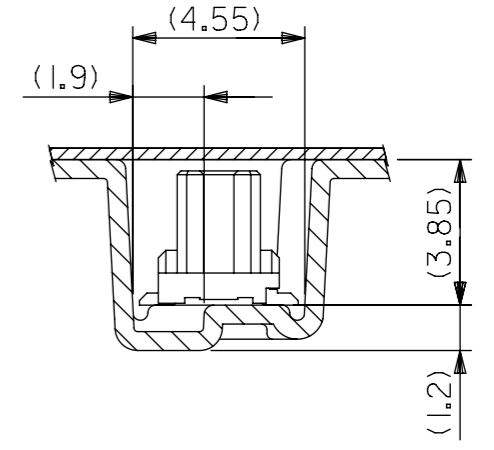
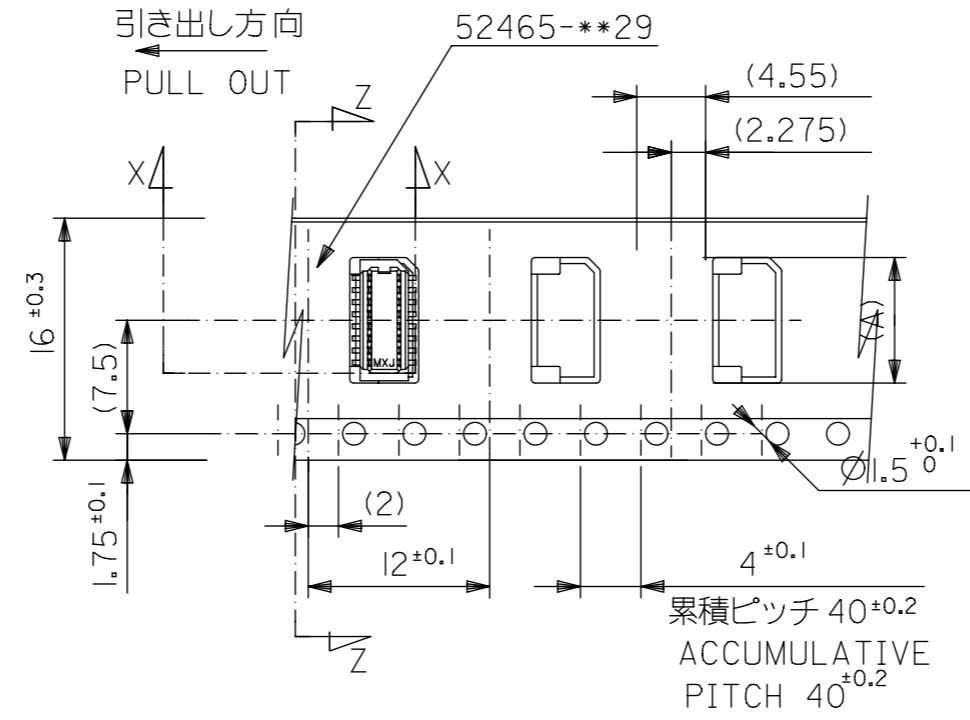
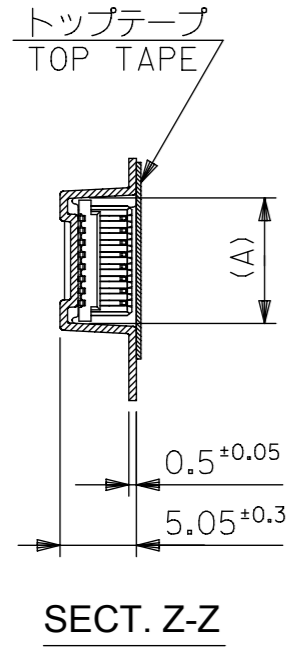
TOP TAPE : PET, PE, PEF

REEL : POLYSTYRENE (PS) < CONTAINED RECYCLE MATERIAL >

5. 本製品は52465-**91の鉛フリー品である。
THIS PRODUCT IS LEAD FREE OF 52465-**91.

THIS DRAWING CONTAINS INFORMATION THAT IS PROPRIETARY TO MOLEX ELECTRONIC TECHNOLOGIES, LLC AND SHOULD NOT BE USED WITHOUT WRITTEN PERMISSION

DIMENSION UNITS	SCALE	CURRENT REV DESC:	
mm	NTS		
GENERAL TOLERANCES (UNLESS SPECIFIED)		molex	
ANGULAR TOL ±		0.8 MM PITCH B-TO-B CONN. RECEPTACLE (WITHOUT BOSS) EMBOSS TAPE PACKAGE	
4 PLACES ±		PRODUCT CUSTOMER DRAWING	
3 PLACES ±		DOCUMENT NUMBER	
2 PLACES ±		SD-52465-029	
1 PLACE ±		DOC TYPE	
0 PLACES ±		PSD	
ANGULAR+3°		DOC PART	
DRAFT WHERE APPLICABLE MUST REMAIN WITHIN DIMENSIONS		001	
DRAFT WHERE APPLICABLE MUST REMAIN WITHIN DIMENSIONS		REVISION	
THIRD ANGLE PROJECTION		A	
DRAWING		SERIES	
A3-SIZE		52465	
MATERIAL NUMBER		CUSTOMER	
GENERAL MARKET		SHEET NUMBER	
1 OF 3			

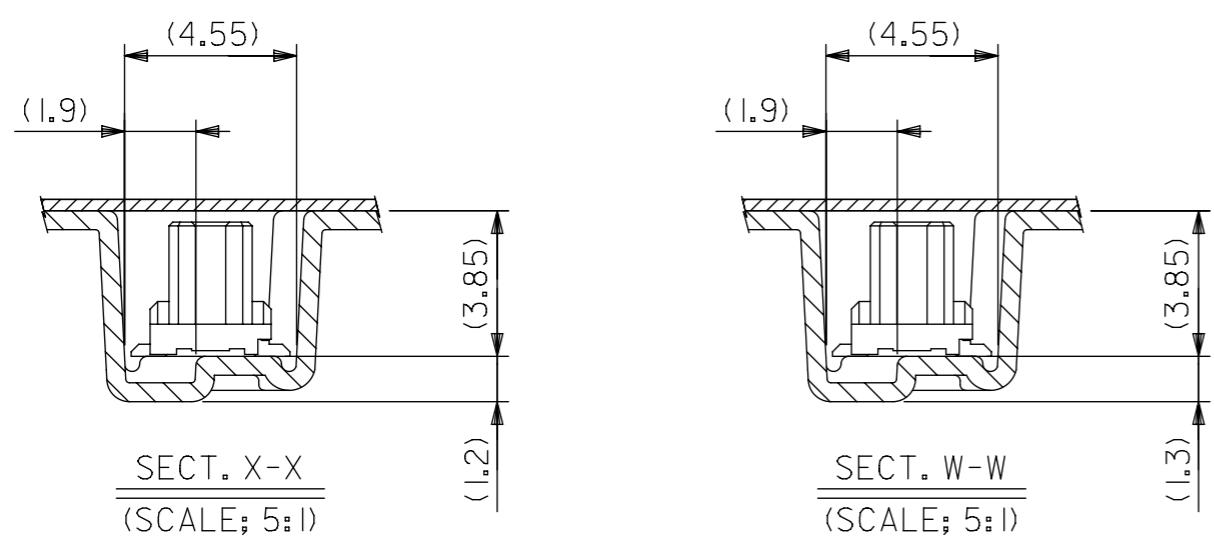
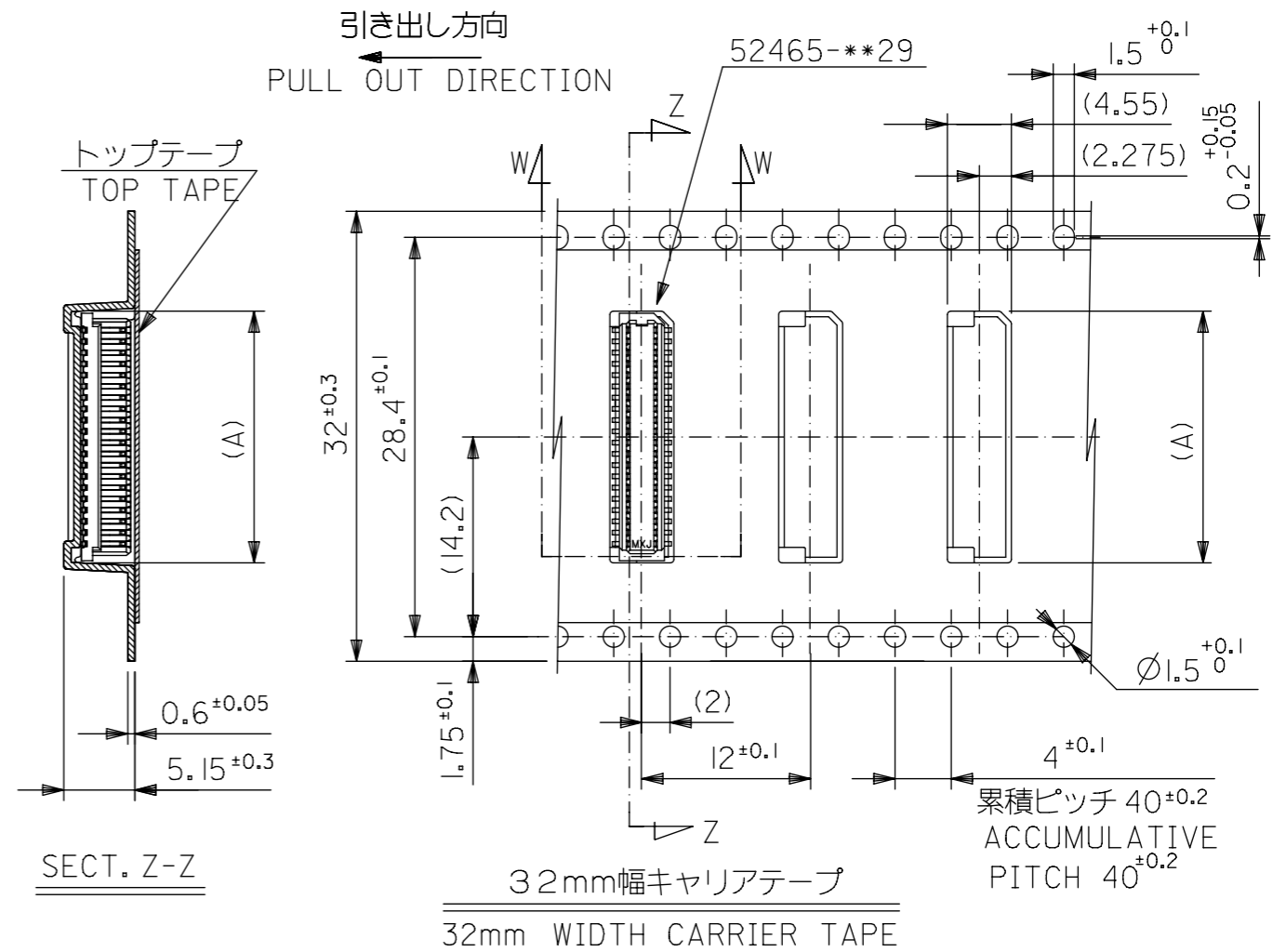
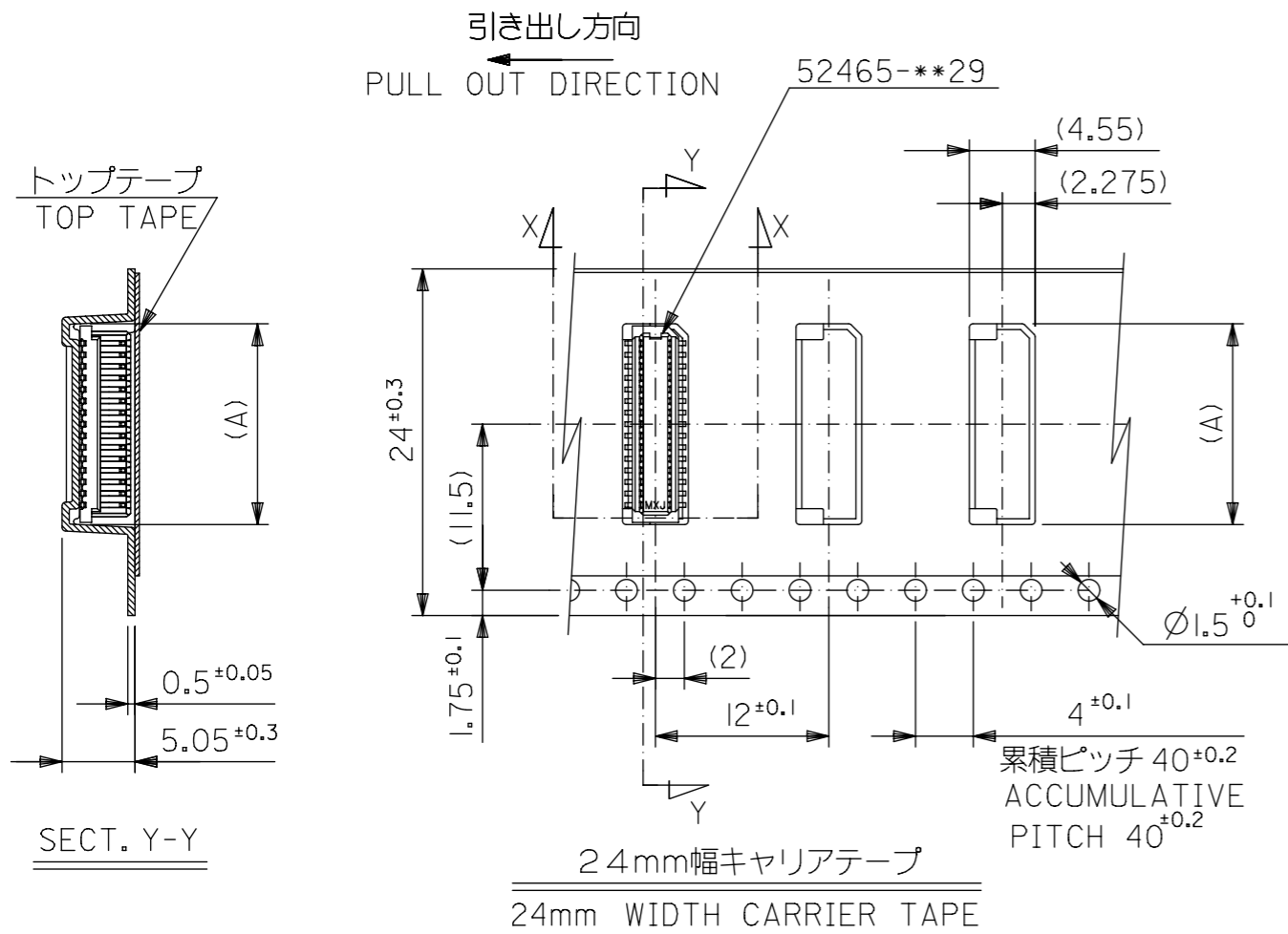


16mm幅キャリアテープ
16mm WIDTH CARRIER TAPE

16	17.5	9.1	52465-1871	18	
		8.3	52465-1671	16	
		7.5	52465-1471	14	
		6.7	52465-1271	12	
		5.9	52465-1071	10	
キャリアテープ幅 CARRIER TAPE WIDTH		B	(A)	EMBOSSED TAPE PACKAGE	極数 CIRCUITS
				ORDER NO	

THIS DRAWING CONTAINS INFORMATION THAT IS PROPRIETARY TO MOLEX ELECTRONIC TECHNOLOGIES, LLC AND SHOULD NOT BE USED WITHOUT WRITTEN PERMISSION

DIMENSION UNITS	SCALE	CURRENT REV DESC:	molex			
mm	NTS					
GENERAL TOLERANCES (UNLESS SPECIFIED)		EC NO: 653700	0.8 MM PITCH B-TO-B CONN. RECEPTACLE (WITHOUT BOSS) EMBOSS TAPE PACKAGE			
ANGULAR TOL ±		DRWN: AHMADI2 2021/02/02				
4 PLACES ±		CHK'D: HSHIMUYAMA 2021/02/26	PRODUCT CUSTOMER DRAWING			
3 PLACES ±		APPR: SHOSHIKAWA 2021/02/26				
2 PLACES ±		INITIAL REVISION:	DOCUMENT NUMBER	DOC TYPE	DOC PART	REVISION
1 PLACE ±		DRWN: YSAKIYAMA	SD-52465-029	PSD	001	A
0 PLACES ±		APPR: MSASAO	MATERIAL NUMBER	CUSTOMER	SHEET NUMBER	
DRAFT WHERE APPLICABLE MUST REMAIN WITHIN DIMENSIONS		THIRD ANGLE PROJECTION	A3-SIZE	52465	GENERAL MARKET	2 OF 3



32	33.5	17.9	52465-4071	40
24	25.5	16.3	52465-3671	36
		14.7	52465-3271	32
		13.9	52465-3071	30
		13.1	52465-2871	28
		12.3	52465-2671	26
		11.5	52465-2471	24
		10.7	52465-2271	22
		9.9	52465-2071	20
キャリアテープ幅 CARRIER TAPE WIDTH	B	(A)	EMBOSSED TAPE PACKAGE	極数 CIRCUITS
			ORDER NO	

THIS DRAWING CONTAINS INFORMATION THAT IS PROPRIETARY TO MOLEX ELECTRONIC TECHNOLOGIES, LLC AND SHOULD NOT BE USED WITHOUT WRITTEN PERMISSION

DIMENSION UNITS	SCALE	CURRENT REV DESC:	molex				
mm	NTS						
GENERAL TOLERANCES (UNLESS SPECIFIED)		EC NO: 653700	0.8 MM PITCH B-TO-B CONN. RECEPTACLE (WITHOUT BOSS) EMBOSS TAPE PACKAGE				
ANGULAR TOL ±		DRWN: AHMADI2 2021/02/02					
4 PLACES ±		CHK'D: HSHIMOYAMA 2021/02/26	PRODUCT CUSTOMER DRAWING				
3 PLACES ±		APPR: SHOSHIKAWA 2021/02/26					
2 PLACES ±		INITIAL REVISION:	DOCUMENT NUMBER	DOC TYPE	DOC PART	REVISION	
1 PLACE ±		DRWN: YSAKIYAMA 2004/02/23	SD-52465-029	PSD	001	A	
0 PLACES ±		APPR: MSASAO 2004/02/24	MATERIAL NUMBER	CUSTOMER	SHEET NUMBER		
DRAFT WHERE APPLICABLE MUST REMAIN WITHIN DIMENSIONS	DRAFT WHERE APPLICABLE MUST REMAIN WITHIN DIMENSIONS	THIRD ANGLE PROJECTION	A3-SIZE	SERIES	52465	GENERAL MARKET	3 OF 3